

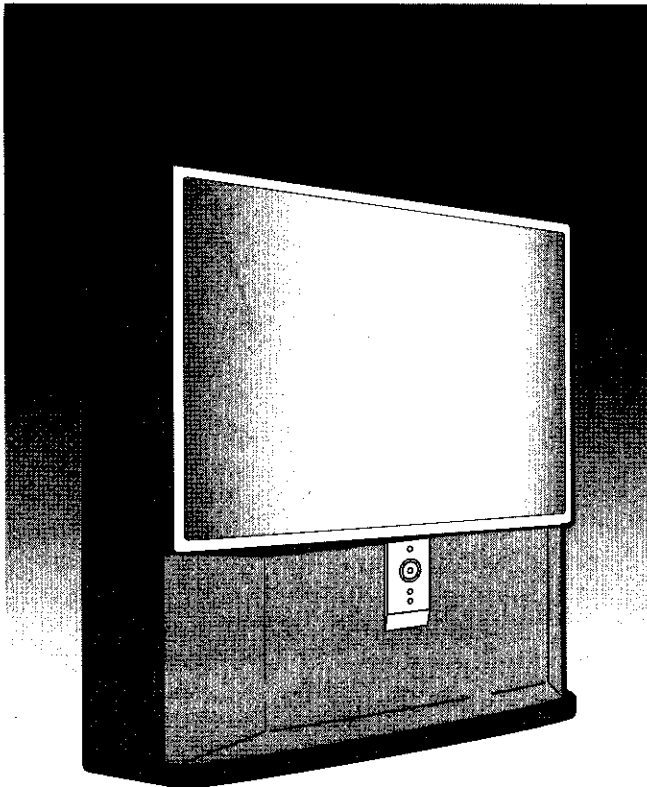
SAMSUNG

PROJECTION TV RECEIVER

Chassis : P51A
Model: HCJ552WX/XAA

SERVICE *Manual*

PROJECTION TV RECEIVER



CONTENTS

1. Precautions
2. Reference Information
3. Specifications
4. Alignment and Adjustments
5. Troubleshooting
6. Exploded View and Parts List
7. Electrical Parts List
8. Block Diagrams
9. Wiring Diagram
10. Schematic Diagrams

4. Alignment and Adjustments

4-1 When entering the service mode:

1. Turn on the TV, and then select "STANDARD" on the picture adjustment mode.
2. Turn off the TV (STAND-BY).
3. Enter the service mode by pressing the remote control keys in the following sequence :
MUTE →1→8→2→Power On

Note : If necessary, re-do steps 1~3.

Initial display when the service mode is switched.

1. When a RF signal is received

SERVICE NORMAL 480P

GEOMETRICS

PICTURE

PICTURE2

SOUND

PIP

OPTION

READ

RESET

2. When a DTV signal is received

SERVICE NORMAL 1080i

GEOMETRICS

PICTURE

PICTURE2

SOUND

PIP

OPTION

READ

RESET

3. When the PC mode is switched

MAIN MENU
ZOOM
COMPRESS
FREEZE
SET UP
RESET
EXIT

4. Service Mode Control Keys

MAIN MENU	MENU DISPLAY
CH UP/DOWN	Select item by moving cursor
VOL UP/DOWN	Decrease or increase the adjustment values

Note : The PC mode can be switched to the service mode by pressing the F.Mode Key (only on the factory remote control).

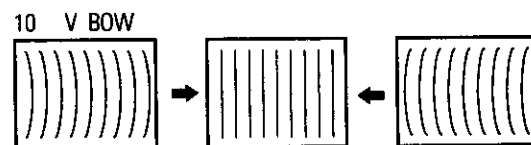
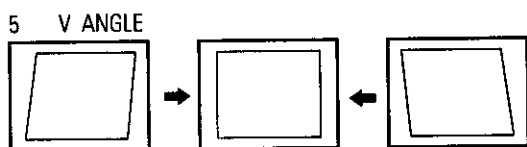
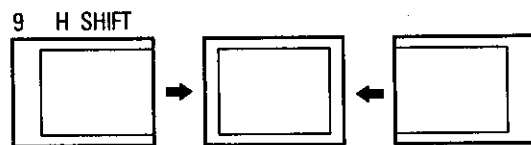
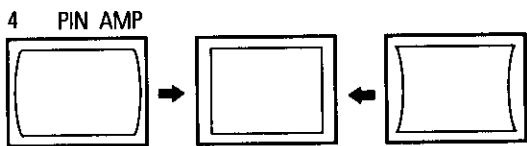
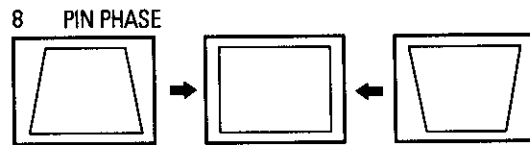
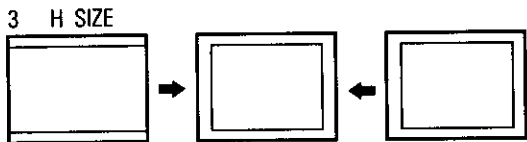
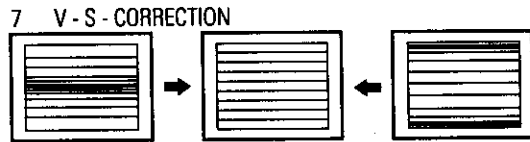
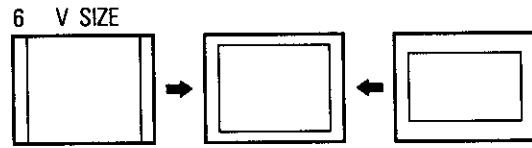
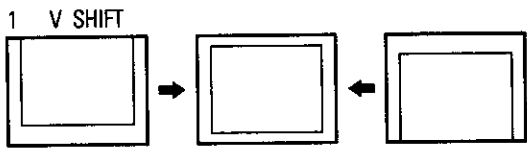
NORMAL 480P

ITEM	FUNCTION	INITIAL VALUE	ITEM	FUNCTION	INITIAL VALUE
GEOMETRIC					
VS	V-SHIFT	132	HEH	H-EHT	0
VA	V-SIZE	47	HS	H-SHIFT	95
VL	V-LINE	114	VAN	V-ANGLE	131
VSC	V-S-CORR	104	VBO	V-BOW	128
VE	V-EHT	0	HSP	H-SYC-PH	143
HA	H-SIZE	102	VS4	VSHIFT480	150
PPH	PIN-PHS	100	VA4	VSIZE480	20
PAM	PIN-AMP	100	HS4	HSHIFT480	73
UPC	UP-CORR	128	HA4	HSIZE480	102
LOC	LO-CORR	128	HP4	HSP480	133
PICTURE					
DRI	DRIVE-L	32	RCT	R-CUT OFF	8
SBR	SUB-BRT	11	GCT	G-CUT OFF	8
RDR	R-DRIVE	32	BCT	B-CUT OFF	8
GDR	G-DRIVE	32	GAM	GAMMA	12
BDR	B-DRIVE	32	ABL	P-ABL	15
PICTURE2					
SHU	SUB-HUE	6	R2L	RGB-2L	8
SBR	SUB-BRT	7	SHP	SUB-SHP	2
R-R	-	2	SFO	SHP-FO	2
R-B	-	8	POV	PRE-OVER	3
G-R	-	9	NRL	NR-LBL	1
G-B	-	10	DCT	DC-TRAN	3
CN1	SUB-CT1	8	D-N	D-NAMIC	2
CR1	SUB-CR1	8	CEC	CEC-LBL	3
CN2	SUB-CT2	12	VML	VM-LBL	1
CR2	SUB-SR2	4	ABL	ABL-LBL	2
R1L	RGB-1L	8			
SOUND					
STEREO	-	7	ALIGN1	-	10
SAP	-	7	ALIGN2	-	0
LEVEL	-	14	ALIGN3	-	0
PIP					
CONTRAST	-	7			
POS-HOR	-	61			
POS-VER	-	34			
OPTION					
BYTE 0 :	-	10			
BYTE 1 :	-	00			

SERVICE 1080i

ITEM	FUNCTION	INITIAL VALUE	ITEM	FUNCTION	INITIAL VALUE
GEOMETRIC					
VS	V-SHIFT	128	HEH	H-EHT	0
VA	V-SIZE	65	HS	H-SHIFT	87
VL	V-LINE	114	VAN	V-ANGLE	131
VSC	V-S-CORR	104	VBO	V-BOW	128
VE	V-EHT	0	HSP	H-SYC-PH	141
HA	H-SIZE	134	VS4	VSHIFT480	150
PPH	PIN-PHS	100	VA4	VSIZE480	20
PAM	PIN-AMP	100	HS4	HSHIFT480	73
UPC	UP-CORR	128	HA4	HSIZE480	102
LOC	LO-CORR	128	HP4	HSP480	133
PICTURE					
DRI	DRIVE-L	32	RCT	R-CUT OFF	8
SBR	SUB-BRT	11	GCT	G-CUT OFF	8
RDR	R-DRIVE	32	BCT	B-CUT OFF	8
GDR	G-DRIVE	32	GAM	GAMMA	12
BDR	B-DRIVE	32	ABL	P-ABL	15
PICTURE2					
SHU	SUB-HUE	6	R2L	RGB-2L	8
SBR	SUB-BRT	7	SHP	SUB-SHP	2
R-R	-	2	SFO	SHP-FO	2
R-B	-	7	POV	PRE-OVER	3
G-R	-	8	NRL	NR-LBL	1
G-B	-	11	DCT	DC-TRAN	3
CN1	SUB-CT1	8	D-N	D-NAMIC	2
CR1	SUB-CR1	8	CEC	CEC-LBL	3
CN2	SUB-CT2	14	VML	VM-LBL	1
CR2	SUB-SR2	6	ABL	ABL-LBL	2
R1L	RGB-1L	8			
SOUND					
STEREO	-	7	ALIGN1	-	10
SAP	-	7	ALIGN2	-	0
LEVEL	-	14	ALIGN3	-	0
PIP					
CONTRAST	-	7			
POS-HOR	-	61			
POS-VER	-	34			
OPTION					
BYTE 0 :	-	10			
BYTE 1 :	-	00			

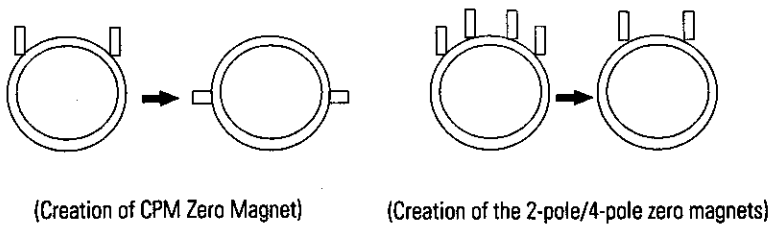
4-2 Screen Change (When adjusting I²C Bus Geometric items)



4-3 Beam Alignment

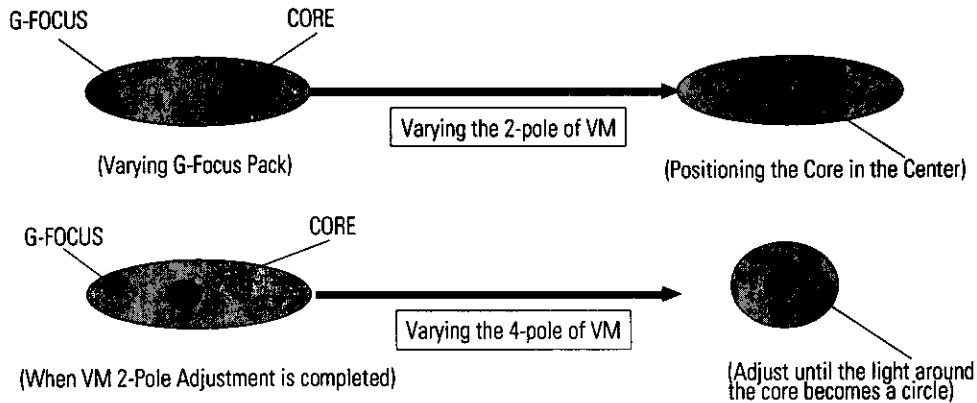
PRECAUTION

1. Input a crosshatch and dot pattern.
2. Select the "STANDARD" video mode.
3. Warm up the TV for at least 10 minutes.
4. Connect an audio oscillator to the pin jig between GT401~GT402 (located on the deflection PCB) and GND.
5. Determine the ZERO-magnet area (using the beam-alignment CY)
6. Check the squarewave at the point where the focus is misaligned (Use an audio oscillator).



ADJUSTMENT

1. Cover the Red and Blue lenses.
2. Adjust the Green lens as shown in the figures below



3. Adjust the G-Focus until any light around the core disappears.
4. Cover the Green and Blue lenses.
5. Adjust the Red lens using the same method as with the Green lens.
6. Note: The Blue lens is not adjusted because its focus varies little (VM-coil is installed).
7. After the adjustments are completed, disconnect the jig pin connector.

4-4 Other Adjustments

4-4-1 Screen Adjustment

1. Warm up the TV for at least 30 minutes.
2. Turn to the Video Mode (No Signal) using a remote-control.
3. Connect an oscilloscope to RK,GK,BK.
4. Adjust the VR (VR501, VR531, VR561) screen so that RK, GK, BK pulse is 20Vp-p each. (Turn the R,G,B VR screen fully counterclockwise in the area of each flyback line.)

4-4-2 White Balance Adjustment

1. Select the "STANDARD" video mode.
2. Input 100% white pattern.
3. In the stand-by mode, press the remote-control keys in the following sequence:
Mute → 1 → 8 → 2 → Power ON
4. Warm up the TV for at least 30 minutes.
5. Input a 10-step signal.
6. R-cut off, B-cut off, and G-cut off by pressing the Volume +/- keys.
7. Adjust the low light with viewing the dark side of the screen.
8. Select R-drive, G-drive, and B-drive by pressing the Volume +/- keys.
9. Adjust the high light with viewing the light side of the screen.
10. If necessary, redo adjustments 6~9.
11. Press the Menu key to exit.

4-4-3 Sub-Brightness Adjustment

1. Input a sub-brightness adjustment signal. (TOSHIBA PATTERN)
2. In the stand-by mode, press the remote-control keys in the following sequence :
Mute - 1 - 8 - 2 - Power ON
3. Select SBT by pressing the Volume +/- keys.
4. Adjust so that the 7th step on the right side of the screen is not seen (Use the Volume +/- keys).
5. Press the Menu key to exit.

4-4-4 High Voltage (31KV) Check

PRECAUTION

1. Input a lion head pattern.
2. Select "STANDARD" video mode.
3. Warm up the TV for at least 10 minutes.
4. Use a 1000:1 probe.

ADJUSTMENT

1. Connect the (+) terminal of the 1000:1 probe to the high voltage distributor and the (-) terminal to GND (located on the deflection board).
2. Adjust VR471 (located on the deflection board) so that the digital meter indicates DC 31V ± 0.1V.

4-4-5 F.S. (Fail Safe) Circuit Check

Note : The F.S. Circuit check must be performed after servicing.

1. Turn on the TV.
2. Select the "STANDARD" video mode.
3. Short GT18, GT17 (located on the Convergence PCB). Then, both sound and picture disappear. (Note: Even if the shorted terminals are removed, both sound and picture do not appear. This proves the F.S. circuit is working.)
4. To restore both sound and picture, turn off the TV and reset it after about 30 seconds.

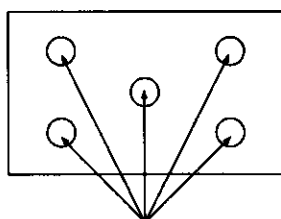
4-4-6 Static Focus Adjustment

PRECAUTION

1. Select the "STANDARD" video mode.
2. Input a crosshatch pattern.
3. Cover the lenses that are not being adjusted.
4. Connect a convergence jig and read data.
5. Adjust the lens for best focus. (See Fig. 4-1, next page)

STATIC FOCUS (CONTINUED)

Vary the focus pack VR (Red, Blue) on the front cabinet. Adjust the TV for best possible focus around the center of the crosshatch pattern, without losing overall screen balance. Figure Crosshatch Pattern
Examine these points together.



Examine these points together

Fig. 4-1 Crosshatch Pattern.

4-4-7 Lens Focus Adjustment

PRECAUTIONS

1. Do this adjustment after the static focus adjustment and the tilt adjustment.
2. Select the "STANDARD" video mode. (Contrast:64, Brightness:32)
3. Input a crosshatch pattern.

ADJUSTMENT

1. Loosen the lens screws.
2. Cover the two lenses that are not being adjusted.
3. Adjust the lens, observing the color aberration vertically and horizontally within 3 blocks of the center of the crosshatch pattern.
4. When the lens is turned clockwise, the color aberration will change as follows:

Lens	Color Aberration Change
R	Orange - Crimson
G	Blue - Red
B	Purple - Green

5. Green lens adjustment:
Set the lens at the point where Blue just changes to Red. If the color aberration is irregular throughout the picture screen, adjust the lens to show Red color aberration (approximately 1~3 mm area) within a 3-block grid around the horizontal center-line. If the color aberration is irregular, adjust the lens as shown in the diagram below. (Accurate alignment of Green is important for overall color quality.)
6. Red lens adjustment
Set the Red lens at the point where Orange becomes Crimson.
7. Blue lens adjustment
Set the Blue lens at the point where Purple becomes Green.

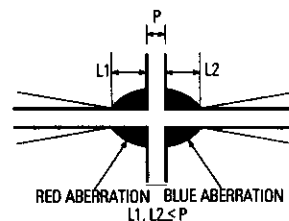


Fig. 4-2 Color Aberration

4-4-8 Horizontal Dynamic Focus Adjustment

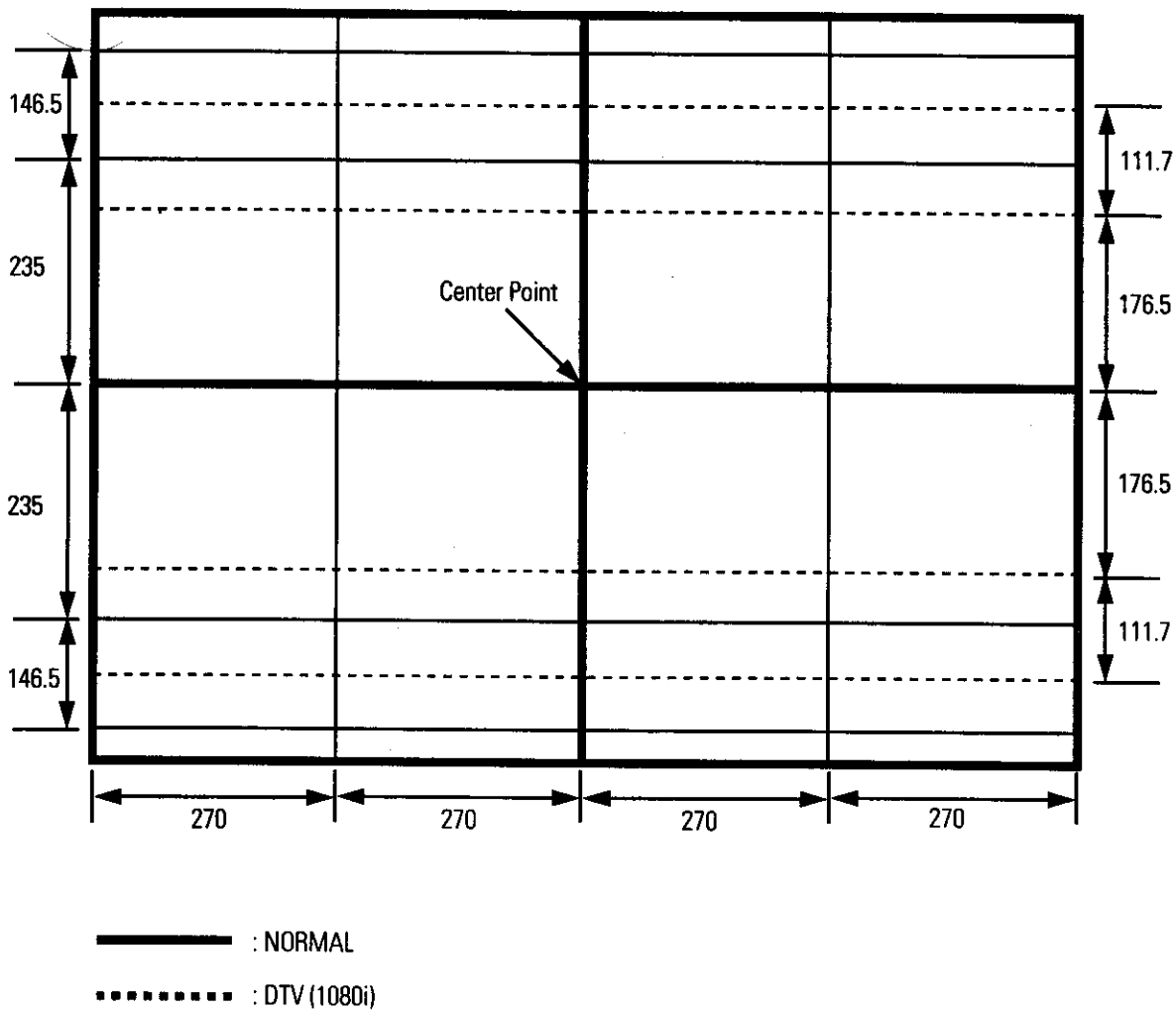
PRECAUTION

1. Input a crosshatch pattern.
2. Select the "STANDARD" video mode.
3. Warm up the set for at least 10 minutes.

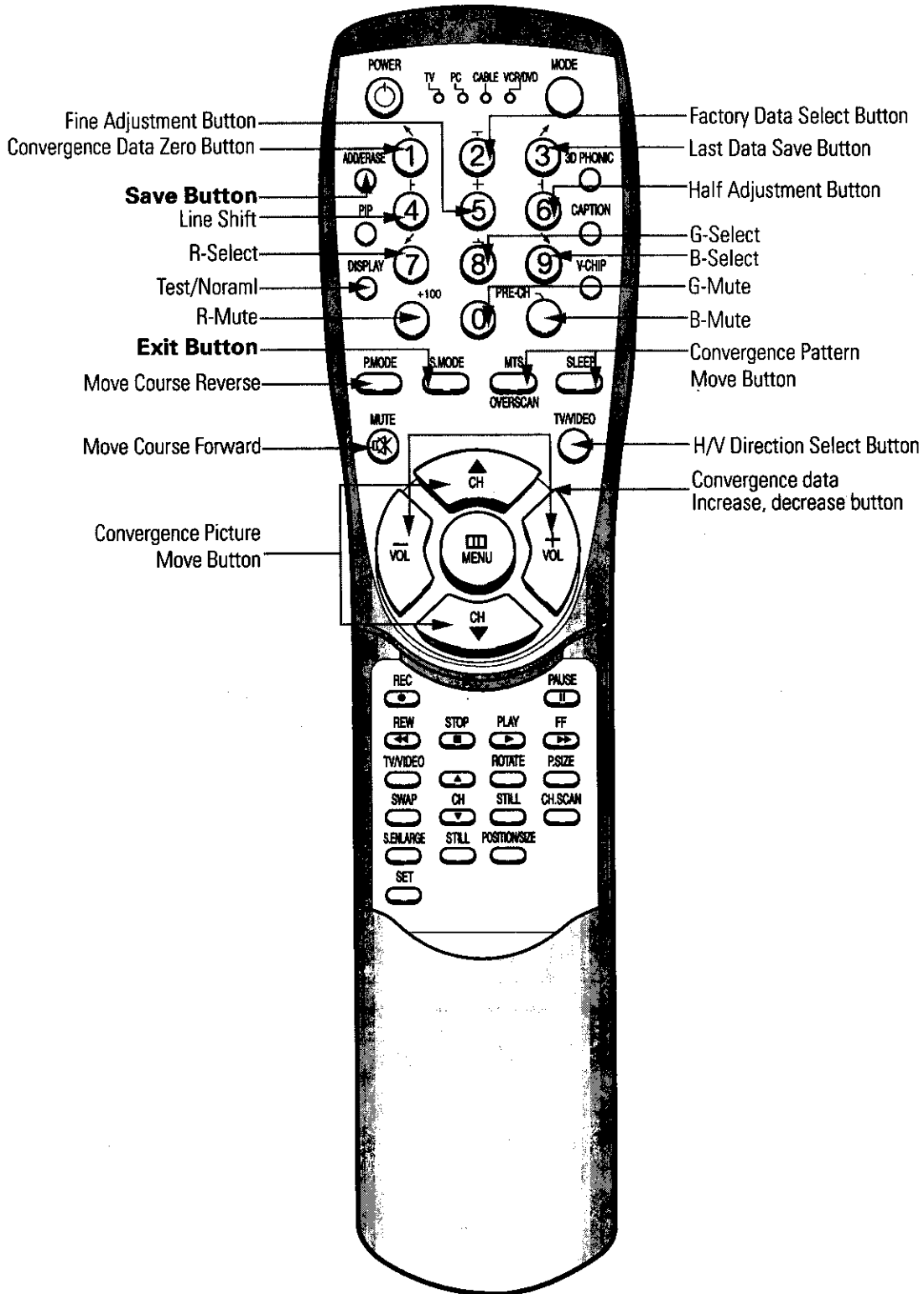
ADJUSTMENT

1. Cover the Red and Blue lenses.
2. Adjust VR491 (located on the convergence PCB, H-Parabola).
3. Balance the left and right sides of the dynamic focus lines.












4-5 Screen-Jig





4-5 Remote Control for Servicing (Convergence Mode)





4-5-1 KEY Function


1. R-SELECT 
Press to select RED color.
2. G-SELECT 
Press to select GREEN color.
3. B-SELECT 
Press to select BLUE color.
4. R-MUTE 
Press to mute RED color.
5. G-MUTE 
Press to mute GREEN color.
6. B-MUTE 
Press to mute BLUE color.
7. CANCEL KEY 
Press to revert to the previous data during the Convergence Adjustment.
8. FINE/COARSE SELECT BUTTON 
Press for minor adjustment.
If the width of the big-adjustment step is 1, then the width of the minor adjustment step is 0.5.
9. TEST/NORMAL 
Press to check TV mode in the Convergence Mode.
10. LINE SHIFT 
Press to move a line up/down or left/right.
11. FACTORY DATA SELECT BUTTON 
Press to call the factory default values.

12. H/V DIRECTION SELECT BUTTON 
 Press to switch the cursor direction horizontally or vertically.

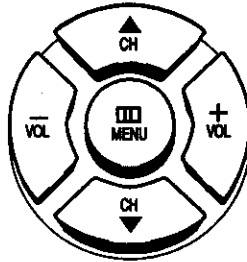
13. SAVE BUTTON 
 After the Convergence Adjustments are completed, press to save data.



14. EXIT BUTTON 
 After the Convergence adjustments are completed, press to exit to TV mode.

15. MOVE CURSOR FORWARD 
 Press to move the cursor right or down.


16. MOVE CURSOR REVERSE 
 Press to move the cursor left or up.

17. CONVERGENCE PICTURE MOVE BUTTON



18. CONVERGENCE PATTERN MOVE BUTTON
 Press to move the convergence pattern left () or right ().

19. CONVERGENCE DATA ZERO BUTTON 
 Press to zero the convergence correction data.

20. HALF ADJUSTMENT BUTTON 
 After big adjustments are made, press for improvement of minor adjustment.

4-6 Convergence Adjustment


1. Warm up the TV for at least 30 minutes.
2. Input an NTSC Signal. (Use an antenna or AV source.)



Make sure that both deflection and convergence yokes are properly adjusted so that the center of Green, Red, Blue pattern is aligned on the center of screen jig.

3. Enter the Convergence Mode by pressing the remote control keys in the following sequence:

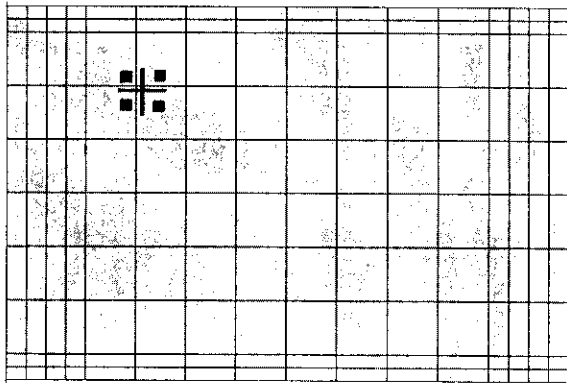


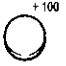
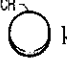

If OSD is displayed as shown in figure below, press the  key to exit.

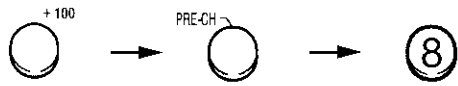




Then, redo step 3 to enter the Convergence Mode.

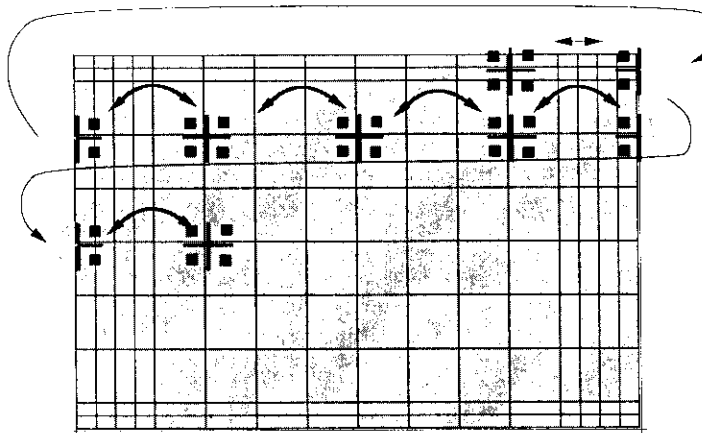
After entering the Convergence Mode, Stand by for about five seconds before doing the adjustments.




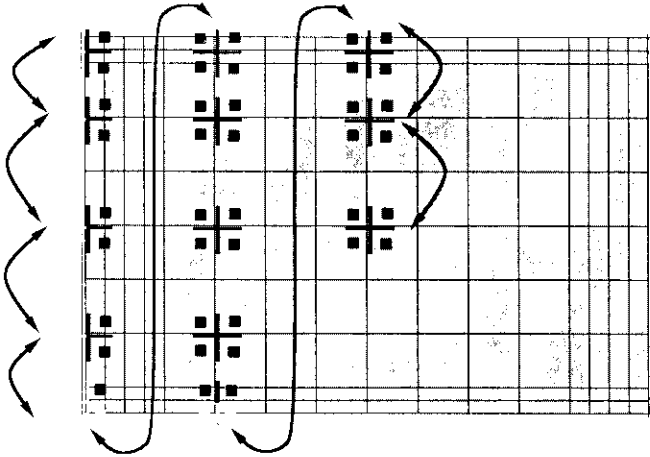
4. To adjust GREEN, first press the  and the  keys, and then press the  key.





5. The  key moves the cursor right, and the  key moves the cursor left.

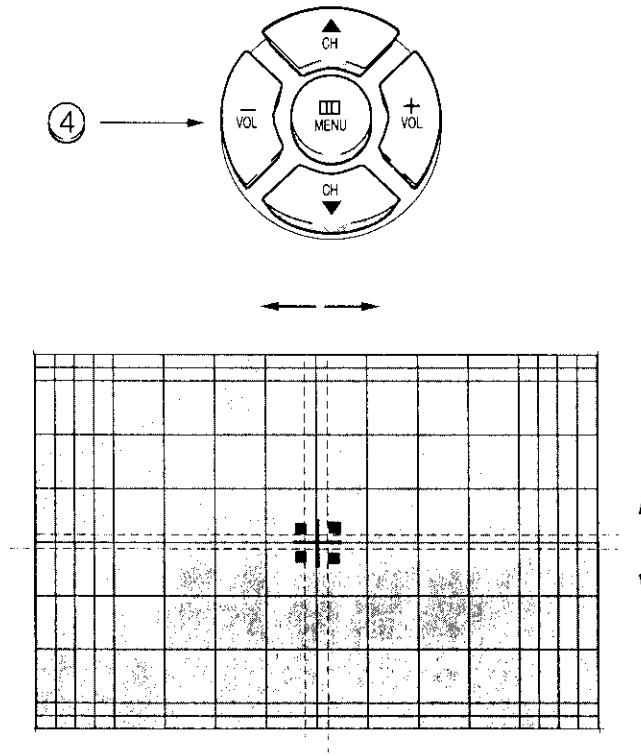



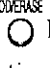
6. The ^{TV/VIDEO}  key moves the cursor horizontally or vertically.



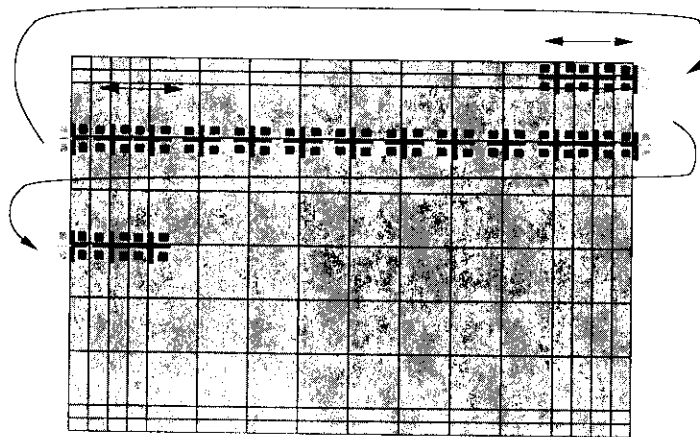
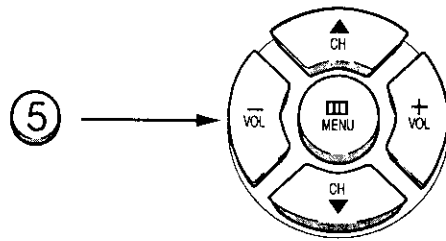
When the ^{TV/VIDEO}  key is pressed once again, the cursor moves horizontally.

7. Use the  key for overall balance.

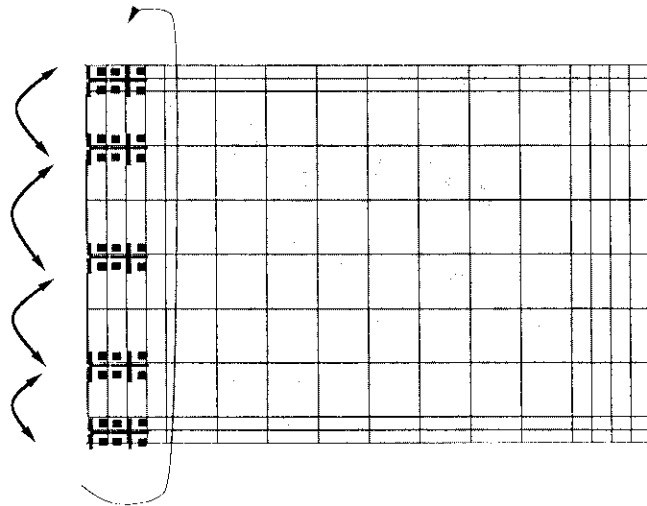



8. After the Line Shift is cancelled by pressing the  key, use the Channel and Volume keys (Up/Down) to make big adjustments.
9. After the green convergence adjustments are completed, press the  key to save the data (The minor adjustments can be done only when adjusting Red and Blue).




10. Superimpose the Red and Green colors by pressing the O^{+100} and the 7 keys.
11. To adjust RED, redo steps 5~8.
12. Use the 5 key to make minor adjustments.
(Or the 6 key can be used for minor adjustment.)



Cursor Movement (when making minor adjustments)



When the cursor moves vertically 

13. To superimpose the blue and green colors, press (1) the  key for R-Mute, (2) the  key to cancel the B-Mute, and (3) the  key for B-select.

14. To adjust BLUE, redo steps 5 ~ 8, 12.

15. If any color is not properly adjusted when displaying the red, blue and green colors, readjust the color.

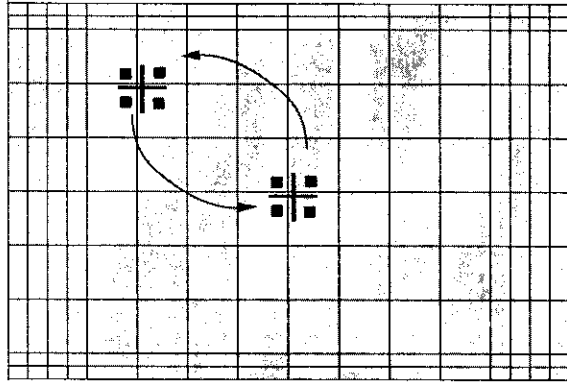


When readjusting a color, enter the minor adjustment mode. Otherwise, the existing adjustment data might be distorted.

16. After the color adjustments are completed, press the ^{ADJUST} (O) key to save the data.



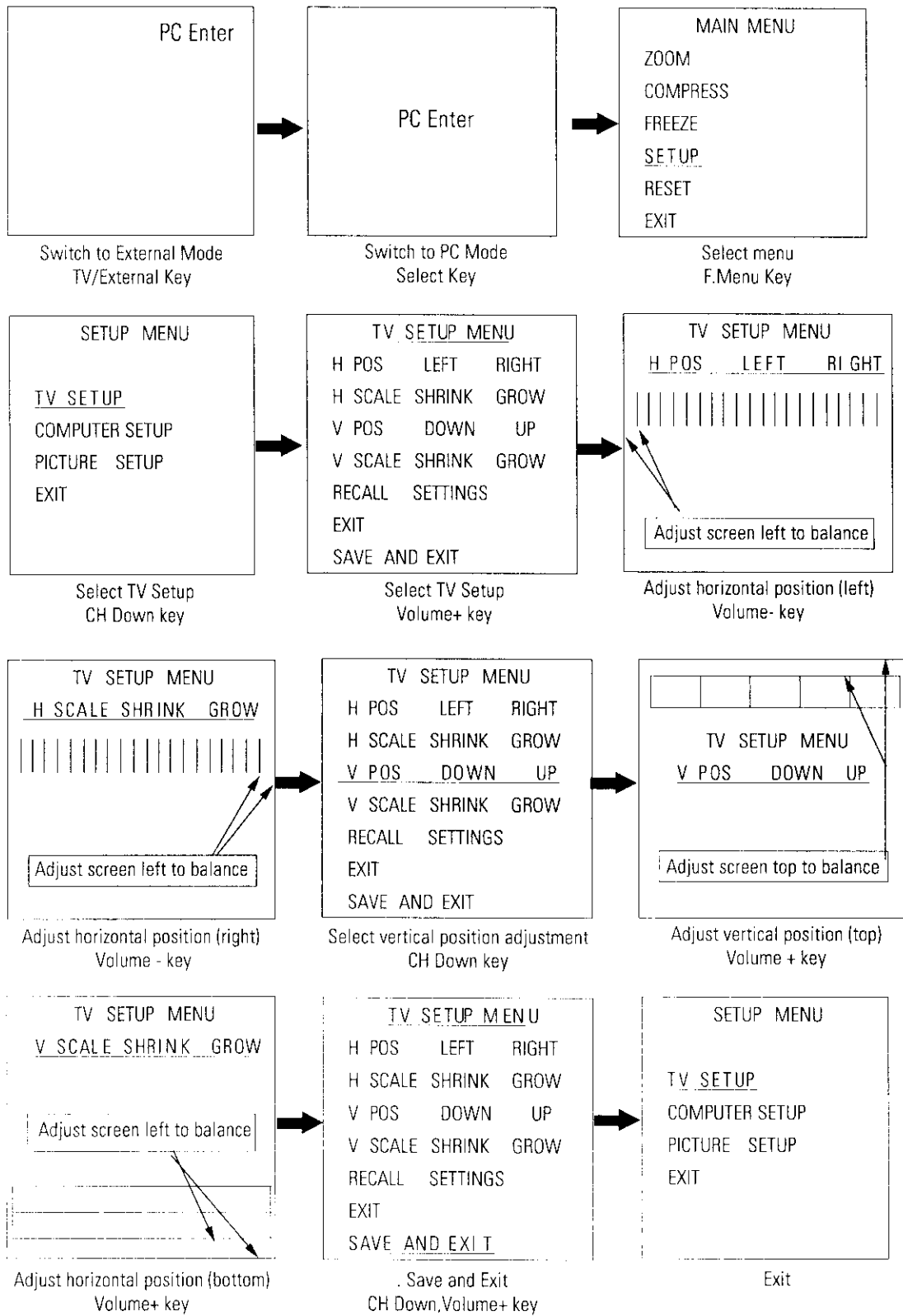
The cursor moves to center, and then automatically moves up and to the left about five seconds later.



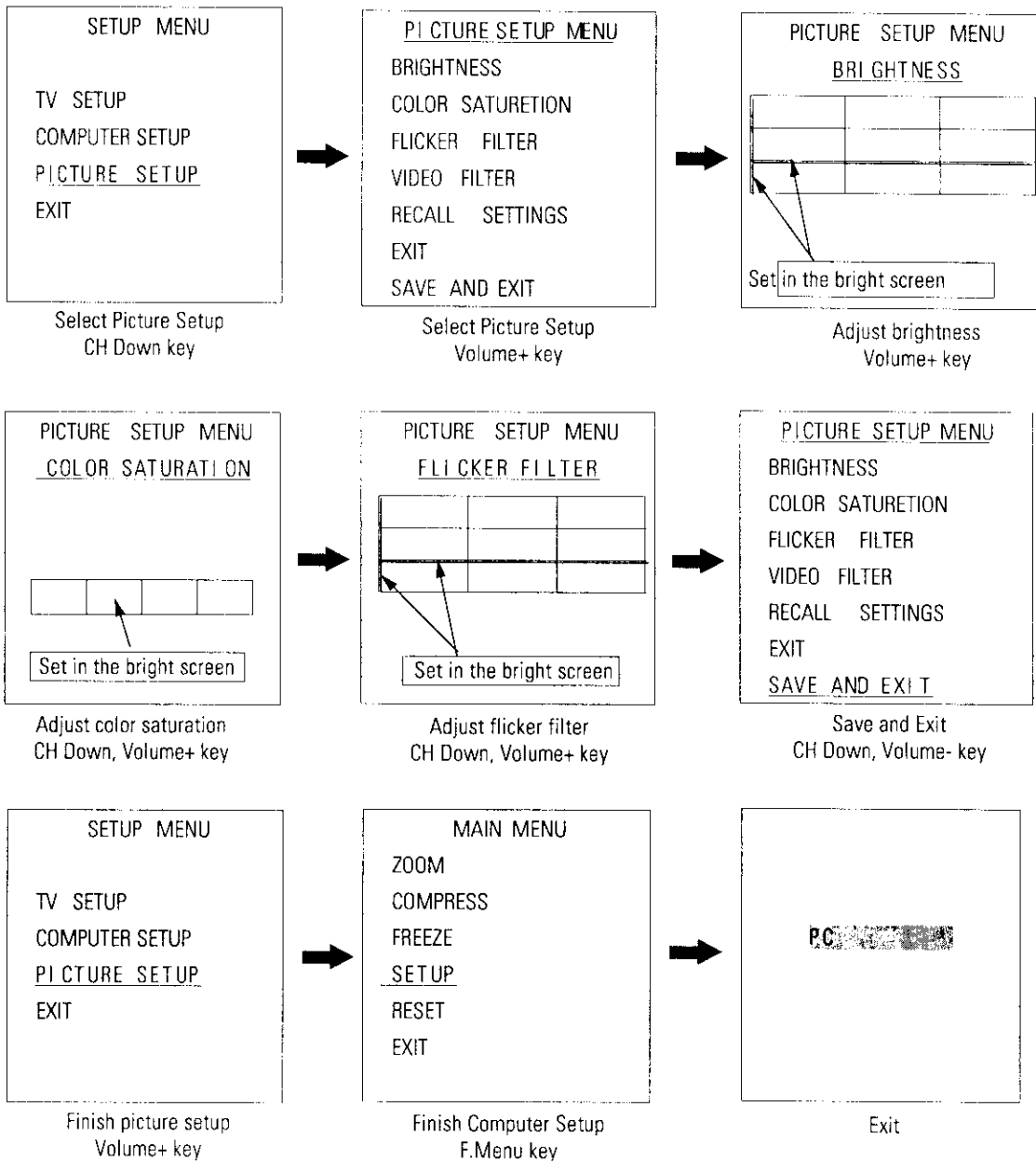
17. After the Convergence Adjustments are completed, press the ^{S.MODE} key to exit.

4-7 PC Mode

4-7-1 TV Setup Mode

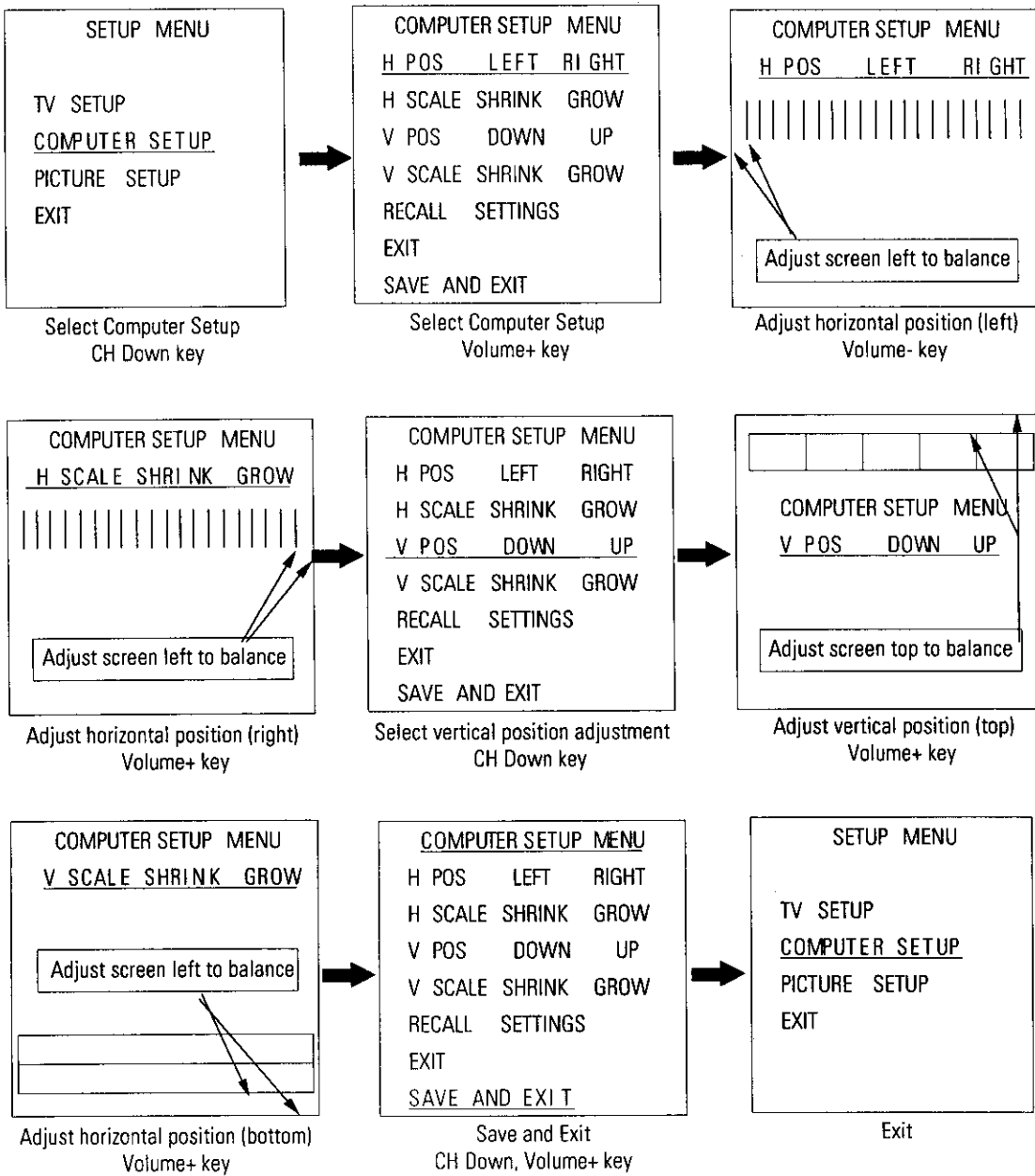


4-7-2 Picture Setup Mode



1. Adjust four different modes:VGA3 (VGA), VGA (DOS), VESA (SVGA), VEAS (XGA).
- 2). Perform the setup for each PC mode and picture setup.

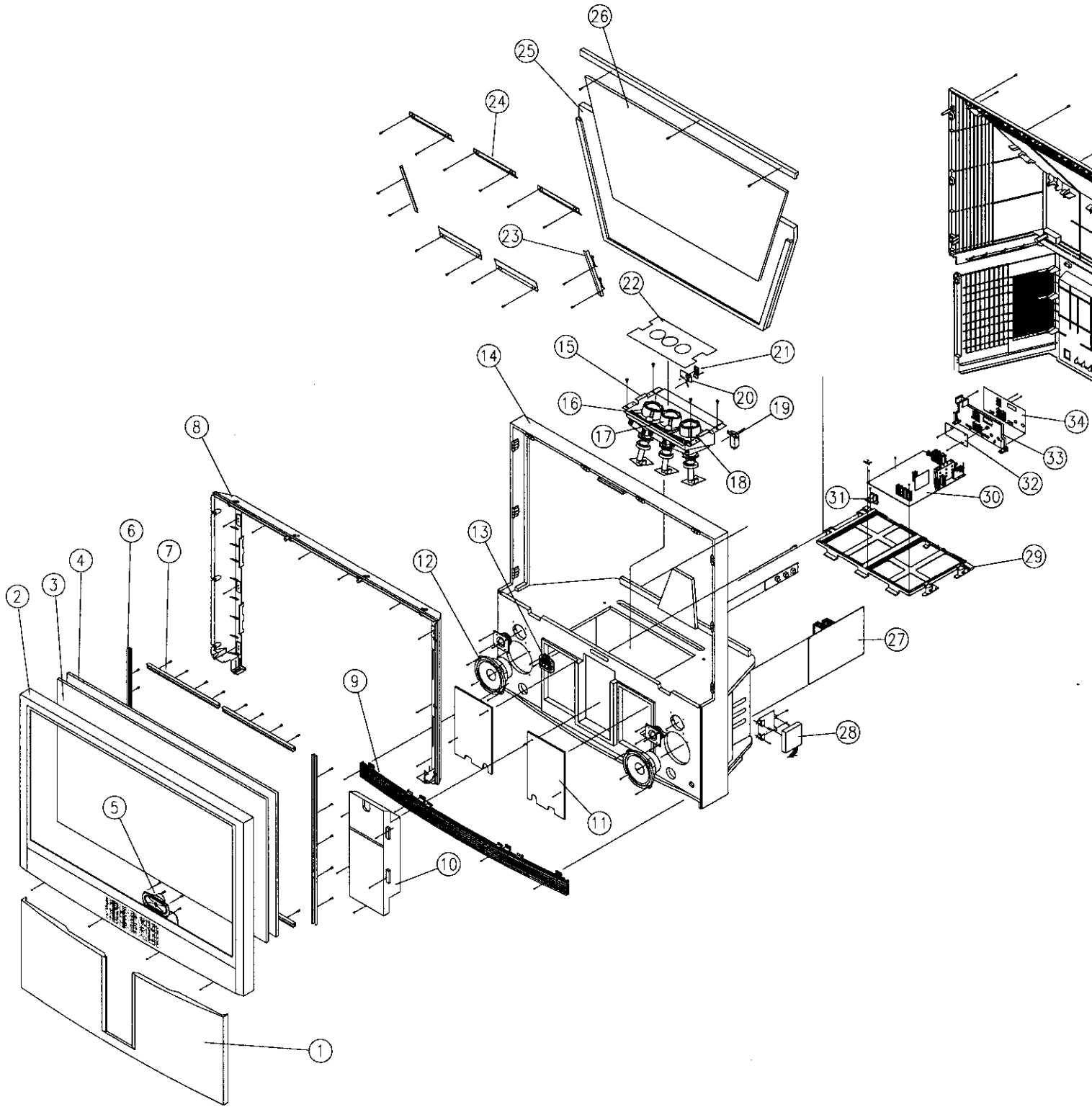
4-7-3 Picture Setup Mode (computer setup mode only)

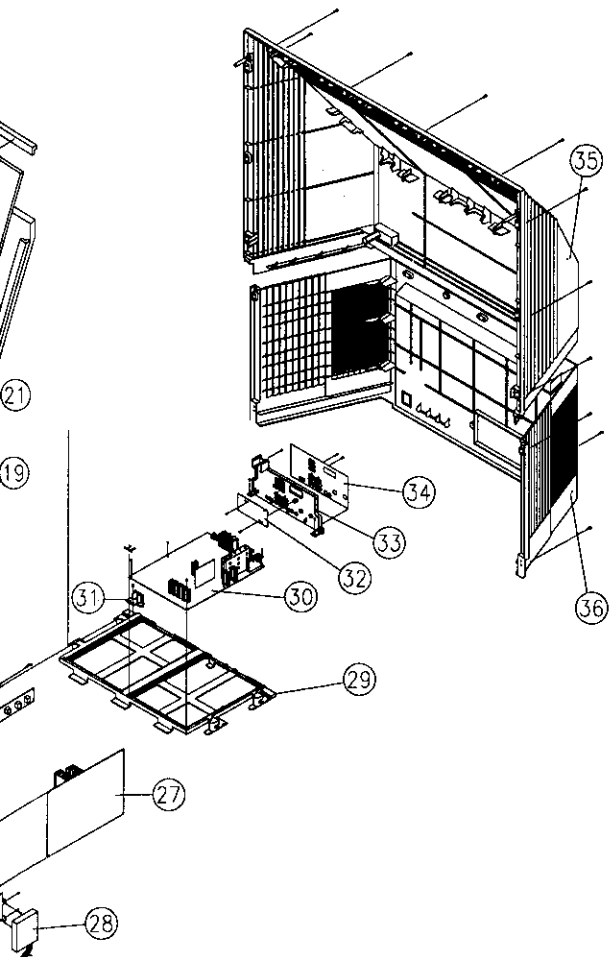


1. Adjust four different modes:VGA3 (VGA), VGA (DOS), VESA (SVGA), VEAS (XGA).
2. Perform the setup for each PC mode and picture setup.

6. Exploded View & Parts List

6-1 HCJ552W





No.	CODE NO	DESCRIPTION	SPECIFICATION
1	AA91-10404A	ASSY-CABINET,BOTTOM	;-,HCH551W,JERSEY SPO
2	AA64-31315E	CABINET-FRONT	;-,HCJ552W SECA,DG703P+BK70
3	AA67-00053A	SUN-SCREEN	;-,55W,H/C,A/S,PMMA,T=82%,T2.
4	AA67-70055A	SCREEN	;DNP,55W,-,-,TINT=10%,2.7,1251
5	AA96-10153A	ASSY-SPEAKER	;-,8ohm,15w,001052,20609A,CE
6	AA61-11024A	BRACKET-SCREEN,SIDE	;-,SECC-1,T1.0,-,-,
7	AA61-11023A	BRACKET-SCREEN, TOP	;-,SECC-1,T1.0,-,-,
8	AA64-31316B	CABINET-MIDDLE	;-,HCH551W,DG-703P,HIPS,HB
9	AA64-80052A	LEG-FRONT	;-,SPT555JHD,DG703P,HIPS,HB,BLK
10	AA95-00364A	ASSY-DOOR	;-,PCJ652W/552W,P51A,-,-,
11	AA63-30225A	COVER-WOOD	;-,SPT-555JHD,-,WOOD,-,-,-,
12	3001-000153	SPEAKER	;20W,8ohm,93dB,1.3KHz
13	AA59-40003P	MODULE-FOCUS,PACK	;-,F300,NTSC,43,64x62,
14	AA64-00436A	CABINET-WOOD	;-,HCJ552W,-,WOOD,-,BLK,-,-
15	AA61-00055C	BRACKET-CRT,WIRE	;-,PJT,SUS304 1/8H,-,-,-
16	AA94-01287A	ASSY-CRT-(R)	;P16LNM07RJA,+380MG,7,BARE,
17	AA94-01288A	ASSY-CRT-(G)	;P16LNM07HKA,+380MG,7,BARE,
18	AA94-01289A	ASSY-CRT-(B)	;P16LNM07BMB,+380MG,7,BARE,
19	AA61-10149A	BRACKET-HV	;-,S4388,SECC,T1.0,-,-,-
20	AA41-10436A	PCB-PREAMP	;SPT51A,1,FR-1,245X245X1.6T
21	AA61-10042A	BRACKET-PCB,RMC	;-,S4388,SECC,T1.0,-,-,-
22	AA63-60119A	SPACER-COVER,BRACKET	;FELT,TO.5,BLK,630X3
23	AA61-11022A	BRACKET-MIRROR,SIDE	;-,SECC-1,T1.0,-,-,
24	AA61-11021A	BRACKET-MIRROR, TOP	;-,SECC-1,T1.0,-,-,-
25	AA64-31259A	CASE-MIRROR	;-,SPT-555JHD,-,WOOD,-,-,-,-
26	AA67-20028A	MIRROR-FRONT	;55"W,GLASS,T=3.0,-,FSM,1074
27	AA95-00055C	ASSY-PCB,CONVERGENCE	;-,SVP-53J5DR,P51A,-
28	AA95-00157B	ASSY-PCB, CONV MDL	;-,SVP-53J5DR,P51A,-,-,
29	AA61-00051B	HOLDER-CHASSIS	;-,PCJ533R,ABS,VO,GRAY,E-2
30	AA94-01247A	ASSY-PCB,MAIN(OPT)	;HCJ552WX/XAA,P51A,USA
31	AA61-20284A	HOLDER	;-,P-CORD,PP,VO,BLK,KE-002
32	AA41-00020D	PCB-TERMINAL	;P51A,2L,FR-4,180X245X1.6T,1
33	AA63-00045B	TERMINAL-BOARD,ANT	;-,HIPS,-,PCJ533R,-
34	AA64-00182C	INLAY-BACK	;PCJ534R,P51A DTV,PS SHEET,TO.
35	AA64-31213B	CABINET-BACK-TOP	;-,555J,-,HIPS,HB,BLK,-,
36	AA64-00624A	CABINET-BACK,BOARD	;-,552W,HARDBOARD,HIPS

7. Electrical Parts List

7-1 HCJ552WX/XAA

Loc. No.	Code No.	Description ; Specification	Remark	Loc. No.	Code No.	Description ; Specification	Remark
ASSY-PCB,MAIN(OPT)							
*AA94-01247AASSY-PCB,MAIN(OPT);HCJ552WX/XAA,P51A,USA							
C101	2201-000144	C-CERAMIC,DISC;100pF,5%,50V,CH,TP,8x3,5		C550	2201-000119	C-CERAMIC,DISC;100nF,+80-20%,50V,Y5V,TP	
C102	2201-000144	C-CERAMIC,DISC;100pF,5%,50V,CH,TP,8x3,5		C551	2401-000360	C-AL;100uF,20%,50V,GP,TP,8x11.5,5	
C103	2201-000119	C-CERAMIC,DISC;100nF,+80-20%,50V,Y5V,TP		C552	2201-000119	C-CERAMIC,DISC;100nF,+80-20%,50V,Y5V,TP	
C104	2401-001363	C-AL;470uF,20%,16V,GP,TP,10x12.5,5		C639	2401-002009	C-AL;100uF,20%,16V,GP,TP,6.3x7.5	
C105	2401-002619	C-AL;47uF,20%,25V,GP,TP,5x11.5		C640	2201-000119	C-CERAMIC,DISC;100nF,+80-20%,50V,Y5V,TP	
C106	2201-000144	C-CERAMIC,DISC;100pF,5%,50V,CH,TP,8x3,5		C664	2401-001068	C-AL;3300uF,20%,50V,GPBK,22x40,10	
C107	2305-000665	C-FILM,MPEF;100nF,5%,63V,TP,7.5x4.0x5.0m		C665	2401-000737	C-AL;2200uF,20%,50V,GP,TP,18x35.5,7.5	
C108	2201-000144	C-CERAMIC,DISC;100pF,5%,50V,CH,TP,8x3,5		C666	2305-000665	C-FILM,MPEF;100nF,5%,63V,TP,7.5x4.0x5.0m	
C109	2201-000119	C-CERAMIC,DISC;100nF,+80-20%,50V,Y5V,TP		C667	2401-000603	C-AL;1uF,20%,50V,GP,TP,5x11.5	
C110	2401-001363	C-AL;470uF,20%,16V,GP,TP,10x12.5,5		C668	2401-000603	C-AL;1uF,20%,50V,GP,TP,5x11.5	
C112	2201-000144	C-CERAMIC,DISC;100pF,5%,50V,CH,TP,8x3,5		C669	2401-000962	C-AL;22uF,20%,50V,GP,TP,5x11.5	
C113	2401-002009	C-AL;100uF,20%,16V,GP,TP,6.3x7.5		C670	2401-000603	C-AL;1uF,20%,50V,GP,TP,5x11.5	
C114	2201-000119	C-CERAMIC,DISC;100nF,+80-20%,50V,Y5V,TP		C671	2401-001537	C-AL;47uF,20%,25V,GP,TP,6.3x7mm,5mm	
C116	2401-000603	C-AL;1uF,20%,50V,GP,TP,5x11.5		C672	2401-000360	C-AL;100uF,20%,50V,GP,TP,8x11.5,5	
C117	2301-000310	C-FILM,PEF;68nF,5%,50V,TP,8.0X8.5X4.0X5.		C676	2401-001192	C-AL;33uF,20%,50V,GP,TP,6.3x11.5	
C118	2201-000180	C-CERAMIC,DISC;10nF,10%,50V,Y5V,TP,6.5*3		C686	2301-000192	C-FILM,PEF;1nF,5%,50V,TP,5.3x10mm,5mm	
C119	2305-000665	C-FILM,MPEF;100nF,5%,63V,TP,7.5x4.0x5.0m		C687	2301-000192	C-FILM,PEF;1nF,5%,50V,TP,5.3x10mm,5mm	
C121	2305-000665	C-FILM,MPEF;100nF,5%,63V,TP,7.5x4.0x5.0m		C688	2401-000192	C-AL;1000uF,20%,50V,GP,TP,16x25.7,5	
C125	2401-000603	C-AL;1uF,20%,50V,GP,TP,5x11.5		C689	2305-000665	C-FILM,MPEF;100nF,5%,63V,TP,7.5x4.0x5.0m	
C126	2201-000119	C-CERAMIC,DISC;100nF,+80-20%,50V,Y5V,TP		C690	2305-000665	C-FILM,MPEF;100nF,5%,63V,TP,7.5x4.0x5.0m	
C129	2201-000144	C-CERAMIC,DISC;100pF,5%,50V,CH,TP,8x3,5		C691	2401-000192	C-AL;1000uF,20%,50V,GP,TP,16x25.7,5	
C130	2201-000119	C-CERAMIC,DISC;100nF,+80-20%,50V,Y5V,TP		C701	2401-000027	C-AL;4.7uF,20%,50V,GP,TP,5x11.5	
C132	2305-000665	C-FILM,MPEF;100nF,5%,63V,TP,7.5x4.0x5.0m		C711	2305-000665	C-FILM,MPEF;100nF,5%,63V,TP,7.5x4.0x5.0m	
C133	2401-001363	C-AL;470uF,20%,16V,GP,TP,10x12.5,5		C712	2201-000426	C-CERAMIC,DISC;27pF,5%,50V,SL,TP,5x3,5	
C180	2401-000603	C-AL;1uF,20%,50V,GP,TP,5x11.5		C713	2401-000471	C-AL;10uF,20%,50V,BP,TP,5x11.5mm	
C185	2401-001363	C-AL;470uF,20%,16V,GP,TP,10x12.5,5		C714	2305-000665	C-FILM,MPEF;100nF,5%,63V,TP,7.5x4.0x5.0m	
C191	2401-002619	C-AL;47uF,20%,25V,GP,TP,5x11.5		C715	2305-000665	C-FILM,MPEF;100nF,5%,63V,TP,7.5x4.0x5.0m	
C193	2201-000119	C-CERAMIC,DISC;100nF,+80-20%,50V,Y5V,TP		C801	2401-002300	C-AL;47uF,20%,50V,GP,TP,6.3x11.5	
C195	2401-002619	C-AL;47uF,20%,25V,GP,TP,5x11.5		C901	2201-000292	C-CERAMIC,DISC;1nF,10%,50V,Y5P,TP,5x3,5	
C501	2305-000665	C-FILM,MPEF;100nF,5%,63V,TP,7.5x4.0x5.0m		C904	2202-002037	C-CERAMIC,MLC-AXIAL;100nF,80-20%,50V,Y5V	
C502	2401-001397	C-AL;470uF,20%,25V,GP,TP,10x16,5		C905	2401-001496	C-AL;47uF,20%,16V,GP,TP,5x7,5	
C503	2305-000665	C-FILM,MPEF;100nF,5%,63V,TP,7.5x4.0x5.0m		C906	2305-000149	C-FILM,MPEF;100nF,5%,100V,TP,12x12.5x6.5	
C504	2401-000832	C-AL;220uF,20%,25V,GP,TP,8x11.5,5		C907	2301-000111	C-FILM,PEF;1.8nF,5%,50V,TP,6.5x3.0x5.5mm	
C505	2305-000665	C-FILM,MPEF;100nF,5%,63V,TP,7.5x4.0x5.0m		C908	2201-000292	C-CERAMIC,DISC;1nF,10%,50V,Y5P,TP,5x3,5	
C506	2401-002594	C-AL;220uF,20%,16V,GP,TP,8x11.5,5		C909	2201-000292	C-CERAMIC,DISC;1nF,10%,50V,Y5P,TP,5x3,5	
C507	2305-000665	C-FILM,MPEF;100nF,5%,63V,TP,7.5x4.0x5.0m		C910	2201-000292	C-CERAMIC,DISC;1nF,10%,50V,Y5P,TP,5x3,5	
C508	2401-002286	C-AL;470uF,20%,16V,WT,TP,10x12.5,5		C911	2201-000119	C-CERAMIC,DISC;100nF,+80-20%,50V,Y5V,TP	
C509	2305-000665	C-FILM,MPEF;100nF,5%,63V,TP,7.5x4.0x5.0m		C912	2201-000119	C-CERAMIC,DISC;100nF,+80-20%,50V,Y5V,TP	
C510	2401-000133	C-AL;1000uF,20%,16V,GP,TP,10x20,5		C913	2201-000193	C-CERAMIC,DISC;10pF,0.3pF,50V,CH,TP,5x3,	
C511	2305-000665	C-FILM,MPEF;100nF,5%,63V,TP,7.5x4.0x5.0m		C914	2201-000573	C-CERAMIC,DISC;47pF,5%,50V,CH,TP,6.5x3.0	
C512	2401-000689	C-AL;2200uF,20%,16V,GP,TP,13x25,5		C915	2201-000119	C-CERAMIC,DISC;100nF,+80-20%,50V,Y5V,TP	
C513	2401-002594	C-AL;220uF,20%,16V,GP,TP,8x11.5,5		C916	2401-002042	C-AL;220uF,20%,10V,GP,TP,6.3x11.5	
C514	2305-000665	C-FILM,MPEF;100nF,5%,63V,TP,7.5x4.0x5.0m		C917	2401-002144	C-AL;47uF,20%,16V,GP,TP,5x11.5	
C515	2201-000573	C-CERAMIC,DISC;47pF,5%,50V,CH,TP,6.5x3.0		C918	2201-000119	C-CERAMIC,DISC;100nF,+80-20%,50V,Y5V,TP	
C516	2201-000573	C-CERAMIC,DISC;47pF,5%,50V,CH,TP,6.5x3.0		C919	2401-000480	C-AL;10uF,20%,50V,GP,TP,5x11.5	
C517	2401-002594	C-AL;220uF,20%,16V,GP,TP,8x11.5,5		C920	2201-000119	C-CERAMIC,DISC;100nF,+80-20%,50V,Y5V,TP	
C518	2305-000665	C-FILM,MPEF;100nF,5%,63V,TP,7.5x4.0x5.0m		C921	2201-000119	C-CERAMIC,DISC;100nF,+80-20%,50V,Y5V,TP	
C519	2305-000665	C-FILM,MPEF;100nF,5%,63V,TP,7.5x4.0x5.0m		C922	2201-000119	C-CERAMIC,DISC;100nF,+80-20%,50V,Y5V,TP	
C520	2401-002594	C-AL;220uF,20%,16V,GP,TP,8x11.5,5		C925	2201-000119	C-CERAMIC,DISC;100nF,+80-20%,50V,Y5V,TP	
C521	2305-000665	C-FILM,MPEF;100nF,5%,63V,TP,7.5x4.0x5.0m		C926	2401-000480	C-AL;10uF,20%,50V,GP,TP,5x11.5	
C522	2401-002286	C-AL;470uF,20%,16V,WT,TP,10x12.5,5		CABLE	AA39-30007AIF-CABLE,-,T,100mm,1365#26		
C534	2401-002594	C-AL;220uF,20%,16V,GP,TP,8x11.5,5		CLAMP2	AA65-30105B CLAMP-WIRE,NYLON 66,V2,NTR,25MM,ALL MODE		
C535	2305-000665	C-FILM,MPEF;100nF,5%,63V,TP,7.5x4.0x5.0m		CLAMPWV	AA65-30105B CLAMP-WIRE,NYLON 66,V2,NTR,25MM,ALL MODE		
C537	2305-000665	C-FILM,MPEF;100nF,5%,63V,TP,7.5x4.0x5.0m		CLAMPWV	AA65-30013ACLAMP-WIRE,NYLON-66,V0,NTR,DAWH-45N,-,-		
C538	2401-001840	C-AL;100uF,20%,16V,GP,TP,6.3x11.5		CLAMPWV	AA65-30018ACLAMP-WIRE,NYLON-66,-,-,DATL-600,DONG-A		
C539	2401-001840	C-AL;100uF,20%,16V,GP,TP,6.3x11.5		CN003	3711-002642 CONNECTOR-HEADER,BOX,3P,1R,2.5MM,STRAIGH		
C540	2305-000665	C-FILM,MPEF;100nF,5%,63V,TP,7.5x4.0x5.0m		CN201	3711-002647 CONNECTOR-HEADER,BOX,8P,1R,2.5mm,STRAIGH		
C543	2201-000144	C-CERAMIC,DISC;100pF,5%,50V,CH,TP,8x3,5		CN202	3711-002641 CONNECTOR-HEADER,BOX,10P,1R,2.54mm,STRAI		
C544	2401-002144	C-AL;47uF,20%,16V,GP,TP,5x11.5		CN501	3711-002647 CONNECTOR-HEADER,BOX,8P,1R,2.5mm,STRAIGH		
C545	2201-000573	C-CERAMIC,DISC;47pF,5%,50V,CH,TP,6.5x3.0		CN601	3711-002643 CONNECTOR-HEADER,BOX,4P,1R,2.5MM,STRAIGH		
C547	2201-000573	C-CERAMIC,DISC;47pF,5%,50V,CH,TP,6.5x3.0		CN602	3711-002644 CONNECTOR-HEADER,BOX,5P,1R,2.5mm,STRAIGH		
C548	2401-000471	C-AL;10uF,20%,50V,BP,TP,5x11.5mm		CN801	3711-003641 CONNECTOR-HEADER,BOX,12P,1R,2.5mm,STRAIG		
C549	2401-002594	C-AL;220uF,20%,16V,GP,TP,8x11.5,5		CNT01	3710-001208 CONNECTOR-SOCKET;32P,2R,2.54mm,STRAIGHT,		
				CNT02	3710-001208 CONNECTOR-SOCKET;32P,2R,2.54mm,STRAIGHT,		
				CNY01	3711-000628 CONNECTOR-HEADER,-,11P,1R,2.5mm,STRAIGHT		
				CORE2	3301-001201 CORE-FERRITE;AE,230.5x10.25x36mm,1500,28		
				COREF	3301-001201 CORE-FERRITE;AE,230.5x10.25x36mm,1500,28		
				CP06	2301-000192 C-FILM,PEF;1nF,5%,50V,TP,5.3x10mm,5mm		

Loc. No.	Code No.	Description : Specification	Remark	Loc. No.	Code No.	Description : Specification	Remark
CP07	Z301-000383	C-FILM,PEF;10nF,5%,50V,TP,6x7x3,2mm,5mm		△ IC503	1203-000203	IC-POSI.ADJUST REG.;3050,TO-220,5P,-,PLA	H/SINK
CP10	2401-000404	C-AL;10uF,20%,16V,BP,TP;5x11,5		△ IC504	1203-000203	IC-POSI.ADJUST REG.;3050,TO-220,5P,-,PLA	H/SINK
CS801	2201-000332	C-CERAMIC,DISC;2.2nF,20%,250VAC,Y5U,TP,1		△ IC506	1203-000293	IC-POSI.FIXED REG.;7808,TO-220,3P,-,PLAS	
CS802	2201-000332	C-CERAMIC,DISC;2.2nF,20%,250VAC,Y5U,TP,1		△ IC507	1204-001510	IC-SEPARATOR;EL4583CN,DIP,16P,-,PLASTIC,	
CS803	2401-003370	C-AL;47uF,20%,450V,GPBK,16X35,5,7		△ IC665	1201-001026	IC-POWER AMP;7265,ZIP,11P;19,6MIL,DUAL,1	H/SINK
CS804	2201-000119	C-CERAMIC,DISC;100nF,+80-20%,50V,Y5V,TP,		△ IC807	1203-000274	IC-POSI.FIXED REG.;7805,TO-220,3P,-,PLAS	H/SINK
CS805	2401-001101	C-AL;330uF,20%,16V,GP,TP;8x11,5,5		△ IC901	AA13-00012A	IC-MCU;Z9037112PSC-OTP,OTP,ST,64kword	
CS807	2201-000119	C-CERAMIC,DISC;100nF,+80-20%,50V,Y5V,TP,		△ IC902	1103-001105	IC-EEPROM;24C040,4Kx1BIT,DIP,8P,300MIL,1	
CS808	2401-001363	C-AL;470uF,20%,16V,GP,TP;10x12,5,5		△ IC903	1203-001274	IC-VOL. DETECTOR;7545,TO-92,3P,-,PLASTIC	
CS809	2201-000556	C-CERAMIC,DISC;470pF,10%,500V,Y5P,TP,7x4		△ IC904	1203-000515	IC-VOL. DETECTOR;7042,TO-92,3P,177MIL,PL	
CS810	2201-000446	C-CERAMIC,DISC;3.3nF,20%,400V,Y5U,TP,18x		△ IC902	0801-000284	IC-CMOS LOGIC;4528,MULTIVIBRATOR,DIP,16P	
CS811	2201-000446	C-CERAMIC,DISC;3.3nF,20%,400V,Y5U,TP,18x		△ ICS801	AA13-00024A	IC-HYBRID;-TNY253P,-,8PIN,-,-	
CS812	2201-002076	C-CERAMIC,DISC;0.068nF,5%,1kV,SL,TP;8x4mm		△ ICS802	0604-001032	PHOTO-COUPLER;TR,170-260%,300mW,DIP-4,ST	
D501	0401-000005	DIODE-SWITCHING;1N4148,100V,200MA,DO-35,		J137	2001-000281	R-CARBON;1000HM,5%,1/8W,AA,TP,1.8X3.2MM	
D664	0402-000546	DIODE-RECTIFIER;TVR10G,400V,1.0A,DO-41,T		J176	2701-001007	INDUCTOR-AXIAL;24uH,10%,4.5x14mm	
D665	0401-000005	DIODE-SWITCHING;1N4148,100V,200MA,DO-35,		J252	2701-000115	INDUCTOR-AXIAL;10uH,10%,3x7mm	
D666	0401-000005	DIODE-SWITCHING;1N4148,100V,200MA,DO-35,		L101	2701-001040	INDUCTOR-AXIAL;10uH,10%,14X4.5MM	
D667	0401-000005	DIODE-SWITCHING;1N4148,100V,200MA,DO-35,		L102	2701-000115	INDUCTOR-AXIAL;10uH,10%,3x7mm	
D668	0401-000005	DIODE-SWITCHING;1N4148,100V,200MA,DO-35,		L103	2701-000115	INDUCTOR-AXIAL;10uH,10%,3x7mm	
D669	0401-000005	DIODE-SWITCHING;1N4148,100V,200MA,DO-35,		L104	2701-000115	INDUCTOR-AXIAL;10uH,10%,3x7mm	
D671	0402-000132	DIODE-RECTIFIER;1N4004,400V,1A,DO-41,TP		L106	2701-001040	INDUCTOR-AXIAL;10uH,10%,14X4.5MM	
D672	0402-000132	DIODE-RECTIFIER;1N4004,400V,1A,DO-41,TP		L107	2701-000116	INDUCTOR-AXIAL;10uH,10%,4.2x9.8mm	
D701	0401-000005	DIODE-SWITCHING;1N4148,100V,200MA,DO-35,		L108	2701-000115	INDUCTOR-AXIAL;10uH,10%,3x7mm	
D702	0401-000005	DIODE-SWITCHING;1N4148,100V,200MA,DO-35,		L201	AA27-10001C	COIL-CHOKE;-100uH,K,-,5.0A,ST,700UH-KIR	
D703	0401-000005	DIODE-SWITCHING;1N4148,100V,200MA,DO-35,		L501	3301-000287	CORE-FERRITE BEAD;AA,3.5x1x6mm,1500,2400	
D901	0401-000005	DIODE-SWITCHING;1N4148,100V,200MA,DO-35,		L502	2701-000116	INDUCTOR-AXIAL;10uH,10%,4.2x9.8mm	
D902	0401-000005	DIODE-SWITCHING;1N4148,100V,200MA,DO-35,		L503	3301-000287	CORE-FERRITE BEAD;AA,3.5x1x6mm,1500,2400	
D903	0401-000005	DIODE-SWITCHING;1N4148,100V,200MA,DO-35,		L504	3301-000287	CORE-FERRITE BEAD;AA,3.5x1x6mm,1500,2400	
D904	0401-000005	DIODE-SWITCHING;1N4148,100V,200MA,DO-35,		L505	3301-000287	CORE-FERRITE BEAD;AA,3.5x1x6mm,1500,2400	
D905	0401-000005	DIODE-SWITCHING;1N4148,100V,200MA,DO-35,		L506	3301-000287	CORE-FERRITE BEAD;AA,3.5x1x6mm,1500,2400	
DS801	0402-000102	DIODE-BRIDGE;D2S860,600V,1.5A,-		L507	3301-000287	CORE-FERRITE BEAD;AA,3.5x1x6mm,1500,2400	
DS802	1405-001036	VARIATOR;430V,2500A,14x8.5mm,TP		L509	2701-001040	INDUCTOR-AXIAL;10uH,10%,14X4.5MM	
DS803	0403-000300	DIODE-ZENER;MTZ8.2B,8.2V,7.78-8.19V,500m		L510	3301-000287	CORE-FERRITE BEAD;AA,3.5x1x6mm,1500,2400	
DS804	0403-000294	DIODE-ZENER;MTZ4.7B,4.7V,4.55-4.80V,500m		L511	3301-000287	CORE-FERRITE BEAD;AA,3.5x1x6mm,1500,2400	
DS805	0402-000534	DIODE-RECTIFIER;RG10V,400V,1.2A,DO-201,T		L512	3301-000287	CORE-FERRITE BEAD;AA,3.5x1x6mm,1500,2400	
DS806	1405-001030	VARIATOR;120V,2500A,14x8.5mm,TP		L513	3301-000287	CORE-FERRITE BEAD;AA,3.5x1x6mm,1500,2400	
DS807	0402-000546	DIODE-RECTIFIER;TVR10G,400V,1.0A,DO-41,T		L514	3301-000287	CORE-FERRITE BEAD;AA,3.5x1x6mm,1500,2400	
DS808	1405-001036	VARIATOR;430V,2500A,14x8.5mm,TP		L516	2701-001040	INDUCTOR-AXIAL;10uH,10%,14X4.5MM	
DS809	0404-001056	DIODE-SCHOTTKY;RK16,60V,1.5A,DO-204AC,TP		L601	AA29-00004A	FILTER-LINE NOISE;-20uH,3A,AC80-260V,TQ	
DS810	1405-001036	VARIATOR;430V,2500A,14x8.5mm,TP		L902	2701-000115	INDUCTOR-AXIAL;10uH,10%,3x7mm	
DZ503	0403-000563	DIODE-ZENER;MTZ9.1B,9.1V,8.57-9.01V,500m		L903	2701-001040	INDUCTOR-AXIAL;10uH,10%,14X4.5MM	
DZ504	0403-000563	DIODE-ZENER;MTZ9.1B,9.1V,8.57-9.01V,500m		L907	3301-000287	CORE-FERRITE BEAD;AA,3.5x1x6mm,1500,2400	
DZ505	0403-000563	DIODE-ZENER;MTZ9.1B,9.1V,8.57-9.01V,500m		L909	3301-000287	CORE-FERRITE BEAD;AA,3.5x1x6mm,1500,2400	
DZ506	0403-000296	DIODE-ZENER;MTZ5.6B,5.6V,5.45-5.73V,500m		L910	3301-000287	CORE-FERRITE BEAD;AA,3.5x1x6mm,1500,2400	
DZ507	0403-000297	DIODE-ZENER;MTZ6.2B,6.2V,5.96-6.27V,500m		L911	2901-000297	FILTER-EMI ON BOARD;-3A,-,3.5x5,TP-	
DZ508	0403-000297	DIODE-ZENER;MTZ6.2B,6.2V,5.96-6.27V,500m		LEADC	AA39-20577A	LEAD CONNECTOR-ASSY;-YFH806-06,-,613P,	
DZ510	0403-000297	DIODE-ZENER;MTZ6.2B,6.2V,5.96-6.27V,500m		LEADC	AA39-00036A	LEAD CONNECTOR-ASSY;-3191-01R,35750-101	
DZ511	0403-000297	DIODE-ZENER;MTZ6.2B,6.2V,5.96-6.27V,500m		LEADC	AA39-00025B	LEAD CONNECTOR-ASSY;-YF	
DZ512	0403-000297	DIODE-ZENER;MTZ6.2B,6.2V,5.96-6.27V,500m		LS801	2901-000297	FILTER-EMI ON BOARD;-3A,-,3.5x5,TP-	
DZ513	0403-000297	DIODE-ZENER;MTZ6.2B,6.2V,5.96-6.27V,500m		LS802	2901-000297	FILTER-EMI ON BOARD;-3A,-,3.5x5,TP-	
DZ665	0403-001039	DIODE-ZENER;MAZ560,560V,52-60V,1W,DO-41,T		LS803	3301-000287	CORE-FERRITE BEAD;AA,3.5x1x6mm,1500,2400	
DZ666	0403-000656	DIODE-ZENER;MTZ15C,15V,14.35-15.09V,500m		MODULEF	AA59-40003P	MODULE-FOCUS,PACK;-F300,NTSC,43.64x62,	
DZ667	0403-000355	DIODE-ZENER;UZ5 1BSB,5.1V,4.97-5.18V,500		PCB	AA41-11053C	PCB-MAIN;P51A,1L,FR-1,330x245x1.6T,1A,-	
DZ701	0403-000289	DIODE-ZENER;MTZ10C,10V,9.7-10.2V,500m,W,D		PCBM	AA41-11040A	PCB-MTS MODULE;PLT51A,1L,FR-1,245x245x1.	
DZ801	0403-000700	DIODE-ZENER;TZP33A,33V,31-35V,1W,DO-41,T		Q501	0501-000389	TR-SMALL SIGNAL;KSC815,NPN,400mW,TO-92,T	
DZ903	0403-000297	DIODE-ZENER;MTZ6.2B,6.2V,5.96-6.27V,500m		Q502	0501-000389	TR-SMALL SIGNAL;KSC815,NPN,400mW,TO-92,T	
DZ904	0403-000297	DIODE-ZENER;MTZ6.2B,6.2V,5.96-6.27V,500m		Q503	0501-000389	TR-SMALL SIGNAL;KSC815,NPN,400mW,TO-92,T	
DZ905	0403-000297	DIODE-ZENER;MTZ6.2B,6.2V,5.96-6.27V,500m		Q504	0501-000389	TR-SMALL SIGNAL;KSC815,NPN,400mW,TO-92,T	
DZ911	0403-000296	DIODE-ZENER;MTZ5.6B,5.6V,5.45-5.73V,500m		Q665	0501-000389	TR-SMALL SIGNAL;KSC815,NPN,400mW,TO-92,T	
DZ912	0403-000296	DIODE-ZENER;MTZ5.6B,5.6V,5.45-5.73V,500m		Q666	0501-000389	TR-SMALL SIGNAL;KSC815,NPN,400mW,TO-92,T	
DZ913	0403-000296	DIODE-ZENER;MTZ5.6B,5.6V,5.45-5.73V,500m		Q667	0501-000389	TR-SMALL SIGNAL;KSC815,NPN,400mW,TO-92,T	
DZ916	0403-000297	DIODE-ZENER;MTZ6.2B,6.2V,5.96-6.27V,500m		Q701	0501-000389	TR-SMALL SIGNAL;KSC815,NPN,400mW,TO-92,T	
DZ917	0403-000297	DIODE-ZENER;MTZ6.2B,6.2V,5.96-6.27V,500m		Q702	0501-000389	TR-SMALL SIGNAL;KSC815,NPN,400mW,TO-92,T	
DZ918	0403-000297	DIODE-ZENER;MTZ6.2B,6.2V,5.96-6.27V,500m		Q703	0501-000389	TR-SMALL SIGNAL;KSC815,NPN,400mW,TO-92,T	
F101	2903-000135	FILTER-CERAMIC;BP4,5MHz,+60kHz,6dB,-,T		Q901	0501-000389	TR-SMALL SIGNAL;KSC815,NPN,400mW,TO-92,T	
F102	2903-000129	FILTER-CERAMIC;TR,4.5M/4.72MHZ,-,-,TP,		Q902	0501-000389	TR-SMALL SIGNAL;KSC815,NPN,400mW,TO-92,T	
F901	3301-000287	CORE-FERRITE BEAD;AA,3.5x1x6mm,1500,2400		Q903	0501-000389	TR-SMALL SIGNAL;KSC815,NPN,400mW,TO-92,T	
H001	AA40-10005R	TUNER-F/S,LNA,TECC1070PG30A(S),NTSC/USA,		Q909	0501-000283	TR-SMALL SIGNAL;KSA539,PNP,400mW,TO-92,T	
H002	AA40-10005U	TUNER-F/S,TCNP9082PC27A(S),NTSC/USA,TR,1		Q910	0501-000389	TR-SMALL SIGNAL;KSC815,NPN,400mW,TO-92,T	
H003	AA59-40003Q	MODULE-MTS;-MZ-201,ZENITH,US,43X54,-		QP03	0501-000389	TR-SMALL SIGNAL;KSC815,NPN,400mW,TO-92,T	
H004	AA59-00028A	MODULE-IF,-,SP-222,NTSC,USA,74X54,-		QP04	0501-000389	TR-SMALL SIGNAL;KSC815,NPN,400mW,TO-92,T	
△ IC101	1204-001435	IC-IF SYSTEM;LA7565B,DIP,24P,300MIL,PLAS		QS801	0501-000369	TR-SMALL SIGNAL;KSC2331-Y,NPN,1W,TO-92L,	
△ IC101	1204-001204	IC-DECODER;TDA9850,DIP,32P,400MIL,PLAST		R121	2008-000266	R-FUSIBLE(S);1ohm,5%,2W,AF,TP;3.9x10mm	
△ IC101	1203-000577	IC-VOLTAGE REGULATOR;3090,ZIP,SP,-,PLASTI	H/SINK	R123	2001-000429	R-CARBON;1K0HM,5%,1/8W,AA,TP,1.8X3.2MM	
△ IC102	1203-000203	IC-POSI ADJUST REG.;3050,TO-220,5P,-,PLA	H/SINK	R125	2001-000281	R-CARBON;1000HM,5%,1/8W,AA,TP,1.8X3.2MM	
△ IC501	1203-000165	IC-POSI.ADJUST REG.;78R12,TO-220,3P,-,-	H/SINK	R126	2001-000281	R-CARBON;1000HM,5%,1/8W,AA,TP,1.8X3.2MM	
△ IC502	1203-000203	IC-POSI.ADJUST REG.;3050,TO-220,5P,-,PLA	H/SINK	R128	2001-000281	R-CARBON;1000HM,5%,1/8W,AA,TP,1.8X3.2MM	

Loc. No.	Code No.	Description : Specification	Remark	Loc. No.	Code No.	Description : Specification	Remark
R129	2001-000281	R-CARBON;1000HM,5%,1/8W,AA,TP,1.8X3.2MM		R907	2001-000429	R-CARBON;1KOHM,5%,1/8W,AA,TP,1.8X3.2MM	
R130	2001-000281	R-CARBON;1000HM,5%,1/8W,AA,TP,1.8X3.2MM		R908	2001-000515	R-CARBON;2200HM,5%,1/8W,AA,TP,1.8X3.2MM	
R131	2001-000739	R-CARBON;4.7MOHM,5%,1/8W,AA,TP,1.8X3.2M		R909	2001-000515	R-CARBON;2200HM,5%,1/8W,AA,TP,1.8X3.2MM	
R132	2001-000739	R-CARBON;4.7MOHM,5%,1/8W,AA,TP,1.8X3.2M		R910	2001-000515	R-CARBON;2200HM,5%,1/8W,AA,TP,1.8X3.2MM	
R133	2001-000449	R-CARBON;2.2KOHM,5%,1/8W,AA,TP,1.8X3.2M		R912	2001-000003	R-CARBON;330ohm,5%,1/8W,AA,TP,1.8x3.2mm	
R134	2001-000734	R-CARBON;4.7KOHM,5%,1/8W,AA,TP,1.8X3.2M		R913	2001-000786	R-CARBON;47KOHM,5%,1/8W,AA,TP,1.8X3.2MM	
R143	2001-000281	R-CARBON;1000HM,5%,1/8W,AA,TP,1.8X3.2MM		R914	2001-000281	R-CARBON;1000HM,5%,1/8W,AA,TP,1.8X3.2MM	
R144	2001-000281	R-CARBON;1000HM,5%,1/8W,AA,TP,1.8X3.2MM		R915	2001-000281	R-CARBON;1000HM,5%,1/8W,AA,TP,1.8X3.2MM	
R501	2001-000066	R-CARBON(S);10KOHM,5%,1/2W,AA,TP,2.4X6.4		R916	2001-000472	R-CARBON;2.7KOHM,5%,1/8W,AA,TP,1.8X3.2M	
R502	2001-000281	R-CARBON;1000HM,5%,1/8W,AA,TP,1.8X3.2MM		R917	2001-000472	R-CARBON;2.7KOHM,5%,1/8W,AA,TP,1.8X3.2M	
R503	2001-000281	R-CARBON;1000HM,5%,1/8W,AA,TP,1.8X3.2MM		R918	2001-000734	R-CARBON;4.7KOHM,5%,1/8W,AA,TP,1.8X3.2M	
R504	2001-000281	R-CARBON;1000HM,5%,1/8W,AA,TP,1.8X3.2MM		R919	2001-000411	R-CARBON;18KOHM,5%,1/8W,AA,TP,1.8X3.2MM	
R505	2001-000281	R-CARBON;1000HM,5%,1/8W,AA,TP,1.8X3.2MM		R920	2001-000780	R-CARBON;4700HM,5%,1/8W,AA,TP,1.8X3.2MM	
R506	2001-000515	R-CARBON;2200HM,5%,1/8W,AA,TP,1.8X3.2MM		R921	2001-000890	R-CARBON;6.8KOHM,5%,1/8W,AA,TP,1.8X3.2M	
R507	2001-000515	R-CARBON;2200HM,5%,1/8W,AA,TP,1.8X3.2MM		R922	2001-000890	R-CARBON;6.8KOHM,5%,1/8W,AA,TP,1.8X3.2M	
R508	2001-000281	R-CARBON;1000HM,5%,1/8W,AA,TP,1.8X3.2MM		R923	2001-000786	R-CARBON;47KOHM,5%,1/8W,AA,TP,1.8X3.2MM	
R509	2008-000266	R-FUSIBLE(S);1ohm,5%,2W,AF,TP,3.9x10mm		R924	2001-000786	R-CARBON;47KOHM,5%,1/8W,AA,TP,1.8X3.2MM	
R510	2008-000266	R-FUSIBLE(S);1ohm,5%,2W,AF,TP,3.9x10mm		R925	2001-001050	R-CARBON(S);1.5KOHM,5%,1/2W,AA,TP,2.4X6.	
R511	2008-001088	R-FUSIBLE(S);1ohm,5%,2W,AG,TP,3.9x12mm		R926	2001-001050	R-CARBON(S);1.5KOHM,5%,1/2W,AA,TP,2.4X6.	
R512	2001-000003	R-CARBON;330ohm,5%,1/8W,AA,TP,1.8x3.2mm		R927	2001-001050	R-CARBON(S);1.5KOHM,5%,1/2W,AA,TP,2.4X6.	
R513	2001-000281	R-CARBON;1000HM,5%,1/8W,AA,TP,1.8X3.2MM		R928	2001-000472	R-CARBON;2.7KOHM,5%,1/8W,AA,TP,1.8X3.2M	
R515	2001-000429	R-CARBON;1KOHM,5%,1/8W,AA,TP,1.8X3.2MM		R929	2001-000429	R-CARBON;1KOHM,5%,1/8W,AA,TP,1.8X3.2MM	
R516	2001-000429	R-CARBON;1KOHM,5%,1/8W,AA,TP,1.8X3.2MM		R930	2001-000734	R-CARBON;4.7KOHM,5%,1/8W,AA,TP,1.8X3.2M	
R517	2001-000290	R-CARBON;10KOHM,5%,1/8W,AA,TP,1.8X3.2MM		R931	2001-000734	R-CARBON;4.7KOHM,5%,1/8W,AA,TP,1.8X3.2M	
R518	2001-000786	R-CARBON;47KOHM,5%,1/8W,AA,TP,1.8X3.2MM		R932	2001-000734	R-CARBON;4.7KOHM,5%,1/8W,AA,TP,1.8X3.2M	
R524	2001-000739	R-CARBON;4.7MOHM,5%,1/8W,AA,TP,1.8X3.2M		R933	2001-000290	R-CARBON;10KOHM,5%,1/8W,AA,TP,1.8X3.2MM	
R525	2001-000739	R-CARBON;4.7MOHM,5%,1/8W,AA,TP,1.8X3.2M		R934	2001-000281	R-CARBON;1000HM,5%,1/8W,AA,TP,1.8X3.2MM	
R526	2001-000739	R-CARBON;4.7MOHM,5%,1/8W,AA,TP,1.8X3.2M		R935	2001-000281	R-CARBON;1000HM,5%,1/8W,AA,TP,1.8X3.2MM	
R528	2001-000429	R-CARBON;1KOHM,5%,1/8W,AA,TP,1.8X3.2MM		R936	2001-000281	R-CARBON;1000HM,5%,1/8W,AA,TP,1.8X3.2MM	
R531	2001-000739	R-CARBON;4.7MOHM,5%,1/8W,AA,TP,1.8X3.2M		R941	2001-000281	R-CARBON;1000HM,5%,1/8W,AA,TP,1.8X3.2MM	
R532	2001-000037	R-CARBON(S);330OHM,5%,1/2W,AA,TP,2.4X6.4		R942	2001-000281	R-CARBON;1000HM,5%,1/8W,AA,TP,1.8X3.2MM	
R626	2001-000411	R-CARBON;18KOHM,5%,1/8W,AA,TP,1.8X3.2MM		R943	2001-000890	R-CARBON;6.8KOHM,5%,1/8W,AA,TP,1.8X3.2M	
R627	2001-000411	R-CARBON;18KOHM,5%,1/8W,AA,TP,1.8X3.2MM		R944	2001-000890	R-CARBON;6.8KOHM,5%,1/8W,AA,TP,1.8X3.2M	
R661	2004-001970	R-METAL;1.8Kohm,1%,1/2W,AA,TP,6.5x2.5m		R945	2001-000429	R-CARBON;1KOHM,5%,1/8W,AA,TP,1.8X3.2MM	
R662	2004-001970	R-METAL;1.8Kohm,1%,1/2W,AA,TP,6.5x2.5m		R946	2001-000290	R-CARBON;10KOHM,5%,1/8W,AA,TP,1.8X3.2MM	
R665	2001-000052	R-CARBON(S);3.3KOHM,5%,1/2W,AA,TP,2.4X6.		R947	2001-000290	R-CARBON;10KOHM,5%,1/8W,AA,TP,1.8X3.2MM	
R666	2001-000052	R-CARBON(S);3.3KOHM,5%,1/2W,AA,TP,2.4X6.		R948	2001-000429	R-CARBON;1KOHM,5%,1/8W,AA,TP,1.8X3.2MM	
R668	2001-000780	R-CARBON;4700HM,5%,1/8W,AA,TP,1.8X3.2MM		R949	2001-000591	R-CARBON;3.3KOHM,5%,1/8W,AA,TP,1.8X3.2M	
R669	2001-001144	R-CARBON(S);4.7KOHM,5%,1/2W,AA,TP,2.4X6.		R950	2001-000429	R-CARBON;1KOHM,5%,1/8W,AA,TP,1.8X3.2MM	
R670	2001-000085	R-CARBON(S);100KOHM,5%,1/2W,AA,TP,2.4X6.		R951	2001-000591	R-CARBON;3.3KOHM,5%,1/8W,AA,TP,1.8X3.2M	
R671	2001-000066	R-CARBON(S);10KOHM,5%,1/2W,AA,TP,2.4X6.4		R952	2001-000281	R-CARBON;1000HM,5%,1/8W,AA,TP,1.8X3.2MM	
R672	2001-000066	R-CARBON(S);10KOHM,5%,1/2W,AA,TP,2.4X6.4		R953	2001-000734	R-CARBON;4.7KOHM,5%,1/8W,AA,TP,1.8X3.2M	
R673	2001-001086	R-CARBON(S);18KOHM,5%,1/2W,AA,TP,2.4X6.4		R954	2001-000281	R-CARBON;1000HM,5%,1/8W,AA,TP,1.8X3.2MM	
R673A	2001-001144	R-CARBON(S);4.7KOHM,5%,1/2W,AA,TP,2.4X6.		R955	2001-000734	R-CARBON;4.7KOHM,5%,1/8W,AA,TP,1.8X3.2M	
R674	2001-000780	R-CARBON;4700HM,5%,1/8W,AA,TP,1.8X3.2MM		R958	2001-000281	R-CARBON;1000HM,5%,1/8W,AA,TP,1.8X3.2MM	
R675	2001-000066	R-CARBON(S);10KOHM,5%,1/2W,AA,TP,2.4X6.4		R959	2001-000281	R-CARBON;1000HM,5%,1/8W,AA,TP,1.8X3.2MM	
R676	2001-000812	R-CARBON;5.6KOHM,5%,1/8W,AA,TP,1.8X3.2M		R960	2001-000281	R-CARBON;1000HM,5%,1/8W,AA,TP,1.8X3.2MM	
R677	2001-000290	R-CARBON;10KOHM,5%,1/8W,AA,TP,1.8X3.2MM		R961	2001-000734	R-CARBON;4.7KOHM,5%,1/8W,AA,TP,1.8X3.2M	
R678	2001-000008	R-CARBON;15KOHM,5%,1/8W,AA,TP,1.8X3.2MM		R962	2001-000854	R-CARBON;56KOHM,5%,1/8W,AA,TP,1.8X3.2MM	
R679	2001-001071	R-CARBON(S);12KOHM,5%,1/2W,AA,TP,2.4X6.4		R963	2001-000591	R-CARBON;3.3KOHM,5%,1/8W,AA,TP,1.8X3.2M	
R680	2001-001000	R-CARBON;82KOHM,5%,1/8W,AA,TP,1.8X3.2MM		R964	2001-000734	R-CARBON;4.7KOHM,5%,1/8W,AA,TP,1.8X3.2M	
R681	2004-001970	R-METAL;1.8Kohm,1%,1/2W,AA,TP,6.5x2.5m		R965	2001-000734	R-CARBON;4.7KOHM,5%,1/8W,AA,TP,1.8X3.2M	
R682	2004-002019	R-METAL(S);33Kohm,1%,1/2W,AA,TP,2.5x6.5m		R967	2001-000429	R-CARBON;1KOHM,5%,1/8W,AA,TP,1.8X3.2MM	
R683	2004-002019	R-METAL(S);33Kohm,1%,1/2W,AA,TP,2.5x6.5m		R968	2001-000429	R-CARBON;1KOHM,5%,1/8W,AA,TP,1.8X3.2MM	
R684	2004-001970	R-METAL;1.8Kohm,1%,1/2W,AA,TP,6.5x2.5m		R970	2001-000429	R-CARBON;1KOHM,5%,1/8W,AA,TP,1.8X3.2MM	
R685	2004-001390	R-METAL(S);1Kohm,2%,1/2W,AA,TP,2.4x6.4mm		R971	2001-000812	R-CARBON;5.6KOHM,5%,1/8W,AA,TP,1.8X3.2M	
R686	2004-001390	R-METAL(S);1Kohm,2%,1/2W,AA,TP,2.4x6.4mm		R974	2001-001088	R-CARBON(S);1KOHM,5%,1/2W,AA,TP,2.4X6.4M	
R687	2001-001146	R-CARBON(S);4.7OHM,5%,1/2W,AA,TP,2.4X6.4		R976	2001-000429	R-CARBON;1KOHM,5%,1/8W,AA,TP,1.8X3.2MM	
R689	2001-001146	R-CARBON(S);4.7OHM,5%,1/2W,AA,TP,2.4X6.4		R977	2001-001062	R-CARBON(S);10MOHM,5%,1/2W,AA,TP,2.4X6.4	
R701	2001-000786	R-CARBON;47KOHM,5%,1/8W,AA,TP,1.8X3.2MM		R978	2001-000290	R-CARBON;10KOHM,5%,1/8W,AA,TP,1.8X3.2MM	
R702	2001-000290	R-CARBON;10KOHM,5%,1/8W,AA,TP,1.8X3.2MM		R979	2001-000281	R-CARBON;1000HM,5%,1/8W,AA,TP,1.8X3.2MM	
R703	2001-000290	R-CARBON;10KOHM,5%,1/8W,AA,TP,1.8X3.2MM		R980	2001-000290	R-CARBON;10KOHM,5%,1/8W,AA,TP,1.8X3.2MM	
R704	2001-000290	R-CARBON;10KOHM,5%,1/8W,AA,TP,1.8X3.2MM		R981	2001-000577	R-CARBON;2KOHM,5%,1/8W,AA,TP,1.8X3.2MM	
R711	2001-000734	R-CARBON;4.7KOHM,5%,1/8W,AA,TP,1.8X3.2M		R982	2001-000577	R-CARBON;2KOHM,5%,1/8W,AA,TP,1.8X3.2MM	
R712	2001-000734	R-CARBON;4.7KOHM,5%,1/8W,AA,TP,1.8X3.2M		R983	2001-000577	R-CARBON;2KOHM,5%,1/8W,AA,TP,1.8X3.2MM	
R713	2001-000522	R-CARBON;22KOHM,5%,1/8W,AA,TP,1.8X3.2MM		RF802	2008-000294	R-FUSIBLE(S);33ohm,5%,2W,AF,TP,3.9x10mm	
R714	2001-000633	R-CARBON;30KOHM,5%,1/8W,AA,TP,1.8X3.2MM		RL801	3501-001053	RELAY-POWER;5VDC,530MW,10A,1FORMA,15MS,5	
R715	2001-000429	R-CARBON;1KOHM,5%,1/8W,AA,TP,1.8X3.2MM		RF09	2004-001379	R-METAL(S);12Kohm,1%,1/2W,AA,TP,2.4x6.4m	
R716	2001-000290	R-CARBON;10KOHM,5%,1/8W,AA,TP,1.8X3.2MM		RF10	2001-001128	R-CARBON(S);30KOHM,5%,1/2W,AA,TP,2.4X6.4	
R717	2001-000508	R-CARBON;220KOHM,5%,1/8W,AA,TP,1.8X3.2M		RF12	2001-000449	R-CARBON;2.2KOHM,5%,1/8W,AA,TP,1.8X3.2M	
R801	2003-002161	R-METAL OXIDE(S);22KOHM,5%,3W,AG,TP,6X16		RF13	2001-000429	R-CARBON;1KOHM,5%,1/8W,AA,TP,1.8X3.2MM	
RF02	1404-001075	THERMISTOR-NTC,5ohm,15%,-.17mW/C,TP		RF14	2001-000066	R-CARBON(S);10KOHM,5%,1/2W,AA,TP,2.4X6.4	
RF01	2001-000734	R-CARBON;4.7KOHM,5%,1/8W,AA,TP,1.8X3.2M		RF19	2001-000290	R-CARBON;10KOHM,5%,1/8W,AA,TP,1.8X3.2MM	
RF03	2001-000429	R-CARBON;1KOHM,5%,1/8W,AA,TP,1.8X3.2MM		RF20	2001-000449	R-CARBON;2.2KOHM,5%,1/8W,AA,TP,1.8X3.2M	
RF04	2001-000290	R-CARBON;10KOHM,5%,1/8W,AA,TP,1.8X3.2MM		RS801	2001-001093	R-CARBON(S);2.2KOHM,5%,1/2W,AA,TP,2.4X6.4	
RF05	2001-000734	R-CARBON;4.7KOHM,5%,1/8W,AA,TP,1.8X3.2M		RS803	2001-001159	R-CARBON(S);510OHM,5%,1/2W,AA,TP,2.4X6.4	
RF06	2001-000429	R-CARBON;1KOHM,5%,1/8W,AA,TP,1.8X3.2MM		RS804	2001-001182	R-CARBON(S);7.5KOHM,5%,1/2W,AA,TP,2.4X6.	

Loc. No.	Code No.	Description ; Specification	Remark
RS805	2001-001107	R-CARBON(S);220ohm,5%,1/2W,AA,TP,2.4x6.4	
RS806	2001-001159	R-CARBON(S);5100HM,5%,1/2W,AA,TP,2.4X6.4	
RS807	2001-001192	R-CARBON(S);8200HM,5%,1/2W,AA,TP,2.4X6.4	
SCASE	AA63-40027A	SHIELD-CASE,F,-,SPT,E,TO,25,ACT51A,K1025,	
SF01	2904-000288	FILTER-SAW AV,45.75MHZ,SIP5P,ST,13.7dB,N	
TS801	AA26-00019A	TRANS-SWITCHING,-,AC80-260V,-,US,-,4MH,B	
X101	2802-001054	RESONATOR-CERAMIC;514.5KHZ,1.5KHZ,BK,7.0	
X901	2801-003224	CRYSTAL-UNIT;32.768KHZ,20PPM,28-AAY,12.5	

ASSY-CABINET

*AA90-00119A ASSY-CABINET;552W,HCJ552WX/XAA

AC+BCM	AA60-10011A	SCREW-TAPTITE;HH,+PC,M4,L12,ZPC(BLK),SW
ASSYCR	AA63-60040B	SPACER-DIECAST;PU,-,225X23,S4388,-
BACKC	AA64-31213B	CABINET-BACK-TOP,-,555J,-,HIPS,HB,BLK,-
BACKC	AA64-00524A	CABINET-BACK,BOARD,-,552W,HARDBOARD,HIPS
BANDP	AA63-10007C	BAND-PP,-,W18,-,CLEAR,1G,-
BCM+BP	AA60-10011A	SCREW-TAPTITE;HH,+PC,M4,L12,ZPC(BLK),SW
BCM+CW	AA60-10001A	SCREW-ASSY;WP,-,M6,L20,SCM30C,-,ZPC(YE
BHV+BC	AA60-10011A	SCREW-TAPTITE;HH,+PC,M4,L12,ZPC(BLK),SW
BM+CBT	6002-000522	SCREW-TAPPING;TH,+2,M4,L15,ZPC(BLK),SWR
BRACKC	AA61-00155B	BRACKET-CRT,MAIN,-,X-RAY HC,J555W,SECC,T1
BRACKH	AA61-10149A	BRACKET-HV,-,S4388,SECC,T1,0,-,-
BRACKM	AA61-11021A	BRACKET-MIRROR,TOP,-,SECC-1,T1,0,-,-
BRACKM	AA61-11022A	BRACKET-MIRROR,SIDE,-,SECC-1,T1,0,-,-
BRACKS	AA61-11023A	BRACKET-SCREEN,TOP,-,SECC-1,T1,0,-,-
BRACKS	AA61-11024A	BRACKET-SCREEN,SIDE,-,SECC-1,T1,0,-,-
BS+CF	AA60-10011A	SCREW-TAPTITE;HH,+PC,M4,L12,ZPC(BLK),SW
CAC+CB	6003-001026	SCREW-TAPTITE;RH,+B,M4,L15,ZPC(BLK),SWR
CASE-M	6002-000522	SCREW-TAPPING;TH,+2,M4,L15,ZPC(BLK),SWR
CASE-M	AA64-31259A	CASE-MIRROR,-,SPT-555JHD,-,WOOD,-,-,-
CBT+CW	AA60-10050W	SCREW-WOOD;W/H,+M4,20,ZPC(BLK),SWRCH18A
CBW+CW	AA60-10050W	SCREW-WOOD;W/H,+M4,20,ZPC(BLK),SWRCH18A
CBW+HC	AA60-10050W	SCREW-WOOD;W/H,+M4,20,ZPC(BLK),SWRCH18A
CBW+TB	AA60-10050W	SCREW-WOOD;W/H,+M4,20,ZPC(BLK),SWRCH18A
CF+CW	AA60-10050W	SCREW-WOOD;W/H,+M4,20,ZPC(BLK),SWRCH18A
CLAMP C	AA65-30008A	CLAMP-CORD;PE,HB,BLK,-,-,-
CLAMPW	AA65-30105B	CLAMP-WIRE;NYLON 66,V2,NTR,25MM,ALL MODE
CM+CF	6002-000522	SCREW-TAPPING;TH,+2,M4,L15,ZPC(BLK),SWR
CM+CW	6002-000522	SCREW-TAPPING;TH,+2,M4,L15,ZPC(BLK),SWR
CM+CW	AA60-10050W	SCREW-WOOD;W/H,+M4,20,ZPC(BLK),SWRCH18A
COVERW	AA63-30225A	COVER-WOOD,-,SPT-555JHD,-,WOOD,-,-,-
CW+CW	AA60-10050W	SCREW-WOOD;W/H,+M4,20,ZPC(BLK),SWRCH18A
DNPS	AA67-70055A	SCREEN;DNP,55W,-,TINT=10%,2.7,1251
DOOR+C	6002-000522	SCREW-TAPPING;TH,+2,M4,L15,ZPC(BLK),SWR
DOOR+C	AA60-10050W	SCREW-WOOD;W/H,+M4,20,ZPC(BLK),SWRCH18A
FOCUS+	6003-001023	SCREW-TAPTITE;RWH,+B,M3,L10,ZPC(YEL),SW
HOLDB	AA61-20285A	HOLDER-BOX,-,3456,PPVO,WHT,-
HV+BHV	6003-001023	SCREW-TAPTITE;RWH,+B,M3,L10,ZPC(YEL),SW
LEGF	AA64-80052A	LEG-FRONT,-,SPT555JHD,DG703PHIPS,HB,BLK
LF+CW	AA60-10050W	SCREW-WOOD;W/H,+M4,20,ZPC(BLK),SWRCH18A
MIDDL C	AA64-31316B	CABINET-MIDDLE,-,HCH551W,DG-703PHIPS,HB
MIRFRO	AA67-20028A	MIRROR-FRONT;55W,GLASS,T=3.0,-,FSM,1074
PADT	AA69-10174A	PAD-TYPE;CB DW-2,YEL,1450,240,-,555JH
PADT	AA69-10175A	PAD-TYPE;CB DW-2,YEL,1500,567,-,555JH
PALLET	AA69-70003A	PALLET-SET;PAPER+BLOCK,1450,750,136,-,-
PINSTAP	AA60-40006A	PIN-STAPLE,-,H18,33X17.8X2.4,-,AUTO
SPACEC	AA63-60119A	SPACER-COVER,BRACKET;FELT,TO.5,BLK,630X3
SUNS	AA67-00053A	SUN-SCREEN,-,55W,H/C,A/S,PMMA,T=82%,T2.

ASSY-CHASSIS

*AA90-00121B ASSY-CHASSIS,PART;P51A,HCJ552W NT

CON+HC	6003-001023	SCREW-TAPTITE;RWH,+B,M3,L10,ZPC(YEL),SW
DF+FBT	6003-001023	SCREW-TAPTITE;RWH,+B,M3,L10,ZPC(YEL),SW
DF+HC	6003-001023	SCREW-TAPTITE;RWH,+B,M3,L10,ZPC(YEL),SW
HOLDC	AA61-00051B	HOLDER-CHASSIS,-,PCJ533R,ABS,VO,GRAY,E-2
HV	AA61-10149A	BRACKET-HV,-,S4388,SECC,T1,0,-,-
HV+BH	6003-001023	SCREW-TAPTITE;RWH,+B,M3,L10,ZPC(YEL),SW
MP+HC	6003-001023	SCREW-TAPTITE;RWH,+B,M3,L10,ZPC(YEL),SW
SCREW T	AA60-10011A	SCREW-TAPTITE;HH,+PC,M4,L12,ZPC(BLK),SW

Loc. No.	Code No.	Description ; Specification	Remark
TBA+AV	6002-000522	SCREW-TAPPING;TH,+2,M4,L15,ZPC(BLK),SWR	
TBA+HC	6003-001023	SCREW-TAPTITE;RWH,+B,M3,L10,ZPC(YEL),SW	

ASSY-CABINET,WOOD

*AA91-00175A ASSY-CABINET,WOOD,-,WOOD,-,HCJ552W

BACKF	AA61-10247A	BRACKET-FOCUS,-,S46DS,SECC,T1,0,-,-
BACKG	AA61-10387A	BRACKET-GRILLE,-,SVP-462J,SECC-1,T0.5,-
BF+CW	AA60-10051A	SCREW-WOOD;PH,+M4,L16,ZPC(BLK),SWRCH18A
BOSSW	AA61-40019A	BOSS-WOOD,-,ABS,VO,GRY,-,-
CABWOO	AA60-10050X	SCREW-WOOD;FH,+M3.5,L32,ZPC(YEL),SWRCH1
C-AL	2401-003494	C-AL;2.7uF,10%,100V,BP,BK,10x13mm,5
CAS+CW	AA60-10051A	SCREW-WOOD;PH,+M4,L16,ZPC(BLK),SWRCH18A
CASP	AA61-90010A	CASTER,PROJECTION,NY,LS,H56,DD40,W18,-
CBNETW	AA64-00436A	CABINET-WOOD,-,HCJ552W,-,WOOD,-,BLK,-,-
CLAMW	AA65-30115A	CLAMP-WIRE;FE,-,BLK,2X150,PRJT,-
HL+CW	AA60-10051A	SCREW-WOOD;PH,+M4,L16,ZPC(BLK),SWRCH18A
HOLDL	AA61-20298A	HOLDER-LEG,-,SPT555JHD,ABS,HB,BLK,-
HOLDM	AA61-20136A	HOLDER-MASK;PIN,-,S4388,NYLON,-,BLK,#066
HOLDR	AA61-00094B	HOLDER-RAIL,-,PCJ533R,ABS,HB,BLK,240
HOLDR	AA61-00094C	HOLDER-RAIL,-,PCJ533R,ABS,HB,BLK,480
HOLDW	AA61-00097A	HOLDER-WIRE,-,SPT555JHD,ABS,HB,BLK,-
LEADC	AA39-20505P	LEAD CONNECTOR-ASSY,-,YSH025-04,REC,4P,1
ROLLP	AA66-40010A	ROLLER-PAPER,PAPER,OD50,L80,T3,-,SPT-521
SPACF	AA63-60126A	SPACER-FELT;FELT,T2,BLK,1160X15,PRJT,43.5
SPACF	AA63-60126B	SPACER-FELT;FELT,T2,BLK,850X15,PRJT,52-
SPK+CW	AA60-10051A	SCREW-WOOD;PH,+M4,L16,ZPC(BLK),SWRCH18A
W-SPK	3001-000153	SPEAKER;20W,8ohm,93dB,1.3KHz
W-SPK	3001-001062	SPEAKER;15W,8ohm,94dB,45Hz

ASSY-CABINET,BOTTOM

*AA91-10404A ASSY-CABINET,BOTTOM,-,HCH551W, JERSEY SPO

CBNETF	AA64-31212A	CABINET-FRONT,BOT,-,SPT555JHD,SACHUL,HIP
HOLDP	AA61-20295A	HOLDER-PIN,-,SPT555JHD,ABS,HB,BLK,-
PINM	AA60-40009A	PIN-MASK,-,-,-,NYLON,66,-

ASSY-CRT-(R)

*AA94-01287A ASSY-CRT-(R);P16LNM07RJA,+380MG,7,BARE.

ASSYW	AA91-00103C	ASSY-WIRE,CRT,-,7CRT,PROJECTION
BRACKC	AA61-00055C	BRACKET-CRT,WIRE,-,PJT,SUS304 1/8H,-,-,-
BRACKC	AA61-00054B	BRACKET-EARTH,-,PROJECTION,PBS,-,-,-,-
BRACKL	AA61-00056B	BRACKET-LENS,-,PROJECTION,SECC,T1.6,-,-
BRACKW	AA61-00053B	BRACKET-WIRE,-,PROJECTION,SECC-1,T1.6,-
CASEC	AA64-00206B	CASE-COUPLER,RED,-,PROJECTION,-,ALDCB,-
DEFYC	AA27-50005C	DEFLECTION-YOKE,-,DPD-4392AL,43/PJT,CRT,
ETHYG	0204-001148	ETHYLENE GLYCOL;MS-S02,CH20HCH20H,80,20
HOLDC	AA61-00057C	HOLDER-CAP,-,7 PROJECTION,PC,-,CLEAR,-
LEADC	AA39-00018A	LEAD CONNECTOR-ASSY,-,YFH800-01,YRH187RH
LENSA	AA67-10066A	LENS-ASSY;DELTA 37,-,CLEAR A/B,-,-,-
MAGNET	AA27-00003B	MAGNET-CONVERGENCE,-,JH92LT-029,29.1MM
MONOC	AA03-10026U	CRT-MONO,-,P16LNM07RJA,-,7INCH,90deg,90
SCREW T	AA60-10011A	SCREW-TAPTITE;HH,+PC,M4,L12,ZPC(BLK),SW
SENSD	AA67-10008A	LENS,-,DELTA,RED,PJT,-,77,79,-
SPACD	AA63-60025A	SPACER-DY;NEOPRENE,-,BLK,VO,S4388,-
SPACF	AA63-00099A	SPACER-FELT;FELT,T1,0,BLK,-,PJT,-
SPACL	AA63-00076A	SPACER-LENS;FELT,T1,0,BROWN,7CRT,PROJE

ASSY-CRT-(G)

*AA94-01288A ASSY-CRT-(G);P16LNM07HKA,+380MG,7,BARE.

ASSYW	AA91-00103C	ASSY-WIRE,CRT,-,7CRT,PROJECTION
BRACKC	AA61-00055C	BRACKET-CRT,WIRE,-,PJT,SUS304 1/8H,-,-,-
BRACKC	AA61-00054B	BRACKET-EARTH,-,PROJECTION,PBS,-,-,-,-
BRACKL	AA61-00056B	BRACKET-LENS,-,PROJECTION,SECC,T1.6,-,-

Loc. No.	Code No.	Description ; Specification	Remark
CP42	2401-001914	C-AL;1uF,20%,50V,BT,TP5x11,5	
CP43	2203-000218	C-CERAMIC,CHIP;100nF,20%,50V,Y5V,TP,2012	
CP44	2203-002392	C-CERAMIC,CHIP;220nF,+80-20%,50V,Y5V,TP	
CP45	2201-000273	C-CERAMIC,DISC;180nF,5%,50V,CH,TP,5x3mm,5	
CP46	2203-000218	C-CERAMIC,CHIP;100nF,20%,50V,Y5V,TP,2012	
CP47	2203-002392	C-CERAMIC,CHIP;220nF,+80-20%,50V,Y5V,TP	
CP48	2203-001002	C-CERAMIC,CHIP;0.047nF,5%,50V,NPO,TP,2012	
CT01	2401-000242	C-AL;100uF,20%,10V,GP,TP,5x11,5	
CT02	2203-000218	C-CERAMIC,CHIP;100nF,20%,50V,Y5V,TP,2012	
DP01	0401-000133	DIODE-SWITCHING;RLS4148,100V,200mA,SOD-8	
DZP02	0403-000662	DIODE-ZENER;MTZ3.0B,3.0V,3.01-3.22V,500m	
H001	AA61-10068A	BRACKET-PCB-;M2160,SPT,TO 3,---	
△ICP01	1001-001022	IC-ANALOG SWITCH;TDA8601,BLANKING,DIP,16	
△ICP02	1204-000530	IC-PAL/NTSC DECODER;TDA9160A,DIP,32P,400	
△ICP03	1204-001175	IC-PICTURE PROCESS;SDA9288X A141,SOP,32P	
JP01	2007-000029	R-CHIP;0OHM,5%,1/10W,DA,TP,2012	
JP02	2007-000029	R-CHIP;0OHM,5%,1/10W,DA,TP,2012	
LP01	2701-000114	INDUCTOR-AXIAL;10uH,10%,2.5x3.4mm	
LP05	2701-000114	INDUCTOR-AXIAL;10uH,10%,2.5x3.4mm	
LP09	2701-000114	INDUCTOR-AXIAL;10uH,10%,2.5x3.4mm	
LP10	2701-000114	INDUCTOR-AXIAL;10uH,10%,2.5x3.4mm	
LP11	2701-000114	INDUCTOR-AXIAL;10uH,10%,2.5x3.4mm	
LT01	2701-000114	INDUCTOR-AXIAL;10uH,10%,2.5x3.4mm	
PCB	AA41-00057A	PCB-PIP;P51A,2L,FR-4,245X245X1.6T,6A,V	
QP01	0501-000280	TR-SMALL SIGNAL;KSA1182,PNP,150mW,SOT-23	
QP02	0501-000280	TR-SMALL SIGNAL;KSA1182,PNP,150mW,SOT-23	
QP03	0501-000280	TR-SMALL SIGNAL;KSA1182,PNP,150mW,SOT-23	
QP04	0501-000280	TR-SMALL SIGNAL;KSA1182,PNP,150mW,SOT-23	
QP05	0501-000342	TR-SMALL SIGNAL;KSC1623-Y,NPN,200mW,SOT-	
QP06	0501-000342	TR-SMALL SIGNAL;KSC1623-Y,NPN,200mW,SOT-	
QP07	0501-000342	TR-SMALL SIGNAL;KSC1623-Y,NPN,200mW,SOT-	
QP08	0501-000280	TR-SMALL SIGNAL;KSA1182,PNP,150mW,SOT-23	
QP09	0501-000342	TR-SMALL SIGNAL;KSC1623-Y,NPN,200mW,SOT-	
QP10	0501-000342	TR-SMALL SIGNAL;KSC1623-Y,NPN,200mW,SOT-	
RP01	2007-000300	R-CHIP;10KOHM,5%,1/10W,DA,TP,2012	
RP02	2007-001166	R-CHIP;75OHM,5%,1/10W,DA,TP,2012	
RP03	2007-000468	R-CHIP;1KOHM,5%,1/10W,DA,TP,2012	
RP04	2007-000300	R-CHIP;10KOHM,5%,1/10W,DA,TP,2012	
RP05	2007-001166	R-CHIP;75OHM,5%,1/10W,DA,TP,2012	
RP06	2007-000468	R-CHIP;1KOHM,5%,1/10W,DA,TP,2012	
RP07	2007-000300	R-CHIP;10KOHM,5%,1/10W,DA,TP,2012	
RP08	2007-001166	R-CHIP;75OHM,5%,1/10W,DA,TP,2012	
RP09	2007-000468	R-CHIP;1KOHM,5%,1/10W,DA,TP,2012	
RP10	2007-000766	R-CHIP;330OHM,5%,1/10W,DA,TP,2012	
RP11	2007-000468	R-CHIP;1KOHM,5%,1/10W,DA,TP,2012	
RP12	2007-000029	R-CHIP;0OHM,5%,1/10W,DA,TP,2012	
RP13	2007-000572	R-CHIP;220OHM,5%,1/10W,DA,TP,2012	
RP14	2007-000029	R-CHIP;0OHM,5%,1/10W,DA,TP,2012	
RP15	2007-000572	R-CHIP;220OHM,5%,1/10W,DA,TP,2012	
RP16	2007-000029	R-CHIP;0OHM,5%,1/10W,DA,TP,2012	
RP17	2007-000572	R-CHIP;220OHM,5%,1/10W,DA,TP,2012	
RP18	2007-001166	R-CHIP;75OHM,5%,1/10W,DA,TP,2012	
RP19	2007-001166	R-CHIP;75OHM,5%,1/10W,DA,TP,2012	
RP20	2007-000290	R-CHIP;100OHM,5%,1/10W,DA,TP,2012	
RP21	2007-000290	R-CHIP;100OHM,5%,1/10W,DA,TP,2012	
RP22	2007-000300	R-CHIP;10KOHM,5%,1/10W,DA,TP,2012	
RP23	2007-000830	R-CHIP;39KOHM,5%,1/10W,DA,TP,2012	
RP24	2007-000493	R-CHIP;2.2KOHM,5%,1/10W,DA,TP,2012	
RP25	2007-000409	R-CHIP;15KOHM,5%,1/10W,DA,TP,2012	
RP26	2007-000290	R-CHIP;100OHM,5%,1/10W,DA,TP,2012	
RP28	2007-000001	R-CHIP;68KOHM,5%,1/10W,DA,TP,2012	
RP29	2007-000872	R-CHIP;4.7KOHM,5%,1/10W,DA,TP,2012	
RP30	2007-000872	R-CHIP;4.7KOHM,5%,1/10W,DA,TP,2012	
RP31	2007-001071	R-CHIP;6.8KOHM,5%,1/10W,DA,TP,2012	
RP32	2007-000642	R-CHIP;270OHM,5%,1/10W,DA,TP,2012	
RP33	2007-000401	R-CHIP;150OHM,5%,1/10W,DA,TP,2012	
RP34	2007-000872	R-CHIP;4.7KOHM,5%,1/10W,DA,TP,2012	
RP35	2007-000844	R-CHIP;3KOHM,5%,1/10W,DA,TP,2012	
RP36	2007-000844	R-CHIP;3KOHM,5%,1/10W,DA,TP,2012	
RP37	2007-000023	R-CHIP;120OHM,5%,1/10W,DA,TP,2012	
RP38	2007-000572	R-CHIP;220OHM,5%,1/10W,DA,TP,2012	
RP39	2007-000822	R-CHIP;390OHM,5%,1/10W,DA,TP,2012	
RP40	2007-001001	R-CHIP;510OHM,5%,1/10W,DA,TP,2012	
RP41	2007-000572	R-CHIP;220OHM,5%,1/10W,DA,TP,2012	
RP42	2007-001001	R-CHIP;510OHM,5%,1/10W,DA,TP,2012	
RP43	2007-000572	R-CHIP;220OHM,5%,1/10W,DA,TP,2012	
RP44	2007-001001	R-CHIP;510OHM,5%,1/10W,DA,TP,2012	

Loc. No.	Code No.	Description ; Specification	Remark
RP45	2007-000572	R-CHIP;220OHM,5%,1/10W,DA,TP,2012	
RP46	2007-001009	R-CHIP;51KOHM,5%,1/10W,DA,TP,2012	
RP47	2007-000774	R-CHIP;33KOHM,5%,1/10W,DA,TP,2012	
RP48	2007-000931	R-CHIP;470OHM,5%,1/10W,DA,TP,2012	
RP49	2007-000401	R-CHIP;150OHM,5%,1/10W,DA,TP,2012	
RP50	2007-001001	R-CHIP;510OHM,5%,1/10W,DA,TP,2012	
RP51	2007-000572	R-CHIP;220OHM,5%,1/10W,DA,TP,2012	
RP52	2007-000728	R-CHIP;300OHM,5%,1/10W,DA,TP,2012	
RP53	2007-000931	R-CHIP;470OHM,5%,1/10W,DA,TP,2012	
RP54	2007-000872	R-CHIP;4.7KOHM,5%,1/10W,DA,TP,2012	
RP55	2007-000477	R-CHIP;1MOHM,5%,1/10W,DA,TP,2012	
RP56	2007-000593	R-CHIP;220HM,5%,1/10W,DA,TP,2012	
RP57	2007-000409	R-CHIP;15KOHM,5%,1/10W,DA,TP,2012	
RP58	2007-000703	R-CHIP;3.6KOHM,5%,1/10W,DA,TP,2012	
RP59	2001-001077	R-CARBON(S);150OHM,5%,1/2W,AA,TP,2.4X6.4	
RP60	2007-000844	R-CHIP;3KOHM,5%,1/10W,DA,TP,2012	
RP61	2007-000468	R-CHIP;1KOHM,5%,1/10W,DA,TP,2012	
RP62	2007-000964	R-CHIP;5.1KOHM,5%,1/10W,DA,TP,2012	
RP63	2007-000468	R-CHIP;1KOHM,5%,1/10W,DA,TP,2012	
RP64	2007-001166	R-CHIP;75OHM,5%,1/10W,DA,TP,2012	
RP65	2007-000468	R-CHIP;1KOHM,5%,1/10W,DA,TP,2012	
RP66	2007-000468	R-CHIP;1KOHM,5%,1/10W,DA,TP,2012	
RP71	2007-001166	R-CHIP;75OHM,5%,1/10W,DA,TP,2012	
RP72	2007-001166	R-CHIP;75OHM,5%,1/10W,DA,TP,2012	
RP73	2007-001166	R-CHIP;75OHM,5%,1/10W,DA,TP,2012	
RP74	2007-000572	R-CHIP;220OHM,5%,1/10W,DA,TP,2012	
RP99	2007-000029	R-CHIP;0OHM,5%,1/10W,DA,TP,2012	
XP01	2801-000274	CRYSTAL-UNIT;4.433619MHz,30PPM,28-AAM,20	
XP02	2801-000235	CRYSTAL-UNIT;3.579545MHz,40ppm,28-AAM,S	
XP03	2801-003485	CRYSTAL-UNIT;21.059153MHz,30ppm,28-ABO,1	

ASSY-F/CONVERTER

*AA95-00279A ASSY-F/CONVERTER-;PCJ533R,P51A,NTSC-;U

Loc. No.	Code No.	Description ; Specification	Remark
CASES	AA63-40037A	SHIELD-CASE-;SPT,TO 5,SCT12A,-	
CF10	2203-000260	C-CERAMIC,CHIP;10nF,10%,50V,X7R,TP,2012	
CF11	2401-001840	C-AL;100uF,20%,16V,GP,TP,6.3x11,5	
CF12	2203-000218	C-CERAMIC,CHIP;100nF,20%,50V,Y5V,TP,2012	
CF13	2401-001513	C-AL;47uF,20%,16V,WT,TP,5x11,5	
CF14	2203-000218	C-CERAMIC,CHIP;100nF,20%,50V,Y5V,TP,2012	
CF15	2203-000429	C-CERAMIC,CHIP;0.018nF,5%,50V,NPO,TP,201	
CF16	2203-000634	C-CERAMIC,CHIP;0.022nF,5%,50V,NPO,TP,201	
CF17	2203-000429	C-CERAMIC,CHIP;0.018nF,5%,50V,NPO,TP,201	
CF18	2203-000883	C-CERAMIC,CHIP;0.027nF,5%,50V,NPO,TP,201	
CF19	2203-000218	C-CERAMIC,CHIP;100nF,20%,50V,Y5V,TP,2012	
CF21	2203-000218	C-CERAMIC,CHIP;100nF,20%,50V,Y5V,TP,2012	
CF22	2203-000218	C-CERAMIC,CHIP;100nF,20%,50V,Y5V,TP,2012	
CF23	2401-001513	C-AL;47uF,20%,16V,WT,TP,5x11,5	
CF24	2203-000218	C-CERAMIC,CHIP;100nF,20%,50V,Y5V,TP,2012	
CF25	2203-000218	C-CERAMIC,CHIP;100nF,20%,50V,Y5V,TP,2012	
CF26	2203-000218	C-CERAMIC,CHIP;100nF,20%,50V,Y5V,TP,2012	
CF27	2203-000218	C-CERAMIC,CHIP;100nF,20%,50V,Y5V,TP,2012	
CF28	2401-001513	C-AL;47uF,20%,16V,WT,TP,5x11,5	
CF29	2401-001513	C-AL;47uF,20%,16V,WT,TP,5x11,5	
CF30	2203-000218	C-CERAMIC,CHIP;100nF,20%,50V,Y5V,TP,2012	
CF31	2203-000218	C-CERAMIC,CHIP;100nF,20%,50V,Y5V,TP,2012	
CF32	2203-000218	C-CERAMIC,CHIP;100nF,20%,50V,Y5V,TP,2012	
CF33	2203-000218	C-CERAMIC,CHIP;100nF,20%,50V,Y5V,TP,2012	
CF34	2203-000218	C-CERAMIC,CHIP;100nF,20%,50V,Y5V,TP,2012	
CF35	2203-000218	C-CERAMIC,CHIP;100nF,20%,50V,Y5V,TP,2012	
CF37	2203-000218	C-CERAMIC,CHIP;100nF,20%,50V,Y5V,TP,2012	
CF38	2401-001513	C-AL;47uF,20%,16V,WT,TP,5x11,5	
CF39	2203-000218	C-CERAMIC,CHIP;100nF,20%,50V,Y5V,TP,2012	
CF40	2203-000218	C-CERAMIC,CHIP;100nF,20%,50V,Y5V,TP,2012	
CF41	2203-000218	C-CERAMIC,CHIP;100nF,20%,50V,Y5V,TP,2012	
CF42	2203-000218	C-CERAMIC,CHIP;100nF,20%,50V,Y5V,TP,2012	
CF44	2404-000151	C-TA,CHIP;1uF,20%,16V-,TP,3216,-	
CF45	2203-001158	C-CERAMIC,CHIP;0.068nF,5%,50V,NPO,TP,201	
CF46	2404-000151	C-TA,CHIP;1uF,20%,16V-,TP,3216,-	
CF47	2203-001158	C-CERAMIC,CHIP;0.068nF,5%,50V,NPO,TP,201	
CF48	2404-000151	C-TA,CHIP;1uF,20%,16V-,TP,3216,-	
CF49	2203-001158	C-CERAMIC,CHIP;0.068nF,5%,50V,NPO,TP,201	
CF50	2203-000218	C-CERAMIC,CHIP;100nF,20%,50V,Y5V,TP,2012	
CF51	2203-000218	C-CERAMIC,CHIP;100nF,20%,50V,Y5V,TP,2012	

Loc. No.	Code No.	Description : Specification	Remark	Loc. No.	Code No.	Description : Specification	Remark
CF52	2203-000316	C-CERAMIC,CHIP,0.12nF,5%,50V,NP0,TP,2012		RF31	2007-000781	R-CHIP;330HM,5%,1/10W,DA,TP,2012	
CF53	2203-000316	C-CERAMIC,CHIP,0.12nF,5%,50V,NP0,TP,2012		RF32	2007-000781	R-CHIP;330HM,5%,1/10W,DA,TP,2012	
CF54	2404-000235	C-TA,CHIP,4.7uF,20%,16V,-,TP,3528,1.4		RF33	2007-000781	R-CHIP;330HM,5%,1/10W,DA,TP,2012	
CF55	2203-000218	C-CERAMIC,CHIP;100nF,20%,50V,Y5V,TP,2012		RF34	2007-000781	R-CHIP;330HM,5%,1/10W,DA,TP,2012	
CF56	2203-000260	C-CERAMIC,CHIP;10nF,10%,50V,X7R,TP,2012		RF35	2007-000781	R-CHIP;330HM,5%,1/10W,DA,TP,2012	
CF57	2404-000235	C-TA,CHIP;4.7uF,20%,16V,-,TP,3528,1.4		RF36	2007-000781	R-CHIP;330HM,5%,1/10W,DA,TP,2012	
CF58	2203-000218	C-CERAMIC,CHIP;100nF,20%,50V,Y5V,TP,2012		RF37	2007-000781	R-CHIP;330HM,5%,1/10W,DA,TP,2012	
CF60	2401-001840	C-AL;100uF,20%,16V,GPTP6,3x11.5		RF38	2007-000781	R-CHIP;330HM,5%,1/10W,DA,TP,2012	
CF61	2203-000218	C-CERAMIC,CHIP;100nF,20%,50V,Y5V,TP,2012		RF39	2007-000781	R-CHIP;330HM,5%,1/10W,DA,TP,2012	
CF62	2401-001513	C-AL;47uF,20%,16V,WT,TP,5x11.5		RF40	2007-000781	R-CHIP;330HM,5%,1/10W,DA,TP,2012	
CF63	2203-000218	C-CERAMIC,CHIP;100nF,20%,50V,Y5V,TP,2012		RF41	2007-000781	R-CHIP;330HM,5%,1/10W,DA,TP,2012	
CF64	2203-000218	C-CERAMIC,CHIP;100nF,20%,50V,Y5V,TP,2012		RF42	2007-000781	R-CHIP;330HM,5%,1/10W,DA,TP,2012	
CF65	2203-000218	C-CERAMIC,CHIP;100nF,20%,50V,Y5V,TP,2012		RF43	2007-000781	R-CHIP;330HM,5%,1/10W,DA,TP,2012	
CF66	2401-001513	C-AL;47uF,20%,16V,WT,TP,5x11.5		RF44	2007-000781	R-CHIP;330HM,5%,1/10W,DA,TP,2012	
CF67	2203-000218	C-CERAMIC,CHIP;100nF,20%,50V,Y5V,TP,2012		RF45	2007-000781	R-CHIP;330HM,5%,1/10W,DA,TP,2012	
CF68	2203-000218	C-CERAMIC,CHIP;100nF,20%,50V,Y5V,TP,2012		RF46	2007-000781	R-CHIP;330HM,5%,1/10W,DA,TP,2012	
CF69	2203-000218	C-CERAMIC,CHIP;100nF,20%,50V,Y5V,TP,2012		RF47	2007-000781	R-CHIP;330HM,5%,1/10W,DA,TP,2012	
CF70	2203-000218	C-CERAMIC,CHIP;100nF,20%,50V,Y5V,TP,2012		RF48	2007-000781	R-CHIP;330HM,5%,1/10W,DA,TP,2012	
CF71	2203-000218	C-CERAMIC,CHIP;100nF,20%,50V,Y5V,TP,2012		RF49	2007-000781	R-CHIP;330HM,5%,1/10W,DA,TP,2012	
CF72	2203-000218	C-CERAMIC,CHIP;100nF,20%,50V,Y5V,TP,2012		RF51	2007-000781	R-CHIP;330HM,5%,1/10W,DA,TP,2012	
CF75	2401-001840	C-AL;100uF,20%,16V,GPTP6,3x11.5		RF52	2007-000781	R-CHIP;330HM,5%,1/10W,DA,TP,2012	
CF76	2203-000218	C-CERAMIC,CHIP;100nF,20%,50V,Y5V,TP,2012		RF53	2007-000781	R-CHIP;330HM,5%,1/10W,DA,TP,2012	
CF77	2203-000429	C-CERAMIC,CHIP;0.018nF,5%,50V,NP0,TP,201		RF54	2007-000781	R-CHIP;330HM,5%,1/10W,DA,TP,2012	
CF78	2203-000429	C-CERAMIC,CHIP;0.018nF,5%,50V,NP0,TP,201		RF55	2007-000781	R-CHIP;330HM,5%,1/10W,DA,TP,2012	
CF79	2401-000027	C-AL;4.7uF,20%,50V,GPTP6,3x11.5		RF56	2007-000781	R-CHIP;330HM,5%,1/10W,DA,TP,2012	
CF80	2203-000218	C-CERAMIC,CHIP;100nF,20%,50V,Y5V,TP,2012		RF57	2007-000781	R-CHIP;330HM,5%,1/10W,DA,TP,2012	
CF81	2203-000218	C-CERAMIC,CHIP;100nF,20%,50V,Y5V,TP,2012		RF58	2007-000781	R-CHIP;330HM,5%,1/10W,DA,TP,2012	
CF84	2203-000858	C-CERAMIC,CHIP;0.039nF,5%,50V,NP0,TP,201		RF59	2007-000781	R-CHIP;330HM,5%,1/10W,DA,TP,2012	
CF85	2203-000839	C-CERAMIC,CHIP;0.39nF,5%,50V,NP0,TP,2012		RF60	2007-000781	R-CHIP;330HM,5%,1/10W,DA,TP,2012	
CF86	2203-000858	C-CERAMIC,CHIP;0.039nF,5%,50V,NP0,TP,201		RF61	2007-000781	R-CHIP;330HM,5%,1/10W,DA,TP,2012	
CF87	2203-000839	C-CERAMIC,CHIP;0.39nF,5%,50V,NP0,TP,2012		RF62	2007-000781	R-CHIP;330HM,5%,1/10W,DA,TP,2012	
CF88	2203-000858	C-CERAMIC,CHIP;0.039nF,5%,50V,NP0,TP,201		RF64	2007-000290	R-CHIP;1000HM,5%,1/10W,DA,TP,2012	
CF89	2203-000839	C-CERAMIC,CHIP;0.39nF,5%,50V,NP0,TP,2012		RF66	2007-000781	R-CHIP;330HM,5%,1/10W,DA,TP,2012	
CON01	3711-002709	CONNECTOR-HEADER;NOWALL,12P;1R,2.5MM,ANG		RF67	2007-000781	R-CHIP;330HM,5%,1/10W,DA,TP,2012	
CON02	3711-002703	CONNECTOR-HEADER;NOWALL,5P;1R,2.5mm,ANGL		RF68	2007-000290	R-CHIP;1000HM,5%,1/10W,DA,TP,2012	
DF01	0401-000008	DIODE-SWITCHING;DAN217,80V,100mA,SOT-23,		RF70	2007-000468	R-CHIP;1KOHM,5%,1/10W,DA,TP,2012	
DF02	0401-000008	DIODE-SWITCHING;DAN217,80V,100mA,SOT-23,		RF71	2007-000468	R-CHIP;1KOHM,5%,1/10W,DA,TP,2012	
DF03	0401-000008	DIODE-SWITCHING;DAN217,80V,100mA,SOT-23,		RF72	2007-000468	R-CHIP;1KOHM,5%,1/10W,DA,TP,2012	
FF13	2901-000226	FILTER-EMI SMD;25V,200mA,-,100pF,3.2x1.2		RF73	2007-000468	R-CHIP;1KOHM,5%,1/10W,DA,TP,2012	
FF14	2901-000226	FILTER-EMI SMD;25V,200mA,-,100pF,3.2x1.2		RF74	2007-000468	R-CHIP;1KOHM,5%,1/10W,DA,TP,2012	
FF15	2901-000233	FILTER-EMI SMD;50V,300mA,-,330pF,4.5x1.8		RF75	2007-000468	R-CHIP;1KOHM,5%,1/10W,DA,TP,2012	
FF16	2901-000233	FILTER-EMI SMD;50V,300mA,-,330pF,4.5x1.8		RF76	2007-000468	R-CHIP;1KOHM,5%,1/10W,DA,TP,2012	
FF17	2901-000233	FILTER-EMI SMD;50V,300mA,-,330pF,4.5x1.8		RF78	2007-000468	R-CHIP;1KOHM,5%,1/10W,DA,TP,2012	
IC01	1204-001406	IC-VIDEO PROCESS;FS310KBC,QFP;128P,1100MM		RF79	2007-000468	R-CHIP;1KOHM,5%,1/10W,DA,TP,2012	
IC02	1105-001270	IC-DRAM;72V161621,2x524Kx16BITBit,TSOP		RF80	2007-000468	R-CHIP;1KOHM,5%,1/10W,DA,TP,2012	
IC03	AA13-30021E	IC-MCU;Z90234-R3911,S2M-374FC,ST,24K,		RF81	2007-000872	R-CHIP;4.7KOHM,5%,1/10W,DA,TP,2012	
IC04	1103-000128	IC-EEPROM;24C02,256*8BIT,DIP8P;300MIL,1		RF82	2007-000290	R-CHIP;1000HM,5%,1/10W,DA,TP,2012	
IC05	1203-001419	IC-VOLTAGE REGULATOR;4931,TO-252,3P,6x		RF83	2007-000468	R-CHIP;1KOHM,5%,1/10W,DA,TP,2012	
LF10	2901-000297	FILTER-EMI ON BOARD;-3A,-,-3.5x5,TP-		RF84	2007-000872	R-CHIP;4.7KOHM,5%,1/10W,DA,TP,2012	
LF11	2701-000116	INDUCTOR-AXIAL;10uH,10%,4.2x9.8mm		RF85	2007-000872	R-CHIP;4.7KOHM,5%,1/10W,DA,TP,2012	
LF12	2701-000115	INDUCTOR-AXIAL;10uH,10%,3x7mm		RF86	2007-001166	R-CHIP;750HM,5%,1/10W,DA,TP,2012	
LF13	2701-000115	INDUCTOR-AXIAL;10uH,10%,3x7mm		RF87	2007-001166	R-CHIP;750HM,5%,1/10W,DA,TP,2012	
LF14	2701-000115	INDUCTOR-AXIAL;10uH,10%,3x7mm		RF88	2007-001166	R-CHIP;750HM,5%,1/10W,DA,TP,2012	
LF15	2701-000115	INDUCTOR-AXIAL;10uH,10%,3x7mm		XTR01	2804-001213	OSCILLATOR-CLOCK;80MHz,100ppm,10TTL & CM	
LF16	2701-000149	INDUCTOR-AXIAL;2.7uH,10%,2.5x3.4mm		XTR02	2801-000152	CRYSTAL-UNIT;14.31818MHz,40PPM,28-AAM,16	
LF17	2701-000149	INDUCTOR-AXIAL;2.7uH,10%,2.5x3.4mm		XTR04	2801-000724	CRYSTAL-UNIT;6MHz,50ppm,28-AAM,20pF,40oh	
LF18	2701-000149	INDUCTOR-AXIAL;2.7uH,10%,2.5x3.4mm					
PCB	AA41-10997B	PCB-FORMAT CONNERTER;KPM51A,4L,FR-4,245X					
RF10	2007-000401	R-CHIP;1500HM,5%,1/10W,DA,TP,2012					
RF11	2007-000290	R-CHIP;1000HM,5%,1/10W,DA,TP,2012					
RF12	2007-000401	R-CHIP;1500HM,5%,1/10W,DA,TP,2012					
RF13	2007-000290	R-CHIP;1000HM,5%,1/10W,DA,TP,2012					
RF14	2007-000401	R-CHIP;1500HM,5%,1/10W,DA,TP,2012					
RF15	2007-000290	R-CHIP;1000HM,5%,1/10W,DA,TP,2012					
RF16	2007-000477	R-CHIP;1MOHM,5%,1/10W,DA,TP,2012					
RF17	2007-000477	R-CHIP;1MOHM,5%,1/10W,DA,TP,2012					
RF18	2007-000872	R-CHIP;4.7KOHM,5%,1/10W,DA,TP,2012					
RF19	2007-000872	R-CHIP;4.7KOHM,5%,1/10W,DA,TP,2012					
RF21	2007-000642	R-CHIP;2700HM,5%,1/10W,DA,TP,2012					
RF22	2007-001118	R-CHIP;6800HM,5%,1/10W,DA,TP,2012					
RF23	2007-000401	R-CHIP;1500HM,5%,1/10W,DA,TP,2012					
RF24	2007-000401	R-CHIP;1500HM,5%,1/10W,DA,TP,2012					
RF25	2007-000518	R-CHIP;2.7KOHM,5%,1/10W,DA,TP,2012					
RF26	2007-000518	R-CHIP;2.7KOHM,5%,1/10W,DA,TP,2012					
RF27	2007-000290	R-CHIP;1000HM,5%,1/10W,DA,TP,2012					
RF29	2007-000781	R-CHIP;330HM,5%,1/10W,DA,TP,2012					
RF30	2007-000781	R-CHIP;330HM,5%,1/10W,DA,TP,2012					

ASSY-PCB-3D,COMB

*AA95-00291A ASSY-PCB-3D,COMB;-;PCJ533R,P51A,-,-,-

CD10	2401-001496	C-AL;47uF,20%,16V,GPTP6,5x7.5	
CD11	2203-000218	C-CERAMIC,CHIP;100nF,20%,50V,Y5V,TP,2012	
CD12	2401-002464	C-AL;47uF,20%,16V,BP,TP,8x11.5,5	
CD13	2203-001077	C-CERAMIC,CHIP;0.056nF,5%,50V,NP0,TP,201	
CD15	2401-001496	C-AL;47uF,20%,16V,GPTP6,5x7.5	
CD16	2203-000218	C-CERAMIC,CHIP;100nF,20%,50V,Y5V,TP,2012	
CD17	2203-000374	C-CERAMIC,CHIP;15nF,10%,50V,X7R,TP,2012	
CD18	2401-001250	C-AL;4.7uF,20%,35V,GPTP6,4x5.5	
CD19	2203-000142	C-CERAMIC,CHIP;1.5nF,10%,50V,X7R,TP,2012	
CD20	2203-000595	C-CERAMIC,CHIP;0.22nF,5%,50V,NP0,TP,2012	
CD21	2203-000260	C-CERAMIC,CHIP;10nF,10%,50V,X7R,TP,2012	
CD22	2203-000444	C-CERAMIC,CHIP;1nF,10%,50V,X7R,TP,2012,-	
CD23	2401-001914	C-AL;1uF,20%,50V,BP,TP,5x11.5	
CD24	2203-000444	C-CERAMIC,CHIP;1nF,10%,50V,X7R,TP,2012,-	

Loc. No.	Code No.	Description ; Specification	Remark	Loc. No.	Code No.	Description ; Specification	Remark
CD25	2401-001914	C-AL,1uF,20%,50V,BPTP5x11,5		QD18	0501-000280	TR-SMALL SIGNAL;KSA1182,PNP,150mW,SOT-23	
CD27	2203-000218	C-CERAMIC,CHIP,100nF,20%,50V,Y5V,TP2012		QD19	0501-000280	TR-SMALL SIGNAL;KSA1182,PNP,150mW,SOT-23	
CD28	2203-001158	C-CERAMIC,CHIP,0.068nF,5%,50V,NP0,TP201		QD20	0501-000280	TR-SMALL SIGNAL;KSA1182,PNP,150mW,SOT-23	
CD29	2203-000818	C-CERAMIC,CHIP,0.033nF,5%,50V,NP0,TP201		QD21	0501-000344	TR-SMALL SIGNAL;KSC1623-G,NPN,200mW,SOT-	
CD30	2203-000634	C-CERAMIC,CHIP,0.022nF,5%,50V,NP0,TP201		QD22	0501-000280	TR-SMALL SIGNAL;KSA1182,PNP,150mW,SOT-23	
CD31	2203-000609	C-CERAMIC,CHIP,22nF,10%,50V,X7R,TP2012		QD23	0501-000280	TR-SMALL SIGNAL;KSA1182,PNP,150mW,SOT-23	
CD32	2401-001250	C-AL,4.7uF,20%,35V,GP,TP4x5,5		RD08	2007-000290	R-CHIP;100OHM,5%,1/10W,DA,TP2012	
CD33	2401-000215	C-AL,100nF,20%,50V,GP,TP4x7mm,5mm		RD09	2007-000290	R-CHIP;100OHM,5%,1/10W,DA,TP2012	
CD34	2203-000260	C-CERAMIC,CHIP,10nF,10%,50V,X7R,TP2012		RD10	2007-000290	R-CHIP;100OHM,5%,1/10W,DA,TP2012	
CD35	2203-000218	C-CERAMIC,CHIP;100nF,20%,50V,Y5V,TP2012		RD11	2007-000586	R-CHIP;22KOHM,5%,1/10W,DA,TP2012	
CD36	2401-001496	C-AL,47uF,20%,16V,GP,TP5x7,5		RD12	2007-001141	R-CHIP;7.5KOHM,5%,1/10W,DA,TP2012	
CD37	2203-000839	C-CERAMIC,CHIP,0.39nF,5%,50V,NP0,TP2012		RD13	2007-000468	R-CHIP;1KOHM,5%,1/10W,DA,TP2012	
CD38	2401-001496	C-AL,47uF,20%,16V,GP,TP5x7,5		RD14	2007-000030	R-CHIP;560OHM,5%,1/10W,DA,TP2012	
CD39	2203-000218	C-CERAMIC,CHIP;100nF,20%,50V,Y5V,TP2012		RD15	2007-000030	R-CHIP;560OHM,5%,1/10W,DA,TP2012	
CD41	2203-000218	C-CERAMIC,CHIP;100nF,20%,50V,Y5V,TP2012		RD16	2007-000981	R-CHIP;5.6KOHM,5%,1/10W,DA,TP2012	
CD42	2203-000218	C-CERAMIC,CHIP;100nF,20%,50V,Y5V,TP2012		RD17	2007-000290	R-CHIP;100OHM,5%,1/10W,DA,TP2012	
CD43	2203-000218	C-CERAMIC,CHIP;100nF,20%,50V,Y5V,TP2012		RD18	2007-000468	R-CHIP;1KOHM,5%,1/10W,DA,TP2012	
CD44	2203-000218	C-CERAMIC,CHIP;100nF,20%,50V,Y5V,TP2012		RD19	2007-000468	R-CHIP;1KOHM,5%,1/10W,DA,TP2012	
CD45	2401-002212	C-AL;10uF,20%,25V,VT,TP5x11,5,0mm		RD20	2007-000221	R-CHIP;1.2KOHM,5%,1/10W,DA,TP2012	
CD46	2203-000218	C-CERAMIC,CHIP;100nF,20%,50V,Y5V,TP2012		RD22	2007-000290	R-CHIP;100OHM,5%,1/10W,DA,TP2012	
CD47	2401-001496	C-AL,47uF,20%,16V,GP,TP5x7,5		RD23	2007-000030	R-CHIP;560OHM,5%,1/10W,DA,TP2012	
CD50	2203-000218	C-CERAMIC,CHIP;100nF,20%,50V,Y5V,TP2012		RD25	2007-000290	R-CHIP;100OHM,5%,1/10W,DA,TP2012	
CD51	2203-000218	C-CERAMIC,CHIP;100nF,20%,50V,Y5V,TP2012		RD26	2007-000468	R-CHIP;1KOHM,5%,1/10W,DA,TP2012	
CD52	2203-000218	C-CERAMIC,CHIP;100nF,20%,50V,Y5V,TP2012		RD28	2007-000518	R-CHIP;2.7KOHM,5%,1/10W,DA,TP2012	
CD53	2203-000218	C-CERAMIC,CHIP;100nF,20%,50V,Y5V,TP2012		RD29	2007-000642	R-CHIP;270OHM,5%,1/10W,DA,TP2012	
CD54	2203-000218	C-CERAMIC,CHIP;100nF,20%,50V,Y5V,TP2012		RD30	2007-001177	R-CHIP;8.2KOHM,5%,1/10W,DA,TP2012	
CD55	2203-000260	C-CERAMIC,CHIP;10nF,10%,50V,X7R,TP2012		RD31	2007-000241	R-CHIP;1.5KOHM,5%,1/10W,DA,TP2012	
CD56	2203-000218	C-CERAMIC,CHIP;100nF,20%,50V,Y5V,TP2012		RD32	2007-000493	R-CHIP;2.2KOHM,5%,1/10W,DA,TP2012	
CD57	2401-001496	C-AL,47uF,20%,16V,GP,TP5x7,5		RD33	2007-000282	R-CHIP;100KOHM,5%,1/10W,DA,TP2012	
CD58	2203-000218	C-CERAMIC,CHIP;100nF,20%,50V,Y5V,TP2012		RD34	2007-000282	R-CHIP;100KOHM,5%,1/10W,DA,TP2012	
CD59	2401-001496	C-AL,47uF,20%,16V,GP,TP5x7,5		RD35	2007-000572	R-CHIP;220OHM,5%,1/10W,DA,TP2012	
CD60	2401-001496	C-AL,47uF,20%,16V,GP,TP5x7,5		RD36	2007-000282	R-CHIP;100KOHM,5%,1/10W,DA,TP2012	
CD62	2203-000218	C-CERAMIC,CHIP;100nF,20%,50V,Y5V,TP2012		RD37	2007-000572	R-CHIP;220OHM,5%,1/10W,DA,TP2012	
CD63	2203-000218	C-CERAMIC,CHIP;100nF,20%,50V,Y5V,TP2012		RD40	2007-000493	R-CHIP;2.2KOHM,5%,1/10W,DA,TP2012	
CD64	2401-001496	C-AL,47uF,20%,16V,GP,TP5x7,5		RD41	2007-000931	R-CHIP;470OHM,5%,1/10W,DA,TP2012	
CD66	2401-001496	C-AL,47uF,20%,16V,GP,TP5x7,5		RD42	2007-000593	R-CHIP;220OHM,5%,1/10W,DA,TP2012	
CD67	2203-000218	C-CERAMIC,CHIP;100nF,20%,50V,Y5V,TP2012		RD43	2007-000931	R-CHIP;470OHM,5%,1/10W,DA,TP2012	
CD68	2401-001496	C-AL,47uF,20%,16V,GP,TP5x7,5		RD44	2007-000290	R-CHIP;100OHM,5%,1/10W,DA,TP2012	
CD69	2203-000218	C-CERAMIC,CHIP;100nF,20%,50V,Y5V,TP2012		RD45	2007-001001	R-CHIP;510OHM,5%,1/10W,DA,TP2012	
CD71	2401-001496	C-AL,47uF,20%,16V,GP,TP5x7,5		RD46	2007-000872	R-CHIP;4.7KOHM,5%,1/10W,DA,TP2012	
CD72	2203-000218	C-CERAMIC,CHIP;100nF,20%,50V,Y5V,TP2012		RD47	2007-000477	R-CHIP;1MOHM,5%,1/10W,DA,TP2012	
CD73	2203-000218	C-CERAMIC,CHIP;100nF,20%,50V,Y5V,TP2012		RD48	2007-000931	R-CHIP;470OHM,5%,1/10W,DA,TP2012	
CD74	2203-000218	C-CERAMIC,CHIP;100nF,20%,50V,Y5V,TP2012		RD51	2007-000401	R-CHIP;150OHM,5%,1/10W,DA,TP2012	
CD75	2203-000634	C-CERAMIC,CHIP;0.022nF,5%,50V,NP0,TP201		RD52	2007-000221	R-CHIP;1.2KOHM,5%,1/10W,DA,TP2012	
CD77	2401-001496	C-AL,47uF,20%,16V,GP,TP5x7,5		RD53	2007-000300	R-CHIP;10KOHM,5%,1/10W,DA,TP2012	
CD78	2203-000218	C-CERAMIC,CHIP;100nF,20%,50V,Y5V,TP2012		RD54	2007-000586	R-CHIP;22KOHM,5%,1/10W,DA,TP2012	
CD79	2401-001496	C-AL,47uF,20%,16V,GP,TP5x7,5		RD55	2007-000401	R-CHIP;150OHM,5%,1/10W,DA,TP2012	
CD80	2203-000661	C-CERAMIC,CHIP;0.27nF,5%,50V,NP0,TP2012		RD56	2007-000586	R-CHIP;22KOHM,5%,1/10W,DA,TP2012	
CON01	3711-002705	CONNECTOR-HEADER;NOWALL,7P,1R,2.5mm,ANGL		RD57	2007-000586	R-CHIP;22KOHM,5%,1/10W,DA,TP2012	
CON02	3711-002703	CONNECTOR-HEADER;NOWALL,5P,1R,2.5mm,ANGL		RD58	2007-000267	R-CHIP;1.8KOHM,5%,1/10W,DA,TP2012	
DD01	0403-000355	DIODE-ZENER;UZ5.1BSB,5.1V,4.97-5.18V,500		RD59	2007-000282	R-CHIP;100KOHM,5%,1/10W,DA,TP2012	
DD02	0403-000355	DIODE-ZENER;UZ5.1BSB,5.1V,4.97-5.18V,500		RD61	2007-000380	R-CHIP;13KOHM,5%,1/10W,DA,TP2012	
DD03	0401-000005	DIODE-SWITCHING;1N4148,100V,200MA,DO-35,		RD62	2007-001071	R-CHIP;6.8KOHM,5%,1/10W,DA,TP2012	
FD01	2909-001051	FILTER-LC;6MHz,6MHz,1.0dB,TP5dB/6.0MHz,		RD63	2007-000468	R-CHIP;1KOHM,5%,1/10W,DA,TP2012	
FD02	2909-001052	FILTER-LC;3.58MHz,3MHz,1.5dB,TP11dB/1.0		RD64	2007-000468	R-CHIP;1KOHM,5%,1/10W,DA,TP2012	
FD03	2909-001051	FILTER-LC;6MHz,6MHz,1.0dB,TP5dB/6.0MHz,		RD65	2007-000468	R-CHIP;1KOHM,5%,1/10W,DA,TP2012	
IC01	1204-001210	IC-SEPARATOR;6488,QFP,100P,-,PLASTIC,5.0		RD66	2007-000738	R-CHIP;30KOHM,5%,1/10W,DA,TP2012	
IC02	1209-001075	IC-PLL;UPC1852GS,SOP,36P,300MIL,PLAST		RD67	2007-001071	R-CHIP;6.8KOHM,5%,1/10W,DA,TP2012	
IC03	1109-001150	IC-ETC. MEMORY;5412222A,256Kx12Bit,TSOP,		RD68	2007-000468	R-CHIP;1KOHM,5%,1/10W,DA,TP2012	
IC04	1203-001419	IC-VOLTAGE REGULATOR;4931,TO-252,3P,6.6x		RD69	2007-000931	R-CHIP;470OHM,5%,1/10W,DA,TP2012	
LD01	2701-000184	INDUCTOR-AXIAL;4.7uH,10%,2.5x3.4mm		RD70	2007-000931	R-CHIP;470OHM,5%,1/10W,DA,TP2012	
LD02	2701-000136	INDUCTOR-AXIAL;18uH,10%,2.5x3.4mm		RD71	2007-000267	R-CHIP;1.8KOHM,5%,1/10W,DA,TP2012	
LD03	2701-000180	INDUCTOR-AXIAL;33uH,5%,2.5x3.4mm		RD72	2007-000931	R-CHIP;470OHM,5%,1/10W,DA,TP2012	
LD04	2701-000180	INDUCTOR-AXIAL;33uH,5%,2.5x3.4mm		RD73	2007-000290	R-CHIP;100OHM,5%,1/10W,DA,TP2012	
LD05	2701-000136	INDUCTOR-AXIAL;18uH,10%,2.5x3.4mm		RD74	2007-000493	R-CHIP;2.2KOHM,5%,1/10W,DA,TP2012	
LD06	2701-000136	INDUCTOR-AXIAL;18uH,10%,2.5x3.4mm		RD75	2007-000290	R-CHIP;100OHM,5%,1/10W,DA,TP2012	
LD07	2901-000297	FILTER-EMI ON BOARD;-.3A,-,3.5x5,TP-		RD81	2007-000380	R-CHIP;13KOHM,5%,1/10W,DA,TP2012	
LD08	2701-000136	INDUCTOR-AXIAL;18uH,10%,2.5x3.4mm		RD82	2007-000710	R-CHIP;3.9KOHM,5%,1/10W,DA,TP2012	
PCB	AA41-109568	PCB-3D COMB;P51A,2L,FR-4,180X245X1.6T,6A		RD83	2007-000468	R-CHIP;1KOHM,5%,1/10W,DA,TP2012	
QD09	0501-000344	TR-SMALL SIGNAL;KSC1623-G,NPN,200mW,SOT-		RD84	2007-000030	R-CHIP;560OHM,5%,1/10W,DA,TP2012	
QD10	0501-000344	TR-SMALL SIGNAL;KSC1623-G,NPN,200mW,SOT-		RD85	2007-000981	R-CHIP;5.6KOHM,5%,1/10W,DA,TP2012	
QD11	0501-000280	TR-SMALL SIGNAL;KSA1182,PNP,150mW,SOT-23		RD86	2007-000931	R-CHIP;470OHM,5%,1/10W,DA,TP2012	
QD12	0501-000344	TR-SMALL SIGNAL;KSC1623-G,NPN,200mW,SOT-		RD87	2007-000931	R-CHIP;470OHM,5%,1/10W,DA,TP2012	
QD13	0501-000344	TR-SMALL SIGNAL;KSC1623-G,NPN,200mW,SOT-		RD88	2007-000210	R-CHIP;1.1KOHM,5%,1/10W,DA,TP2012	
QD15	0501-000280	TR-SMALL SIGNAL;KSA1182,PNP,150mW,SOT-23		RD89	2007-000781	R-CHIP;330OHM,5%,1/10W,DA,TP2012	
QD16	0501-000280	TR-SMALL SIGNAL;KSA1182,PNP,150mW,SOT-23		RD90	2007-000290	R-CHIP;100OHM,5%,1/10W,DA,TP2012	
QD17	0501-000344	TR-SMALL SIGNAL;KSC1623-G,NPN,200mW,SOT-		RD91	2007-000493	R-CHIP;2.2KOHM,5%,1/10W,DA,TP2012	

Loc. No.	Code No.	Description ; Specification	Remark	Loc. No.	Code No.	Description ; Specification	Remark
RD92	2007-000290	R-CHIP;100OHM,5%,1/10W,DA,TP,2012		C457	2201-000132	C-CERAMIC,DISC;100pF,10%,500V,Y5P,TP,6x4	
RD99	2007-000029	R-CHIP;00HM,5%,1/10W,DA,TP,2012		C458	2401-002288	C-AL;470uF,20%,25V,WT,TP,10x20,5	
SHIELD	AA63-40014A	SHIELD-CASE,T,-,SPT,TO,5,SCT51A,-		C467	2401-000360	C-AL;100uF,20%,50V,GP,TP,8x11,5,5	
XTAL01	2802-000185	RESONATOR-CERAMIC;500KHZ,0.5%,BK,10,0X5.		C468	2201-000119	C-CERAMIC,DISC;100nF,+80-20%,50V,Y5V,TP,	
XTAL02	2801-000151	CRYSTAL-UNIT;14,31818MHz,30ppm,28-AAA,30		C469	0402-000546	DIODE-RECTIFIER;TVR10G,400V,1.0A,DO-41,T	
ASSY-PCB,CENTER SPK				C471	2306-000166	C-FILM,MPPF;220nF,5%,400V,TP,26x17x9,20mm	
*AA95-00307A ASSY-PCB,CENTER SPK,-,PCJ552WX/XAA,P51A,				C472	2401-000262	C-AL;100uF,20%,160V,HR,TP,16x25,7,5	
BABDT	AA63-10002A	BAND-TIE;-NYLON66 V2,-,L100,NTR,-,-		C473	2306-000322	C-FILM,MPPF;12nF,5%,1.6KV,TP,29x20,5x13,	
CC501	2401-000192	C-AL;1000uF,20%,50V,GP,TP,16x25,7,5		C474	2306-000326	C-FILM,MPPF;4.7nF,5%,1.6KV,TP,28,5x16x9mm	
CC602	2401-000480	C-AL;100uF,20%,50V,GP,TP,5x11,5		C476	2401-000647	C-AL;2.2uF,20%,50V,BP,TP,5x11,5	
CC603	2401-000360	C-AL;100uF,20%,50V,GP,TP,8x11,5,5		C477	2301-000213	C-FILM,PEF;220nF,5%,250V,TP,21,5x11,7,5	
CC604	2401-000360	C-AL;100uF,20%,50V,GP,TP,8x11,5,5		C478	2301-000020	C-FILM,PEF;27nF,5%,100V,TP,7,3x4x12,5mm,	
CC605	2305-000665	C-FILM,MPEF;100nF,5%,53V,TP,7,5x4,0x5,0mm		C479	2301-000200	C-FILM,PEF;2.2nF,5%,200V,TP,11,0x6,0x9,0	
CC606	2305-000665	C-FILM,MPEF;100nF,5%,53V,TP,7,5x4,0x5,0mm		C483	2401-000603	C-AL;1uF,20%,50V,GP,TP,5x11,5	
CC607	2301-000192	C-FILM,PEF;1nF,5%,50V,TP,5,3x10mm,5mm		C484	2201-000132	C-CERAMIC,DISC;100pF,10%,500V,Y5P,TP,6x4	
CC608	2401-000603	C-AL;1uF,20%,50V,GP,TP,5x11,5		C801	2306-000112	C-FILM,MPPF;100nF,20%,250V,BK,-,15mm	
CCN01	3711-002642	CONNECTOR-HEADER;BOX,3P,1R,2,5MM,STRAIGH		C802	2306-000112	C-FILM,MPPF;100nF,20%,250V,BK,-,15mm	
CCN02	3711-002644	CONNECTOR-HEADER;BOX,5P,1R,2,5mm,STRAIGH		C806	2201-000987	C-CERAMIC,DISC;2.2nF,20%,400V,Y5U,TP,15x	
CCN03	3711-002643	CONNECTOR-HEADER;BOX,4P,1R,2,5MM,STRAIGH		C807	2201-000987	C-CERAMIC,DISC;2.2nF,20%,400V,Y5U,TP,15x	
CCNW01	AA39-20608A	LEAD CONNECTOR-ASSY;-SMP250-02,67096-03		C809	2201-000551	C-CERAMIC,DISC;470pF,10%,1KV,Y5P,TP,8x5,	
CCNW02	AA39-20020J	LEAD CONNECTOR-ASSY;-67096-005,5,SP,400		C812	2401-000701	C-AL;2200uF,20%,250V,GP,-,35x70mm,1	
COREF	3301-001201	CORE-FERRITE;AE,230,5x10,25x36mm,1500,28		C813	2401-000701	C-AL;2200uF,20%,250V,GP,-,35x70mm,1	
△ IC601	1201-000348	IC-POWER AMP;2052,HEPTAWA,7P,-,SINGLE,-, H/SINK		C814	2201-002041	C-CERAMIC,DISC;820pF,10%,2KV,Y5P,TP,12x6	
PCB	AA41-00120A	PCB-CENTER SPK,P51A,1L,FR-1,245X245X1,6T		C815	2201-000406	C-CERAMIC,DISC;270pF,10%,2KV,Y5P,TP,8x6,	
RC601	2001-000052	R-CARBON(S);3.3KOHM,5%,1/2W,AA,TP,2,4X6		C816	2201-000332	C-CERAMIC,DISC;2.2nF,20%,250VAC,Y5U,TP,1	
RC602	2001-001093	R-CARBON(S);2.2KOHM,5%,1/2W,AA,TP,2,4X6		C817	2201-000332	C-CERAMIC,DISC;2.2nF,20%,250VAC,Y5U,TP,1	
RC603	2004-001390	R-METAL(S);1Kohm,2%,1/2W,AA,TP,2,4x6,4mm		C818	2301-001216	C-FILM,PEF;47nF,5%,630V,TP,20x14,5x22,7,	
RC604	2004-001390	R-METAL(S);1Kohm,2%,1/2W,AA,TP,2,4x6,4mm		C831	2306-000323	C-FILM,MPPF;2.2nF,5%,1.6KV,TP,28,5x15,5x	
RC605	2001-001093	R-CARBON(S);2.2KOHM,5%,1/2W,AA,TP,2,4X6		C833	2201-000292	C-CERAMIC,DISC;1nF,10%,50V,Y5P,TP,5x3,5	
RC606	2001-001103	R-CARBON(S);2KOHM,5%,1/2W,AA,TP,2,4X6,4		C834	2401-003028	C-AL;100uF,20%,25V,WT,TP,6,3x11,5	
RC607	2001-001146	R-CARBON(S);4.7OHM,5%,1/2W,AA,TP,2,4X6,4		C835	2401-000030	C-AL;22uF,20%,25V,GP,TP,5x11,5	
RC608	2001-001131	R-CARBON(S);33KOHM,5%,1/2W,AA,TP,2,4X6,4		C842	2401-003066	C-AL;10uF,20%,450V,GP,TP,13x20mm,5mm	
RC611	2001-001108	R-CARBON(S);2.2KOHM,5%,1/2W,AA,TP,2,4X6,4		C843	2401-002264	C-AL;10uF,20%,350V,GP,TP,10x20mm,5mm	
RC612	2001-001067	R-CARBON(S);1KOHM,5%,1/2W,AA,TP,2,4X6,4		C844	2401-001026	C-AL;3.3UF,20%,50V,GP,TP,5x11,5	
RC613	2001-001067	R-CARBON(S);1KOHM,5%,1/2W,AA,TP,2,4X6,4		C851	2201-000551	C-CERAMIC,DISC;470pF,10%,1KV,Y5P,TP,8x5,	
ASSY-PCB,SUB				C852	2401-000133	C-AL;1000uF,20%,16V,GP,TP,10x20,5	
*AA95-00308A ASSY-PCB,SUB;-HJC552WX/XAA,P51A,-,USA				C854	2201-000551	C-CERAMIC,DISC;470pF,10%,1KV,Y5P,TP,8x5,	
C301	2305-000149	C-FILM,MPEF;100nF,5%,100V,TP,12x12,5x6,5		C855	2401-000689	C-AL;2200uF,20%,16V,GP,TP,13x25,5	
C302	2201-000292	C-CERAMIC,DISC;1nF,10%,50V,Y5P,TP,5x3,5		C857	2401-000133	C-AL;1000uF,20%,16V,GP,TP,10x20,5	
C303	2305-000149	C-FILM,MPEF;100nF,5%,100V,TP,12x12,5x6,5		C861	2201-000551	C-CERAMIC,DISC;470pF,10%,1KV,Y5P,TP,8x5,	
C304	2201-000292	C-CERAMIC,DISC;1nF,10%,50V,Y5P,TP,5x3,5		C862	2401-002225	C-AL;3300uF,20%,50V,WT,BK,22x41,7,5	
C305	2201-002022	C-CERAMIC,DISC;5pF,0.25pF,500V,NPO,TP,5x		C864	2201-000551	C-CERAMIC,DISC;470pF,10%,1KV,Y5P,TP,8x5,	
C307	2401-000365	C-AL;100uF,20%,50V,WT,TP,10x12,5mm,5		C865	2401-000737	C-AL;2200uF,20%,50V,GP,TP,16x35,5,7,5	
C308	2401-000365	C-AL;100uF,20%,50V,WT,TP,10x12,5mm,5		C866	2401-000192	C-AL;1000uF,20%,50V,GP,TP,16x25,7,5	
C309	2305-000285	C-FILM,MPEF;220nF,5%,100V,TP,10,5X5,5X15		C868	2401-000737	C-AL;2200uF,20%,50V,GP,TP,16x35,5,7,5	
C311	2305-000149	C-FILM,MPEF;100nF,5%,100V,TP,12x12,5x6,5		C869	2401-000192	C-AL;1000uF,20%,50V,GP,TP,16x25,7,5	
C411	2401-000360	C-AL;100uF,20%,50V,GP,TP,8x11,5,5		C871	2201-000551	C-CERAMIC,DISC;470pF,10%,1KV,Y5P,TP,8x5,	
C412	2301-000383	C-FILM,PEF;10nF,5%,50V,TP,6x7x3,2mm,5mm		C872	2401-000703	C-AL;2200uF,20%,25V,GP,-,12,5x25mm,	
C413	2401-000360	C-AL;100uF,20%,50V,GP,TP,8x11,5,5		C873	2401-001998	C-AL;1000uF,20%,25V,GP,TP,10x20,5mm	
C417	2401-001397	C-AL;470uF,20%,25V,GP,TP,10x16,5		C874	2201-000551	C-CERAMIC,DISC;470pF,10%,1KV,Y5P,TP,8x5,	
C418	2401-000360	C-AL;100uF,20%,50V,GP,TP,8x11,5,5		C875	2401-002251	C-AL;470uF,20%,200V,GP,BK,25x40mm,1	
C419	2201-000180	C-CERAMIC,DISC;10nF,10%,50V,Y5V,TP,6,5*3		C876	2401-000787	C-AL;220uF,20%,160V,GP,TP,16x31,5,7,5	
C425	2401-000360	C-AL;100uF,20%,50V,GP,TP,8x11,5,5		C877	2305-000427	C-FILM,MPEF;47nF,5%,100V,TP,7,5x12,5x3,5	
C427	2401-002300	C-AL;47uF,20%,50V,GP,TP,6,3x11,5		C891	2201-000987	C-CERAMIC,DISC;2.2nF,20%,400V,Y5U,TP,15x	
C428	2305-000122	C-FILM,MPPF;100nF,5%,50V,TP,7,3x4,0x5,0mm		C892	2201-000987	C-CERAMIC,DISC;2.2nF,20%,400V,Y5U,TP,15x	
C430	2301-001219	C-FILM,MPE-PPF;3.9nF,5%,1.6KV,TP,29x8,5x		CLAMPF	AA65-30109A	CLAMP-FBT,NYLON-66,V2,BLK,-,-	
C431	2306-000326	C-FILM,MPPF;4.7nF,5%,1.6KV,TP,28,5x16x9mm		CLAMPW	AA65-30105B	CLAMP-WIRE;NYLON,66,V2,NTR,25MM,ALL MODE	
C432	2306-000267	C-FILM,MPPF;8.2nF,5%,1.6KV,TP,28,5x18,5x		CN201	AA39-20068A	LEAD CONNECTOR-ASSY;-YBNH025-08,67096-0	
C436	2306-000235	C-FILM,MPPF;560nF,5%,400V,TP,26*22.5*14,		CN202	AA39-20067G	LEAD CONNECTOR-ASSY;-YBNH250-10,67096-0	
C437	2401-003114	C-AL;4.7uF,20%,250V,WT,TP,10x16,5		CN203	3711-002641	CONNECTOR-HEADER;BOX,10P,1R,2,54mm,STRAI	
C438	2306-000267	C-FILM,MPPF;8.2nF,5%,1.6KV,TP,28,5x18,5x		CN401	3711-002647	CONNECTOR-HEADER;BOX,8P,1R,2,5mm,STRAIGH	
C441	2401-000262	C-AL;100uF,20%,160V,HR,TP,16x25,7,5		CN402	3711-003641	CONNECTOR-HEADER;BOX,12P,1R,2,5mm,STRAIG	
C445	2401-001622	C-AL;6.8uF,20%,50V,BP,TP,16x25mm,7,5		CN801	AA39-20071B	LEAD CONNECTOR-ASSY;-YBNH025-12,67096-0	
C450	2401-000262	C-AL;100uF,20%,160V,HR,TP,16x25,7,5		CN802	3711-002647	CONNECTOR-HEADER;BOX,8P,1R,2,5mm,STRAIGH	
C451	2401-001160	C-AL;33uF,20%,160V,GP,-,16x35mm,7,5		CNW406	AA39-00009A	LEAD CONNECTOR-ASSY;-YFH800-03,S,3(2)P,	
C452	2201-000132	C-CERAMIC,DISC;100pF,10%,500V,Y5P,TP,6x4		CNW809	AA39-20061G	LEAD CONNECTOR-ASSY;-YFH800-03,S,3P,100	
C453	2401-002288	C-AL;470uF,20%,25V,WT,TP,10x20,5		CRMIC	2201-000291	C-CERAMIC,DISC;1nF,10%,500V,Y5P,TP,8,5x5	
				D302	0402-000546	DIODE-RECTIFIER;TVR10G,400V,1.0A,DO-41,T	
				D433	0402-000537	DIODE-RECTIFIER;RH1A,600V,0.6A,DO-204AC	
				D435	0402-000132	DIODE-RECTIFIER;1N4004,400V,1A,DO-41,TP	
				D440	0402-000534	DIODE-RECTIFIER;RG10V,400V,1.2A,DO-201,T	
				D441	0402-000534	DIODE-RECTIFIER;RG10V,400V,1.2A,DO-201,T	
				D444	0402-000546	DIODE-RECTIFIER;TVR10G,400V,1.0A,DO-41,T	
				D464	0402-000236	DIODE-RECTIFIER;GI824,400V,5A,-,TP	
				D459	0401-000005	DIODE-SWITCHING;1N4148,100V,500MA,DO-35,	
				D471	0402-000546	DIODE-RECTIFIER;TVR10G,400V,1.0A,DO-41,T	
				D472	0402-000546	DIODE-RECTIFIER;TVR10G,400V,1.0A,DO-41,T	

Loc. No.	Code No.	Description ; Specification	Remark	Loc. No.	Code No.	Description ; Specification	Remark
D474	0402-000546	DIODE-RECTIFIER;TVR10G,400V,1.0A,DO-41,T		L874	AA27-10002L	COIL-CHOKE;-,24UH,K,-,2A,-,24UH-K,10X10MM	
D801	1405-000152	VARIABLE;560V,2500A,14x8.5mm,TP		AA41-00013B	PCB-SUB;P51A,1L,CEM-1,330X245X1.6T,1A,		
D802	1405-000152	VARIABLE;560V,2500A,14x8.5mm,TP		0501-000389	TR-SMALL SIGNAL;KSC815,NPN,400mW,TO-92,T		
D804	0402-000549	DIODE-BRIDGE;RBV606,600V,6A,-,BK		0502-000258	TR-POWER;KSC1983,NPN,30W,TO-220,-,500		
D805	0402-000546	DIODE-RECTIFIER;TVR10G,400V,1.0A,DO-41,T		0402-001176	DIODE-RECTIFIER;FMO-G5G5,1.7KV,10A,TO-22	H/SINK	
D810	0402-000250	DIODE-RECTIFIER;RG4C,1000V,1A,-		0502-001121	TR-POWER;2SC5144,NPN,200W,TO-3PL,BK,10	H/SINK	
D834	0402-000546	DIODE-RECTIFIER;TVR10G,400V,1.0A,DO-41,T		0501-000283	TR-SMALL SIGNAL;KSA539,PNP,400mW,TO-92,T		
D839	0402-000243	DIODE-RECTIFIER;RC2-V1,2000V,0.2A,DO-201		0502-000298	TR-POWER;KSD73,NPN,30W,TO-220,-,120-240		
D842	0402-000546	DIODE-RECTIFIER;TVR10G,400V,1.0A,DO-41,T		0502-001104	TR-POWER;2SD921,NPN,80W,TO-3P,BK,700-		
D843	0402-000546	DIODE-RECTIFIER;TVR10G,400V,1.0A,DO-41,T		0502-001118	TR-POWER;KSC2335,NPN,40W,TO-220,ST,30-6		
D851	0402-000493	DIODE-RECTIFIER;1R5GU41,400V,1.5A,DO-15L		0502-001100	TR-POWER;2SC4125,NPN,70W,TO-3PML,BK,8-	H/SINK	
D854	0402-000233	DIODE-RECTIFIER;FML-G12S,200V,5A,-,-		2004-001897	R-METAL(S);43.2Kohm,1%,1/2W,AA,TP,2.5x6		
△D871	0402-000231	DIODE-RECTIFIER;FMG-G26S,600V,4A,TO-220F	H/SINK	2004-001897	R-METAL(S);43.2Kohm,1%,1/2W,AA,TP,2.5x6		
△D871	0402-000233	DIODE-RECTIFIER;FML-G12S,200V,5A,-,-	H/SINK	2004-001984	R-METAL(S);26.7Kohm,1%,1/2W,AA,TP,2.4x6		
DIODEZ	0403-000295	DIODE-ZENER;MT25,1B,5.1V,4.94-5.20V,500m		2004-001984	R-METAL(S);26.7Kohm,1%,1/2W,AA,TP,2.4x6		
DZ301	0403-000658	DIODE-ZENER;MT218A,18V,16.22-17.06V,500m		2003-002129	R-METAL OXIDE(S);3.9ohm,5%,2W,AF,TP,3.9x		
DZ304	0403-000658	DIODE-ZENER;MT218A,18V,16.22-17.06V,500m		2003-001036	R-METAL OXIDE(S);3.3ohm,5%,2W,AF,TP,3.9x		
DZ305	0403-000563	DIODE-ZENER;TVR1B,9.1V,8.57-9.01V,500m		2001-000016	R-CARBON(S);10HM,5%,1/2W,AA,TP,2.4X6.4MM		
DZ306	0403-000494	DIODE-ZENER;MT239,39V,35.36-37.2V,500mW		2003-002150	R-METAL OXIDE;270OHM,5%,2W,AG,TP,6X16MM		
DZ307	0403-000700	DIODE-ZENER;TZP27A,33V,31-35V,1W,DO-41,T		2001-000290	R-CARBON;10KOHM,5%,1/8W,AA,TP,1.8X3.2MM		
DZ308	0403-000699	DIODE-ZENER;TZP27B,27V,27-30.8V,1W,DO-41		2001-000761	R-CARBON;430OHM,5%,1/8W,AA,TP,1.8X3.2MM		
DZ411	0403-000700	DIODE-ZENER;TZP27A,33V,31-35V,1W,DO-41,T		2001-000761	R-CARBON;430OHM,5%,1/8W,AA,TP,1.8X3.2MM		
DZ412	0403-000700	DIODE-ZENER;TZP27A,33V,31-35V,1W,DO-41,T		2001-001107	R-CARBON(S);220ohm,5%,1/2W,AA,TP,2.4x6.4		
DZ473	0403-000563	DIODE-ZENER;MT29,1B,9.1V,8.57-9.01V,500m		2001-001107	R-CARBON(S);220ohm,5%,1/2W,AA,TP,2.4x6.4		
DZ481	0403-000658	DIODE-ZENER;MT218A,18V,16.22-17.06V,500m		2001-001107	R-CARBON(S);220ohm,5%,1/2W,AA,TP,2.4x6.4		
DZ833	0403-001271	DIODE-ZENER;BZD23-C200,188-212V,1000mW,D		2004-001983	R-METAL(S);2.49Kohm,1%,1/2W,AA,TP,2.4x6		
DZ837	0403-000170	DIODE-ZENER;1N4762,82V,10%,1W,DO-41,TP		2004-001897	R-METAL(S);43.2Kohm,1%,1/2W,AA,TP,2.5x6		
DZ840	0403-001039	DIODE-ZENER;MA2560,55V,52-60V,1W,DO-41,T		2004-002016	R-METAL(S);15Kohm,1%,1/2W,AA,TP,2.5x6.5m		
DZ841	0403-000691	DIODE-ZENER;RK,170V,170-200V,-,-,TP		2004-001394	R-METAL(S);2Kohm,1%,1/2W,AA,TP,2.4x6.4mm		
DZ858	0403-000656	DIODE-ZENER;MT215C,15V,14.35-15.09V,500m		2001-000109	R-CARBON(S);470OHM,5%,1/2W,AA,TP,2.4X6.4		
F801	3601-000300	FUSE-FERRULE;250V,6.3A,SB,GLASS,5X20MM		2001-000290	R-CARBON;10KOHM,5%,1/8W,AA,TP,1.8X3.2MM		
F801A	3602-000114	FUSE-HOLDER;-,30mohm		2008-000299	R-FUSIBLE(S);47ohm,5%,2W,AF,TP,3.9x10mm		
F801B	3602-000114	FUSE-HOLDER;-,30mohm		2003-002153	R-METAL OXIDE;4.7OHM,5%,2W,AG,TP,6X16MM		
F802	3601-001137	FUSE-FERRULE;250V,6A,SB,GLASS,5.2X20MM		2003-002152	R-METAL OXIDE;10HM,5%,2W,AG,TP,6X16MM		
F804	3601-000300	FUSE-FERRULE;250V,6.3A,SB,GLASS,5X20MM		2003-002152	R-METAL OXIDE;10HM,5%,2W,AG,TP,6X16MM		
F804A	3602-000114	FUSE-HOLDER;-,30mohm		2002-001017	R-COMPOSITION;1Kohm,10%,1/2W,AA,TP,3.7x9		
F804B	3602-000114	FUSE-HOLDER;-,30mohm		2002-001017	R-COMPOSITION;1Kohm,10%,1/2W,AA,TP,3.7x9		
F805	3601-001086	FUSE-FERRULE;125V,5A,FA,GLASS,2.4x7.5mm		2003-000586	R-METAL OXIDE(S);22Kohm,5%,2W,AF,TP,4x12		
F806	3601-001065	FUSE-FERRULE;125V,3.5A,FA,CERAMIC,2.4X7		2003-000586	R-METAL OXIDE(S);22Kohm,5%,2W,AF,TP,4x12		
F807	3601-001065	FUSE-FERRULE;125V,3.5A,FA,CERAMIC,2.4X7		2001-001155	R-CARBON(S);5.6KOHM,5%,1/2W,AA,TP,2.4X6		
F854	3601-001086	FUSE-FERRULE;125V,5A,FA,GLASS,2.4x7.5mm		2001-001093	R-CARBON(S);2.2KOHM,5%,1/2W,AA,TP,2.4X6		
F855	3601-001064	FUSE-FERRULE;125V,4A,FA,GLASS,2.4x7.5mm		2008-001091	R-FUSIBLE(S);0.47OHM,10%,1/2W,AC,BK,2.5X		
F871	3601-001065	FUSE-FERRULE;125V,3.5A,FA,CERAMIC,2.4X7		2008-000282	R-FUSIBLE;0.47ohm,5%,1W,AA,TP,3.9x12mm		
△IC301	1204-000517	IC-VERTICAL DEF;LA7845,SIP,7P,-,PLASTIC		2008-001091	R-FUSIBLE(S);0.47OHM,10%,1/2W,AC,BK,2.5X		
△IC421	1203-000165	IC-POSITIVE ADJUST REG.;78R12,TO-220,3P,-,-		2003-000995	R-METAL OXIDE(S);3.3Kohm,5%,2W,AF,TP,3.9		
△IC431	1201-000191	IC-OP AMP;4558,DIP,8P;300MIL,DUAL,20V,mv		2003-002154	R-METAL OXIDE;56OHM,5%,2W,AG,TP,6X16MM		
△IC801	AA13-00018A	IC-HYBRID;-,STR-F6656,LF1351,SPIN,-,-		2003-000502	R-METAL OXIDE(S);150ohm,5%,2W,AA,TP,4x12		
△IC802	AA13-00033A	IC-HYBRID;-,SVD001,-,7PIN,-,-		2003-002158	R-METAL OXIDE;0.68OHM,5%,1W,AG,TP,4.3X12		
△IC804	1203-001400	IC-POWER PRESCALER;SE110N,TO-220(SIP),3P		2008-001091	R-FUSIBLE(S);0.47OHM,10%,1/2W,AC,BK,2.5X		
△IC806	0604-001032	PHOTO-COUPLER;TR,170-260V,300mW,DIP,4,ST		2004-001386	R-METAL(S);16.9Kohm,1%,1/2W,AA,TP,2.4x6		
L431	AA27-30003M	COIL-LINEARILITY;-,5uH,OWA14x15,USRCO,1x6		2004-001986	R-METAL(S);35.7Kohm,1%,1/2W,AA,TP,2.4x6		
L432	AA27-40001U	COIL-HORIZ.WIDTH;-,220UH,DR1420,PIO,12X1		2001-001122	R-CARBON(S);3.9KOHM,5%,1/2W,AA,TP,2.4X6		
L481	3301-000287	CORE-FERRITE BEAD;AA,3.5x1x6mm,1500,2400		2004-001390	R-METAL(S);1Kohm,2%,1/2W,AA,TP,2.4x6.4mm		
L482	3301-000287	CORE-FERRITE BEAD;AA,3.5x1x6mm,1500,2400		2001-000028	R-CARBON(S);100OHM,5%,1/2W,AA,TP,2.4X6.4		
L483	2901-000297	FILTER-EMI ON BOARD;-,3A,-,3.5x5,TP-		2004-002011	R-METAL(S);110Kohm,1%,1/2W,AA,TP,2.4x6.4		
L492	2701-000115	INDUCTOR-AXIAL;10uH,10%,3x7mm		2008-000252	R-FUSIBLE(S);0.47ohm,10%,1/2W,AF,TP,2.5x		
L800	AA29-30002P	FILTER-LINE NOISE;-,3MH,5A,AC100-260V,35		2004-001395	R-METAL(S);330Kohm,2%,1/2W,AA,TP,2.4x6.4		
L801	AA29-30002M	FILTER-LINE NOISE;-,1mHMIN,5A,AC90-260V		2003-002070	R-METAL OXIDE;1ohm,5%,2W,AF,TP,3.9x10mm		
L803	AA29-30002M	FILTER-LINE NOISE;-,1mHMIN,5A,AC90-260V		2001-000273	R-CARBON;100KOHM,5%,1/8W,AA,TP,1.8X3.2M		
L806	2901-000297	FILTER-EMI ON BOARD;-,3A,-,3.5x5,TP-		2001-000002	R-CARBON(S);200KOHM,5%,1/2W,AA,TP,6.4X2		
L807	2901-000297	FILTER-EMI ON BOARD;-,3A,-,3.5x5,TP-		2001-000002	R-CARBON(S);200KOHM,5%,1/2W,AA,TP,6.4X2		
L808	3301-000287	CORE-FERRITE BEAD;AA,3.5x1x6mm,1500,2400		2003-002151	R-METAL OXIDE;18KOHM,5%,2W,AG,TP,6X16MM		
L810	2901-000297	FILTER-EMI ON BOARD;-,3A,-,3.5x5,TP-		2003-002151	R-METAL OXIDE;18KOHM,5%,2W,AG,TP,6X16MM		
L811	2901-000297	FILTER-EMI ON BOARD;-,3A,-,3.5x5,TP-		2003-002162	R-METAL OXIDE(S);15KOHM,5%,3W,AG,TP,6X16		
L812	2901-000297	FILTER-EMI ON BOARD;-,3A,-,3.5x5,TP-		2003-002162	R-METAL OXIDE(S);15KOHM,5%,3W,AG,TP,6X16		
L813	2901-000297	FILTER-EMI ON BOARD;-,3A,-,3.5x5,TP-		2009-001096	R-METAL PLATE;0.07OHM,5%,5W,-,BK,13X5.1		
L814	3301-000287	CORE-FERRITE BEAD;AA,3.5x1x6mm,1500,2400		2002-001010	R-COMPOSITION;1.8Mohm,5%,1/2W,AA,TP,3.7x		
L815	2901-000297	FILTER-EMI ON BOARD;-,3A,-,3.5x5,TP-		2001-001178	R-CARBON(S);680OHM,5%,1/2W,AA,TP,2.4X6.4		
L832	3301-000287	CORE-FERRITE BEAD;AA,3.5x1x6mm,1500,2400		2003-001024	R-METAL OXIDE(S);150ohm,5%,2W,AF,TP,3.9x		
L833	3301-000287	CORE-FERRITE BEAD;AA,3.5x1x6mm,1500,2400		2001-001097	R-CARBON(S);2.4KOHM,5%,1/2W,AA,TP,2.4X6		
L851	2901-000297	FILTER-EMI ON BOARD;-,3A,-,3.5x5,TP-		2001-001144	R-CARBON(S);4.7KOHM,5%,1/2W,AA,TP,2.4X6		
L854	AA27-10001C	COIL-CHOKE;-,100uH,K,-,5.0A,ST,700UH-K(R		2003-002020	R-METAL OXIDE(S);56Kohm,5%,2W,AF,TP,3.9x		
L857	2901-000297	FILTER-EMI ON BOARD;-,3A,-,3.5x5,TP-		2001-001170	R-CARBON(S);6.8OHM,5%,1/2W,AA,TP,2.4X6.4		
L859	2901-000297	FILTER-EMI ON BOARD;-,3A,-,3.5x5,TP-		2001-001150	R-CARBON(S);470KOHM,5%,1/2W,AA,TP,2.4X6		
L860	AA27-10001C	COIL-CHOKE;-,100uH,K,-,5.0A,ST,700UH-K(R		2003-002020	R-METAL OXIDE(S);56Kohm,5%,2W,AF,TP,3.9x		
L862	AA27-10001C	COIL-CHOKE;-,100uH,K,-,5.0A,ST,700UH-K(R		2003-002020	R-METAL OXIDE(S);56Kohm,5%,2W,AF,TP,3.9x		
L872	AA27-10001C	COIL-CHOKE;-,100uH,K,-,5.0A,ST,700UH-K(R		2003-002020	R-METAL OXIDE(S);56Kohm,5%,2W,AF,TP,3.9x		

Loc. No.	Code No.	Description ; Specification	Remark	Loc. No.	Code No.	Description ; Specification	Remark
R847	2003-002020	R-METAL OXIDE(S);56Kohm,5%,2W,AF,TP,3.9x		D342	0401-000005	DIODE-SWITCHING;1N4148,100V,200MA,DO-35,	
R848	2001-000114	R-CARBON(S);180KOHM,5%,1/2W,AA,TP,2.4X6.		D343	0401-000005	DIODE-SWITCHING;1N4148,100V,200MA,DO-35,	
R849	2001-000114	R-CARBON(S);180KOHM,5%,1/2W,AA,TP,2.4X6.		D344	0401-000005	DIODE-SWITCHING;1N4148,100V,200MA,DO-35,	
R855	2001-001196	R-CARBON(S);1.1KOHM,5%,1/2W,AA,TP,2.4X6.		D352	0401-000005	DIODE-SWITCHING;1N4148,100V,200MA,DO-35,	
R856	2001-001155	R-CARBON(S);5.6KOHM,5%,1/2W,AA,TP,2.4X6.		D353	0401-000005	DIODE-SWITCHING;1N4148,100V,200MA,DO-35,	
R857	2001-001155	R-CARBON(S);5.6KOHM,5%,1/2W,AA,TP,2.4X6.		D355	0402-000546	DIODE-RECTIFIER;TVR10G,400V,1.0A,DO-41,T	
R871	2001-001088	R-CARBON(S);1KOHM,5%,1/2W,AA,TP,2.4X6.4M		D363	0401-000005	DIODE-SWITCHING;1N4148,100V,200MA,DO-35,	
R872	2001-001088	R-CARBON(S);1KOHM,5%,1/2W,AA,TP,2.4X6.4M		D364	0401-000005	DIODE-SWITCHING;1N4148,100V,200MA,DO-35,	
R873	2001-001097	R-CARBON(S);2.4KOHM,5%,1/2W,AA,TP,2.4X6.		D371	0401-000005	DIODE-SWITCHING;1N4148,100V,200MA,DO-35,	
R891	2002-001013	R-COMPOSITION;4.7Mohm,5%,1/2W,AA,TP,3.7x		D372	0401-000005	DIODE-SWITCHING;1N4148,100V,200MA,DO-35,	
RL802	3501-001040	RELAY-POWER;12VDC,500mW,10A,1FormA,15mS,		D373	0402-000243	DIODE-RECTIFIER;RC2-V1,2000V,0.2A,DO-201	
SCREW T	6003-001023	SCREW-TAPTITE;RWH,+,B,M3,L10,ZPC(YEL),SW		D374	0401-000005	DIODE-SWITCHING;1N4148,100V,200MA,DO-35,	
△ T431	AA26-50001U	TRANS-HORIZ.DRIVE;-28mH,105uH,4uH,ER28x		D385	0401-000005	DIODE-SWITCHING;1N4148,100V,200MA,DO-35,	
△ T432	AA26-00012A	TRANS-DUMMY;-1.3MH,EE4445,110V/7.6V/21		D386	0403-000663	DIODE-ZENER;MTZ3.3B,3.3V,3.32-3.53V,500m	
△ T444	AA26-30005A	TRANS-FLYBACK;-FWZ-50A001.50,108V		D395	0403-000355	DIODE-ZENER,UZ5.1BSB,5.1V,4.97-5.18V,500	
△ T461	AA26-50001V	TRANS-HORIZ.DRIVE;-6.0mH,113uH,4uH,EI19		D442	0401-000005	DIODE-SWITCHING;1N4148,100V,200MA,DO-35,	
△ T481	AA26-50001W	TRANS-HORIZ.DRIVE;-830uH,23uH,4uH,EI-30		D443	0401-000005	DIODE-SWITCHING;1N4148,100V,200MA,DO-35,	
T802	AA26-00006A	TRANS-SWITCHING;-90-260V,110V/34V/+30V		D451	0402-000216	DIODE-RECTIFIER;ERC24-06,600V,1.0A,DO-20	
VR471	2103-001024	VR-SEMI;50Kohm,25%,0.3W,TOP		D456	0401-000005	DIODE-SWITCHING;1N4148,100V,200MA,DO-35,	
				D457	0403-000551	DIODE-ZENER;MTZ3.9B,3.9V,3.89-4.16V,500m	
				D474	0403-000531	DIODE-ZENER;MTZ13B,13V,12.55-13.21V,500m	
				D475	0401-000005	DIODE-SWITCHING;1N4148,100V,200MA,DO-35,	
				D476	0401-000005	DIODE-SWITCHING;1N4148,100V,200MA,DO-35,	
				D477	0401-000005	DIODE-SWITCHING;1N4148,100V,200MA,DO-35,	
				D478	0401-000005	DIODE-SWITCHING;1N4148,100V,200MA,DO-35,	
				D479	0401-000005	DIODE-SWITCHING;1N4148,100V,200MA,DO-35,	
				D480	0402-000132	DIODE-RECTIFIER;1N4004,400V,1A,DO-41,TP	
				D482	0401-000005	DIODE-SWITCHING;1N4148,100V,200MA,DO-35,	
				D483	0403-000563	DIODE-ZENER;MTZ9.1B,9.1V,8.57-9.01V,500m	
				D491	0401-000005	DIODE-SWITCHING;1N4148,100V,200MA,DO-35,	
				D492	0403-000666	DIODE-ZENER;MTZ5.1A,5.1V,4.81-5.07V,500m	
				IC471	1203-000610	IC-PWM CONTROLLER;494,DIP,16P,300MIL,PLA	
				IC481	1203-001217	IC-POS.ADJUST REG.;431,TO-92,3P,4.58MIL	
				IC491	0801-000659	IC-CMOS LOGIC;74HC123,MULTIVIBRATOR,DIP,1	
				L341	2701-000116	INDUCTOR-AXIAL;10uH,10%,4.2x9.8mm	
				L351	AA27-10003M	COIL-CHOKE;-6100uH,J,40,34mA,TP,EL0607R	
				PCB	AA41-00021A	PCB-HV MODULE;P51A,1L,FR-1,330X245X1.6T,	
				Q342	0501-000389	TR-SMALL SIGNAL;KSC815,NPN,400mW,TO-92,T	
				Q343	0501-000389	TR-SMALL SIGNAL;KSC815,NPN,400mW,TO-92,T	
				Q344	0501-000283	TR-SMALL SIGNAL;KSA539,PNP,400mW,TO-92,T	
				Q350	0501-000389	TR-SMALL SIGNAL;KSC815,NPN,400mW,TO-92,T	
				Q351	0501-000283	TR-SMALL SIGNAL;KSA539,PNP,400mW,TO-92,T	
				Q352	0501-000389	TR-SMALL SIGNAL;KSC815,NPN,400mW,TO-92,T	
				Q353	0501-000389	TR-SMALL SIGNAL;KSC815,NPN,400mW,TO-92,T	
				Q354	0501-000283	TR-SMALL SIGNAL;KSA539,PNP,400mW,TO-92,T	
				Q355	0501-000366	TR-SMALL SIGNAL;KSC2330-Y,NPN,1W,TO-92L	
				Q371	0502-000442	TR-POWER;2SC4636RB,NPN,2W,TO-220,ST,10-	H/SINK
				Q381	0501-000389	TR-SMALL SIGNAL;KSC815,NPN,400mW,TO-92,T	
				Q382	0501-000389	TR-SMALL SIGNAL;KSC815,NPN,400mW,TO-92,T	
				△ Q401	0501-000389	TR-SMALL SIGNAL;KSC815,NPN,400mW,TO-92,T	
				△ Q402	0501-000389	TR-SMALL SIGNAL;KSC815,NPN,400mW,TO-92,T	
				△ Q421	0501-000389	TR-SMALL SIGNAL;KSC815,NPN,400mW,TO-92,T	
				△ Q422	0502-001118	TR-POWER;KSC2335,NPN,40W,TO-220,ST,30-6	
				△ Q451	0501-000389	TR-SMALL SIGNAL;KSC815,NPN,400mW,TO-92,T	
				△ Q452	0501-000389	TR-SMALL SIGNAL;KSC815,NPN,400mW,TO-92,T	
				△ Q453	0501-000389	TR-SMALL SIGNAL;KSC815,NPN,400mW,TO-92,T	
				△ Q454	0501-000283	TR-SMALL SIGNAL;KSA539,PNP,400mW,TO-92,T	
				△ Q461	0501-000389	TR-SMALL SIGNAL;KSC815,NPN,400mW,TO-92,T	
				△ Q471	0501-000389	TR-SMALL SIGNAL;KSC815,NPN,400mW,TO-92,T	
				△ Q473	0501-000389	TR-SMALL SIGNAL;KSC815,NPN,400mW,TO-92,T	
				△ Q481	0501-000389	TR-SMALL SIGNAL;KSC815,NPN,400mW,TO-92,T	
				△ Q482	0501-000283	TR-SMALL SIGNAL;KSA539,PNP,400mW,TO-92,T	
				△ Q483	0501-000283	TR-SMALL SIGNAL;KSA539,PNP,400mW,TO-92,T	
				△ Q491	0501-000389	TR-SMALL SIGNAL;KSC815,NPN,400mW,TO-92,T	
				R339	2001-000613	R-CARBON;3.9KOHM,5%,1/8W,AA,TP,1.8X3.2M	
				R340	2001-000241	R-CARBON;1.5KOHM,5%,1/8W,AA,TP,1.8X3.2M	
				R341	2001-000429	R-CARBON;1KOHM,5%,1/8W,AA,TP,1.8X3.2MM	
				R342	2001-000273	R-CARBON;100KOHM,5%,1/8W,AA,TP,1.8X3.2M	
				R343	2001-000812	R-CARBON;5.6KOHM,5%,1/8W,AA,TP,1.8X3.2M	
				R344	2001-000890	R-CARBON;5.6KOHM,5%,1/8W,AA,TP,1.8X3.2M	
				R345	2001-001088	R-CARBON(S);1KOHM,5%,1/2W,AA,TP,2.4X6.4M	
				R345A	2001-000429	R-CARBON;1KOHM,5%,1/8W,AA,TP,1.8X3.2MM	
				R346	2001-000290	R-CARBON;10KOHM,5%,1/8W,AA,TP,1.8X3.2MM	
				R347	2001-001088	R-CARBON(S);1KOHM,5%,1/2W,AA,TP,2.4X6.4M	
				R348	2001-000591	R-CARBON;3.3KOHM,5%,1/8W,AA,TP,1.8X3.2M	
				R349	2001-000252	R-CARBON;1.6KOHM,5%,1/8W,AA,TP,1.8X3.2M	
				R350	2001-000734	R-CARBON;4.7KOHM,5%,1/8W,AA,TP,1.8X3.2M	

ASSY-PCB,H/V

*AA95-00309A ASSY-PCB,H/V;-PCJ552WX/XAA,P51A,-,USA

BK01	AA61-10068A	BRACKET-PCB;-M2160,SPT,E,TO.3,-,-,-
BK02	AA61-10068A	BRACKET-PCB;-M2160,SPT,E,TO.3,-,-,-
BK03	AA61-10068A	BRACKET-PCB;-M2160,SPT,E,TO.3,-,-,-
C341	2401-000603	C-AL;1uF,20%,50V,GPT,5x11.5
C342	2401-000962	C-AL;22uF,20%,50V,GPT,5x11.5
C351	2301-000175	C-FILM,PEF;15nF,5%,50V,TP,7.1x3.5x13mm,5
C352	2401-000480	C-AL;10uF,20%,50V,GPT,5x11.5
C353	2201-000863	C-CERAMIC,DISC;680pF,10%,50V,Y5PT,5x3,
C354	2301-000261	C-FILM,PEF;4.7nF,5%,100V,TP,10.5x12.5x6.
C355	2401-000480	C-AL;10uF,20%,50V,GPT,5x11.5
C356	2201-000180	C-CERAMIC,DISC;10nF,10%,50V,Y5V,TP,6.5*3
C357	2401-001989	C-AL;4.7uF,20%,50V,BPT,5x11.5
C358	2401-000471	C-AL;10uF,20%,50V,BPT,5x11.5mm
C360	2305-000355	C-FILM,MPEF;330nF,5%,63V,TP,-,5mm
C361	2306-000122	C-FILM,MPPF;100nF,5%,50V,TP,7.3x4.0x5.0m
C362	2305-000149	C-FILM,MPEF;100nF,5%,100V,TP,12x12.5x6.5
C371	2401-000302	C-AL;100uF,20%,25V,GPT,6.3x11.5
C372	2401-000480	C-AL;10uF,20%,50V,GPT,5x11.5
C373	2401-000302	C-AL;100uF,20%,25V,GPT,6.3x11.5
C374	2401-001621	C-AL;8.8uF,20%,450V,GPT,13x20.5
C405	2201-000558	C-CERAMIC,DISC;470pF,10%,50V,Y5PT,5x3,
C406	2201-000370	C-CERAMIC,DISC;220pF,10%,50V,Y5PT,4.0X
C421	2401-000302	C-AL;100uF,20%,25V,GPT,6.3x11.5
C422	2301-000289	C-FILM,PEF;5.6nF,5%,50V,TP,7x6x3,5
C429	2305-000704	C-FILM,MPEF;100nF,5%,250V,TP,16.5x10.3x5
C454	2303-000331	C-FILM,PEF;4.7nF,5%,630V,TP,19.5x12x7.7.
C455	2401-001527	C-AL;47uF,20%,250V,HR,TP,13x25mm,5m
C456	2201-000132	C-CERAMIC,DISC;100pF,10%,500V,Y5PT,6x4
C461	2201-000800	C-CERAMIC,DISC;560pF,10%,50V,Y5PT,5x3,
C462	2301-000246	C-FILM,PEF;33nF,5%,100V,TP,7x5.0x9.5mm,5
C466	2305-000289	C-FILM,MPEF;220nF,5%,63V,TP,-,5mm
C480	2306-000122	C-FILM,MPPF;100nF,5%,50V,TP,7.3x4.0x5.0m
C481	2401-000914	C-AL;22uF,20%,16V,GPT,5x11.5
C482	2305-000178	C-FILM,MPEF;10nF,5%,100V,TP,-,5mm
C484	2401-001026	C-AL;3.3UF,20%,50V,GPT,5x11.5
C485	2201-000146	C-CERAMIC,DISC;100pF,5%,50V,SL,TP,5x3,5
C486	2201-000146	C-CERAMIC,DISC;100pF,5%,50V,SL,TP,5x3,5
C487	2401-001026	C-AL;3.3UF,20%,50V,GPT,5x11.5
C488	2401-002144	C-AL;47uF,20%,16V,GPT,5x11.5
C489	2401-0001840	C-AL;100uF,20%,16V,GPT,6.3x11.5
C490	2201-000119	C-CERAMIC,DISC;100nF,+80-20%,50V,Y5V,TP,
C492	2401-002144	C-AL;47uF,20%,16V,GPT,5x11.5
C493	2201-000119	C-CERAMIC,DISC;100nF,+80-20%,50V,Y5V,TP,
C494	2201-000471	C-CERAMIC,DISC;0.33nF,10%,50V,Y5PT,4x3
C495	2301-000192	C-FILM,PEF;1nF,5%,50V,TP,5.3x10mm,5mm
C496	2401-000832	C-AL;220uF,20%,25V,GPT,8x11.5.5
CLAMP W	AA65-30105C	CLAMP-WIRE;NYLON 66,V2,NTR,2MM,ALL MODEL
CN401	3711-001049	CONNECTOR-HEADER;BOX,6P,1R,2.5mm,ANGLE,-
CN402	3711-002709	CONNECTOR-HEADER;NOWALL,12P,1R,2.5MM,ANG
CN403	AA39-20052A	LEAD CONNECTOR-ASSY;-YBNH025-04,YSH025-
CN404	3711-001283	CONNECTOR-HEADER;NOWALL,14P,1R,2.5mm,ANG

Loc. No.	Code No.	Description : Specification	Remark
R351	2001-001178	R-CARBON(S);680OHM,5%,1/2W,AA,TP,2.4X6.4	
R352	2001-000003	R-CARBON;330ohm,5%,1/8W,AA,TP,1.8X3.2MM	
R353	2001-000890	R-CARBON;6.8KOHM,5%,1/8W,AA,TP,1.8X3.2M	
R354	2001-000890	R-CARBON;6.8KOHM,5%,1/8W,AA,TP,1.8X3.2M	
R355	2001-000008	R-CARBON;20KOHM,5%,1/8W,AA,TP,1.8X3.2MM	
R357	2001-000009	R-CARBON;150KOHM,5%,1/8W,AA,TP,1.8X3.2MM	
R358	2001-000837	R-CARBON;51KOHM,5%,1/8W,AA,TP,1.8X3.2MM	
R359	2001-000766	R-CARBON;43KOHM,5%,1/8W,AA,TP,1.8X3.2MM	
R360	2001-000857	R-CARBON;560OHM,5%,1/8W,AA,TP,1.8X3.2MM	
R361	2001-001191	R-CARBON(S);820KOHM,5%,1/2W,AA,TP,2.4X6.4	
R362	2001-000660	R-CARBON;33KOHM,5%,1/8W,AA,TP,1.8X3.2MM	
R363	2001-000723	R-CARBON;4.3KOHM,5%,1/8W,AA,TP,1.8X3.2M	
R364	2001-000938	R-CARBON;680OHM,5%,1/8W,AA,TP,1.8X3.2MM	
R365	2001-001120	R-CARBON(S);3.30HM,5%,1/2W,AA,TP,2.4X6.4	
R366	2001-000109	R-CARBON(S);470OHM,5%,1/2W,AA,TP,2.4X6.4	
R367	2001-001065	R-CARBON(S);110KOHM,5%,1/2W,AA,TP,2.4X6.4	
R368	2001-001065	R-CARBON(S);110KOHM,5%,1/2W,AA,TP,2.4X6.4	
R369	2001-001065	R-CARBON(S);110KOHM,5%,1/2W,AA,TP,2.4X6.4	
R369A	2001-001065	R-CARBON(S);110KOHM,5%,1/2W,AA,TP,2.4X6.4	
R370	2001-001065	R-CARBON(S);110KOHM,5%,1/2W,AA,TP,2.4X6.4	
R371	2001-001065	R-CARBON(S);110KOHM,5%,1/2W,AA,TP,2.4X6.4	
R372	2001-001110	R-CARBON(S);240KOHM,5%,1/2W,AA,TP,2.4X6.4	
R373	2001-001110	R-CARBON(S);240KOHM,5%,1/2W,AA,TP,2.4X6.4	
R374	2001-001110	R-CARBON(S);240KOHM,5%,1/2W,AA,TP,2.4X6.4	
R375	2001-001113	R-CARBON(S);270KOHM,5%,1/2W,AA,TP,2.4X6.4	
R376	2001-000613	R-CARBON;3.9KOHM,5%,1/8W,AA,TP,1.8X3.2M	
R377	2004-001892	R-METAL(S);162Kohm,1%,1/2W,AA,TP,2.5x6.5	
R378	2004-001892	R-METAL(S);162Kohm,1%,1/2W,AA,TP,2.5x6.5	
R379	2004-001892	R-METAL(S);162Kohm,1%,1/2W,AA,TP,2.5x6.5	
R380	2004-001892	R-METAL(S);162Kohm,1%,1/2W,AA,TP,2.5x6.5	
R381	2001-001088	R-CARBON(S);1KOHM,5%,1/2W,AA,TP,2.4X6.4M	
R384	2001-001150	R-CARBON(S);470KOHM,5%,1/2W,AA,TP,2.4X6.4	
R385	2001-000577	R-CARBON;2KOHM,5%,1/8W,AA,TP,1.8X3.2MM	
R386	2001-000786	R-CARBON;47KOHM,5%,1/8W,AA,TP,1.8X3.2MM	
R387	2001-000009	R-CARBON;20KOHM,5%,1/8W,AA,TP,1.8X3.2MM	
R388	2001-000522	R-CARBON;22KOHM,5%,1/8W,AA,TP,1.8X3.2MM	
R389	2001-000577	R-CARBON;2KOHM,5%,1/8W,AA,TP,1.8X3.2MM	
R395	2001-000734	R-CARBON;4.7KOHM,5%,1/8W,AA,TP,1.8X3.2M	
R397	2001-000429	R-CARBON;1KOHM,5%,1/8W,AA,TP,1.8X3.2MM	
R412	2001-001088	R-CARBON(S);1KOHM,5%,1/2W,AA,TP,2.4X6.4M	
R413	2001-000515	R-CARBON;220OHM,5%,1/8W,AA,TP,1.8X3.2MM	
R414	2001-000290	R-CARBON;10KOHM,5%,1/8W,AA,TP,1.8X3.2MM	
R415	2001-000734	R-CARBON;4.7KOHM,5%,1/8W,AA,TP,1.8X3.2M	
R416	2001-000006	R-CARBON;2.4KOHM,5%,1/8W,AA,TP,1.8X3.2M	
R420	2001-000281	R-CARBON;100OHM,5%,1/8W,AA,TP,1.8X3.2MM	
R421	2003-002159	R-METAL OXIDE;150OHM,5%,1W,AG,TP,4.3X12M	
R422	2001-001163	R-CARBON(S);560OHM,5%,1/2W,AA,TP,2.4X6.4	
R423	2001-000889	R-CARBON;560OHM,5%,1/8W,AA,TP,1.8X3.2MM	
R425	2003-002153	R-METAL OXIDE(S);1.2KOHM,5%,3W,AG,TP,6X1	
R437	2008-001087	R-FUSIBLE(S);1.8ohm,5%,2W,AG,TP,3.9x12mm	
R438	2001-000885	R-CARBON(S);100KOHM,5%,1/2W,AA,TP,2.4X6.4	
R439	2001-000885	R-CARBON(S);100KOHM,5%,1/2W,AA,TP,2.4X6.4	
R442	2008-000254	R-FUSIBLE(S);0.68ohm,5%,2W,AF,TP,3.9x10m	
R442A	2008-000254	R-FUSIBLE(S);0.68ohm,5%,2W,AF,TP,3.9x10m	
R443	2003-002156	R-METAL OXIDE;560OHM,5%,2W,AG,TP,6X16MM	
R443A	2003-002156	R-METAL OXIDE;560OHM,5%,2W,AG,TP,6X16MM	
R445	2001-000258	R-CARBON;1.8KOHM,5%,1/8W,AA,TP,1.8X3.2M	
R446	2001-000522	R-CARBON;22KOHM,5%,1/8W,AA,TP,1.8X3.2MM	
R447	2001-000812	R-CARBON;5.6KOHM,5%,1/8W,AA,TP,1.8X3.2M	
R448	2001-000411	R-CARBON;18KOHM,5%,1/8W,AA,TP,1.8X3.2MM	
R449	2001-000660	R-CARBON;33KOHM,5%,1/8W,AA,TP,1.8X3.2MM	
R450	2001-000290	R-CARBON;10KOHM,5%,1/8W,AA,TP,1.8X3.2MM	
R451	2001-000812	R-CARBON;5.6KOHM,5%,1/8W,AA,TP,1.8X3.2M	
R452	2001-000241	R-CARBON;1.5KOHM,5%,1/8W,AA,TP,1.8X3.2M	
R454	2001-000761	R-CARBON;430OHM,5%,1/8W,AA,TP,1.8X3.2MM	
R455	2001-000761	R-CARBON;430OHM,5%,1/8W,AA,TP,1.8X3.2MM	
R456	2001-000761	R-CARBON;430OHM,5%,1/8W,AA,TP,1.8X3.2MM	
R458	2001-000577	R-CARBON;2KOHM,5%,1/8W,AA,TP,1.8X3.2MM	
R459	2001-001192	R-CARBON(S);820OHM,5%,1/2W,AA,TP,2.4X6.4	
R460	2003-002159	R-METAL OXIDE;150OHM,5%,1W,AG,TP,4.3X12M	
R461	2001-000302	R-CARBON;10OHM,5%,1/8W,AA,TP,1.8X3.2MM	
R464	2001-000734	R-CARBON;4.7KOHM,5%,1/8W,AA,TP,1.8X3.2M	
R471	2001-001146	R-CARBON(S);4.7OHM,5%,1/2W,AA,TP,2.4X6.4	
R472	2001-000800	R-CARBON;5.1KOHM,5%,1/8W,AA,TP,1.8X3.2M	
R473	2001-000800	R-CARBON;5.1KOHM,5%,1/8W,AA,TP,1.8X3.2M	
R474	2001-000009	R-CARBON;150KOHM,5%,1/8W,AA,TP,1.8X3.2MM	
R474A	2001-000508	R-CARBON;22KOHM,5%,1/8W,AA,TP,1.8X3.2M	

Loc. No.	Code No.	Description : Specification	Remark
R475	2001-000605	R-CARBON;3.6KOHM,5%,1/8W,AA,TP,1.8X3.2M	
R475A	2001-000411	R-CARBON;18KOHM,5%,1/8W,AA,TP,1.8X3.2MM	
R475B	2001-000734	R-CARBON;4.7KOHM,5%,1/8W,AA,TP,1.8X3.2M	
R477	2001-000429	R-CARBON;1KOHM,5%,1/8W,AA,TP,1.8X3.2MM	
R479	2001-000005	R-CARBON;390ohm,5%,1/8W,AA,TP,1.8X3.2mm	
R480	2001-000449	R-CARBON;2.2KOHM,5%,1/8W,AA,TP,1.8X3.2M	
R481	2001-000290	R-CARBON;10KOHM,5%,1/8W,AA,TP,1.8X3.2MM	
R482	2001-001031	R-CARBON;91KOHM,5%,1/8W,AA,TP,1.8X3.2MM	
R483	2001-000429	R-CARBON;1KOHM,5%,1/8W,AA,TP,1.8X3.2MM	
R484	2001-000429	R-CARBON;1KOHM,5%,1/8W,AA,TP,1.8X3.2MM	
R485	2008-001096	R-FUSIBLE(S);3.30HM,5%,1/2W,AC,BK,2.5X6.4	
R487	2001-000924	R-CARBON;680OHM,5%,1/8W,AA,TP,1.8X3.2MM	
R489	2001-000522	R-CARBON;22KOHM,5%,1/8W,AA,TP,1.8X3.2MM	
R490	2001-000723	R-CARBON;4.3KOHM,5%,1/8W,AA,TP,1.8X3.2M	
R491	2001-001178	R-CARBON(S);680OHM,5%,1/2W,AA,TP,2.4X6.4	
R492	2001-000591	R-CARBON;3.3KOHM,5%,1/8W,AA,TP,1.8X3.2M	
R493	2001-000429	R-CARBON;1KOHM,5%,1/8W,AA,TP,1.8X3.2MM	
R494	2001-000066	R-CARBON(S);10KOHM,5%,1/2W,AA,TP,2.4X6.4	
R495	2001-000037	R-CARBON(S);330OHM,5%,1/2W,AA,TP,2.4X6.4	
R496	2001-000347	R-CARBON;13KOHM,5%,1/8W,AA,TP,1.8X3.2MM	
R497	2001-000003	R-CARBON;330ohm,5%,1/8W,AA,TP,1.8X3.2mm	
R498	2001-001070	R-CARBON(S);120OHM,5%,1/2W,AA,TP,2.4X6.4	

ASSY-PCB,CRT

*AA95-00344AASSY-PCB,CRT;-P51A,-USA,HCJ552W

C511	2201-000969	C-CERAMIC,DISC;10nF,+80-20%,3KV,Y5V,TP,-	
C541	2201-000969	C-CERAMIC,DISC;10nF,+80-20%,3KV,Y5V,TP,-	
C571	2201-000969	C-CERAMIC,DISC;10nF,+80-20%,3KV,Y5V,TP,-	
VR501	2101-000321	VR-ROTARY;1Mohm,0.2,0.6W,-,-	
VR51	2101-000321	VR-ROTARY;1Mohm,0.2,0.6W,-,-	
VR561	2101-000321	VR-ROTARY;1Mohm,0.2,0.6W,-,-	
BDW-GN	AA39-20009J	LEAD CONNECTOR-ASSY;-YFH800-01,-,1P;800	
BRACKET	AA61-10060A	BRACKET-TR,-,-,CUS-1/2H,T0.5,-,-	
C501	2201-000961	C-CERAMIC,DISC;10pF,0.5pF,50V,RH,TP,5x3m	
C502	2401-000027	C-AL;4.7uF,20%,50V,GP,TP,5x11.5	
C503	2201-000119	C-CERAMIC,DISC;100nF,+80-20%,50V,Y5V,TP,-	
C504	2401-001537	C-AL;47uF,20%,25V,GP,TP,6.3x7mm,5mm	
C505	2305-000149	C-FILM,MPEF;100nF,5%,100V,TP,12x12.5x6.5	
C506	2401-000430	C-AL;10uF,20%,250V,GP,TP,10x16mm,5m	
C507	2305-000154	C-FILM,MPEF;100nF,5%,400V,TP,21.5x6.5x11	
C510	2401-000430	C-AL;10uF,20%,250V,GP,TP,10x16mm,5m	
C512	2401-000133	C-AL;1000uF,20%,16V,GP,TP,10x20.5	
C513	2201-000983	C-CERAMIC,DISC;1nF,10%,2KV,Y5P,TP,13x6.7	
C514	2201-000599	C-CERAMIC,DISC;560pF,10%,500V,Y5P,TP,7x4	
C531	2201-000961	C-CERAMIC,DISC;10pF,0.5pF,50V,RH,TP,5x3m	
C532	2401-000027	C-AL;4.7uF,20%,50V,GP,TP,5x11.5	
C533	2201-000119	C-CERAMIC,DISC;100nF,+80-20%,50V,Y5V,TP,-	
C534	2401-001537	C-AL;47uF,20%,25V,GP,TP,6.3x7mm,5mm	
C535	2305-000149	C-FILM,MPEF;100nF,5%,100V,TP,12x12.5x6.5	
C536	2401-000430	C-AL;10uF,20%,250V,GP,TP,10x16mm,5m	
C537	2305-000154	C-FILM,MPEF;100nF,5%,400V,TP,21.5x6.5x11	
C540	2401-000430	C-AL;10uF,20%,250V,GP,TP,10x16mm,5m	
C542	2201-000983	C-CERAMIC,DISC;1nF,10%,2KV,Y5P,TP,13x6.7	
C543	2201-000599	C-CERAMIC,DISC;560pF,10%,500V,Y5P,TP,7x4	
C561	2201-000247	C-CERAMIC,DISC;15pF,5%,50V,CH,TP,5x3.5	
C562	2401-000027	C-AL;4.7uF,20%,50V,GP,TP,5x11.5	
C563	2201-000119	C-CERAMIC,DISC;100nF,+80-20%,50V,Y5V,TP,-	
C564	2401-001537	C-AL;47uF,20%,25V,GP,TP,6.3x7mm,5mm	
C565	2305-000149	C-FILM,MPEF;100nF,5%,100V,TP,12x12.5x6.5	
C566	2401-000430	C-AL;10uF,20%,250V,GP,TP,10x16mm,5m	
C567	2305-000154	C-FILM,MPEF;100nF,5%,400V,TP,21.5x6.5x11	
C570	2401-000430	C-AL;10uF,20%,250V,GP,TP,10x16mm,5m	
C572	2201-000983	C-CERAMIC,DISC;1nF,10%,2KV,Y5P,TP,13x6.7	
C573	2201-000599	C-CERAMIC,DISC;560pF,10%,500V,Y5P,TP,7x4	
CN401	3711-002645	CONNECTOR-HEADER;BOX,6P,1R,2.5MM,STRAIGH	
CN501	3711-002647	CONNECTOR-HEADER;BOX,8P,1R,2.5mm,STRAIGH	
CN502	3711-002641	CONNECTOR-HEADER;BOX,10P,1R,2.54mm,STRAI	
CN502B	3711-002641	CONNECTOR-HEADER;BOX,10P,1R,2.54mm,STRAI	
CN503	3711-002641	CONNECTOR-HEADER;BOX,10P,1R,2.54mm,STRAI	
CN503B	3711-002641	CONNECTOR-HEADER;BOX,10P,1R,2.54mm,STRAI	
CNW401	AA39-20027C	LEAD CONNECTOR-ASSY;-67096-006,S,6P;500	
CNW501	AA39-20030B	LEAD CONNECTOR-ASSY;-67096-008,S,8P;400	
CNW502	AA39-20025C	LEAD CONNECTOR-ASSY;-67096-010,S,10P;30	

Loc. No.	Code No.	Description : Specification	Remark	Loc. No.	Code No.	Description : Specification	Remark
CNW503	AA39-20025C	LEAD CONNECTOR-ASSY,-,67096-010,S,10P,30		R550	2001-000066	R-CARBON(S);10KOHM,5%,1/2W,AA,TP,2.4X6.4	
COREF	3301-001201	CORE-FERRITE;AE,230.5x10.25x36mm,1500,28		R551	2001-001052	R-CARBON(S);1.5MOHM,5%,1/2W,AA,TP,2.4X6.	
D501	0402-000546	DIODE-RECTIFIER;TVR10G,400V,1.0A,DO-41,T		R552	2002-001006	R-COMPOSITION;4.7Kohm,5%,1/2W,AA,TP,3.7x	
D502	0402-000546	DIODE-RECTIFIER;TVR10G,400V,1.0A,DO-41,T		R553	2002-001006	R-COMPOSITION;4.7Kohm,5%,1/2W,AA,TP,3.7x	
D503	0402-000493	DIODE-RECTIFIER;1R5GU41,400V,1.5A,DO-15L		R554	2001-000028	R-CARBON(S);100OHM,5%,1/2W,AA,TP,2.4X6.4	
D504	0401-000005	DIODE-SWITCHING;1N4148,100V,200MA,DO-35,		R559	2002-001016	R-COMPOSITION;330Kohm,5%,1/2W,AA,TP,3.7x	
D509	0401-000005	DIODE-SWITCHING;1N4148,100V,200MA,DO-35,		R561	2001-000302	R-CARBON;100OHM,5%,1/8W,AA,TP,1.8X3.2MM	
D510	0401-000005	DIODE-SWITCHING;1N4148,100V,200MA,DO-35,		R562	2001-000429	R-CARBON;1KOHM,5%,1/8W,AA,TP,1.8X3.2MM	
D531	0402-000546	DIODE-RECTIFIER;TVR10G,400V,1.0A,DO-41,T		R563	2001-000429	R-CARBON;1KOHM,5%,1/8W,AA,TP,1.8X3.2MM	
D532	0402-000546	DIODE-RECTIFIER;TVR10G,400V,1.0A,DO-41,T		R564	2001-000680	R-CARBON;33KOHM,5%,1/8W,AA,TP,1.8X3.2MM	
D533	0402-000493	DIODE-RECTIFIER;1R5GU41,400V,1.5A,DO-15L		R566	2001-001088	R-CARBON(S);1KOHM,5%,1/2W,AA,TP,2.4X6.4M	
D561	0402-000546	DIODE-RECTIFIER;TVR10G,400V,1.0A,DO-41,T		R567	2001-000429	R-CARBON;1KOHM,5%,1/8W,AA,TP,1.8X3.2MM	
D562	0402-000546	DIODE-RECTIFIER;TVR10G,400V,1.0A,DO-41,T		R571	2001-000281	R-CARBON;100OHM,5%,1/8W,AA,TP,1.8X3.2MM	
D563	0402-000493	DIODE-RECTIFIER;1R5GU41,400V,1.5A,DO-15L		R572	2003-000706	R-METAL OXIDE(S);47Kohm,5%,2W,AA,TP,4.3x	
DZ501	0403-000546	DIODE-ZENER;MTZ3.6B,3.6V,3.6-3.845V,500m		R573	2008-000252	R-FUSIBLE(S);0.47ohm,10%,1/2W,AF,TP,2.5x	
DZ502	0403-000296	DIODE-ZENER;MTZ5.6B,5.6V,5.45-5.73V,500m		R574	2001-001122	R-CARBON(S);3.9KOHM,5%,1/2W,AA,TP,2.4X6.	
DZ503	0403-000531	DIODE-ZENER;MTZ13B,13V,12.55-13.21V,500m		R575	2002-001017	R-COMPOSITION;1Kohm,10%,1/2W,AA,TP,3.7x9	
DZ531	0403-000546	DIODE-ZENER;MTZ3.6B,3.6V,3.6-3.845V,500m		R576	2001-000009	R-CARBON;20KOHM,5%,1/8W,AA,TP,1.8X3.2MM	
DZ532	0403-000296	DIODE-ZENER;MTZ5.6B,5.6V,5.45-5.73V,500m		R577	2001-000085	R-CARBON(S);100KOHM,5%,1/2W,AA,TP,2.4X6.	
DZ533	0403-000531	DIODE-ZENER;MTZ13B,13V,12.55-13.21V,500m		R578	2002-001016	R-COMPOSITION;330Kohm,5%,1/2W,AA,TP,3.7x	
DZ561	0403-000546	DIODE-ZENER;MTZ3.6B,3.6V,3.6-3.845V,500m		R579	2002-001016	R-COMPOSITION;330Kohm,5%,1/2W,AA,TP,3.7x	
DZ562	0403-000296	DIODE-ZENER;MTZ5.6B,5.6V,5.45-5.73V,500m		R580	2001-000066	R-CARBON(S);10KOHM,5%,1/2W,AA,TP,2.4X6.4	
DZ563	0403-000531	DIODE-ZENER;MTZ13B,13V,12.55-13.21V,500m		R581	2001-001052	R-CARBON(S);1.5MOHM,5%,1/2W,AA,TP,2.4X6.	
FOCUS-	AA39-20115A	LEAD CONNECTOR-ASSY,-,BUSHING,-,1P,500,3		R582	2002-001006	R-COMPOSITION;4.7Kohm,5%,1/2W,AA,TP,3.7x	
FOCUS-	AA39-20115A	LEAD CONNECTOR-ASSY,-,BUSHING,-,1P,500,3		R583	2002-001006	R-COMPOSITION;4.7Kohm,5%,1/2W,AA,TP,3.7x	
FOCUS-	AA39-20115B	LEAD CONNECTOR-ASSY,-,BUSHING,-,1P,700MM		R584	2001-000028	R-CARBON(S);100OHM,5%,1/2W,AA,TP,2.4X6.	
GDW-GN	AA39-20009E	LEAD CONNECTOR-ASSY,-,YFH800-01,-,1P,600		R589	2002-001016	R-COMPOSITION;330Kohm,5%,1/2W,AA,TP,3.7x	
△ IC501	1201-001131	IC-VIDEO AMP;6111,SIP,9P,-,SINGLE,-,PLAS	H/SINK	RDW-GN	AA39-20009B	LEAD CONNECTOR-ASSY,-,YFH800-01,-,1P,300	
△ IC531	1201-001131	IC-VIDEO AMP;6111,SIP,9P,-,SINGLE,-,PLAS	H/SINK	SG351	4715-001036	SURGE ABSORBER;350V,20%,--,-,TP	
△ IC561	1201-001131	IC-VIDEO AMP;6111,SIP,9P,-,SINGLE,-,PLAS	H/SINK	SG501	4715-001036	SURGE ABSORBER;350V,20%,--,-,TP	
L501	2701-000114	INDUCTOR-AXIAL;10uH,10%,2.5x3.4mm		SG502	AA27-90001B	COIL-SPARK,GAP,S-23,1.5KV,--,-	
L531	2701-000114	INDUCTOR-AXIAL;10uH,10%,2.5x3.4mm		SG503	4715-001036	SURGE ABSORBER;350V,20%,--,-,TP	
L561	2701-000114	INDUCTOR-AXIAL;10uH,10%,2.5x3.4mm		SG532	AA27-90001B	COIL-SPARK,GAP,S-23,1.5KV,--,-	
PCB	AA41-10998B	PCB-CRT;KPM5A,1L,FR-1,330X245X1.6T,9A		SG533	4715-001036	SURGE ABSORBER;350V,20%,--,-,TP	
Q501	0502-000006	TR-POWER;KSC1507,NPN,15W,TO-220,TP,120-		SG561	4715-001036	SURGE ABSORBER;350V,20%,--,-,TP	
Q502	0501-000389	TR-SMALL SIGNAL;KSC815,NPN,400mW,TO-92,T		SG562	AA27-90001B	COIL-SPARK,GAP,S-23,1.5KV,--,-	
Q531	0502-000006	TR-POWER;KSC1507,NPN,15W,TO-220,TP,120-		SG563	4715-001036	SURGE ABSORBER;350V,20%,--,-,TP	
Q561	0502-000006	TR-POWER;KSC1507,NPN,15W,TO-220,TP,120-		V501	3704-001019	SOCKET-CRT;10P;29.1PI,35.5PI,AU30U	
R500	2001-000449	R-CARBON;2.2KOHM,5%,1/8W,AA,TP,1.8X3.2M		V531	3704-001019	SOCKET-CRT;10P;29.1PI,35.5PI,AU30U	
R501	2001-000302	R-CARBON;100OHM,5%,1/8W,AA,TP,1.8X3.2MM		V561	3704-001019	SOCKET-CRT;10P;29.1PI,35.5PI,AU30U	
R502	2001-001026	R-CARBON;910OHM,5%,1/8W,AA,TP,1.8X3.2MM					
R503	2001-000429	R-CARBON;1KOHM,5%,1/8W,AA,TP,1.8X3.2MM					
R506	2001-001088	R-CARBON(S);1KOHM,5%,1/2W,AA,TP,2.4X6.4M					
R507	2001-000429	R-CARBON;1KOHM,5%,1/8W,AA,TP,1.8X3.2MM					
R508	2003-000706	R-METAL OXIDE(S);47Kohm,5%,2W,AA,TP,4.3x					
R511	2001-000009	R-CARBON;20KOHM,5%,1/8W,AA,TP,1.8X3.2MM					
R513	2008-000252	R-FUSIBLE(S);0.47ohm,10%,1/2W,AF,TP,2.5x					
R514	2001-001122	R-CARBON(S);3.9KOHM,5%,1/2W,AA,TP,2.4X6.		CASES	AA63-40002A	SHIELD-CASE;F,-,SPT,TO 5,K1025,W72,-	
R515	2002-001017	R-COMPOSITION;1Kohm,10%,1/2W,AA,TP,3.7x9		CD101	2401-000471	C-AL;10uF,20%,50V,BPT,5x11.5mm	
R516	2001-000009	R-CARBON;20KOHM,5%,1/8W,AA,TP,1.8X3.2MM		CD102	2401-000471	C-AL;10uF,20%,50V,BPT,5x11.5mm	
R517	2001-000085	R-CARBON(S);100KOHM,5%,1/2W,AA,TP,2.4X6.		CD103	2203-000595	C-CERAMIC,CHIP;0.22nF,5%,50V,NPO,TP,2012	
R518	2002-001016	R-COMPOSITION;330Kohm,5%,1/2W,AA,TP,3.7x		CD104	2203-000595	C-CERAMIC,CHIP;0.22nF,5%,50V,NPO,TP,2012	
R519	2002-001016	R-COMPOSITION;330Kohm,5%,1/2W,AA,TP,3.7x		CD105	2401-000480	C-AL;10uF,20%,50V,GP,TP,5x11.5	
R520	2001-000066	R-CARBON(S);10KOHM,5%,1/2W,AA,TP,2.4X6.4		CD106	2401-000480	C-AL;10uF,20%,50V,GP,TP,5x11.5	
R521	2001-001052	R-CARBON(S);1.5MOHM,5%,1/2W,AA,TP,2.4X6.		CD107	2401-000027	C-AL;4.7uF,20%,50V,GP,TP,5x11.5	
R522	2002-001006	R-COMPOSITION;4.7Kohm,5%,1/2W,AA,TP,3.7x		CD108	2401-000027	C-AL;4.7uF,20%,50V,GP,TP,5x11.5	
R523	2002-001006	R-COMPOSITION;4.7Kohm,5%,1/2W,AA,TP,3.7x		CD109	2203-000609	C-CERAMIC,CHIP;22nF,10%,50V,X7R,TP,2012	
R524	2001-000028	R-CARBON(S);100OHM,5%,1/2W,AA,TP,2.4X6.4		CD110	2401-002144	C-AL;47uF,20%,16V,GP,TP,5x11.5	
R526	2001-000539	R-CARBON;24KOHM,5%,1/8W,AA,TP,1.8X3.2MM		CD111	2203-000979	C-CERAMIC,CHIP;47nF,10%,50V,X7R,TP,2012	
R527	2001-000577	R-CARBON;2KOHM,5%,1/8W,AA,TP,1.8X3.2MM		CD112	2203-001158	C-CERAMIC,CHIP;0.068nF,5%,50V,NPO,TP,201	
R528	2001-001015	R-CARBON;9.1KOHM,5%,1/8W,AA,TP,1.8X3.2M		CD113	2401-002144	C-AL;47uF,20%,16V,GP,TP,5x11.5	
R529	2002-001016	R-COMPOSITION;330Kohm,5%,1/2W,AA,TP,3.7x		CD114	2203-000979	C-CERAMIC,CHIP;47nF,10%,50V,X7R,TP,2012	
R531	2001-000302	R-CARBON;100OHM,5%,1/8W,AA,TP,1.8X3.2MM		CD115	2203-001158	C-CERAMIC,CHIP;0.068nF,5%,50V,NPO,TP,201	
R532	2001-000995	R-CARBON;820OHM,5%,1/8W,AA,TP,1.8X3.2MM		CD116	2401-002144	C-AL;47uF,20%,16V,GP,TP,5x11.5	
R533	2001-000429	R-CARBON;1KOHM,5%,1/8W,AA,TP,1.8X3.2MM		CD117	2203-000979	C-CERAMIC,CHIP;47nF,10%,50V,X7R,TP,2012	
R536	2001-001088	R-CARBON(S);1KOHM,5%,1/2W,AA,TP,2.4X6.4M		CD118	2401-000603	C-AL;1uF,20%,50V,GP,TP,5x11.5	
R537	2001-000429	R-CARBON;1KOHM,5%,1/8W,AA,TP,1.8X3.2MM		CD119	2203-000218	C-CERAMIC,CHIP;100nF,20%,50V,Y5V,TP,2012	
R538	2003-000706	R-METAL OXIDE(S);47Kohm,5%,2W,AA,TP,4.3x		CD120	2305-000149	C-FILM,MPEF;100nF,5%,100V,TP,12x12.5x6.5	
R540	2001-001000	R-CARBON;82KOHM,5%,1/8W,AA,TP,1.8X3.2MM		CD121	2203-000260	C-CERAMIC,CHIP;10nF,10%,50V,X7R,TP,2012	
R541	2001-000009	R-CARBON;20KOHM,5%,1/8W,AA,TP,1.8X3.2MM		CD122	2203-000218	C-CERAMIC,CHIP;100nF,20%,50V,Y5V,TP,2012	
R543	2008-000252	R-FUSIBLE(S);0.47ohm,10%,1/2W,AF,TP,2.5x		CD123	2401-000242	C-AL;100uF,20%,10V,GP,TP,5x11.5	
R544	2001-001122	R-CARBON(S);3.9KOHM,5%,1/2W,AA,TP,2.4X6.		CD124	2203-000260	C-CERAMIC,CHIP;10nF,10%,50V,X7R,TP,2012	
R545	2002-001017	R-COMPOSITION;1Kohm,10%,1/2W,AA,TP,3.7x9		CD125	2203-000260	C-CERAMIC,CHIP;10nF,10%,50V,X7R,TP,2012	
R546	2001-000009	R-CARBON;20KOHM,5%,1/8W,AA,TP,1.8X3.2MM		CD126	2203-000260	C-CERAMIC,CHIP;10nF,10%,50V,X7R,TP,2012	
R547	2001-000085	R-CARBON(S);100KOHM,5%,1/2W,AA,TP,2.4X6.		CD127	2203-000218	C-CERAMIC,CHIP;100nF,20%,50V,Y5V,TP,2012	
R548	2002-001016	R-COMPOSITION;330Kohm,5%,1/2W,AA,TP,3.7x		CD128	2203-000260	C-CERAMIC,CHIP;10nF,10%,50V,X7R,TP,2012	
R549	2002-001016	R-COMPOSITION;330Kohm,5%,1/2W,AA,TP,3.7x		CD129	2203-000260	C-CERAMIC,CHIP;10nF,10%,50V,X7R,TP,2012	

ASSY-SURROUND

*AA95-90022G ASSY-SURROUND,-,ALL,ALL,NTSC,PAL,-,3D-PTH

CASES	AA63-40002A	SHIELD-CASE;F,-,SPT,TO 5,K1025,W72,-
CD101	2401-000471	C-AL;10uF,20%,50V,BPT,5x11.5mm
CD102	2401-000471	C-AL;10uF,20%,50V,BPT,5x11.5mm
CD103	2203-000595	C-CERAMIC,CHIP;0.22nF,5%,50V,NPO,TP,2012
CD104	2203-000595	C-CERAMIC,CHIP;0.22nF,5%,50V,NPO,TP,2012
CD105	2401-000480	C-AL;10uF,20%,50V,GP,TP,5x11.5
CD106	2401-000480	C-AL;10uF,20%,50V,GP,TP,5x11.5
CD107	2401-000027	C-AL;4.7uF,20%,50V,GP,TP,5x11.5
CD108	2401-000027	C-AL;4.7uF,20%,50V,GP,TP,5x11.5
CD109	2203-000609	C-CERAMIC,CHIP;22nF,10%,50V,X7R,TP,2012
CD110	2401-002144	C-AL;47uF,20%,16V,GP,TP,5x11.5
CD111	2203-000979	C-CERAMIC,CHIP;47nF,10%,50V,X7R,TP,2012
CD112	2203-001158	C-CERAMIC,CHIP;0.068nF,5%,50V,NPO,TP,201
CD113	2401-002144	C-AL;47uF,20%,16V,GP,TP,5x11.5
CD114	2203-000979	C-CERAMIC,CHIP;47nF,10%,50V,X7R,TP,2012
CD115	2203-001158	C-CERAMIC,CHIP;0.068nF,5%,50V,NPO,TP,201
CD116	2401-002144	C-AL;47uF,20%,16V,GP,TP,5x11.5
CD117	2203-000979	C-CERAMIC,CHIP;47nF,10%,50V,X7R,TP,2012
CD118	2401-000603	C-AL;1uF,20%,50V,GP,TP,5x11.5
CD119	2203-000218	C-CERAMIC,CHIP;100nF,20%,50V,Y5V,TP,2012
CD120	2305-000149	C-FILM,MPEF;100nF,5%,100V,TP,12x12.5x6.5
CD121	2203-000260	C-CERAMIC,CHIP;10nF,10%,50V,X7R,TP,2012
CD122	2203-000218	C-CERAMIC,CHIP;100nF,20%,50V,Y5V,TP,2012
CD123	2401-000242	C-AL;100uF,20%,10V,GP,TP,5x11.5
CD124	2203-000260	C-CERAMIC,CHIP;10nF,10%,50V,X7R,TP,2012
CD125	2203-000260	C-CERAMIC,CHIP;10nF,10%,50V,X7R,TP,2012
CD126	2203-000260	C-CERAMIC,CHIP;10nF,10%,50V,X7R,TP,2012
CD127	2203-000218	C-CERAMIC,CHIP;100nF,20%,50V,Y5V,TP,2012
CD128	2203-000260	C-CERAMIC,CHIP;10nF,10%,50V,X7R,TP,2012
CD129	2203-000260	C

Loc. No.	Code No.	Description ; Specification	Remark	Loc. No.	Code No.	Description ; Specification	Remark
CD130	2203-000260	C-CERAMIC,CHIP;10nF,10%,50V,X7R,TP,2012		PCB	AA41-10842B	PCB-3D PHONIC MODULE;KCT56A,2L,FR-4,180X	
CD131	2203-000260	C-CERAMIC,CHIP;10nF,10%,50V,X7R,TP,2012		RD101	2007-000766	R-CHIP;330OHM,5%,1/10W,DA,TP,2012	
CD132	2203-000260	C-CERAMIC,CHIP;10nF,10%,50V,X7R,TP,2012		RD102	2007-000766	R-CHIP;330OHM,5%,1/10W,DA,TP,2012	
CD133	2401-000242	C-AL;100uF,20%,10V,GP,TP,5x11,5		RD105	2007-000282	R-CHIP;100KOHM,5%,1/10W,DA,TP,2012	
CD134	2203-000218	C-CERAMIC,CHIP;100nF,20%,50V,Y5V,TP,2012		RD106	2007-000282	R-CHIP;100KOHM,5%,1/10W,DA,TP,2012	
CD135	2401-000480	C-AL;10uF,20%,50V,GP,TP,5x11,5		RD107	2007-000282	R-CHIP;100KOHM,5%,1/10W,DA,TP,2012	
CD136	2203-000218	C-CERAMIC,CHIP;100nF,20%,50V,Y5V,TP,2012		RD108	2007-000282	R-CHIP;100KOHM,5%,1/10W,DA,TP,2012	
CD137	2401-000242	C-AL;100uF,20%,10V,GP,TP,5x11,5		RD109	2007-000686	R-CHIP;3.3KOHM,5%,1/10W,DA,TP,2012	
CD138	2401-000480	C-AL;10uF,20%,50V,GP,TP,5x11,5		RD110	2007-000686	R-CHIP;3.3KOHM,5%,1/10W,DA,TP,2012	
CD139	2401-000242	C-AL;100uF,20%,10V,GP,TP,5x11,5		RD111	2007-000703	R-CHIP;3.6KOHM,5%,1/10W,DA,TP,2012	
CD140	2203-000218	C-CERAMIC,CHIP;100nF,20%,50V,Y5V,TP,2012		RD112	2007-000703	R-CHIP;3.6KOHM,5%,1/10W,DA,TP,2012	
CD141	2401-000480	C-AL;10uF,20%,50V,GP,TP,5x11,5		RD113	2007-000300	R-CHIP;10KOHM,5%,1/10W,DA,TP,2012	
CD142	2401-000242	C-AL;100uF,20%,10V,GP,TP,5x11,5		RD114	2007-000300	R-CHIP;10KOHM,5%,1/10W,DA,TP,2012	
CD143	2203-000218	C-CERAMIC,CHIP;100nF,20%,50V,Y5V,TP,2012		RD115	2007-000757	R-CHIP;330KOHM,5%,1/10W,DA,TP,2012	
CD144	2401-000480	C-AL;10uF,20%,50V,GP,TP,5x11,5		RD116	2007-000757	R-CHIP;330KOHM,5%,1/10W,DA,TP,2012	
CD145	2203-000335	C-CERAMIC,CHIP;0.012nF,5%,50V,NPO,TP,201		RD117	2007-000774	R-CHIP;33KOHM,5%,1/10W,DA,TP,2012	
CD146	2203-000335	C-CERAMIC,CHIP;0.012nF,5%,50V,NPO,TP,201		RD118	2007-000300	R-CHIP;10KOHM,5%,1/10W,DA,TP,2012	
CD147	2203-000609	C-CERAMIC,CHIP;22nF,10%,50V,X7R,TP,2012		RD119	2007-000642	R-CHIP;270OHM,5%,1/10W,DA,TP,2012	
CD148	2203-000495	C-CERAMIC,CHIP;2.2nF,10%,50V,X7R,TP,2012		RD120	2007-000642	R-CHIP;270OHM,5%,1/10W,DA,TP,2012	
CD149	2401-000603	C-AL;1uF,20%,50V,GP,TP,5x11,5		RD121	2007-000300	R-CHIP;10KOHM,5%,1/10W,DA,TP,2012	
CD150	2203-000260	C-CERAMIC,CHIP;10nF,10%,50V,X7R,TP,2012		RD122	2007-000468	R-CHIP;1KOHM,5%,1/10W,DA,TP,2012	
CD151	2203-000609	C-CERAMIC,CHIP;22nF,10%,50V,X7R,TP,2012		RD123	2007-000872	R-CHIP;4.7KOHM,5%,1/10W,DA,TP,2012	
CD152	2203-000495	C-CERAMIC,CHIP;2.2nF,10%,50V,X7R,TP,2012		RD124	2007-000468	R-CHIP;1KOHM,5%,1/10W,DA,TP,2012	
CD153	2401-000603	C-AL;1uF,20%,50V,GP,TP,5x11,5		RD125	2007-000468	R-CHIP;1KOHM,5%,1/10W,DA,TP,2012	
CD154	2203-000218	C-CERAMIC,CHIP;100nF,20%,50V,Y5V,TP,2012		RD126	2007-000468	R-CHIP;1KOHM,5%,1/10W,DA,TP,2012	
CD155	2203-000260	C-CERAMIC,CHIP;10nF,10%,50V,X7R,TP,2012		RD127	2007-000872	R-CHIP;4.7KOHM,5%,1/10W,DA,TP,2012	
CD156	2203-000609	C-CERAMIC,CHIP;22nF,10%,50V,X7R,TP,2012		RD128	2007-000872	R-CHIP;4.7KOHM,5%,1/10W,DA,TP,2012	
CD157	2203-000495	C-CERAMIC,CHIP;2.2nF,10%,50V,X7R,TP,2012		RD129	2007-000267	R-CHIP;1.8KOHM,5%,1/10W,DA,TP,2012	
CD158	2401-000603	C-AL;1uF,20%,50V,GP,TP,5x11,5		RD132	2007-000468	R-CHIP;1KOHM,5%,1/10W,DA,TP,2012	
CD159	2203-000260	C-CERAMIC,CHIP;10nF,10%,50V,X7R,TP,2012		RD133	2007-000468	R-CHIP;1KOHM,5%,1/10W,DA,TP,2012	
CD160	2203-000609	C-CERAMIC,CHIP;22nF,10%,50V,X7R,TP,2012		RD134	2007-000941	R-CHIP;47KOHM,5%,1/10W,DA,TP,2012	
CD161	2203-000495	C-CERAMIC,CHIP;2.2nF,10%,50V,X7R,TP,2012		RD135	2007-000468	R-CHIP;1KOHM,5%,1/10W,DA,TP,2012	
CD162	2401-000603	C-AL;1uF,20%,50V,GP,TP,5x11,5		RD136	2007-000468	R-CHIP;1KOHM,5%,1/10W,DA,TP,2012	
CD163	2203-000218	C-CERAMIC,CHIP;100nF,20%,50V,Y5V,TP,2012		RD137	2007-000468	R-CHIP;1KOHM,5%,1/10W,DA,TP,2012	
CD164	2203-000260	C-CERAMIC,CHIP;10nF,10%,50V,X7R,TP,2012		RD138	2007-000941	R-CHIP;47KOHM,5%,1/10W,DA,TP,2012	
CD165	2401-000480	C-AL;10uF,20%,50V,GP,TP,5x11,5		RD139	2007-000468	R-CHIP;1KOHM,5%,1/10W,DA,TP,2012	
CD166	2401-000471	C-AL;10uF,20%,50V,BPT,5x11,5mm		RD140	2007-000468	R-CHIP;1KOHM,5%,1/10W,DA,TP,2012	
CD167	2401-000027	C-AL;4.7uF,20%,50V,GP,TP,5x11,5		RD141	2007-000468	R-CHIP;1KOHM,5%,1/10W,DA,TP,2012	
CD168	2401-000471	C-AL;10uF,20%,50V,BPT,5x11,5mm		RD142	2007-000941	R-CHIP;47KOHM,5%,1/10W,DA,TP,2012	
CD169	2401-000480	C-AL;10uF,20%,50V,GP,TP,5x11,5		RD143	2007-000468	R-CHIP;1KOHM,5%,1/10W,DA,TP,2012	
CD170	2401-000027	C-AL;4.7uF,20%,50V,GP,TP,5x11,5		RD144	2007-000468	R-CHIP;1KOHM,5%,1/10W,DA,TP,2012	
CD171	2401-000027	C-AL;4.7uF,20%,50V,GP,TP,5x11,5		RD145	2007-000468	R-CHIP;1KOHM,5%,1/10W,DA,TP,2012	
CD172	2401-000480	C-AL;10uF,20%,50V,GP,TP,5x11,5		RD146	2007-000941	R-CHIP;47KOHM,5%,1/10W,DA,TP,2012	
CD173	2401-000471	C-AL;10uF,20%,50V,BPT,5x11,5mm		RD147	2007-000468	R-CHIP;1KOHM,5%,1/10W,DA,TP,2012	
CD174	2401-000480	C-AL;10uF,20%,50V,GP,TP,5x11,5		RD148	2007-000282	R-CHIP;100KOHM,5%,1/10W,DA,TP,2012	
CD175	2401-000480	C-AL;10uF,20%,50V,GP,TP,5x11,5		RD149	2007-000518	R-CHIP;2.7KOHM,5%,1/10W,DA,TP,2012	
CD176	2401-000027	C-AL;4.7uF,20%,50V,GP,TP,5x11,5		RD150	2007-000328	R-CHIP;11KOHM,5%,1/10W,DA,TP,2012	
CD177	2401-001840	C-AL;100uF,20%,18V,GP,TP,6.3x11,5		RD151	2007-000300	R-CHIP;10KOHM,5%,1/10W,DA,TP,2012	
CD178	2401-000242	C-AL;100uF,20%,10V,GP,TP,5x11,5		RD152	2007-000518	R-CHIP;2.7KOHM,5%,1/10W,DA,TP,2012	
CD179	2203-000260	C-CERAMIC,CHIP;10nF,10%,50V,X7R,TP,2012		RD153	2007-000518	R-CHIP;2.7KOHM,5%,1/10W,DA,TP,2012	
CD180	2203-000218	C-CERAMIC,CHIP;100nF,20%,50V,Y5V,TP,2012		RD154	2007-000300	R-CHIP;10KOHM,5%,1/10W,DA,TP,2012	
CD181	2401-000242	C-AL;100uF,20%,10V,GP,TP,5x11,5		RD155	2007-000282	R-CHIP;100KOHM,5%,1/10W,DA,TP,2012	
CD182	2203-000274	C-CERAMIC,CHIP;0.01nF,0.25pF,50V,NPO,TP,		RD156	2007-000282	R-CHIP;100KOHM,5%,1/10W,DA,TP,2012	
CD183	2203-000274	C-CERAMIC,CHIP;0.01nF,0.25pF,50V,NPO,TP,		RD157	2007-000300	R-CHIP;10KOHM,5%,1/10W,DA,TP,2012	
CD184	2203-000218	C-CERAMIC,CHIP;100nF,20%,50V,Y5V,TP,2012		RD158	2007-000518	R-CHIP;2.7KOHM,5%,1/10W,DA,TP,2012	
CD185	2401-000242	C-AL;100uF,20%,10V,GP,TP,5x11,5		RD159	2007-000282	R-CHIP;100KOHM,5%,1/10W,DA,TP,2012	
CD186	2401-000242	C-AL;100uF,20%,10V,GP,TP,5x11,5		RD160	2007-000300	R-CHIP;10KOHM,5%,1/10W,DA,TP,2012	
CD187	2203-000218	C-CERAMIC,CHIP;100nF,20%,50V,Y5V,TP,2012		RD161	2007-000300	R-CHIP;10KOHM,5%,1/10W,DA,TP,2012	
CND01	3711-002706	CONNECTOR-HEADER;NOWALL,8P,1R,2.5mm,ANGL		RD162	2007-000290	R-CHIP;100OHM,5%,1/10W,DA,TP,2012	
CND02	3711-002707	CONNECTOR-HEADER;NOWALL,9P,1R,2.5mm,ANGL		RD163	2007-000290	R-CHIP;100OHM,5%,1/10W,DA,TP,2012	
△ICD101	1201-000541	IC-OP AMP;062,SOP,8P;153MIL,DUAL,6V/mV,P		RD164	2007-000290	R-CHIP;100OHM,5%,1/10W,DA,TP,2012	
△ICD102	1002-001054	IC-A/D CONVERTER;SAA7387,1BIT,SOJ,24P,30		RD165	2007-000290	R-CHIP;100OHM,5%,1/10W,DA,TP,2012	
△ICD103	0904-001129	IC-DSP;57052,8BIT,QFP,100P,-,25MHz,TR		RD166	2007-000029	R-CHIP;0OHM,5%,1/10W,DA,TP,2012	
△ICD104	1105-001101	IC-DRAM;32464,64Kx4BIT,SOP,24P;375MIL,		RD167	2007-000029	R-CHIP;0OHM,5%,1/10W,DA,TP,2012	
△ICD105	AA13-30018E	IC-MCU;Z90211-R3538,SZM-310,ST,16Kx8,		XD101	2801-003452	CRYSTAL-UNIT;11.2896MHz,30ppm,28-AAM,10p	
△ICD106	1002-001026	IC-D/A CONVERTER;PCM1717E,18BIT,SOP,20P,		XD102	2801-000724	CRYSTAL-UNIT;6MHz,50ppm,28-AAM,20pF,40oh	
△ICD107	1002-001026	IC-D/A CONVERTER;PCM1717E,18BIT,SOP,20P,					
△ICD108	1201-000541	IC-OP AMP;062,SOP,8P;153MIL,DUAL,6V/mV,P					
△ICD109	1201-000541	IC-OP AMP;062,SOP,8P;153MIL,DUAL,6V/mV,P					
△ICD110	1201-000541	IC-OP AMP;062,SOP,8P;153MIL,DUAL,6V/mV,P					
△ICD111	1201-000541	IC-OP AMP;062,SOP,8P;153MIL,DUAL,6V/mV,P					
LD103	2901-000297	FILTER-EMI ON BOARD;-3A,-,-3.5x5,TP,-					
LD107	2901-000294	FILTER-EMI SMD;25V,200mA,-					
LD108	2901-000294	FILTER-EMI SMD;25V,200mA,-					
LD109	2901-000294	FILTER-EMI SMD;25V,200mA,-					
LD115	2901-000294	FILTER-EMI SMD;25V,200mA,-					
LD123	2901-000297	FILTER-EMI ON BOARD;-3A,-,-3.5x5,TP,-					
				PCB	AA41-10842B	PCB-3D PHONIC MODULE;KCT56A,2L,FR-4,180X	
				RD101	2007-000766	R-CHIP;330OHM,5%,1/10W,DA,TP,2012	
				RD102	2007-000766	R-CHIP;330OHM,5%,1/10W,DA,TP,2012	
				RD105	2007-000282	R-CHIP;100KOHM,5%,1/10W,DA,TP,2012	
				RD106	2007-000282	R-CHIP;100KOHM,5%,1/10W,DA,TP,2012	
				RD107	2007-000282	R-CHIP;100KOHM,5%,1/10W,DA,TP,2012	
				RD108	2007-000282	R-CHIP;100KOHM,5%,1/10W,DA,TP,2012	
				RD109	2007-000686	R-CHIP;3.3KOHM,5%,1/10W,DA,TP,2012	
				RD110	2007-000686	R-CHIP;3.3KOHM,5%,1/10W,DA,TP,2012	
				RD111	2007-000703	R-CHIP;3.6KOHM,5%,1/10W,DA,TP,2012	
				RD112	2007-000703	R-CHIP;3.6KOHM,5%,1/10W,DA,TP,2012	
				RD113	2007-000300	R-CHIP;10KOHM,5%,1/10W,DA,TP,2012	
				RD114	2007-000300	R-CHIP;10KOHM,5%,1/10W,DA,TP,2012	
				RD115	2007-000757	R-CHIP;330KOHM,5%,1/10W,DA,TP,2012	
				RD116	2007-000757	R-CHIP;330KOHM,5%,1/10W,DA,TP,2012	
				RD117	2007-000774	R-CHIP;33KOHM,5%,1/10W,DA,TP,2012	
				RD118	2007-000300	R-CHIP;10KOHM,5%,1/10W,DA,TP,2012	
				RD119	2007-000642	R-CHIP;270OHM,5%,1/10W,DA,TP,2012	
				RD120	2007-000642	R-CHIP;270OHM,5%,1/10W,DA,TP,2012	
				RD121	2007-000300	R-CHIP;10KOHM,5%,1/10W,DA,TP,2012	
				RD122	2007-000468	R-CHIP;1KOHM,5%,1/10W,DA,TP,2012	
				RD123	2007-000872	R-CHIP;4.7KOHM,5%,1/10W,DA,TP,2012	
				RD124	2007-000468	R-CHIP;1KOHM,5%,1/10W,DA,TP,2012	
				RD125	2007-000468	R-CHIP;1KOHM,5%,1/10W,DA,TP,2012	
				RD126	2007-000468	R-CHIP;1KOHM,5%,1/10W,DA,TP,2012	
				RD127	2007-000872	R-CHIP;4.7KOHM,5%,1/10W,DA,TP,2012	
				RD1			

Loc. No.	Code No.	Description : Specification	Remark
ASSY-PCB, TERMINAL			
		*AA95-00305BASSY-PCB, TERMINAL: -.PCJ552WX/XAA,P51A,-.	
△ ICV02	0801-000961	IC-CMOS LOGIC, 4053, MULTIPLEXER, DIP, 16P, 30	
△ ICV03	0801-000961	IC-CMOS LOGIC, 4053, MULTIPLEXER, DIP, 16P, 30	
C601	2401-000480	C-AL; 10uF, 20%, 50V, GP, TP, 5x11, 5	
C602	2301-000224	C-FILM, PEF, 22nF, 5%, 50V, TP, 7.4x3.9x13mm, 5	
C603	2301-000224	C-FILM, PEF, 22nF, 5%, 50V, TP, 7.4x3.9x13mm, 5	
C604	2301-000445	C-FILM, PEF, 4.7nF, 5%, 50V, TP, 5.5x7x3mm, 5mm	
C605	2305-000665	C-FILM, MPEF, 100nF, 5%, 63V, TP, 7.5x4.0x5.0mm	
C606	2301-000104	C-FILM, PEF, 1.2nF, 5%, 50V, TP, 6.5x3.0x5.5mm	
C607	2301-000289	C-FILM, PEF, 5.6nF, 5%, 50V, TP, 7x6x3, 5	
C608	2305-001023	C-FILM, MPEF, 680nF, 10%, 63V, TP, 7.5x5.5x14.	
C609	2401-000647	C-AL; 2.2uF, 20%, 50V, BP, TP, 5x11, 5	
C610	2401-001989	C-AL; 4.7uF, 20%, 50V, BP, TP, 5x11, 5	
C611	2401-001989	C-AL; 4.7uF, 20%, 50V, BP, TP, 5x11, 5	
C612	2305-000665	C-FILM, MPEF, 100nF, 5%, 63V, TP, 7.5x4.0x5.0mm	
C613	2305-000665	C-FILM, MPEF, 100nF, 5%, 63V, TP, 7.5x4.0x5.0mm	
C614	2401-000360	C-AL; 100uF, 20%, 50V, GP, TP, 8x11, 5, 5	
C615	2305-000665	C-FILM, MPEF, 100nF, 5%, 63V, TP, 7.5x4.0x5.0mm	
C616	2305-000665	C-FILM, MPEF, 100nF, 5%, 63V, TP, 7.5x4.0x5.0mm	
C617	2301-000224	C-FILM, PEF, 22nF, 5%, 50V, TP, 7.4x3.9x13mm, 5	
C618	2301-000395	C-FILM, PEF, 18nF, 5%, 50V, TP, 6.5x12.5x3.5mm	
C619	2301-000224	C-FILM, PEF, 22nF, 5%, 50V, TP, 7.4x3.9x13mm, 5	
C620	2301-000395	C-FILM, PEF, 18nF, 5%, 50V, TP, 6.5x12.5x3.5mm	
C621	2301-000289	C-FILM, PEF, 5.6nF, 5%, 50V, TP, 7x6x3, 5	
C622	2301-000289	C-FILM, PEF, 5.6nF, 5%, 50V, TP, 7x6x3, 5	
C623	2401-000480	C-AL; 10uF, 20%, 50V, GP, TP, 5x11, 5	
C624	2401-000480	C-AL; 10uF, 20%, 50V, GP, TP, 5x11, 5	
C625	2401-000027	C-AL; 4.7uF, 20%, 50V, GP, TP, 5x11, 5	
C626	2401-000027	C-AL; 4.7uF, 20%, 50V, GP, TP, 5x11, 5	
C627	2401-001989	C-AL; 4.7uF, 20%, 50V, BP, TP, 5x11, 5	
C628	2401-001989	C-AL; 4.7uF, 20%, 50V, BP, TP, 5x11, 5	
C629	2305-000289	C-FILM, MPEF, 220nF, 5%, 63V, TP, -.5mm	
C630	2401-000480	C-AL; 10uF, 20%, 50V, GP, TP, 5x11, 5	
C631	2305-000665	C-FILM, MPEF, 100nF, 5%, 63V, TP, 7.5x4.0x5.0mm	
C632	2401-001363	C-AL; 470uF, 20%, 16V, GP, TP, 10x12.5, 5	
C633	2301-000383	C-FILM, PEF, 10nF, 5%, 50V, TP, 6x7x3.2mm, 5mm	
C634	2401-000480	C-AL; 10uF, 20%, 50V, GP, TP, 5x11, 5	
C635	2401-000480	C-AL; 10uF, 20%, 50V, GP, TP, 5x11, 5	
C636	2401-000480	C-AL; 10uF, 20%, 50V, GP, TP, 5x11, 5	
C637	2401-000480	C-AL; 10uF, 20%, 50V, GP, TP, 5x11, 5	
C638	2301-000383	C-FILM, PEF, 10nF, 5%, 50V, TP, 6x7x3.2mm, 5mm	
C701	2401-000455	C-AL; 10UF, 20%, 35V, GP, TP, 4X7mm, 5mm	
C702	2401-000455	C-AL; 10UF, 20%, 35V, GP, TP, 4X7mm, 5mm	
C703	2401-000455	C-AL; 10UF, 20%, 35V, GP, TP, 4X7mm, 5mm	
C704	2401-002594	C-AL; 220uF, 20%, 16V, GP, TP, 8x11, 5, 5	
C705	2401-002594	C-AL; 220uF, 20%, 16V, GP, TP, 8x11, 5, 5	
C706	2401-002594	C-AL; 220uF, 20%, 16V, GP, TP, 8x11, 5, 5	
C707	2401-002144	C-AL; 47uF, 20%, 16V, GP, TP, 5x11, 5	
C930	2401-000455	C-AL; 10UF, 20%, 35V, GP, TP, 4X7mm, 5mm	
C931	2201-000982	C-CERAMIC, DISC; 10nF, +80-20%, 50V, Y5V, TP, 6	
C932	2201-000292	C-CERAMIC, DISC; 1nF, 10%, 50V, Y5P, TP, 5x3, 5	
CLAMPW	AA65-30105B	CLAMP-WIRE, NYLON 66, V2, NTR, 25MM, ALL MODE	
CNT01	3711-003630	CONNECTOR-HEADER; BOX, 32P, 2R, 2.54mm, ANGLE	
CNT02	3711-003630	CONNECTOR-HEADER; BOX, 32P, 2R, 2.54mm, ANGLE	
CNY02	3711-003601	CONNECTOR-HEADER; BOX, 12P, 1R, 2.5mm, ANGLE,	
CNY03	AA39-20052D	LEAD CONNECTOR-ASSY.; YBNH025-04, YSH025-	
CV01	2401-002009	C-AL; 100uF, 20%, 16V, GP, TP, 6.3x7, 5	
CV02	2201-000982	C-CERAMIC, DISC; 10nF, +80-20%, 50V, Y5V, TP, 6	
CV03	2401-001363	C-AL; 470uF, 20%, 16V, GP, TP, 10x12.5, 5	
CV04	2401-000480	C-AL; 10uF, 20%, 50V, GP, TP, 5x11, 5	
CV05	2401-000480	C-AL; 10uF, 20%, 50V, GP, TP, 5x11, 5	
CV06	2401-000480	C-AL; 10uF, 20%, 50V, GP, TP, 5x11, 5	
CV07	2401-000480	C-AL; 10uF, 20%, 50V, GP, TP, 5x11, 5	
CV08	2401-000480	C-AL; 10uF, 20%, 50V, GP, TP, 5x11, 5	
CV09	2401-000480	C-AL; 10uF, 20%, 50V, GP, TP, 5x11, 5	
CV10	2401-000480	C-AL; 10uF, 20%, 50V, GP, TP, 5x11, 5	
CV11	2401-000480	C-AL; 10uF, 20%, 50V, GP, TP, 5x11, 5	
CV12	2401-000480	C-AL; 10uF, 20%, 50V, GP, TP, 5x11, 5	
CV13	2401-000480	C-AL; 10uF, 20%, 50V, GP, TP, 5x11, 5	
CV14	2401-000480	C-AL; 10uF, 20%, 50V, GP, TP, 5x11, 5	
CV15	2401-000480	C-AL; 10uF, 20%, 50V, GP, TP, 5x11, 5	
CV16	2401-000480	C-AL; 10uF, 20%, 50V, GP, TP, 5x11, 5	
CV17	2401-000480	C-AL; 10uF, 20%, 50V, GP, TP, 5x11, 5	

Loc. No.	Code No.	Description : Specification	Remark
CV18	2401-000480	C-AL; 10uF, 20%, 50V, GP, TP, 5x11, 5	
CV19	2401-001840	C-AL; 100uF, 20%, 16V, GP, TP, 6.3x11, 5	
CV20	2201-000180	C-CERAMIC, DISC; 10nF, 10%, 50V, Y5V, TP, 6.5*3	
CV21	2401-000480	C-AL; 10uF, 20%, 50V, GP, TP, 5x11, 5	
CV22	2401-000480	C-AL; 10uF, 20%, 50V, GP, TP, 5x11, 5	
CV23	2401-000480	C-AL; 10uF, 20%, 50V, GP, TP, 5x11, 5	
CV24	2401-000480	C-AL; 10uF, 20%, 50V, GP, TP, 5x11, 5	
CV25	2401-000480	C-AL; 10uF, 20%, 50V, GP, TP, 5x11, 5	
CV26	2401-000480	C-AL; 10uF, 20%, 50V, GP, TP, 5x11, 5	
CV27	2201-000144	C-CERAMIC, DISC; 100pF, 5%, 50V, CH, TP, 8x3, 5	
CV28	2201-000144	C-CERAMIC, DISC; 100pF, 5%, 50V, CH, TP, 8x3, 5	
CV29	2401-000027	C-AL; 4.7uF, 20%, 50V, GP, TP, 5x11, 5	
CV31	2401-000471	C-AL; 10uF, 20%, 50V, BP, TP, 5x11, 5mm	
CV32	2401-000480	C-AL; 10uF, 20%, 50V, GP, TP, 5x11, 5	
CV33	2401-000471	C-AL; 10uF, 20%, 50V, BP, TP, 5x11, 5mm	
CV34	2401-000480	C-AL; 10uF, 20%, 50V, GP, TP, 5x11, 5	
CV35	2401-000480	C-AL; 10uF, 20%, 50V, GP, TP, 5x11, 5	
CV36	2401-000480	C-AL; 10uF, 20%, 50V, GP, TP, 5x11, 5	
CV37	2401-000480	C-AL; 10uF, 20%, 50V, GP, TP, 5x11, 5	
CV38	2401-000480	C-AL; 10uF, 20%, 50V, GP, TP, 5x11, 5	
CV39	2401-000480	C-AL; 10uF, 20%, 50V, GP, TP, 5x11, 5	
CV40	2401-000455	C-AL; 10UF, 20%, 35V, GP, TP, 4X7mm, 5mm	
CV41	2401-000455	C-AL; 10UF, 20%, 35V, GP, TP, 4X7mm, 5mm	
CV42	2201-000982	C-CERAMIC, DISC; 10nF, +80-20%, 50V, Y5V, TP, 6	
CV49	2401-002144	C-AL; 47uF, 20%, 16V, GP, TP, 5x11, 5	
CV50	2401-000471	C-AL; 10uF, 20%, 50V, BP, TP, 5x11, 5mm	
CV51	2401-000471	C-AL; 10uF, 20%, 50V, BP, TP, 5x11, 5mm	
DZ603	0403-000701	DIODE-ZENER; TZP5.1A, 5.1V, 4.8-5.1V, 1W, DO-	
DZV01	0403-000563	DIODE-ZENER; MTZ9.1B, 9.1V, 8.57-9.01V, 500m	
DZV04	0403-000563	DIODE-ZENER; MTZ9.1B, 9.1V, 8.57-9.01V, 500m	
DZV07	0403-000563	DIODE-ZENER; MTZ9.1B, 9.1V, 8.57-9.01V, 500m	
DZV09	0403-000563	DIODE-ZENER; MTZ9.1B, 9.1V, 8.57-9.01V, 500m	
DZV11	0403-000563	DIODE-ZENER; MTZ9.1B, 9.1V, 8.57-9.01V, 500m	
DZV13	0403-000563	DIODE-ZENER; MTZ9.1B, 9.1V, 8.57-9.01V, 500m	
DZV15	0403-000563	DIODE-ZENER; MTZ9.1B, 9.1V, 8.57-9.01V, 500m	
DZV17	0403-000563	DIODE-ZENER; MTZ9.1B, 9.1V, 8.57-9.01V, 500m	
DZV19	0403-000563	DIODE-ZENER; MTZ9.1B, 9.1V, 8.57-9.01V, 500m	
DZV20	0403-000563	DIODE-ZENER; MTZ9.1B, 9.1V, 8.57-9.01V, 500m	
DZV21	0403-000563	DIODE-ZENER; MTZ9.1B, 9.1V, 8.57-9.01V, 500m	
DZV22	0403-000563	DIODE-ZENER; MTZ9.1B, 9.1V, 8.57-9.01V, 500m	
DZV23	0403-000563	DIODE-ZENER; MTZ9.1B, 9.1V, 8.57-9.01V, 500m	
DZV24	0403-000563	DIODE-ZENER; MTZ9.1B, 9.1V, 8.57-9.01V, 500m	
DZV25	0403-000563	DIODE-ZENER; MTZ9.1B, 9.1V, 8.57-9.01V, 500m	
IC601	1204-001222	IC-AUDIO PROCESSOR; TDA7429, DIP, 44P, -	
IC602	1201-000191	IC-OP AMP; 4558, DIP, 8P, 300ML, DUAL, 20V/mV	
IC905	0904-001121	IC-I/O SUPPORT CHIP; 8574, 8BIT, DIP, 16P, 30	
ICV01	1001-000212	IC-VIDEO SWITCH; TA8851AN, -DIP, 54P, -	
JKV01	3722-001039	JACK-RCA; 9P, 3.4mm, SN, BLK, #16-22	
JKV02	3722-000544	JACK-VHS; 12P, 11.5mm, AG, BLK, N	
JKV03	3701-001013	CONNECTOR-DSUB; 15P, 3R, FEMALE, STRAIGHT, AU	
JKV04	3701-001013	CONNECTOR-DSUB; 15P, 3R, FEMALE, STRAIGHT, AU	
JKV05	3722-000144	JACK-PHONE; 1P, 3.6mm, MBAG, BLACK, -	
JKV06	3722-001351	JACK-RCA; 8P, 9P, 3.4MM, NI, BLK, -	
JKV07	3722-001350	JACK-RCA; 7P, 9P, 3.4MM, NI, BLK, -	
L601	2701-000115	INDUCTOR-AXIAL; 10uH, 10%, 3x7mm	
L701	3301-000287	CORE-FERRITE BEAD; AA, 3.5x1x6mm, 1500, 2400	
L702	3301-000287	CORE-FERRITE BEAD; AA, 3.5x1x6mm, 1500, 2400	
L703	3301-000287	CORE-FERRITE BEAD; AA, 3.5x1x6mm, 1500, 2400	
L704	3301-000287	CORE-FERRITE BEAD; AA, 3.5x1x6mm, 1500, 2400	
L705	3301-000287	CORE-FERRITE BEAD; AA, 3.5x1x6mm, 1500, 2400	
L706	3301-000287	CORE-FERRITE BEAD; AA, 3.5x1x6mm, 1500, 2400	
L707	3301-000287	CORE-FERRITE BEAD; AA, 3.5x1x6mm, 1500, 2400	
L708	3301-000287	CORE-FERRITE BEAD; AA, 3.5x1x6mm, 1500, 2400	
LEADC	AA39-00035A	LEAD CONNECTOR-ASSY.; 3191-01P, 1P, 600M	
LV01	2701-000116	INDUCTOR-AXIAL; 10uH, 10%, 4.2x9.8mm	
PCB	AA41-00020D	PCB-TERMINAL; P51A, 2L, FR-4, 180X245X1.6T, 1	
Q701	0501-000389	TR-SMALL SIGNAL; KSC815, NPN, 400mW, TO-92, T	
Q702	0501-000389	TR-SMALL SIGNAL; KSC815, NPN, 400mW, TO-92, T	
Q703	0501-000389	TR-SMALL SIGNAL; KSC815, NPN, 400mW, TO-92, T	
QV01	0501-000389	TR-SMALL SIGNAL; KSC815, NPN, 400mW, TO-92, T	
QV02	0501-000283	TR-SMALL SIGNAL; KSA539, PNP, 400mW, TO-92, T	
QV05	0501-000389	TR-SMALL SIGNAL; KSC815, NPN, 400mW, TO-92, T	
QV06	0501-000389	TR-SMALL SIGNAL; KSC815, NPN, 400mW, TO-92, T	
QV07	0501-000389	TR-SMALL SIGNAL; KSC815, NPN, 400mW, TO-92, T	
R601	2001-000812	R-CARBON; 5.6KOHM, 5%, 1/8W, AA, TP, 1.8X3.2M	
R602	2001-000812	R-CARBON; 5.6KOHM, 5%, 1/8W, AA, TP, 1.8X3.2M	
R603	2001-000472	R-CARBON; 2.7KOHM, 5%, 1/8W, AA, TP, 1.8X3.2M	

Loc. No.	Code No.	Description ; Specification	Remark	Loc. No.	Code No.	Description ; Specification	Remark
C223	2203-000218	C-CERAMIC,CHIP;100nF,20%,50V,Y5V,TP,2012		C414	2203-000239	C-CERAMIC,CHIP;0.1nF,5%,50V,NP0,TP,2012	
C224	2401-000311	C-AL;100uF,20%,25V,GPT,TP,8x9mm,5mm		C415	2203-001002	C-CERAMIC,CHIP;0.047nF,5%,50V,NP0,TP,2012	
C225	2401-000311	C-AL;100uF,20%,25V,GPT,TP,8x9mm,5mm		C416	2203-001002	C-CERAMIC,CHIP;0.047nF,5%,50V,NP0,TP,2012	
C226	2203-000218	C-CERAMIC,CHIP;100nF,20%,50V,Y5V,TP,2012		C417	2401-000598	C-AL;1uF,20%,50V,GPT,TP,4x7,5	
C227	2401-000311	C-AL;100uF,20%,25V,GPT,TP,8x9mm,5mm		C418	2401-000922	C-AL;22uF,20%,16V,GPT,TP,5x5,5	
C228	2203-000218	C-CERAMIC,CHIP;100nF,20%,50V,Y5V,TP,2012		C421	2203-001002	C-CERAMIC,CHIP;0.047nF,5%,50V,NP0,TP,2012	
C229	2401-000311	C-AL;100uF,20%,25V,GPT,TP,8x9mm,5mm		C428	2401-000922	C-AL;22uF,20%,16V,GPT,TP,5x5,5	
C230	2203-000218	C-CERAMIC,CHIP;100nF,20%,50V,Y5V,TP,2012		C488	2203-000218	C-CERAMIC,CHIP;100nF,20%,50V,Y5V,TP,2012	
C231	2203-000753	C-CERAMIC,CHIP;330nF,+80-20%,50V,Y5V,TP		CF01	2203-000555	C-CERAMIC,CHIP;0.02nF,5%,50V,NP0,TP,2012	
C233	2203-000218	C-CERAMIC,CHIP;100nF,20%,50V,Y5V,TP,2012		CF02	2203-000555	C-CERAMIC,CHIP;0.02nF,5%,50V,NP0,TP,2012	
C234	2401-000426	C-AL;10uF,20%,16V,GPT,TP,3.5x5,5		CF03	2203-000555	C-CERAMIC,CHIP;0.02nF,5%,50V,NP0,TP,2012	
C236	2401-000426	C-AL;10uF,20%,16V,GPT,TP,3.5x5,5		CF09	2203-000938	C-CERAMIC,CHIP;0.47nF,5%,50V,NP0,TP,2012	
C237	2203-000979	C-CERAMIC,CHIP;47nF,10%,50V,X7R,TP,2012		CL115	2401-000311	C-AL;100uF,20%,25V,GPT,TP,8x9mm,5mm	
C238	2203-000444	C-CERAMIC,CHIP;1nF,10%,50V,X7R,TP,2012,-		CN205	3711-003543	CONNECTOR-HEADER,NOWALL,16P,1R,2.54MM,AN	
C239	2203-000753	C-CERAMIC,CHIP;330nF,+80-20%,50V,Y5V,TP		CY19	2401-000486	C-AL;10uF,20%,50V,GPT,TP,6.3x7mm,5	
C243	2203-000218	C-CERAMIC,CHIP;100nF,20%,50V,Y5V,TP,2012		CY20	2203-000218	C-CERAMIC,CHIP;100nF,20%,50V,Y5V,TP,2012	
C244	2203-000218	C-CERAMIC,CHIP;100nF,20%,50V,Y5V,TP,2012		CY21	2203-000925	C-CERAMIC,CHIP;470NF,+80-20%,50V,Y5V,TP	
C245	2203-000218	C-CERAMIC,CHIP;100nF,20%,50V,Y5V,TP,2012		CY22	2203-001088	C-CERAMIC,CHIP;0.005nF,0.25pF,50V,NP0,TP	
C246	2401-002183	C-AL;220uF,20%,16V,GPT,TP,8x9,5mm		CY23	2203-000218	C-CERAMIC,CHIP;100nF,20%,50V,Y5V,TP,2012	
C247	2203-000218	C-CERAMIC,CHIP;100nF,20%,50V,Y5V,TP,2012		CY24	2203-000218	C-CERAMIC,CHIP;100nF,20%,50V,Y5V,TP,2012	
C248	2203-000218	C-CERAMIC,CHIP;100nF,20%,50V,Y5V,TP,2012		CY25	2203-000218	C-CERAMIC,CHIP;100nF,20%,50V,Y5V,TP,2012	
C249	2203-000218	C-CERAMIC,CHIP;100nF,20%,50V,Y5V,TP,2012		CY26	2203-000260	C-CERAMIC,CHIP;10nF,10%,50V,X7R,TP,2012	
C250	2203-000218	C-CERAMIC,CHIP;100nF,20%,50V,Y5V,TP,2012		CY27	2203-000802	C-CERAMIC,CHIP;330nF,10%,50V,X7R,TP,2012	
C251	2203-000218	C-CERAMIC,CHIP;100nF,20%,50V,Y5V,TP,2012		CY28	2203-000218	C-CERAMIC,CHIP;100nF,20%,50V,Y5V,TP,2012	
C252	2203-000218	C-CERAMIC,CHIP;100nF,20%,50V,Y5V,TP,2012		CY29	2203-000218	C-CERAMIC,CHIP;100nF,20%,50V,Y5V,TP,2012	
C253	2203-000218	C-CERAMIC,CHIP;100nF,20%,50V,Y5V,TP,2012		CY30	2203-000218	C-CERAMIC,CHIP;100nF,20%,50V,Y5V,TP,2012	
C254	2203-000218	C-CERAMIC,CHIP;100nF,20%,50V,Y5V,TP,2012		CY31	2203-000218	C-CERAMIC,CHIP;100nF,20%,50V,Y5V,TP,2012	
C255	2203-000218	C-CERAMIC,CHIP;100nF,20%,50V,Y5V,TP,2012		CY32	2203-000218	C-CERAMIC,CHIP;100nF,20%,50V,Y5V,TP,2012	
C256	2203-000218	C-CERAMIC,CHIP;100nF,20%,50V,Y5V,TP,2012		CY33	2203-000218	C-CERAMIC,CHIP;100nF,20%,50V,Y5V,TP,2012	
C257	2203-000218	C-CERAMIC,CHIP;100nF,20%,50V,Y5V,TP,2012		CY34	2203-000753	C-CERAMIC,CHIP;330nF,+80-20%,50V,Y5V,TP	
C258	2203-000218	C-CERAMIC,CHIP;100nF,20%,50V,Y5V,TP,2012		CY35	2203-000753	C-CERAMIC,CHIP;330nF,+80-20%,50V,Y5V,TP	
C259	2203-000218	C-CERAMIC,CHIP;100nF,20%,50V,Y5V,TP,2012		CY36	2203-000753	C-CERAMIC,CHIP;330nF,+80-20%,50V,Y5V,TP	
C260	2203-000218	C-CERAMIC,CHIP;100nF,20%,50V,Y5V,TP,2012		CY37	2203-000753	C-CERAMIC,CHIP;330nF,+80-20%,50V,Y5V,TP	
C262	2401-002183	C-AL;220uF,20%,16V,GPT,TP,8x9,5mm		CY38	2203-000753	C-CERAMIC,CHIP;330nF,+80-20%,50V,Y5V,TP	
C263	2203-000218	C-CERAMIC,CHIP;100nF,20%,50V,Y5V,TP,2012		CY39	2203-000753	C-CERAMIC,CHIP;330nF,+80-20%,50V,Y5V,TP	
C264	2203-000218	C-CERAMIC,CHIP;100nF,20%,50V,Y5V,TP,2012		CY42	2203-000753	C-CERAMIC,CHIP;330nF,+80-20%,50V,Y5V,TP	
C265	2203-000218	C-CERAMIC,CHIP;100nF,20%,50V,Y5V,TP,2012		CY43	2203-000753	C-CERAMIC,CHIP;330nF,+80-20%,50V,Y5V,TP	
C266	2203-000218	C-CERAMIC,CHIP;100nF,20%,50V,Y5V,TP,2012		CY44	2203-000753	C-CERAMIC,CHIP;330nF,+80-20%,50V,Y5V,TP	
C267	2203-000218	C-CERAMIC,CHIP;100nF,20%,50V,Y5V,TP,2012		CY45	2203-000753	C-CERAMIC,CHIP;330nF,+80-20%,50V,Y5V,TP	
C268	2203-000218	C-CERAMIC,CHIP;100nF,20%,50V,Y5V,TP,2012		CY46	2203-000753	C-CERAMIC,CHIP;330nF,+80-20%,50V,Y5V,TP	
C269	2203-000218	C-CERAMIC,CHIP;100nF,20%,50V,Y5V,TP,2012		CY47	2203-000753	C-CERAMIC,CHIP;330nF,+80-20%,50V,Y5V,TP	
C270	2401-002183	C-AL;220uF,20%,16V,GPT,TP,8x9,5mm		CY50	2203-002085	C-CERAMIC,CHIP;56nF,10%,50V,X7R,TP,2012	
C271	2203-000218	C-CERAMIC,CHIP;100nF,20%,50V,Y5V,TP,2012		CY51	2203-000260	C-CERAMIC,CHIP;10nF,10%,50V,X7R,TP,2012	
C272	2203-000218	C-CERAMIC,CHIP;100nF,20%,50V,Y5V,TP,2012		CY52	2203-000925	C-CERAMIC,CHIP;470NF,+80-20%,50V,Y5V,TP	
C273	2401-000311	C-AL;100uF,20%,25V,GPT,TP,8x9mm,5mm		CY53	2203-000925	C-CERAMIC,CHIP;470NF,+80-20%,50V,Y5V,TP	
C274	2203-000218	C-CERAMIC,CHIP;100nF,20%,50V,Y5V,TP,2012		CY54	2203-000260	C-CERAMIC,CHIP;10nF,10%,50V,X7R,TP,2012	
C275	2203-000218	C-CERAMIC,CHIP;100nF,20%,50V,Y5V,TP,2012		CY55	2203-000925	C-CERAMIC,CHIP;470NF,+80-20%,50V,Y5V,TP	
C276	2203-000218	C-CERAMIC,CHIP;100nF,20%,50V,Y5V,TP,2012		CY56	2203-000925	C-CERAMIC,CHIP;470NF,+80-20%,50V,Y5V,TP	
C277	2203-000218	C-CERAMIC,CHIP;100nF,20%,50V,Y5V,TP,2012		CY57	2203-000260	C-CERAMIC,CHIP;10nF,10%,50V,X7R,TP,2012	
C278	2203-000218	C-CERAMIC,CHIP;100nF,20%,50V,Y5V,TP,2012		CY58	2203-000260	C-CERAMIC,CHIP;10nF,10%,50V,X7R,TP,2012	
C279	2203-000218	C-CERAMIC,CHIP;100nF,20%,50V,Y5V,TP,2012		CY59	2203-000260	C-CERAMIC,CHIP;10nF,10%,50V,X7R,TP,2012	
C280	2203-000218	C-CERAMIC,CHIP;100nF,20%,50V,Y5V,TP,2012		CY60	2401-001496	C-AL;47uF,20%,16V,GPT,TP,5x7,5	
C281	2203-000218	C-CERAMIC,CHIP;100nF,20%,50V,Y5V,TP,2012		CY61	2203-000218	C-CERAMIC,CHIP;100nF,20%,50V,Y5V,TP,2012	
C282	2203-000239	C-CERAMIC,CHIP;0.1nF,5%,50V,NP0,TP,2012		CY65	2401-000486	C-AL;10uF,20%,50V,GPT,TP,6.3x7mm,5	
C283	2203-000142	C-CERAMIC,CHIP;1.5nF,10%,50V,X7R,TP,2012		CY66	2203-000925	C-CERAMIC,CHIP;470NF,+80-20%,50V,Y5V,TP	
C286	2401-000311	C-AL;100uF,20%,25V,GPT,TP,8x9mm,5mm		CY67	2401-001496	C-AL;47uF,20%,16V,GPT,TP,5x7,5	
C287	2401-000311	C-AL;100uF,20%,25V,GPT,TP,8x9mm,5mm		CY68	2203-000218	C-CERAMIC,CHIP;100nF,20%,50V,Y5V,TP,2012	
C288	2203-000218	C-CERAMIC,CHIP;100nF,20%,50V,Y5V,TP,2012		CY69	2203-000260	C-CERAMIC,CHIP;10nF,10%,50V,X7R,TP,2012	
C289	2203-000444	C-CERAMIC,CHIP;1nF,10%,50V,X7R,TP,2012,-		CY70	2203-000260	C-CERAMIC,CHIP;10nF,10%,50V,X7R,TP,2012	
C290	2203-000444	C-CERAMIC,CHIP;1nF,10%,50V,X7R,TP,2012,-		CY71	2203-000260	C-CERAMIC,CHIP;10nF,10%,50V,X7R,TP,2012	
C291	2203-000444	C-CERAMIC,CHIP;1nF,10%,50V,X7R,TP,2012,-		CY72	2401-000486	C-AL;10uF,20%,50V,GPT,TP,6.3x7mm,5	
C292	2203-001088	C-CERAMIC,CHIP;0.005nF,0.25pF,50V,NP0,TP		CY73	2203-000218	C-CERAMIC,CHIP;100nF,20%,50V,Y5V,TP,2012	
C293	2203-001088	C-CERAMIC,CHIP;0.005nF,0.25pF,50V,NP0,TP		CY74	2203-000495	C-CERAMIC,CHIP;2.2nF,10%,50V,X7R,TP,2012	
C294	2203-000142	C-CERAMIC,CHIP;1.5nF,10%,50V,X7R,TP,2012		CY75	2301-000342	C-FILM,PEF;2.2nF,5%,50V,TP,7.4x3.9x13mm,	
C295	2203-000239	C-CERAMIC,CHIP;0.1nF,5%,50V,NP0,TP,2012		CY76	2203-000218	C-CERAMIC,CHIP;100nF,20%,50V,Y5V,TP,2012	
C296	2203-000218	C-CERAMIC,CHIP;100nF,20%,50V,Y5V,TP,2012		D201	0403-000666	DIODE-ZENER;MTZ5.1A,5.1V,4.81-5.07V,500m	
C297	2203-000218	C-CERAMIC,CHIP;100nF,20%,50V,Y5V,TP,2012		D202	0401-000005	DIODE-SWITCHING;1N4148,100V,200MA,DO-35,	
C298	2203-000218	C-CERAMIC,CHIP;100nF,20%,50V,Y5V,TP,2012		D203	0401-000005	DIODE-SWITCHING;1N4148,100V,200MA,DO-35,	
C299	2203-000218	C-CERAMIC,CHIP;100nF,20%,50V,Y5V,TP,2012		D204	0403-000666	DIODE-ZENER;MTZ5.1A,5.1V,4.81-5.07V,500m	
C401	2203-000925	C-CERAMIC,CHIP;470NF,+80-20%,50V,Y5V,TP		D205	0403-000666	DIODE-ZENER;MTZ5.1A,5.1V,4.81-5.07V,500m	
C402	2203-000218	C-CERAMIC,CHIP;100nF,20%,50V,Y5V,TP,2012		D206	0401-000160	DIODE-SWITCHING;ISS314,30V,100mA,USC,TP	
C404	2203-000218	C-CERAMIC,CHIP;100nF,20%,50V,Y5V,TP,2012		D207	0401-000160	DIODE-SWITCHING;ISS314,30V,100mA,USC,TP	
C405	2203-001002	C-CERAMIC,CHIP;0.047nF,5%,50V,NP0,TP,2012		D208	0401-000005	DIODE-SWITCHING;1N4148,100V,200MA,DO-35,	
C406	2203-001002	C-CERAMIC,CHIP;0.047nF,5%,50V,NP0,TP,2012		DY08	0401-000160	DIODE-SWITCHING;ISS314,30V,100mA,USC,TP	
C409	2203-000938	C-CERAMIC,CHIP;0.47nF,5%,50V,NP0,TP,2012		DZY02	0403-000654	DIODE-ZENER;MTZ12B,12V,11.44-12.03V,500m	
C410	2203-000938	C-CERAMIC,CHIP;0.47nF,5%,50V,NP0,TP,2012		DZY03	0403-000654	DIODE-ZENER;MTZ12B,12V,11.44-12.03V,500m	
C411	2203-001002	C-CERAMIC,CHIP;0.047nF,5%,50V,NP0,TP,2012		DZY04	0403-000654	DIODE-ZENER;MTZ12B,12V,11.44-12.03V,500m	

Loc. No.	Code No.	Description ; Specification	Remark	Loc. No.	Code No.	Description ; Specification	Remark
DZY05	0403-000297	DIODE-ZENER,MTZ6.2B,6.2V,5.96-6.27V,500m		R223	2007-000947	R-CHIP;470HM,5%,1/10W,DA,TP,2012	
DZY06	0403-000297	DIODE-ZENER,MTZ6.2B,6.2V,5.96-6.27V,500m		R224	2007-000947	R-CHIP;470HM,5%,1/10W,DA,TP,2012	
FY11	2901-000226	FILTER-EMI SMD;25V,200mA,-,100pF,3.2x1.2		R225	2007-000947	R-CHIP;470HM,5%,1/10W,DA,TP,2012	
FY12	2901-000226	FILTER-EMI SMD;25V,200mA,-,100pF,3.2x1.2		R226	2007-000947	R-CHIP;470HM,5%,1/10W,DA,TP,2012	
FY13	2901-000226	FILTER-EMI SMD;25V,200mA,-,100pF,3.2x1.2		R227	2007-000947	R-CHIP;470HM,5%,1/10W,DA,TP,2012	
FY14	2901-000226	FILTER-EMI SMD;25V,200mA,-,100pF,3.2x1.2		R228	2007-000947	R-CHIP;470HM,5%,1/10W,DA,TP,2012	
FY15	2901-000226	FILTER-EMI SMD;25V,200mA,-,100pF,3.2x1.2		R229	2007-000947	R-CHIP;470HM,5%,1/10W,DA,TP,2012	
△IC201	1205-001172	IC-INTERFACE;CIP3250A,PLCC,68P,24.2MIL,P		R230	2007-000947	R-CHIP;470HM,5%,1/10W,DA,TP,2012	
△IC202	1204-001362	IC-VIDEO PROCESS;VPC3215C,PLCC,43P,-,PLA		R231	2007-000947	R-CHIP;470HM,5%,1/10W,DA,TP,2012	
△IC203	1203-000346	IC-VOL SUPERVISOR;7705,SOP,8P,150MIL,P		R232	2007-000947	R-CHIP;470HM,5%,1/10W,DA,TP,2012	
△IC204	1002-001045	IC-D/A CONVERTER;9280,8BIT,PLCC,68P,-,-		R233	2007-000947	R-CHIP;470HM,5%,1/10W,DA,TP,2012	
△IC206	1204-001188	IC-VERTICAL PROCESS;SDA9272,QFP,208P,28		R234	2007-000947	R-CHIP;470HM,5%,1/10W,DA,TP,2012	
△IC207	1105-001071	IC-DRAM;9253,212x64BIT,QFP,64P,17.2MIL		R235	2007-000947	R-CHIP;470HM,5%,1/10W,DA,TP,2012	
△IC208	1105-001071	IC-DRAM;9253,212x64BIT,QFP,64P,17.2MIL		R236	2007-000947	R-CHIP;470HM,5%,1/10W,DA,TP,2012	
△IC209	1204-001372	IC-HOR,VER,PROCESS;SDA9361,QFP,44P,-,P		R237	2007-000947	R-CHIP;470HM,5%,1/10W,DA,TP,2012	
△IC212	0803-000123	IC-TTL;74F125,BUFFER,SOP,14P,150MIL,Q		R238	2007-000947	R-CHIP;470HM,5%,1/10W,DA,TP,2012	
△ICY02	1001-001034	IC-VIDEO SWITCH;CXA2011Q,-,QFP,64P,-,SIN		R24	2007-000947	R-CHIP;470HM,5%,1/10W,DA,TP,2012	
△ICY03	1204-001214	IC-CHROMA;CXA1839Q,QFP,48P,-,PLASTIC,11V		R240	2007-000872	R-CHIP;4.7KOHM,5%,1/10W,DA,TP,2012	
△ICY04	0801-000442	IC-CMOS LOGIC;74HCU04,INVERTER,SOP,14P,1		R242	2007-000468	R-CHIP;1KOHM,5%,1/10W,DA,TP,2012	
△ICY17	0801-002319	IC-CMOS LOGIC;74HC221,MULTIVIBRATOR,SOP		R245	2007-000029	R-CHIP;00HM,5%,1/10W,DA,TP,2012	
L202	2701-000142	INDUCTOR-AXIAL;1uH,10%,2.5x3.4mm		R26	2007-000947	R-CHIP;470HM,5%,1/10W,DA,TP,2012	
L203	2701-001078	INDUCTOR-AXIAL;680nH,10%,2.5x3.4mm		R266	2007-000409	R-CHIP;15KOHM,5%,1/10W,DA,TP,2012	
L204	2701-001078	INDUCTOR-AXIAL;680nH,10%,2.5x3.4mm		R267	2007-000586	R-CHIP;22KOHM,5%,1/10W,DA,TP,2012	
L205	2701-001078	INDUCTOR-AXIAL;680nH,10%,2.5x3.4mm		R278	2007-000290	R-CHIP;100OHM,5%,1/10W,DA,TP,2012	
L206	2901-000297	FILTER-EMI ON BOARD;-3A,-,-3.5x5,TP-		R282	2007-000947	R-CHIP;470HM,5%,1/10W,DA,TP,2012	
L207	2901-000297	FILTER-EMI ON BOARD;-3A,-,-3.5x5,TP-		R280	2007-000290	R-CHIP;100OHM,5%,1/10W,DA,TP,2012	
L208	2701-000115	INDUCTOR-AXIAL;10uH,10%,3x7mm		R281	2007-000001	R-CHIP;68KOHM,5%,1/10W,DA,TP,2012	
L210	2701-000146	INDUCTOR-AXIAL;2.2uH,10%,2.5x3.4mm		R282	2001-000016	R-CARBON(S);10HM,5%,1/2W,AA,TP,2.4X6.4MM	
L211	2701-000115	INDUCTOR-AXIAL;10uH,10%,3x7mm		R283	2007-000300	R-CHIP;10KOHM,5%,1/10W,DA,TP,2012	
L212	2701-000115	INDUCTOR-AXIAL;10uH,10%,3x7mm		R284	2007-000300	R-CHIP;10KOHM,5%,1/10W,DA,TP,2012	
L213	2701-000115	INDUCTOR-AXIAL;10uH,10%,3x7mm		R285	2007-001224	R-CHIP;9.1KOHM,5%,1/10W,DA,TP,2012	
L214	2701-000116	INDUCTOR-AXIAL;10uH,10%,4.2x9.8mm		R287	2007-000941	R-CHIP;47KOHM,5%,1/10W,DA,TP,2012	
L215	2701-000115	INDUCTOR-AXIAL;10uH,10%,3x7mm		R288	2007-000822	R-CHIP;380OHM,5%,1/10W,DA,TP,2012	
L216	2701-000115	INDUCTOR-AXIAL;10uH,10%,3x7mm		R289	2007-000468	R-CHIP;1KOHM,5%,1/10W,DA,TP,2012	
L217	2701-000115	INDUCTOR-AXIAL;10uH,10%,3x7mm		R290	2007-000947	R-CHIP;470HM,5%,1/10W,DA,TP,2012	
L218	2701-000115	INDUCTOR-AXIAL;10uH,10%,3x7mm		R291	2007-000947	R-CHIP;470HM,5%,1/10W,DA,TP,2012	
L220	2701-000115	INDUCTOR-AXIAL;10uH,10%,3x7mm		R292	2007-000468	R-CHIP;1KOHM,5%,1/10W,DA,TP,2012	
L223	2701-000115	INDUCTOR-AXIAL;10uH,10%,3x7mm		R293	2007-000468	R-CHIP;1KOHM,5%,1/10W,DA,TP,2012	
L230	2701-000115	INDUCTOR-AXIAL;10uH,10%,3x7mm		R294	2007-000872	R-CHIP;4.7KOHM,5%,1/10W,DA,TP,2012	
L232	2701-000146	INDUCTOR-AXIAL;2.2uH,10%,2.5x3.4mm		R295	2007-000267	R-CHIP;1.8KOHM,5%,1/10W,DA,TP,2012	
L233	2701-000146	INDUCTOR-AXIAL;2.2uH,10%,2.5x3.4mm		R296	2007-000518	R-CHIP;2.7KOHM,5%,1/10W,DA,TP,2012	
L234	2701-000146	INDUCTOR-AXIAL;2.2uH,10%,2.5x3.4mm		R297	2007-000947	R-CHIP;470HM,5%,1/10W,DA,TP,2012	
L236	2701-000146	INDUCTOR-AXIAL;2.2uH,10%,2.5x3.4mm		R298	2007-000290	R-CHIP;100OHM,5%,1/10W,DA,TP,2012	
L237	2701-000115	INDUCTOR-AXIAL;10uH,10%,3x7mm		R299	2007-000290	R-CHIP;100OHM,5%,1/10W,DA,TP,2012	
LF01	2001-000210	R-CARBON;0ohm,5%,1/8W,AA,TP,1.8x3.2mm		R3	2007-000947	R-CHIP;470HM,5%,1/10W,DA,TP,2012	
LF02	2001-000210	R-CARBON;0ohm,5%,1/8W,AA,TP,1.8x3.2mm		R30	2007-000947	R-CHIP;470HM,5%,1/10W,DA,TP,2012	
LY01	2701-001040	INDUCTOR-AXIAL;10uH,10%,14X4.5MM		R300	2007-000872	R-CHIP;4.7KOHM,5%,1/10W,DA,TP,2012	
PCB	AA41-110160	PCB-PROSCAN;P51A,4L,FR-4,245X205X1.6T,2A		R301	2007-000931	R-CHIP;470OHM,5%,1/10W,DA,TP,2012	
Q201	0501-000283	TR-SMALL SIGNAL;KSA539,PNP,400mW,TO-92,T		R400	2007-000781	R-CHIP;330HM,5%,1/10W,DA,TP,2012	
QY07	0501-000280	TR-SMALL SIGNAL;KSA1182,PNP,150mW,SOT-23		R401	2007-000781	R-CHIP;330HM,5%,1/10W,DA,TP,2012	
QY08	0501-000344	TR-SMALL SIGNAL;KSC1623-G,NPN,200mW,SOT-		R403	2007-000781	R-CHIP;330HM,5%,1/10W,DA,TP,2012	
QY10	0501-000280	TR-SMALL SIGNAL;KSA1182,PNP,150mW,SOT-23		R404	2007-000029	R-CHIP;00HM,5%,1/10W,DA,TP,2012	
QY11	0501-000280	TR-SMALL SIGNAL;KSA1182,PNP,150mW,SOT-23		R440	2007-000290	R-CHIP;100OHM,5%,1/10W,DA,TP,2012	
QY12	0501-000280	TR-SMALL SIGNAL;KSA1182,PNP,150mW,SOT-23		R441	2007-000290	R-CHIP;100OHM,5%,1/10W,DA,TP,2012	
QY13	0501-000344	TR-SMALL SIGNAL;KSC1623-G,NPN,200mW,SOT-		R443	2007-000290	R-CHIP;100OHM,5%,1/10W,DA,TP,2012	
QY18	0501-000344	TR-SMALL SIGNAL;KSC1623-G,NPN,200mW,SOT-		R444	2007-000290	R-CHIP;100OHM,5%,1/10W,DA,TP,2012	
QY19	0501-000344	TR-SMALL SIGNAL;KSC1623-G,NPN,200mW,SOT-		R446	2007-000290	R-CHIP;100OHM,5%,1/10W,DA,TP,2012	
QY20	0501-000344	TR-SMALL SIGNAL;KSC1623-G,NPN,200mW,SOT-		R447	2007-000290	R-CHIP;100OHM,5%,1/10W,DA,TP,2012	
QY21	0501-000280	TR-SMALL SIGNAL;KSA1182,PNP,150mW,SOT-23		R449	2007-000290	R-CHIP;100OHM,5%,1/10W,DA,TP,2012	
R1	2007-000947	R-CHIP;470HM,5%,1/10W,DA,TP,2012		R450	2007-000290	R-CHIP;100OHM,5%,1/10W,DA,TP,2012	
R11	2007-000947	R-CHIP;470HM,5%,1/10W,DA,TP,2012		R451	2007-000290	R-CHIP;100OHM,5%,1/10W,DA,TP,2012	
R13	2007-000947	R-CHIP;470HM,5%,1/10W,DA,TP,2012		R452	2007-001208	R-CHIP;82KOHM,5%,1/10W,DA,TP,2012	
R15	2007-000947	R-CHIP;470HM,5%,1/10W,DA,TP,2012		R453	2007-000290	R-CHIP;100OHM,5%,1/10W,DA,TP,2012	
R16	2007-000947	R-CHIP;470HM,5%,1/10W,DA,TP,2012		R454	2007-000290	R-CHIP;100OHM,5%,1/10W,DA,TP,2012	
R18	2007-000947	R-CHIP;470HM,5%,1/10W,DA,TP,2012		R455	2007-000290	R-CHIP;100OHM,5%,1/10W,DA,TP,2012	
R20	2007-000947	R-CHIP;470HM,5%,1/10W,DA,TP,2012		R456	2007-000290	R-CHIP;100OHM,5%,1/10W,DA,TP,2012	
R212	2007-000941	R-CHIP;47KOHM,5%,1/10W,DA,TP,2012		R460	2007-000290	R-CHIP;100OHM,5%,1/10W,DA,TP,2012	
R213	2007-000941	R-CHIP;47KOHM,5%,1/10W,DA,TP,2012		R481	2203-000239	C-CERAMIC,CHIP;0.1nF,5%,50V,NPO,TP,2012	
R215	2007-000380	R-CHIP;13KOHM,5%,1/10W,DA,TP,2012		R5	2007-000947	R-CHIP;470HM,5%,1/10W,DA,TP,2012	
R216	2007-000300	R-CHIP;10KOHM,5%,1/10W,DA,TP,2012		R54	2007-000947	R-CHIP;470HM,5%,1/10W,DA,TP,2012	
R217	2007-000401	R-CHIP;150OHM,5%,1/10W,DA,TP,2012		R55	2007-000947	R-CHIP;470HM,5%,1/10W,DA,TP,2012	
R218	2007-000401	R-CHIP;150OHM,5%,1/10W,DA,TP,2012		R56	2007-000947	R-CHIP;470HM,5%,1/10W,DA,TP,2012	
R219	2007-000401	R-CHIP;150OHM,5%,1/10W,DA,TP,2012		R57	2007-000947	R-CHIP;470HM,5%,1/10W,DA,TP,2012	
R22	2007-000947	R-CHIP;470HM,5%,1/10W,DA,TP,2012		R65	2007-000947	R-CHIP;470HM,5%,1/10W,DA,TP,2012	
R220	2007-000401	R-CHIP;150OHM,5%,1/10W,DA,TP,2012		R66	2007-000947	R-CHIP;470HM,5%,1/10W,DA,TP,2012	
R221	2007-001055	R-CHIP;6.2KOHM,5%,1/10W,DA,TP,2012		R67	2007-000947	R-CHIP;470HM,5%,1/10W,DA,TP,2012	
R222	2007-000947	R-CHIP;470HM,5%,1/10W,DA,TP,2012		R68	2007-000947	R-CHIP;470HM,5%,1/10W,DA,TP,2012	
				R7	2007-000947	R-CHIP;470HM,5%,1/10W,DA,TP,2012	

Loc. No.	Code No.	Description : Specification	Remark
R9	2007-000947	R-CHIP;470HM,5%,1/10W,DA,TP,2012	
RA219	2007-000290	R-CHIP;1000HM,5%,1/10W,DA,TP,2012	
RA227	2007-000290	R-CHIP;1000HM,5%,1/10W,DA,TP,2012	
RA228	2007-000290	R-CHIP;1000HM,5%,1/10W,DA,TP,2012	
RA233	2007-000572	R-CHIP;2200HM,5%,1/10W,DA,TP,2012	
RA234	2007-000290	R-CHIP;1000HM,5%,1/10W,DA,TP,2012	
RA239	2007-000798	R-CHIP;3600HM,5%,1/10W,DA,TP,2012	
RF01	2007-000029	R-CHIP;00HM,5%,1/10W,DA,TP,2012	
RF02	2007-000401	R-CHIP;1500HM,5%,1/10W,DA,TP,2012	
RF03	2007-000029	R-CHIP;00HM,5%,1/10W,DA,TP,2012	
RF04	2007-000290	R-CHIP;1000HM,5%,1/10W,DA,TP,2012	
RY05	2007-000029	R-CHIP;00HM,5%,1/10W,DA,TP,2012	
RY07	2007-000029	R-CHIP;00HM,5%,1/10W,DA,TP,2012	
RY10	2007-000029	R-CHIP;00HM,5%,1/10W,DA,TP,2012	
RY11	2007-000029	R-CHIP;00HM,5%,1/10W,DA,TP,2012	
RY12	2007-000029	R-CHIP;00HM,5%,1/10W,DA,TP,2012	
RY19	2007-000409	R-CHIP;15KOHM,5%,1/10W,DA,TP,2012	
RY20	2007-000941	R-CHIP;47KOHM,5%,1/10W,DA,TP,2012	
RY21	2007-000290	R-CHIP;1000HM,5%,1/10W,DA,TP,2012	
RY22	2007-000468	R-CHIP;1KOHM,5%,1/10W,DA,TP,2012	
RY23	2007-000290	R-CHIP;1000HM,5%,1/10W,DA,TP,2012	
RY24	2007-000290	R-CHIP;1000HM,5%,1/10W,DA,TP,2012	
RY25	2007-000290	R-CHIP;1000HM,5%,1/10W,DA,TP,2012	
RY26	2007-000290	R-CHIP;1000HM,5%,1/10W,DA,TP,2012	
RY27	2007-000290	R-CHIP;1000HM,5%,1/10W,DA,TP,2012	
RY28	2007-000290	R-CHIP;1000HM,5%,1/10W,DA,TP,2012	
RY29	2007-000468	R-CHIP;1KOHM,5%,1/10W,DA,TP,2012	
RY30	2007-000468	R-CHIP;1KOHM,5%,1/10W,DA,TP,2012	
RY31	2007-000468	R-CHIP;1KOHM,5%,1/10W,DA,TP,2012	
RY32	2007-000689	R-CHIP;3.3MOHM,5%,1/10W,DA,TP,2012	
RY33	2007-000290	R-CHIP;1000HM,5%,1/10W,DA,TP,2012	
RY34	2007-000290	R-CHIP;1000HM,5%,1/10W,DA,TP,2012	
RY35	2007-000290	R-CHIP;1000HM,5%,1/10W,DA,TP,2012	
RY37	2007-000290	R-CHIP;1000HM,5%,1/10W,DA,TP,2012	
RY39	2007-000642	R-CHIP;2700HM,5%,1/10W,DA,TP,2012	
RY40	2007-001195	R-CHIP;820KOHM,5%,1/10W,DA,TP,2012	
RY42	2007-000290	R-CHIP;1000HM,5%,1/10W,DA,TP,2012	
RY43	2007-000290	R-CHIP;1000HM,5%,1/10W,DA,TP,2012	
RY44	2007-000030	R-CHIP;5600HM,5%,1/10W,DA,TP,2012	
RY45	2007-000290	R-CHIP;1000HM,5%,1/10W,DA,TP,2012	
RY46	2007-000030	R-CHIP;5600HM,5%,1/10W,DA,TP,2012	
RY47	2007-000290	R-CHIP;1000HM,5%,1/10W,DA,TP,2012	
RY48	2007-000030	R-CHIP;5600HM,5%,1/10W,DA,TP,2012	
RY49	2007-000290	R-CHIP;1000HM,5%,1/10W,DA,TP,2012	
RY50	2007-000300	R-CHIP;10KOHM,5%,1/10W,DA,TP,2012	
RY51	2007-000686	R-CHIP;3.3KOHM,5%,1/10W,DA,TP,2012	
RY52	2007-000290	R-CHIP;1000HM,5%,1/10W,DA,TP,2012	
RY53	2007-000290	R-CHIP;1000HM,5%,1/10W,DA,TP,2012	
RY54	2007-000290	R-CHIP;1000HM,5%,1/10W,DA,TP,2012	
RY55	2007-000290	R-CHIP;1000HM,5%,1/10W,DA,TP,2012	
RY56	2007-000671	R-CHIP;2KOHM,5%,1/10W,DA,TP,2012	
RY57	2007-000290	R-CHIP;1000HM,5%,1/10W,DA,TP,2012	
RY58	2007-000653	R-CHIP;27KOHM,5%,1/10W,DA,TP,2012	
RY59	2007-000653	R-CHIP;27KOHM,5%,1/10W,DA,TP,2012	
RY68	2007-001092	R-CHIP;6200HM,5%,1/10W,DA,TP,2012	
RY70	2007-000468	R-CHIP;1KOHM,5%,1/10W,DA,TP,2012	
RY71	2001-000429	R-CARBON;1KOHM,5%,1/8W,AA,TP,1.8X3.2MM	
RY72	2001-000429	R-CARBON;1KOHM,5%,1/8W,AA,TP,1.8X3.2MM	
RY73	2007-001201	R-CHIP;8200HM,5%,1/10W,DA,TP,2012	
RY74	2007-000290	R-CHIP;1000HM,5%,1/10W,DA,TP,2012	
RY75	2007-000290	R-CHIP;1000HM,5%,1/10W,DA,TP,2012	
RY76	2007-000468	R-CHIP;1KOHM,5%,1/10W,DA,TP,2012	
RY78	2007-000468	R-CHIP;1KOHM,5%,1/10W,DA,TP,2012	
RY79	2007-000030	R-CHIP;5600HM,5%,1/10W,DA,TP,2012	
RY80	2007-000572	R-CHIP;2200HM,5%,1/10W,DA,TP,2012	
RY81	2007-001166	R-CHIP;750HM,5%,1/10W,DA,TP,2012	
RY82	2007-000822	R-CHIP;3900HM,5%,1/10W,DA,TP,2012	
RY83	2007-000290	R-CHIP;1000HM,5%,1/10W,DA,TP,2012	
RY84	2007-000468	R-CHIP;1KOHM,5%,1/10W,DA,TP,2012	
RY85	2007-000468	R-CHIP;1KOHM,5%,1/10W,DA,TP,2012	
RY86	2007-001166	R-CHIP;750HM,5%,1/10W,DA,TP,2012	
RY87	2007-001166	R-CHIP;750HM,5%,1/10W,DA,TP,2012	
RY88	2007-001166	R-CHIP;750HM,5%,1/10W,DA,TP,2012	
SHIEDC	AA63-00100A	SHIELD-CASE;SPT,0.5,SCAN-MODULE,FCC	
X201	2801-003432	CRYSTAL-UNIT;20.25MHz,30ppm,28-AAA,13pF	
X202	2801-003811	CRYSTAL-UNIT;24.576MHz,20PPM,28-AAM,30PF	
SMALT	0501-000280	TR-SMALL SIGNAL;KSA1182,PWP,150mW,SOT-23	

ASSY-CABINET,FRONT

*AA91-10402F ASSY-CABINET,FRONT;-552W SECA,(SPK)DG70

Loc. No.	Code No.	Description : Specification	Remark
BADGB	AA64-70124C	BADGE-BRAND;AL,R2500,SILVER,L=70,SAMSUNG	
C-SPK	3001-000151	SPEAKER;20W,8ohm,92dB,110Hz	
FRONTC	AA64-31315E	CABINET-FRONT;-HC,J552W SECA,DG703P+BK70	
LEADC	AA39-20609A	LEAD CONNECTOR-ASSY;-SMH250-02,REC,2P4	
SPEAKA	AA96-10153A	ASSY-SPEAKER;-8ohm,15w,001052,20609A,CE	
SPK+CF	6002-000522	SCREW-TAPPING,TH,+2,M4,L15,ZPC(BLK),SWR	

ASSY-PCB,CONVERGENCE

*AA95-00055C ASSY-PCB,CONVERGENCE;-SVP-53J5DR,P51A,-

Loc. No.	Code No.	Description : Specification	Remark
C491	2306-000322	C-FILM,MPPF;12nF,5%,1.6KV,TP,29x20.5x13,	
CN203	AA39-20067G	LEAD CONNECTOR-ASSY;-YBNH250-10,67096-0	
CN401	AA39-20068A	LEAD CONNECTOR-ASSY;-YBNH025-08,67096-0	
CN402	AA39-20071B	LEAD CONNECTOR-ASSY;-YBNH025-12,67096-0	
CN403	3711-002643	CONNECTOR-HEADER;BOX,4P,1R,2.5MM,STRAIGHT	
CN802	AA39-20068A	LEAD CONNECTOR-ASSY;-YBNH025-08,67096-0	
COILS	AA27-90001B	COIL-SPARK,GAP,S-23,1,5KV,-,-	
CZ101	2401-001429	C-AL;470uF,20%,50V,GP,TP;13x20.5	
CZ102	2401-001429	C-AL;470uF,20%,50V,GP,TP;13x20.5	
CZ103	2401-000689	C-AL;2200uF,20%,16V,GP,TP;13x25.5	
CZ105	2401-000689	C-AL;2200uF,20%,16V,GP,TP;13x25.5	
CZ106	2201-000180	C-CERAMIC,DISC;10nF,10%,50V,Y5V,TP,6.5*3	
CZ107	2201-000180	C-CERAMIC,DISC;10nF,10%,50V,Y5V,TP,6.5*3	
CZ108	2201-000499	C-CERAMIC,DISC;390pF,5%,50V,SL,TP,8.0x3.0	
CZ109	2201-000499	C-CERAMIC,DISC;390pF,5%,50V,SL,TP,8.0x3.0	
CZ110	2201-000499	C-CERAMIC,DISC;390pF,5%,50V,SL,TP,8.0x3.0	
CZ111	2201-000976	C-CERAMIC,DISC;22pF,5%,50V,CH,TP,5.0x3.0	
CZ112	2201-000863	C-CERAMIC,DISC;680pF,10%,50V,Y5P,TP,5x3,	
CZ113	2201-000976	C-CERAMIC,DISC;22pF,5%,50V,CH,TP,5.0x3.0	
CZ114	2201-000863	C-CERAMIC,DISC;680pF,10%,50V,Y5P,TP,5x3,	
CZ115	2201-000976	C-CERAMIC,DISC;22pF,5%,50V,CH,TP,5.0x3.0	
CZ116	2201-000863	C-CERAMIC,DISC;680pF,10%,50V,Y5P,TP,5x3,	
CZ117	2201-000327	C-CERAMIC,DISC;2.2nF,10%,50V,Y5V,TP,6.5x	
CZ118	2201-000327	C-CERAMIC,DISC;2.2nF,10%,50V,Y5V,TP,6.5x	
CZ119	2201-000119	C-CERAMIC,DISC;100nF,+80-20%,50V,Y5V,TP,	
CZ120	2201-000119	C-CERAMIC,DISC;100nF,+80-20%,50V,Y5V,TP,	
CZ121	2201-000764	C-CERAMIC,DISC;82pF,5%,50V,NPO,TP,8x3.5,	
CZ126	2201-000499	C-CERAMIC,DISC;390pF,5%,50V,SL,TP,8.0x3.	
CZ127	2201-000499	C-CERAMIC,DISC;390pF,5%,50V,SL,TP,8.0x3.	
CZ128	2201-000499	C-CERAMIC,DISC;390pF,5%,50V,SL,TP,8.0x3.	
CZ132	2201-000976	C-CERAMIC,DISC;22pF,5%,50V,CH,TP,5.0x3.0	
CZ133	2201-000863	C-CERAMIC,DISC;680pF,10%,50V,Y5P,TP,5x3,	
CZ134	2201-000976	C-CERAMIC,DISC;22pF,5%,50V,CH,TP,5.0x3.0	
CZ135	2201-000863	C-CERAMIC,DISC;680pF,10%,50V,Y5P,TP,5x3,	
CZ136	2201-000976	C-CERAMIC,DISC;22pF,5%,50V,CH,TP,5.0x3.0	
CZ137	2201-000863	C-CERAMIC,DISC;680pF,10%,50V,Y5P,TP,5x3,	
CZ138	2201-000327	C-CERAMIC,DISC;2.2nF,10%,50V,Y5V,TP,6.5x	
CZ139	2201-000327	C-CERAMIC,DISC;2.2nF,10%,50V,Y5V,TP,6.5x	
CZ144	2401-001840	C-AL;100uF,20%,16V,GP,TP,6.3x11.5	
CZ145	2201-000119	C-CERAMIC,DISC;100nF,+80-20%,50V,Y5V,TP,	
CZ146	2401-001840	C-AL;100uF,20%,16V,GP,TP,6.3x11.5	
CZ147	2201-000119	C-CERAMIC,DISC;100nF,+80-20%,50V,Y5V,TP,	
CZ151	2202-000121	C-CERAMIC,MLC-AXIAL;100pF,10%,50V,Y5P,TP	
CZ152	2202-000121	C-CERAMIC,MLC-AXIAL;100pF,10%,50V,Y5P,TP	
CZ153	2202-000121	C-CERAMIC,MLC-AXIAL;100pF,10%,50V,Y5P,TP	
CZ154	2202-000121	C-CERAMIC,MLC-AXIAL;100pF,10%,50V,Y5P,TP	
CZ155	2202-000121	C-CERAMIC,MLC-AXIAL;100pF,10%,50V,Y5P,TP	
CZ156	2202-000121	C-CERAMIC,MLC-AXIAL;100pF,10%,50V,Y5P,TP	
D453	0402-001286	DIODE-RECTIFIER;RP1H,2000V,1A,-,TP	
D501	0401-000005	DIODE-SWITCHING;1N4148,100V,200MA,DO-35,	
DIODEZ	0403-000297	DIODE-ZENER;MT26,2B,6.2V,5.96-6.27V,500m	
DZ120	0403-000297	DIODE-ZENER;MT26,2B,6.2V,5.96-6.27V,500m	
DZ121	0403-000297	DIODE-ZENER;MT26,2B,6.2V,5.96-6.27V,500m	
DZ122	0403-000297	DIODE-ZENER;MT26,2B,6.2V,5.96-6.27V,500m	
DZ126	0402-000546	DIODE-RECTIFIER;TVR10G,400V,1.0A,DO-41,T	
DZ127	0402-000546	DIODE-RECTIFIER;TVR10G,400V,1.0A,DO-41,T	
DZ128	0403-000297	DIODE-ZENER;MT26,2B,6.2V,5.96-6.27V,500m	
△ICZ101	1203-000284	IC-POSIFIXED REG.-;7806,TO-220,3P,-PLAS	H/SINK

Loc. No.	Code No.	Description : Specification	Remark	Loc. No.	Code No.	Description : Specification	Remark
C167	2203-001214	C-CERAMIC,CHIP;8.2nF,10%,50V,X7R,TP,2012		D118	0403-000689	DIODE-ZENER;DTZ5.1A,5.1V,4.84-5.04V,200m	
C168	2203-000444	C-CERAMIC,CHIP;1nF,10%,50V,X7R,TP,2012,-		D119	0403-000689	DIODE-ZENER;DTZ5.1A,5.1V,4.84-5.04V,200m	
C169	2203-001680	C-CERAMIC,CHIP;68nF,20%,50V,Z5U,TP,2012		D120	0403-001016	DIODE-ZENER;RLZ6.2B,6.2V,5.96-6.27V,400m	
C170	2404-000125	C-TA,CHIP;10uF,20%,16V,-,TP,5054,1.5mm		D200	0403-000689	DIODE-ZENER;DTZ5.1A,5.1V,4.84-5.04V,200m	
C171	2203-001214	C-CERAMIC,CHIP;8.2nF,10%,50V,X7R,TP,2012		D201	0403-000689	DIODE-ZENER;DTZ5.1A,5.1V,4.84-5.04V,200m	
C172	2203-000444	C-CERAMIC,CHIP;1nF,10%,50V,X7R,TP,2012,-		D203	0403-000689	DIODE-ZENER;DTZ5.1A,5.1V,4.84-5.04V,200m	
C173	2404-000125	C-TA,CHIP;10uF,20%,16V,-,TP,5054,1.5mm		D207	0403-000689	DIODE-ZENER;DTZ5.1A,5.1V,4.84-5.04V,200m	
C174	2203-001214	C-CERAMIC,CHIP;8.2nF,10%,50V,X7R,TP,2012		△ IC104	1001-000105	IC-ANALOG SWITCH;CD4066BM,BILATERAL CMOS	
C175	2203-000444	C-CERAMIC,CHIP;1nF,10%,50V,X7R,TP,2012,-		△ IC106	1201-000167	IC-OP AMP;358,SOP8P,150MIL,DUAL,100V/mV	
C176	2404-000125	C-TA,CHIP;10uF,20%,16V,-,TP,5054,1.5mm		△ IC112	AA13-30006B	IC-MCU;AT89C52-24,-,ST-,40P,DIP,-,	
C177	2203-001214	C-CERAMIC,CHIP;8.2nF,10%,50V,X7R,TP,2012		△ IC113	1002-000131	IC-A/D&D/A CONVERTER;PCM55HP,16BIT,SOP,2	
C178	2203-000444	C-CERAMIC,CHIP;1nF,10%,50V,X7R,TP,2012,-		△ IC114	1002-000131	IC-A/D&D/A CONVERTER;PCM55HP,16BIT,SOP,2	
C179	2404-000125	C-TA,CHIP;10uF,20%,16V,-,TP,5054,1.5mm		△ IC115	1002-000131	IC-A/D&D/A CONVERTER;PCM55HP,16BIT,SOP,2	
C180	2203-001214	C-CERAMIC,CHIP;8.2nF,10%,50V,X7R,TP,2012		△ IC132	0801-001156	IC-CMOS LOGIC;74HC4066,BILATERAL SWITCH	
C181	2203-000444	C-CERAMIC,CHIP;1nF,10%,50V,X7R,TP,2012,-		△ IC133	0801-001156	IC-CMOS LOGIC;74HC4066,BILATERAL SWITCH	
C182	2203-001077	C-CERAMIC,CHIP;0.056nF,5%,50V,NP0,TP,201		△ IC135	1001-000105	IC-ANALOG SWITCH;CD4066BM,BILATERAL CMOS	
C183	2404-000125	C-TA,CHIP;10uF,20%,16V,-,TP,5054,1.5mm		△ IC136	1001-000105	IC-ANALOG SWITCH;CD4066BM,BILATERAL CMOS	
C184	2404-000125	C-TA,CHIP;10uF,20%,16V,-,TP,5054,1.5mm		△ IC141	1103-000139	IC-EEPROM;24C16,2KX8BIT,DIP,8P,300MIL,10	
C185	2404-000125	C-TA,CHIP;10uF,20%,16V,-,TP,5054,1.5mm		△ IC143	AA13-10002P	IC-ASIC-;SSVC-1000,QFP,160P,YGA CONVE	
C186	2404-000125	C-TA,CHIP;10uF,20%,16V,-,TP,5054,1.5mm		△ IC144	1203-000641	IC-RESET;7442,TO-92,3P,-,PLASTIC,-0.3/7	
C187	2203-001680	C-CERAMIC,CHIP;68nF,20%,50V,Z5U,TP,2012		L100	AA26-00015A	TRANS-IF,-,SCA,-,-,5MM,80PF,16.1MHZ,BK	
C188	2404-000125	C-TA,CHIP;10uF,20%,16V,-,TP,5054,1.5mm		L102	2703-000248	INDUCTOR-SMD;820uH,5%,4.5x3.2x3.2mm	
C189	2404-000125	C-TA,CHIP;10uF,20%,16V,-,TP,5054,1.5mm		L103	2703-000248	INDUCTOR-SMD;820uH,5%,4.5x3.2x3.2mm	
C190	2203-001680	C-CERAMIC,CHIP;68nF,20%,50V,Z5U,TP,2012		L104	2703-000248	INDUCTOR-SMD;820uH,5%,4.5x3.2x3.2mm	
C191	2305-000289	C-FILM,MPPEF;220nF,5%,B3V,TP,-,5mm		L105	2703-000248	INDUCTOR-SMD;820uH,5%,4.5x3.2x3.2mm	
C193	2404-000123	C-TA,CHIP;10uF,20%,16V,-,TP,6032,2.9mm		L106	2703-000248	INDUCTOR-SMD;820uH,5%,4.5x3.2x3.2mm	
C194	2203-001680	C-CERAMIC,CHIP;68nF,20%,50V,Z5U,TP,2012		L107	2703-000248	INDUCTOR-SMD;820uH,5%,4.5x3.2x3.2mm	
C195	2404-000275	C-TA,CHIP;100uF,10%,10V,GP,TP,7343		L108	2703-000395	INDUCTOR-SMD;470uH,5%,4.5x3.2x2.2mm	
C196	2203-000634	C-CERAMIC,CHIP;0.022nF,5%,50V,NP0,TP,201		L109	2703-000395	INDUCTOR-SMD;470uH,5%,4.5x3.2x2.2mm	
C197	2203-000634	C-CERAMIC,CHIP;0.022nF,5%,50V,NP0,TP,201		L110	2703-000395	INDUCTOR-SMD;470uH,5%,4.5x3.2x2.2mm	
C198	2203-000634	C-CERAMIC,CHIP;0.022nF,5%,50V,NP0,TP,201		L111	2703-000395	INDUCTOR-SMD;470uH,5%,4.5x3.2x2.2mm	
C199	2401-000027	C-AL;4.7uF,20%,50V,GP,TP,5x11,5		L112	2703-000395	INDUCTOR-SMD;470uH,5%,4.5x3.2x2.2mm	
C201	2203-000218	C-CERAMIC,CHIP;100nF,20%,50V,Y5V,TP,2012		L113	2703-000395	INDUCTOR-SMD;470uH,5%,4.5x3.2x2.2mm	
C202	2203-000683	C-CERAMIC,CHIP;0.027nF,5%,50V,NP0,TP,201		L121	2901-000297	FILTER-EMI ON BOARD;-;3A,-,-,3.5x5,TP-	
C203	2203-000429	C-CERAMIC,CHIP;0.018nF,5%,50V,NP0,TP,201		L122	2703-000392	INDUCTOR-SMD;10uH,5%,4.5x3.2x2.2mm	
C207	2203-001680	C-CERAMIC,CHIP;68nF,20%,50V,Z5U,TP,2012		L123	2703-000392	INDUCTOR-SMD;10uH,5%,4.5x3.2x2.2mm	
C208	2203-000444	C-CERAMIC,CHIP;1nF,10%,50V,X7R,TP,2012,-		L124	2703-000392	INDUCTOR-SMD;10uH,5%,4.5x3.2x2.2mm	
C210	2404-000123	C-TA,CHIP;10uF,20%,16V,-,TP,6032,2.9mm		PCB	AA41-00061A	PCB-CONVERGENCE MOL;P51A,2L,FR-4,245X180	
C221	2203-001048	C-CERAMIC,CHIP;0.56nF,10%,50V,NP0,TP,201		Q100	0501-000342	TR-SMALL SIGNAL;KSC1623-Y,NPN,200mW,SOT-	
C222	2203-001048	C-CERAMIC,CHIP;0.56nF,10%,50V,NP0,TP,201		Q101	0501-000342	TR-SMALL SIGNAL;KSC1623-Y,NPN,200mW,SOT-	
C301	2203-000634	C-CERAMIC,CHIP;0.022nF,5%,50V,NP0,TP,201		Q102	0501-000342	TR-SMALL SIGNAL;KSC1623-Y,NPN,200mW,SOT-	
C302	2203-000634	C-CERAMIC,CHIP;0.022nF,5%,50V,NP0,TP,201		Q103	0501-000342	TR-SMALL SIGNAL;KSC1623-Y,NPN,200mW,SOT-	
C303	2203-000634	C-CERAMIC,CHIP;0.022nF,5%,50V,NP0,TP,201		Q104	0501-000342	TR-SMALL SIGNAL;KSC1623-Y,NPN,200mW,SOT-	
C305	2203-000218	C-CERAMIC,CHIP;100nF,20%,50V,Y5V,TP,2012		Q105	0501-000342	TR-SMALL SIGNAL;KSC1623-Y,NPN,200mW,SOT-	
CN001	3711-002709	CONNECTOR-HEADER;NOWALL,12P,1R,2.5MM,ANG		Q106	0501-000342	TR-SMALL SIGNAL;KSC1623-Y,NPN,200mW,SOT-	
CN002	3711-002708	CONNECTOR-HEADER;NOWALL,10P,1R,2.5MM,ANG		Q107	0501-000342	TR-SMALL SIGNAL;KSC1623-Y,NPN,200mW,SOT-	
CP101	2901-000233	FILTER-EMI SMD;50V,300mA,-,330pF,4.5x1.8		Q108	0501-000342	TR-SMALL SIGNAL;KSC1623-Y,NPN,200mW,SOT-	
CP102	2901-000233	FILTER-EMI SMD;50V,300mA,-,330pF,4.5x1.8		Q109	0501-000342	TR-SMALL SIGNAL;KSC1623-Y,NPN,200mW,SOT-	
CP103	2901-000229	FILTER-EMI SMD;50V,300mA,-,22nF,4.5x1.8x		Q110	0501-000342	TR-SMALL SIGNAL;KSC1623-Y,NPN,200mW,SOT-	
CP104	2901-000229	FILTER-EMI SMD;50V,300mA,-,22nF,4.5x1.8x		Q111	0501-000342	TR-SMALL SIGNAL;KSC1623-Y,NPN,200mW,SOT-	
CP105	2901-000229	FILTER-EMI SMD;50V,300mA,-,22nF,4.5x1.8x		Q112	0501-000342	TR-SMALL SIGNAL;KSC1623-Y,NPN,200mW,SOT-	
CP106	2901-000229	FILTER-EMI SMD;50V,300mA,-,22nF,4.5x1.8x		Q113	0501-000342	TR-SMALL SIGNAL;KSC1623-Y,NPN,200mW,SOT-	
CP107	2901-000229	FILTER-EMI SMD;50V,300mA,-,22nF,4.5x1.8x		Q114	0501-000342	TR-SMALL SIGNAL;KSC1623-Y,NPN,200mW,SOT-	
CP108	2901-000232	FILTER-EMI SMD;50V,300mA,-,10nF,4.5x1.8x		Q115	0501-000342	TR-SMALL SIGNAL;KSC1623-Y,NPN,200mW,SOT-	
CP109	2901-000232	FILTER-EMI SMD;50V,300mA,-,10nF,4.5x1.8x		Q116	0501-000342	TR-SMALL SIGNAL;KSC1623-Y,NPN,200mW,SOT-	
CP110	2901-000232	FILTER-EMI SMD;50V,300mA,-,10nF,4.5x1.8x		Q117	0501-000342	TR-SMALL SIGNAL;KSC1623-Y,NPN,200mW,SOT-	
CP120	2901-000226	FILTER-EMI SMD;25V,200mA,-,100pF,3.2x1.2		Q118	0501-000342	TR-SMALL SIGNAL;KSC1623-Y,NPN,200mW,SOT-	
CP121	2901-000226	FILTER-EMI SMD;25V,200mA,-,100pF,3.2x1.2		Q119	0501-000342	TR-SMALL SIGNAL;KSC1623-Y,NPN,200mW,SOT-	
CP122	2901-000226	FILTER-EMI SMD;25V,200mA,-,100pF,3.2x1.2		Q120	0501-000342	TR-SMALL SIGNAL;KSC1623-Y,NPN,200mW,SOT-	
CP123	2901-000226	FILTER-EMI SMD;25V,200mA,-,100pF,3.2x1.2		Q121	0501-000342	TR-SMALL SIGNAL;KSC1623-Y,NPN,200mW,SOT-	
CP124	2901-000226	FILTER-EMI SMD;25V,200mA,-,100pF,3.2x1.2		Q122	0501-000342	TR-SMALL SIGNAL;KSC1623-Y,NPN,200mW,SOT-	
CP125	2901-000226	FILTER-EMI SMD;25V,200mA,-,100pF,3.2x1.2		Q123	0501-000342	TR-SMALL SIGNAL;KSC1623-Y,NPN,200mW,SOT-	
CP126	2901-000226	FILTER-EMI SMD;25V,200mA,-,100pF,3.2x1.2		Q124	0501-000342	TR-SMALL SIGNAL;KSC1623-Y,NPN,200mW,SOT-	
CP127	2901-000226	FILTER-EMI SMD;25V,200mA,-,100pF,3.2x1.2		Q125	0501-000342	TR-SMALL SIGNAL;KSC1623-Y,NPN,200mW,SOT-	
D100	0401-000003	DIODE-SWITCHING;1SS193,80V,100mA,SOT-23,		Q126	0501-000342	TR-SMALL SIGNAL;KSC1623-Y,NPN,200mW,SOT-	
D101	0405-001019	DIODE-VARACTOR;1SV262,34V,10nA,USC,TP		Q127	0501-000342	TR-SMALL SIGNAL;KSC1623-Y,NPN,200mW,SOT-	
D104	0403-000689	DIODE-ZENER;DTZ5.1A,5.1V,4.84-5.04V,200m		Q128	0501-000342	TR-SMALL SIGNAL;KSC1623-Y,NPN,200mW,SOT-	
D105	0401-000003	DIODE-SWITCHING;1SS193,80V,100mA,SOT-23,		Q129	0501-000342	TR-SMALL SIGNAL;KSC1623-Y,NPN,200mW,SOT-	
D106	0401-000003	DIODE-SWITCHING;1SS193,80V,100mA,SOT-23,		Q130	0501-000342	TR-SMALL SIGNAL;KSC1623-Y,NPN,200mW,SOT-	
D110	0401-000008	DIODE-SWITCHING;DAN217,80V,100mA,SOT-23,		Q131	0501-000342	TR-SMALL SIGNAL;KSC1623-Y,NPN,200mW,SOT-	
D111	0401-000003	DIODE-SWITCHING;1SS193,80V,100mA,SOT-23,		Q132	0501-000342	TR-SMALL SIGNAL;KSC1623-Y,NPN,200mW,SOT-	
D112	0401-000008	DIODE-SWITCHING;DAN217,80V,100mA,SOT-23,		Q133	0501-000342	TR-SMALL SIGNAL;KSC1623-Y,NPN,200mW,SOT-	
D113	0401-000003	DIODE-SWITCHING;1SS193,80V,100mA,SOT-23,		Q134	0501-000342	TR-SMALL SIGNAL;KSC1623-Y,NPN,200mW,SOT-	
D114	0401-000008	DIODE-SWITCHING;DAN217,80V,100mA,SOT-23,		Q135	0501-000342	TR-SMALL SIGNAL;KSC1623-Y,NPN,200mW,SOT-	
D115	0401-000003	DIODE-SWITCHING;1SS193,80V,100mA,SOT-23,		Q136	0501-000342	TR-SMALL SIGNAL;KSC1623-Y,NPN,200mW,SOT-	
D116	0401-000003	DIODE-SWITCHING;1SS193,80V,100mA,SOT-23,		Q137	0501-000342	TR-SMALL SIGNAL;KSC1623-Y,NPN,200mW,SOT-	
D117	0401-000003	DIODE-SWITCHING;1SS193,80V,100mA,SOT-23,		Q138	0501-000280	TR-SMALL SIGNAL;KSA1182,PNP,150mW,SOT-23	

Loc. No.	Code No.	Description : Specification	Remark	Loc. No.	Code No.	Description : Specification	Remark
Q139	0501-000280	TR-SMALL SIGNAL;KSA1182,PNP,150mW,SOT-23		R203	2007-000290	R-CHIP;100OHM,5%,1/10W,DA,TP,2012	
Q140	0501-000280	TR-SMALL SIGNAL;KSA1182,PNP,150mW,SOT-23		R204	2007-000468	R-CHIP;1KOHM,5%,1/10W,DA,TP,2012	
Q141	0501-000280	TR-SMALL SIGNAL;KSA1182,PNP,150mW,SOT-23		R205	2007-000290	R-CHIP;100OHM,5%,1/10W,DA,TP,2012	
Q142	0501-000280	TR-SMALL SIGNAL;KSA1182,PNP,150mW,SOT-23		R206	2007-000468	R-CHIP;1KOHM,5%,1/10W,DA,TP,2012	
Q143	0501-000280	TR-SMALL SIGNAL;KSA1182,PNP,150mW,SOT-23		R207	2007-000290	R-CHIP;100OHM,5%,1/10W,DA,TP,2012	
Q144	0501-000280	TR-SMALL SIGNAL;KSA1182,PNP,150mW,SOT-23		R208	2007-000468	R-CHIP;1KOHM,5%,1/10W,DA,TP,2012	
Q146	0501-000342	TR-SMALL SIGNAL;KSC1623-Y,NPN,200mW,SOT-23		R209	2003-001038	R-METAL OXIDE(S);4.7ohm,5%,2W,AF,TP,3.9x	
Q200	0505-000257	FET-SILICON;2SK217,N-,20mA-,150mW,SOT-23		R210	2003-001038	R-METAL OXIDE(S);4.7ohm,5%,2W,AF,TP,3.9x	
Q201	0505-000257	FET-SILICON;2SK217,N-,20mA-,150mW,SOT-23		R211	2003-001038	R-METAL OXIDE(S);4.7ohm,5%,2W,AF,TP,3.9x	
Q202	0505-000257	FET-SILICON;2SK217,N-,20mA-,150mW,SOT-23		R212	2007-000030	R-CHIP;560OHM,5%,1/10W,DA,TP,2012	
Q203	0505-000257	FET-SILICON;2SK217,N-,20mA-,150mW,SOT-23		R213	2007-000290	R-CHIP;100OHM,5%,1/10W,DA,TP,2012	
Q204	0505-000257	FET-SILICON;2SK217,N-,20mA-,150mW,SOT-23		R214	2007-000981	R-CHIP;5.6KOHM,5%,1/10W,DA,TP,2012	
Q205	0505-000257	FET-SILICON;2SK217,N-,20mA-,150mW,SOT-23		R215	2007-000872	R-CHIP;4.7KOHM,5%,1/10W,DA,TP,2012	
R100	2007-000282	R-CHIP;100KOHM,5%,1/10W,DA,TP,2012		R216	2007-000030	R-CHIP;560OHM,5%,1/10W,DA,TP,2012	
R101	2007-000282	R-CHIP;100KOHM,5%,1/10W,DA,TP,2012		R217	2007-000290	R-CHIP;100OHM,5%,1/10W,DA,TP,2012	
R102	2007-000468	R-CHIP;1KOHM,5%,1/10W,DA,TP,2012		R218	2007-000981	R-CHIP;5.6KOHM,5%,1/10W,DA,TP,2012	
R103	2007-000468	R-CHIP;1KOHM,5%,1/10W,DA,TP,2012		R219	2007-000872	R-CHIP;4.7KOHM,5%,1/10W,DA,TP,2012	
R104	2007-000468	R-CHIP;1KOHM,5%,1/10W,DA,TP,2012		R220	2007-000030	R-CHIP;560OHM,5%,1/10W,DA,TP,2012	
R105	2007-000586	R-CHIP;22KOHM,5%,1/10W,DA,TP,2012		R221	2007-000290	R-CHIP;100OHM,5%,1/10W,DA,TP,2012	
R106	2007-000468	R-CHIP;1KOHM,5%,1/10W,DA,TP,2012		R222	2007-000981	R-CHIP;5.6KOHM,5%,1/10W,DA,TP,2012	
R107	2007-000468	R-CHIP;1KOHM,5%,1/10W,DA,TP,2012		R223	2007-000872	R-CHIP;4.7KOHM,5%,1/10W,DA,TP,2012	
R108	2007-000468	R-CHIP;1KOHM,5%,1/10W,DA,TP,2012		R224	2007-000030	R-CHIP;560OHM,5%,1/10W,DA,TP,2012	
R109	2007-000844	R-CHIP;3KOHM,5%,1/10W,DA,TP,2012		R225	2007-000290	R-CHIP;100OHM,5%,1/10W,DA,TP,2012	
R110	2007-000409	R-CHIP;15KOHM,5%,1/10W,DA,TP,2012		R226	2007-000981	R-CHIP;5.6KOHM,5%,1/10W,DA,TP,2012	
R111	2007-000572	R-CHIP;220OHM,5%,1/10W,DA,TP,2012		R227	2007-000872	R-CHIP;4.7KOHM,5%,1/10W,DA,TP,2012	
R112	2007-000409	R-CHIP;15KOHM,5%,1/10W,DA,TP,2012		R228	2007-000030	R-CHIP;560OHM,5%,1/10W,DA,TP,2012	
R113	2007-000468	R-CHIP;1KOHM,5%,1/10W,DA,TP,2012		R229	2007-000290	R-CHIP;100OHM,5%,1/10W,DA,TP,2012	
R114	2007-000586	R-CHIP;22KOHM,5%,1/10W,DA,TP,2012		R230	2007-000981	R-CHIP;5.6KOHM,5%,1/10W,DA,TP,2012	
R115	2007-000830	R-CHIP;39KOHM,5%,1/10W,DA,TP,2012		R231	2007-000872	R-CHIP;4.7KOHM,5%,1/10W,DA,TP,2012	
R116	2007-000468	R-CHIP;1KOHM,5%,1/10W,DA,TP,2012		R232	2007-000030	R-CHIP;560OHM,5%,1/10W,DA,TP,2012	
R118	2007-000830	R-CHIP;39KOHM,5%,1/10W,DA,TP,2012		R233	2007-000290	R-CHIP;100OHM,5%,1/10W,DA,TP,2012	
R119	2007-000586	R-CHIP;22KOHM,5%,1/10W,DA,TP,2012		R234	2007-000981	R-CHIP;5.6KOHM,5%,1/10W,DA,TP,2012	
R120	2007-000415	R-CHIP;150OHM,5%,1/10W,DA,TP,2012		R235	2007-000872	R-CHIP;4.7KOHM,5%,1/10W,DA,TP,2012	
R121	2007-001071	R-CHIP;6.8KOHM,5%,1/10W,DA,TP,2012		R236	2007-000586	R-CHIP;22KOHM,5%,1/10W,DA,TP,2012	
R122	2007-000586	R-CHIP;22KOHM,5%,1/10W,DA,TP,2012		R237	2007-000300	R-CHIP;10KOHM,5%,1/10W,DA,TP,2012	
R123	2007-000282	R-CHIP;100KOHM,5%,1/10W,DA,TP,2012		R238	2007-001039	R-CHIP;56KOHM,5%,1/10W,DA,TP,2012	
R125	2007-000586	R-CHIP;22KOHM,5%,1/10W,DA,TP,2012		R239	2007-000030	R-CHIP;560OHM,5%,1/10W,DA,TP,2012	
R130	2007-000872	R-CHIP;4.7KOHM,5%,1/10W,DA,TP,2012		R240	2007-000300	R-CHIP;10KOHM,5%,1/10W,DA,TP,2012	
R131	2007-000872	R-CHIP;4.7KOHM,5%,1/10W,DA,TP,2012		R241	2007-001039	R-CHIP;56KOHM,5%,1/10W,DA,TP,2012	
R132	2007-000872	R-CHIP;4.7KOHM,5%,1/10W,DA,TP,2012		R242	2007-000468	R-CHIP;1KOHM,5%,1/10W,DA,TP,2012	
R133	2007-000872	R-CHIP;4.7KOHM,5%,1/10W,DA,TP,2012		R243	2007-000300	R-CHIP;10KOHM,5%,1/10W,DA,TP,2012	
R134	2007-000872	R-CHIP;4.7KOHM,5%,1/10W,DA,TP,2012		R244	2007-001039	R-CHIP;56KOHM,5%,1/10W,DA,TP,2012	
R135	2007-000872	R-CHIP;4.7KOHM,5%,1/10W,DA,TP,2012		R245	2007-000030	R-CHIP;560OHM,5%,1/10W,DA,TP,2012	
R136	2007-000872	R-CHIP;4.7KOHM,5%,1/10W,DA,TP,2012		R246	2007-000300	R-CHIP;10KOHM,5%,1/10W,DA,TP,2012	
R137	2007-000872	R-CHIP;4.7KOHM,5%,1/10W,DA,TP,2012		R247	2007-001039	R-CHIP;56KOHM,5%,1/10W,DA,TP,2012	
R138	2007-000468	R-CHIP;1KOHM,5%,1/10W,DA,TP,2012		R248	2007-000030	R-CHIP;560OHM,5%,1/10W,DA,TP,2012	
R139	2007-001097	R-CHIP;62KOHM,5%,1/10W,DA,TP,2012		R249	2007-000300	R-CHIP;10KOHM,5%,1/10W,DA,TP,2012	
R142	2007-000300	R-CHIP;10KOHM,5%,1/10W,DA,TP,2012		R250	2007-001039	R-CHIP;56KOHM,5%,1/10W,DA,TP,2012	
R159	2007-000221	R-CHIP;1.2KOHM,5%,1/10W,DA,TP,2012		R251	2007-000030	R-CHIP;560OHM,5%,1/10W,DA,TP,2012	
R160	2007-000300	R-CHIP;10KOHM,5%,1/10W,DA,TP,2012		R252	2007-000300	R-CHIP;10KOHM,5%,1/10W,DA,TP,2012	
R162	2007-000468	R-CHIP;1KOHM,5%,1/10W,DA,TP,2012		R253	2007-001039	R-CHIP;56KOHM,5%,1/10W,DA,TP,2012	
R164	2007-000300	R-CHIP;10KOHM,5%,1/10W,DA,TP,2012		R254	2007-000468	R-CHIP;1KOHM,5%,1/10W,DA,TP,2012	
R165	2007-000380	R-CHIP;13KOHM,5%,1/10W,DA,TP,2012		R255	2007-000300	R-CHIP;10KOHM,5%,1/10W,DA,TP,2012	
R167	2007-000029	R-CHIP;00HM,5%,1/10W,DA,TP,2012		R256	2007-000468	R-CHIP;1KOHM,5%,1/10W,DA,TP,2012	
R169	2007-000029	R-CHIP;00HM,5%,1/10W,DA,TP,2012		R257	2007-000468	R-CHIP;1KOHM,5%,1/10W,DA,TP,2012	
R181	2007-000221	R-CHIP;1.2KOHM,5%,1/10W,DA,TP,2012		R258	2007-000586	R-CHIP;22KOHM,5%,1/10W,DA,TP,2012	
R182	2007-000468	R-CHIP;1KOHM,5%,1/10W,DA,TP,2012		R259	2007-000300	R-CHIP;10KOHM,5%,1/10W,DA,TP,2012	
R183	2007-000686	R-CHIP;3.3KOHM,5%,1/10W,DA,TP,2012		R260	2007-000703	R-CHIP;3.6KOHM,5%,1/10W,DA,TP,2012	
R184	2007-000468	R-CHIP;1KOHM,5%,1/10W,DA,TP,2012		R261	2007-001118	R-CHIP;680OHM,5%,1/10W,DA,TP,2012	
R185	2007-000468	R-CHIP;1KOHM,5%,1/10W,DA,TP,2012		R262	2007-000981	R-CHIP;5.6KOHM,5%,1/10W,DA,TP,2012	
R186	2007-000221	R-CHIP;1.2KOHM,5%,1/10W,DA,TP,2012		R263	2007-000300	R-CHIP;10KOHM,5%,1/10W,DA,TP,2012	
R187	2007-000468	R-CHIP;1KOHM,5%,1/10W,DA,TP,2012		R264	2007-000703	R-CHIP;3.6KOHM,5%,1/10W,DA,TP,2012	
R188	2007-000686	R-CHIP;3.3KOHM,5%,1/10W,DA,TP,2012		R265	2007-001118	R-CHIP;680OHM,5%,1/10W,DA,TP,2012	
R189	2007-000468	R-CHIP;1KOHM,5%,1/10W,DA,TP,2012		R266	2007-000981	R-CHIP;5.6KOHM,5%,1/10W,DA,TP,2012	
R190	2007-000468	R-CHIP;1KOHM,5%,1/10W,DA,TP,2012		R267	2007-000703	R-CHIP;3.6KOHM,5%,1/10W,DA,TP,2012	
R191	2007-000221	R-CHIP;1.2KOHM,5%,1/10W,DA,TP,2012		R268	2007-001118	R-CHIP;680OHM,5%,1/10W,DA,TP,2012	
R192	2007-000468	R-CHIP;1KOHM,5%,1/10W,DA,TP,2012		R269	2007-000981	R-CHIP;5.6KOHM,5%,1/10W,DA,TP,2012	
R193	2007-000686	R-CHIP;3.3KOHM,5%,1/10W,DA,TP,2012		R270	2007-000300	R-CHIP;10KOHM,5%,1/10W,DA,TP,2012	
R194	2007-000468	R-CHIP;1KOHM,5%,1/10W,DA,TP,2012		R271	2007-000703	R-CHIP;3.6KOHM,5%,1/10W,DA,TP,2012	
R195	2007-000468	R-CHIP;1KOHM,5%,1/10W,DA,TP,2012		R272	2007-001118	R-CHIP;680OHM,5%,1/10W,DA,TP,2012	
R196	2007-000300	R-CHIP;10KOHM,5%,1/10W,DA,TP,2012		R273	2007-000981	R-CHIP;5.6KOHM,5%,1/10W,DA,TP,2012	
R197	2007-000290	R-CHIP;100OHM,5%,1/10W,DA,TP,2012		R274	2007-000703	R-CHIP;3.6KOHM,5%,1/10W,DA,TP,2012	
R198	2007-000468	R-CHIP;1KOHM,5%,1/10W,DA,TP,2012		R275	2007-001118	R-CHIP;680OHM,5%,1/10W,DA,TP,2012	
R199	2007-000290	R-CHIP;100OHM,5%,1/10W,DA,TP,2012		R276	2007-000981	R-CHIP;5.6KOHM,5%,1/10W,DA,TP,2012	
R200	2007-000468	R-CHIP;1KOHM,5%,1/10W,DA,TP,2012		R277	2007-000300	R-CHIP;10KOHM,5%,1/10W,DA,TP,2012	
R201	2007-000290	R-CHIP;100OHM,5%,1/10W,DA,TP,2012		R278	2007-000703	R-CHIP;3.6KOHM,5%,1/10W,DA,TP,2012	
R202	2007-000468	R-CHIP;1KOHM,5%,1/10W,DA,TP,2012		R279	2007-001118	R-CHIP;680OHM,5%,1/10W,DA,TP,2012	

Loc. No.	Code No.	Description : Specification	Remark	Loc. No.	Code No.	Description : Specification	Remark
R280	2007-000981	R-CHIP;5.6KOHM,5%,1/10W,DA,TP,2012					
R281	2007-000300	R-CHIP;10KOHM,5%,1/10W,DA,TP,2012					
R282	2007-000282	R-CHIP;10KOHM,5%,1/10W,DA,TP,2012					
R283	2007-000355	R-CHIP;12KOHM,5%,1/10W,DA,TP,2012					
R284	2007-000468	R-CHIP;1KOHM,5%,1/10W,DA,TP,2012					
R285	2007-000355	R-CHIP;12KOHM,5%,1/10W,DA,TP,2012					
R286	2007-000468	R-CHIP;1KOHM,5%,1/10W,DA,TP,2012					
R287	2007-000300	R-CHIP;10KOHM,5%,1/10W,DA,TP,2012					
R288	2007-000355	R-CHIP;12KOHM,5%,1/10W,DA,TP,2012					
R289	2007-000468	R-CHIP;1KOHM,5%,1/10W,DA,TP,2012					
R290	2007-000355	R-CHIP;12KOHM,5%,1/10W,DA,TP,2012					
R291	2007-000468	R-CHIP;1KOHM,5%,1/10W,DA,TP,2012					
R292	2007-000300	R-CHIP;10KOHM,5%,1/10W,DA,TP,2012					
R293	2007-000355	R-CHIP;12KOHM,5%,1/10W,DA,TP,2012					
R294	2007-000468	R-CHIP;1KOHM,5%,1/10W,DA,TP,2012					
R295	2007-000355	R-CHIP;12KOHM,5%,1/10W,DA,TP,2012					
R296	2007-000468	R-CHIP;1KOHM,5%,1/10W,DA,TP,2012					
R297	2007-000300	R-CHIP;10KOHM,5%,1/10W,DA,TP,2012					
R302	2007-000029	R-CHIP;0OHM,5%,1/10W,DA,TP,2012					
R310	2007-000300	R-CHIP;10KOHM,5%,1/10W,DA,TP,2012					
R311	2007-000290	R-CHIP;100OHM,5%,1/10W,DA,TP,2012					
R312	2007-000290	R-CHIP;100OHM,5%,1/10W,DA,TP,2012					
R313	2007-000300	R-CHIP;10KOHM,5%,1/10W,DA,TP,2012					
R314	2007-000290	R-CHIP;100OHM,5%,1/10W,DA,TP,2012					
R315	2007-000290	R-CHIP;100OHM,5%,1/10W,DA,TP,2012					
R316	2007-000300	R-CHIP;10KOHM,5%,1/10W,DA,TP,2012					
R320	2007-000290	R-CHIP;100OHM,5%,1/10W,DA,TP,2012					
R321	2007-000290	R-CHIP;100OHM,5%,1/10W,DA,TP,2012					
R322	2007-000872	R-CHIP;4.7KOHM,5%,1/10W,DA,TP,2012					
R324	2007-000029	R-CHIP;0OHM,5%,1/10W,DA,TP,2012					
R328	2007-000029	R-CHIP;0OHM,5%,1/10W,DA,TP,2012					
R330	2007-000774	R-CHIP;33KOHM,5%,1/10W,DA,TP,2012					
R331	2007-000029	R-CHIP;0OHM,5%,1/10W,DA,TP,2012					
R332	2007-000029	R-CHIP;0OHM,5%,1/10W,DA,TP,2012					
R343	2007-000029	R-CHIP;0OHM,5%,1/10W,DA,TP,2012					
R346	2007-000029	R-CHIP;0OHM,5%,1/10W,DA,TP,2012					
CASES	AA63-40305A	SHIELD-CASE; SPT, TO 5, APT52A,-					
SODERC	0202-001004	SOLDER-CREAM;SQ-2030M SZH-1,S63A,DD.04,6					
VR124	2103-000669	VR-SEMI;10Kohm,25%,1/5W,TOP					
X1	2801-001476	CRYSTAL-UNIT;12.0MHz,50ppm,28-ABQ,S,30oh					

REMOCON

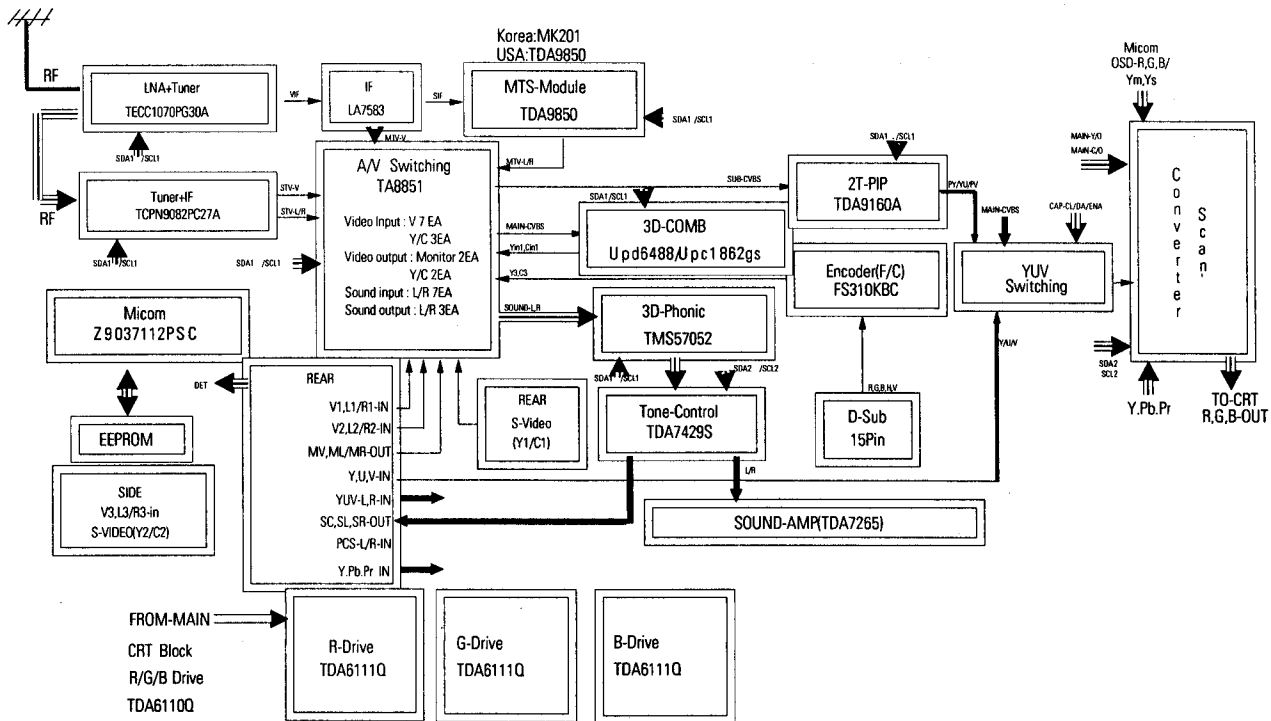
*AA59-00055AREMOCON;- TM57,KS88P0416S,51,U/GRAY,S/



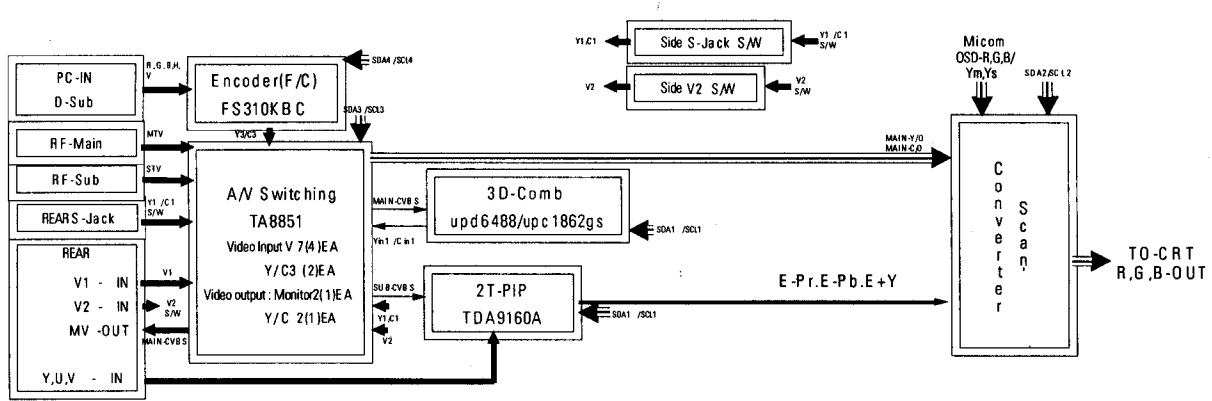
ICMCU AA13-00062AIC-MCU;Z86L8808SSC-R4385,#N/A,ST,-28
 RESTOR 2802-000194 RESONATOR-CERAMIC;8MHz,1.0%,TP,8.5x4.5x5

8. Block Diagrams

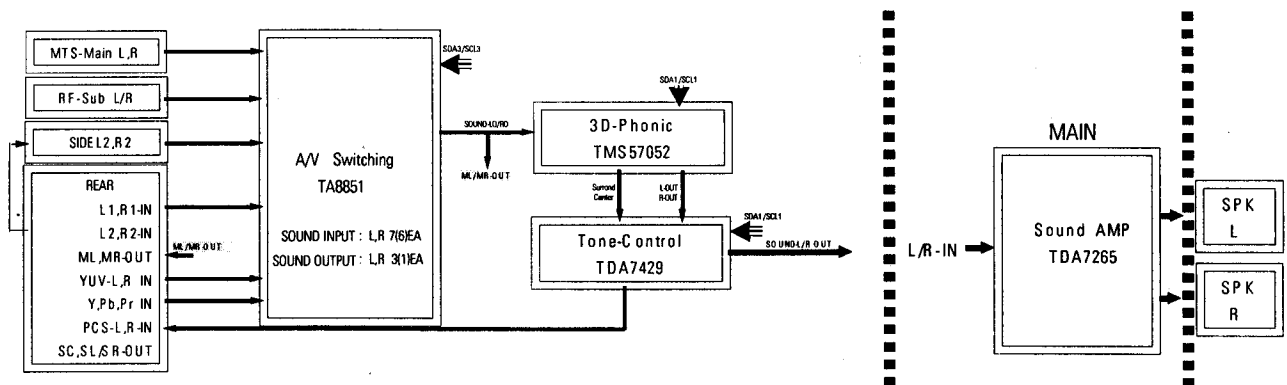
8-1 Main Signal



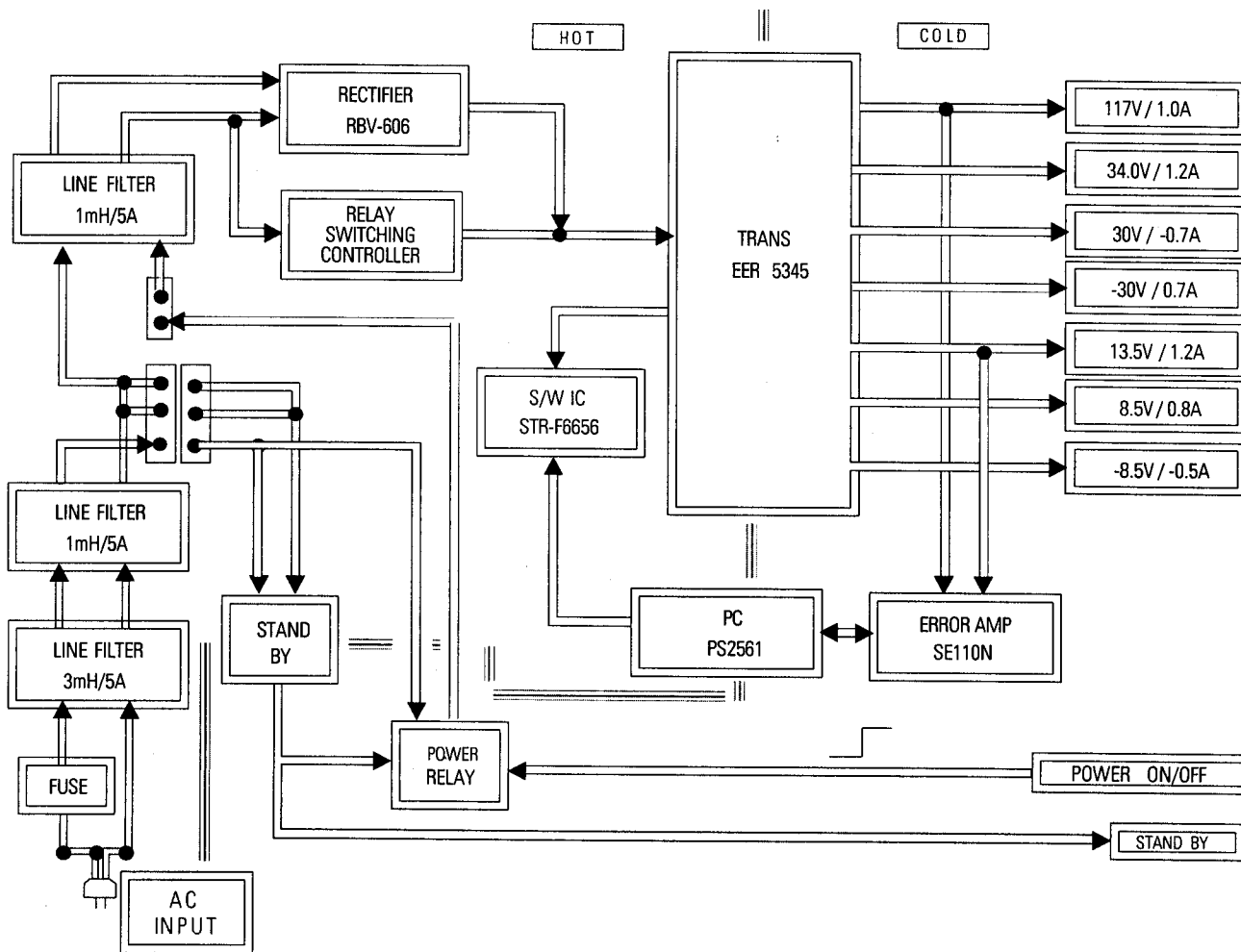
8-2 VIDEO SIGNAL



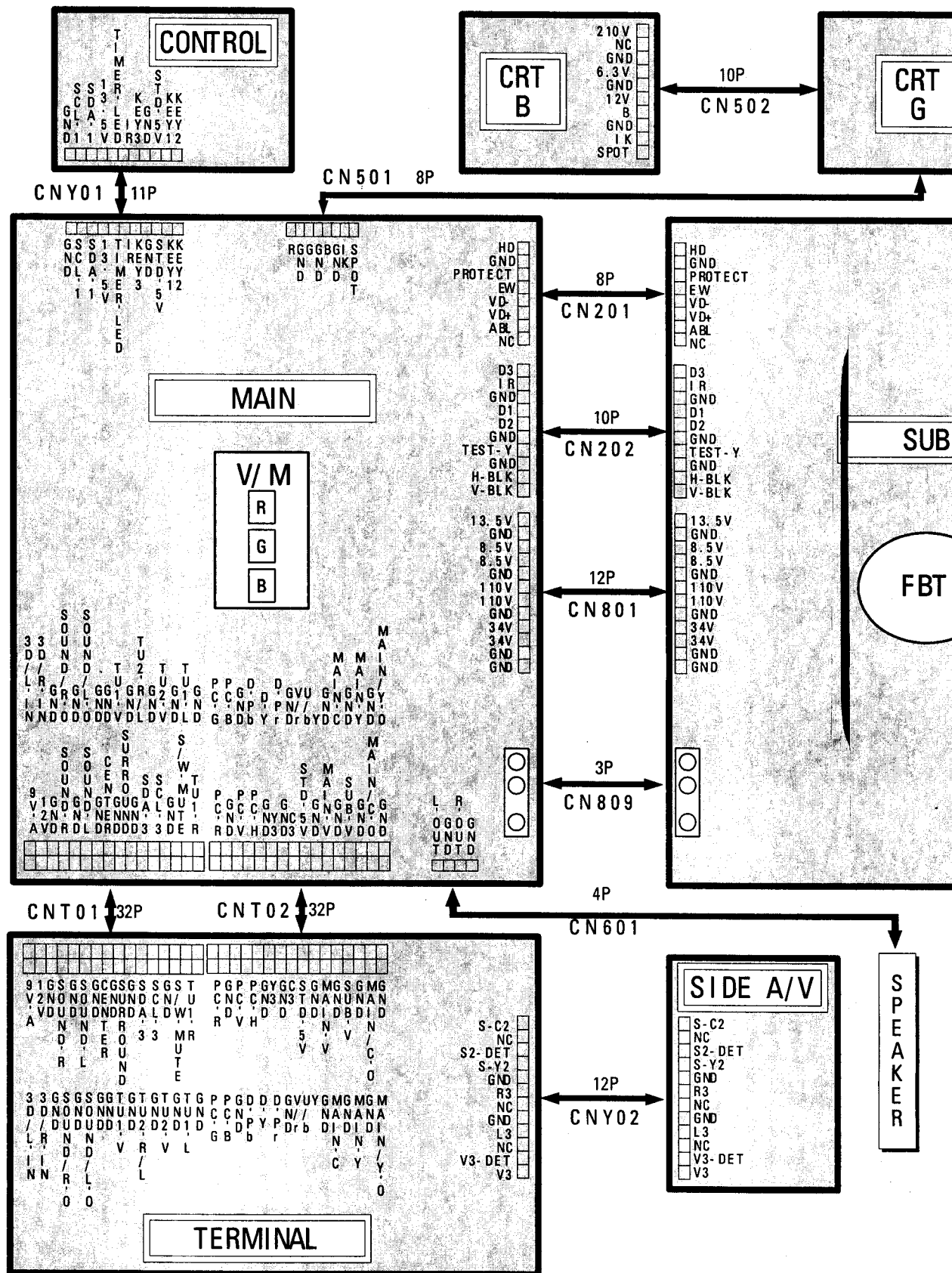
8-3 Sound SIGNAL

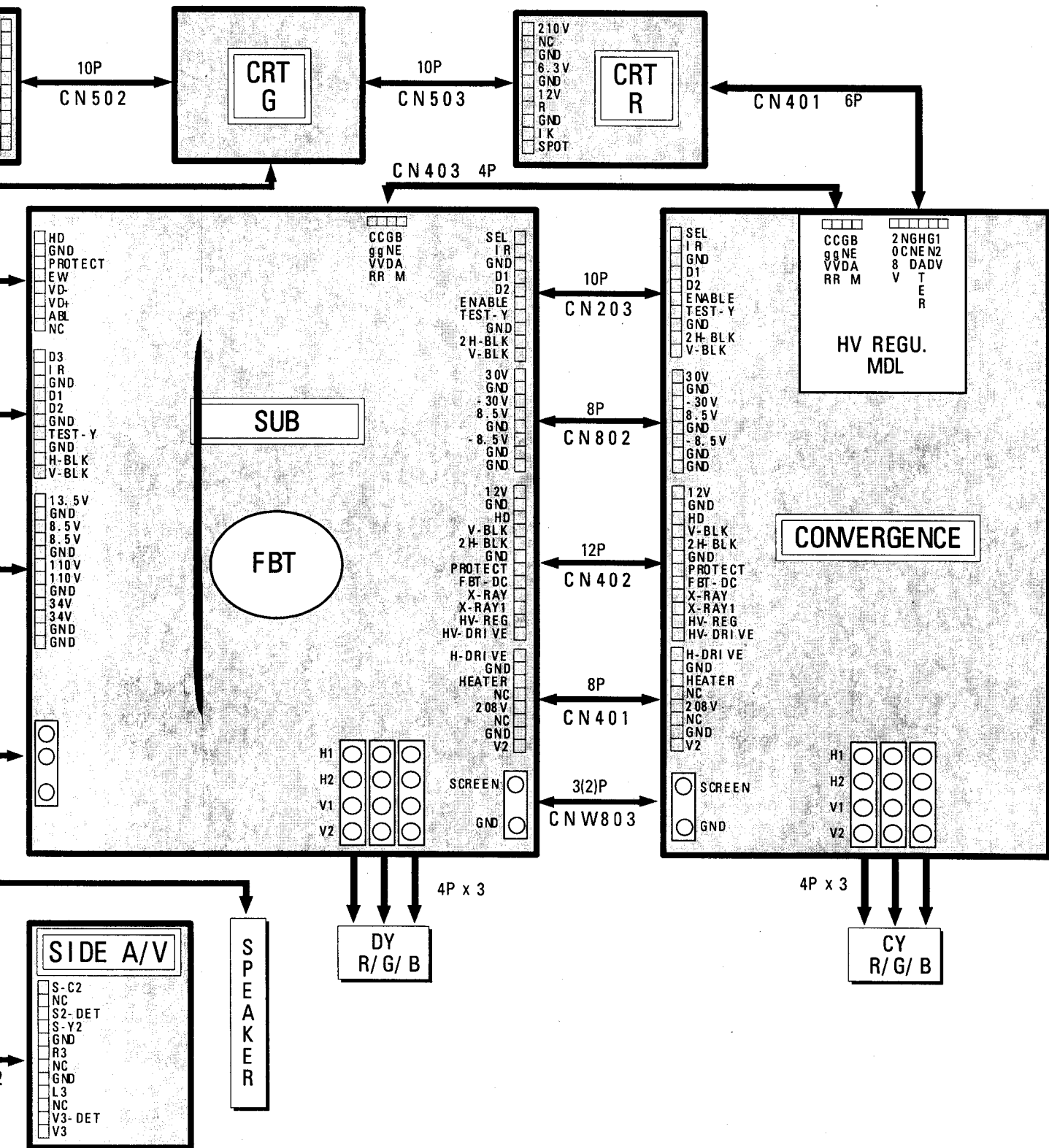


8-4 POWER SUPPLY



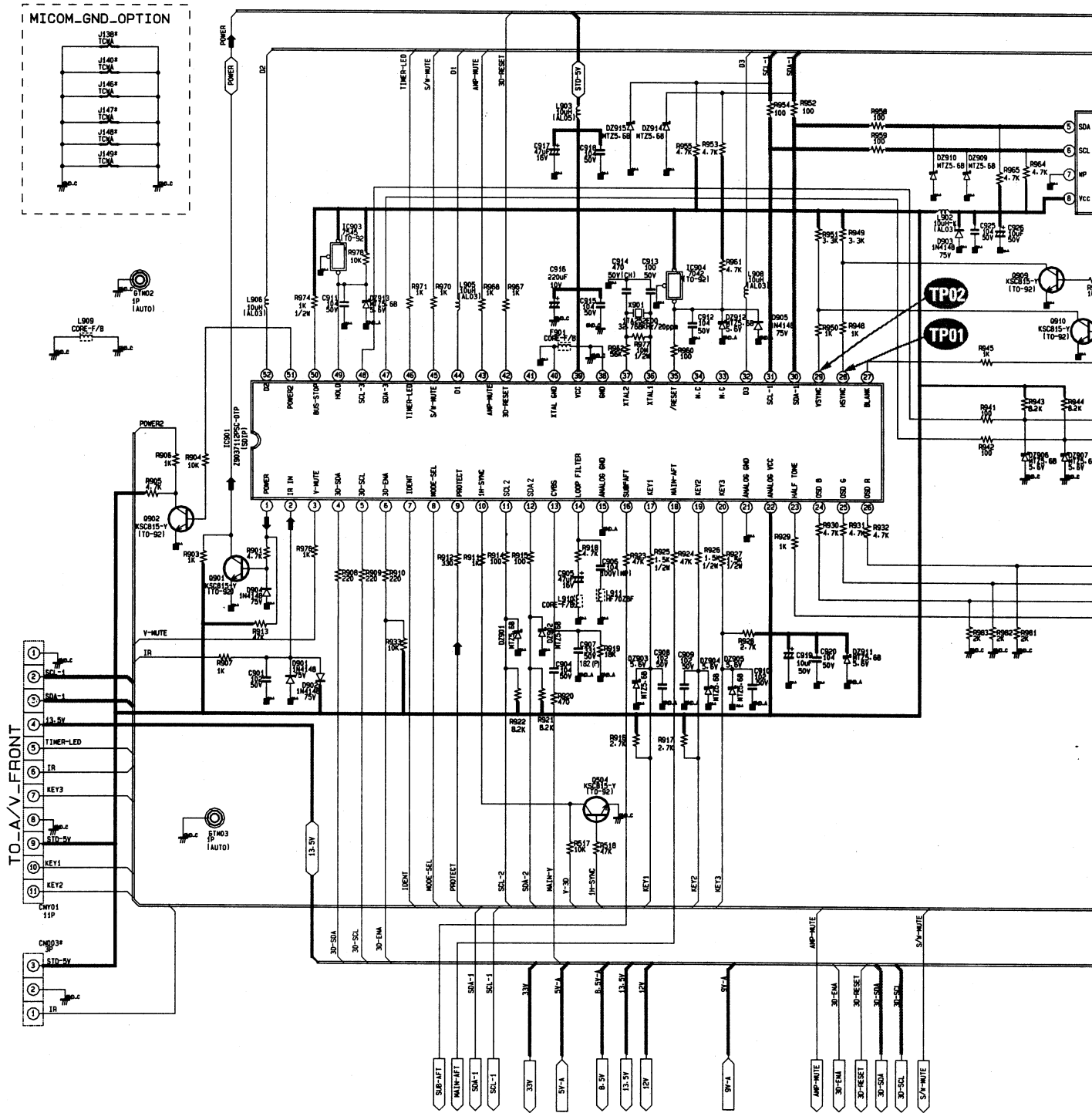
9. Wiring Diagram

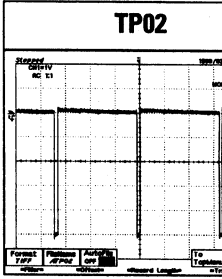
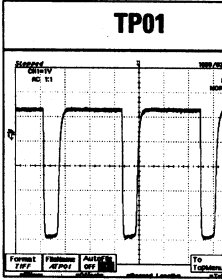
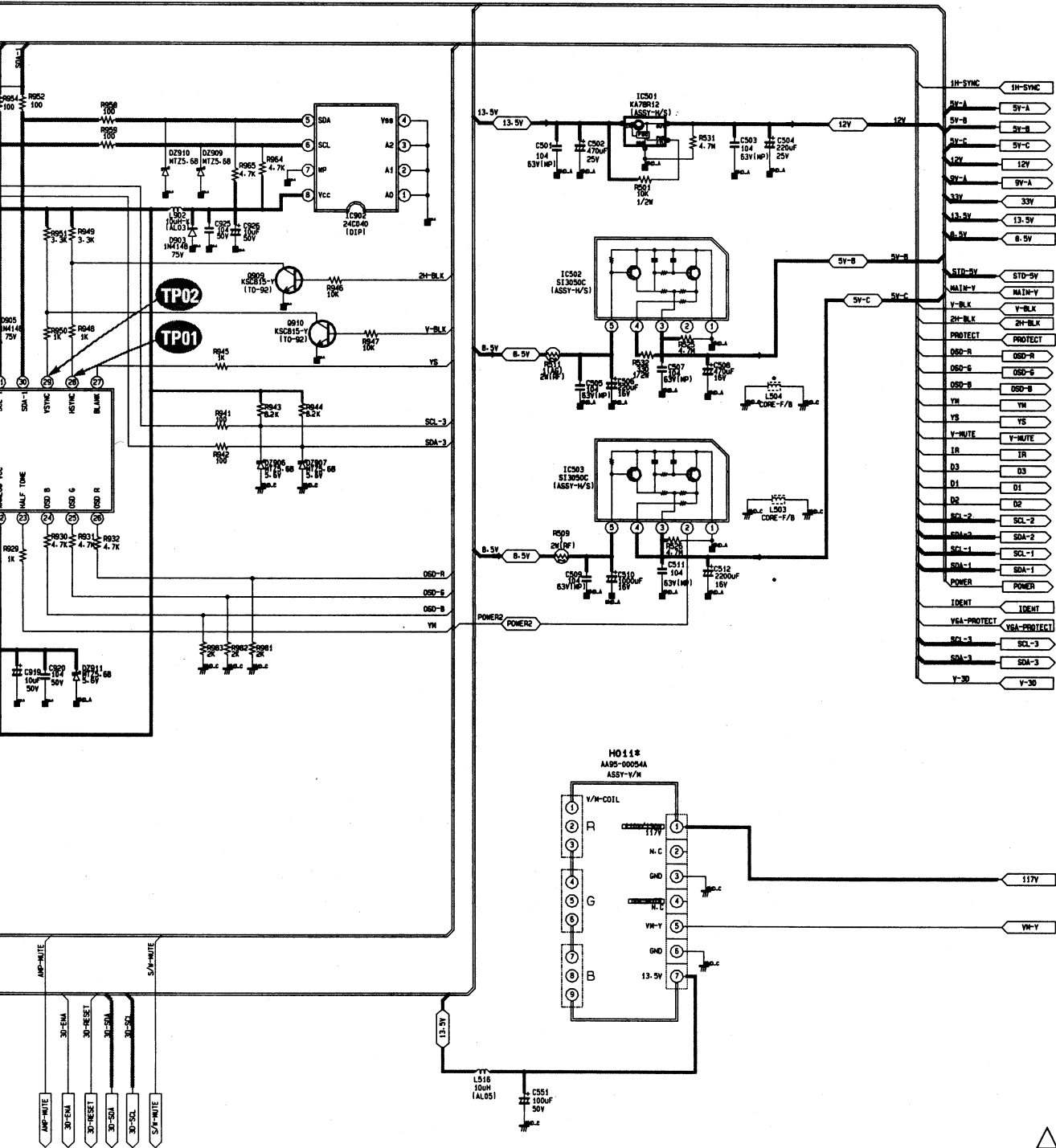




10. Schematic Diagrams

10-1 MAIN A

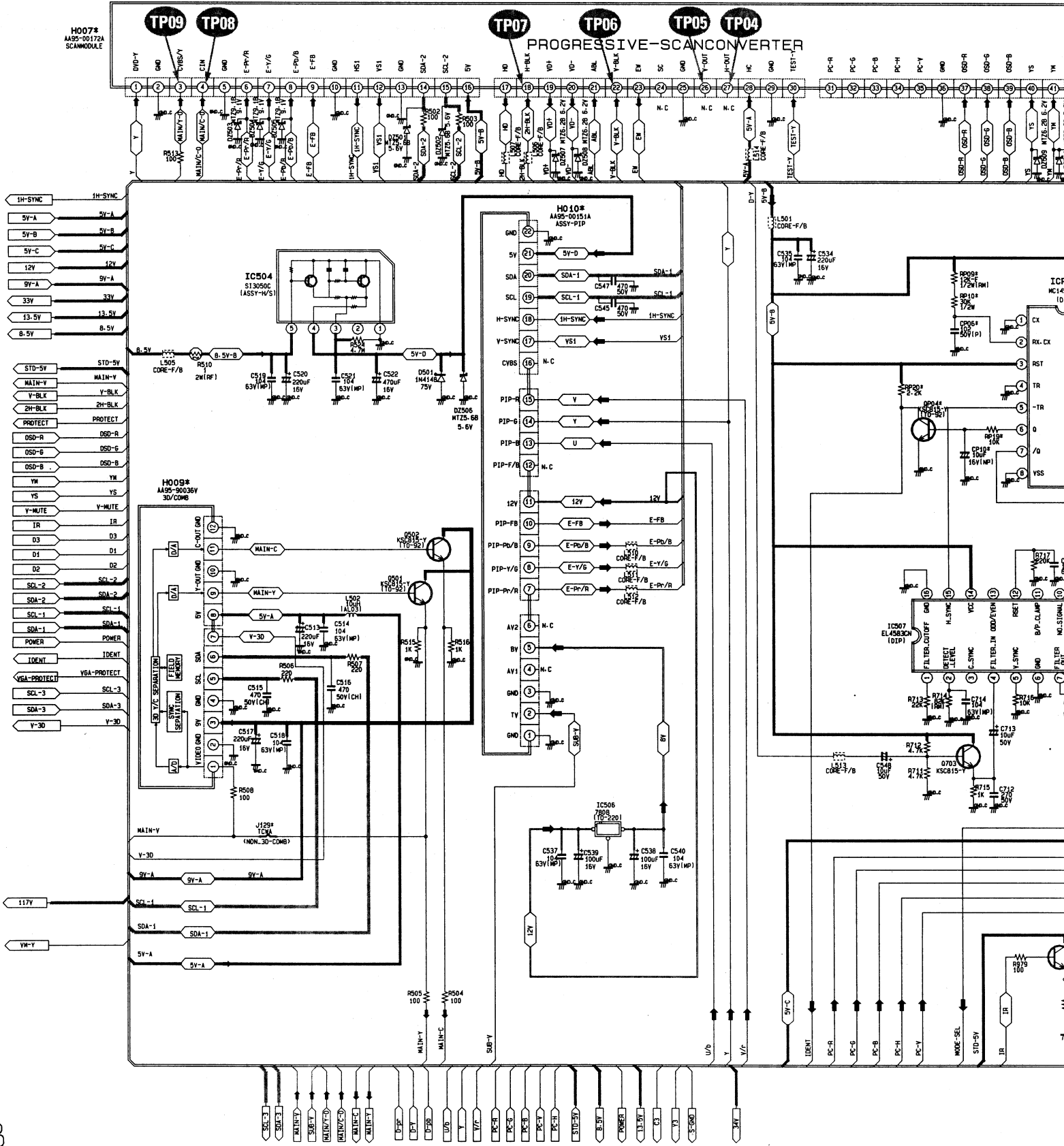


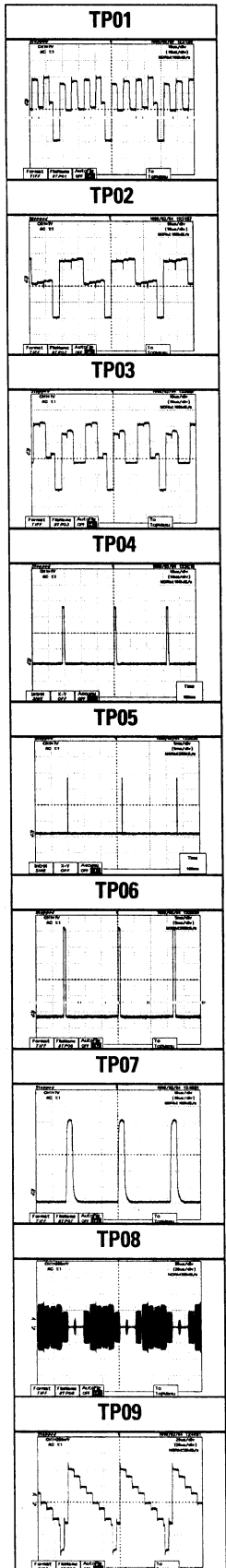
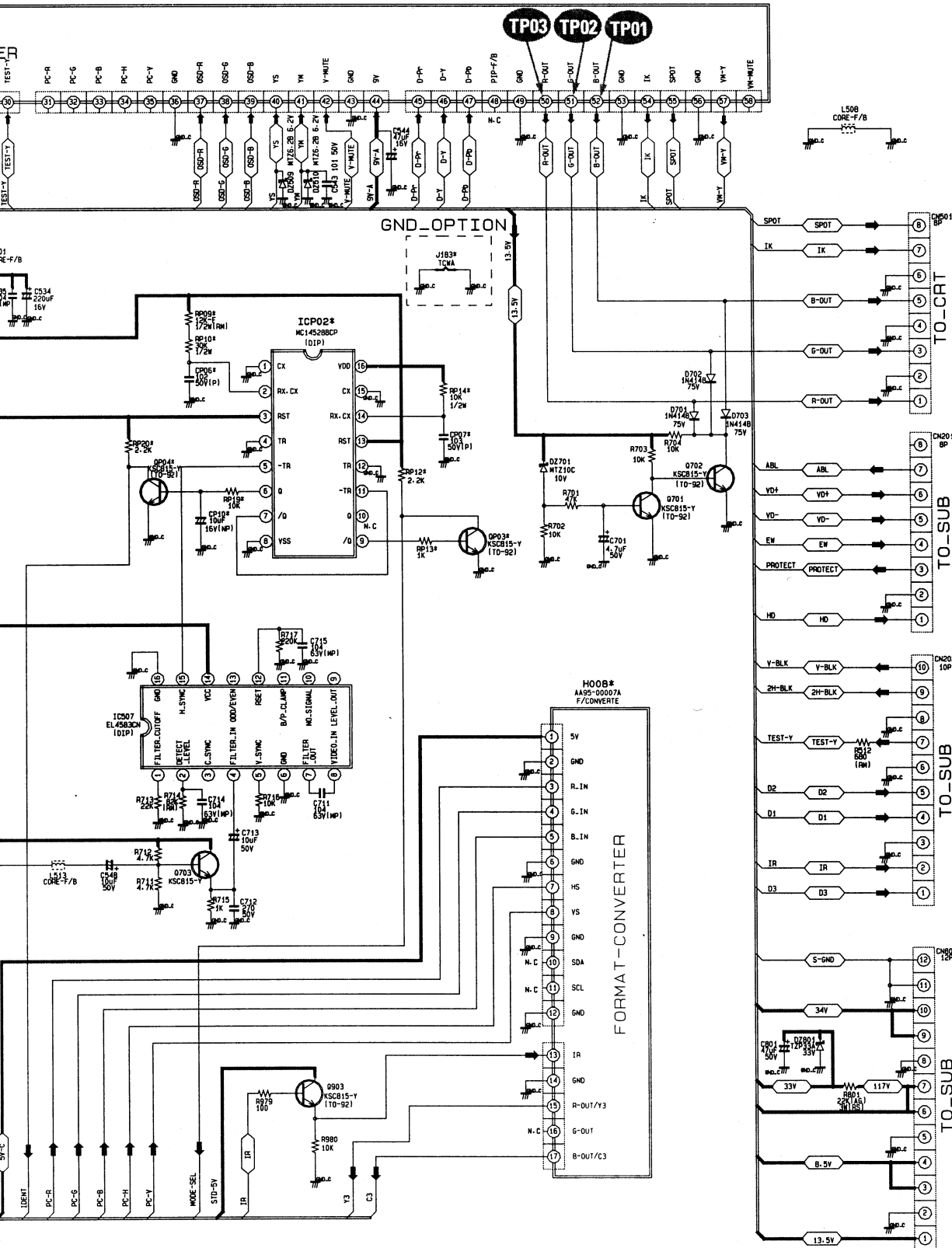


A

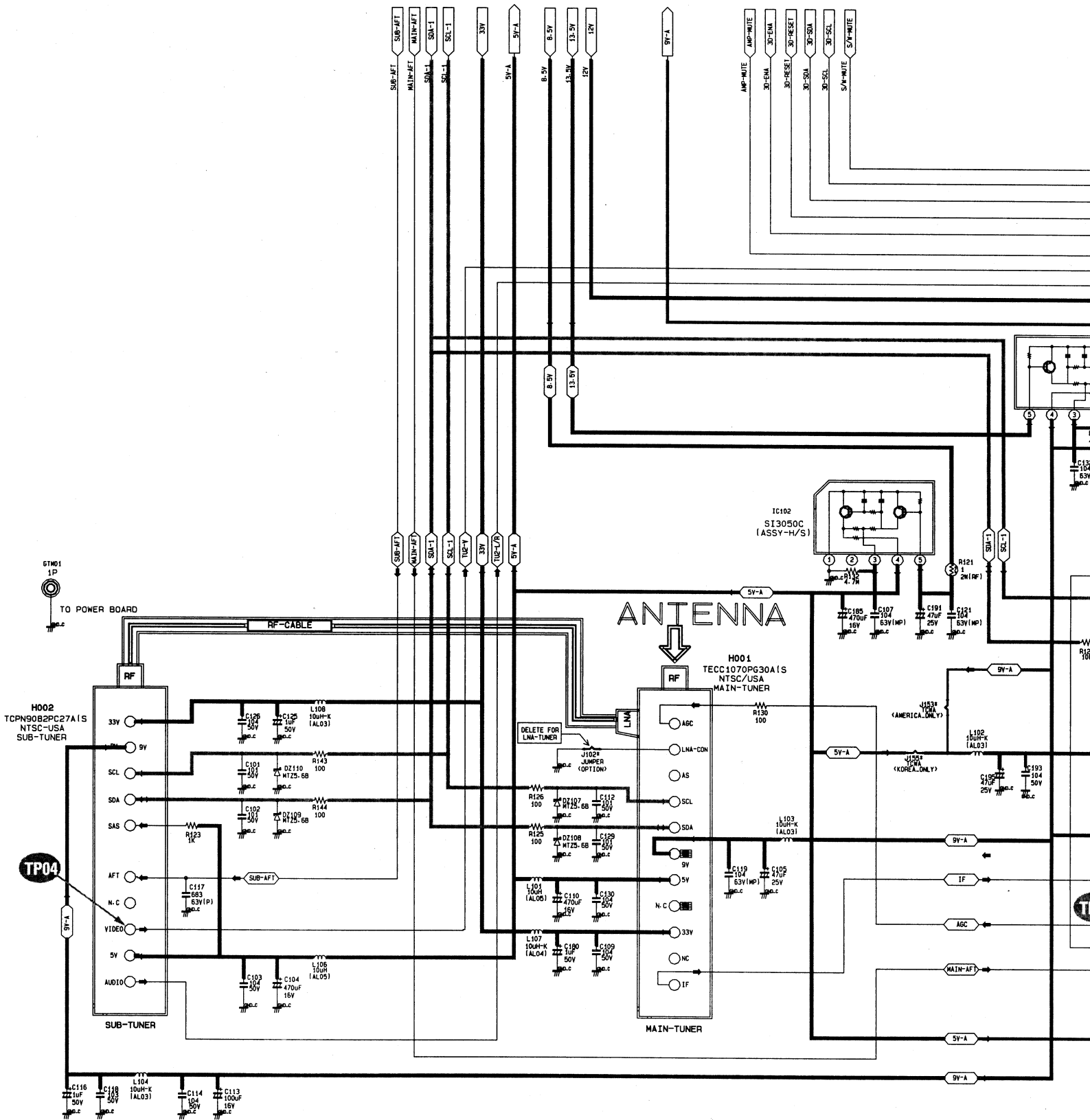
Power Line
Signal Line

10-2 MAIN B

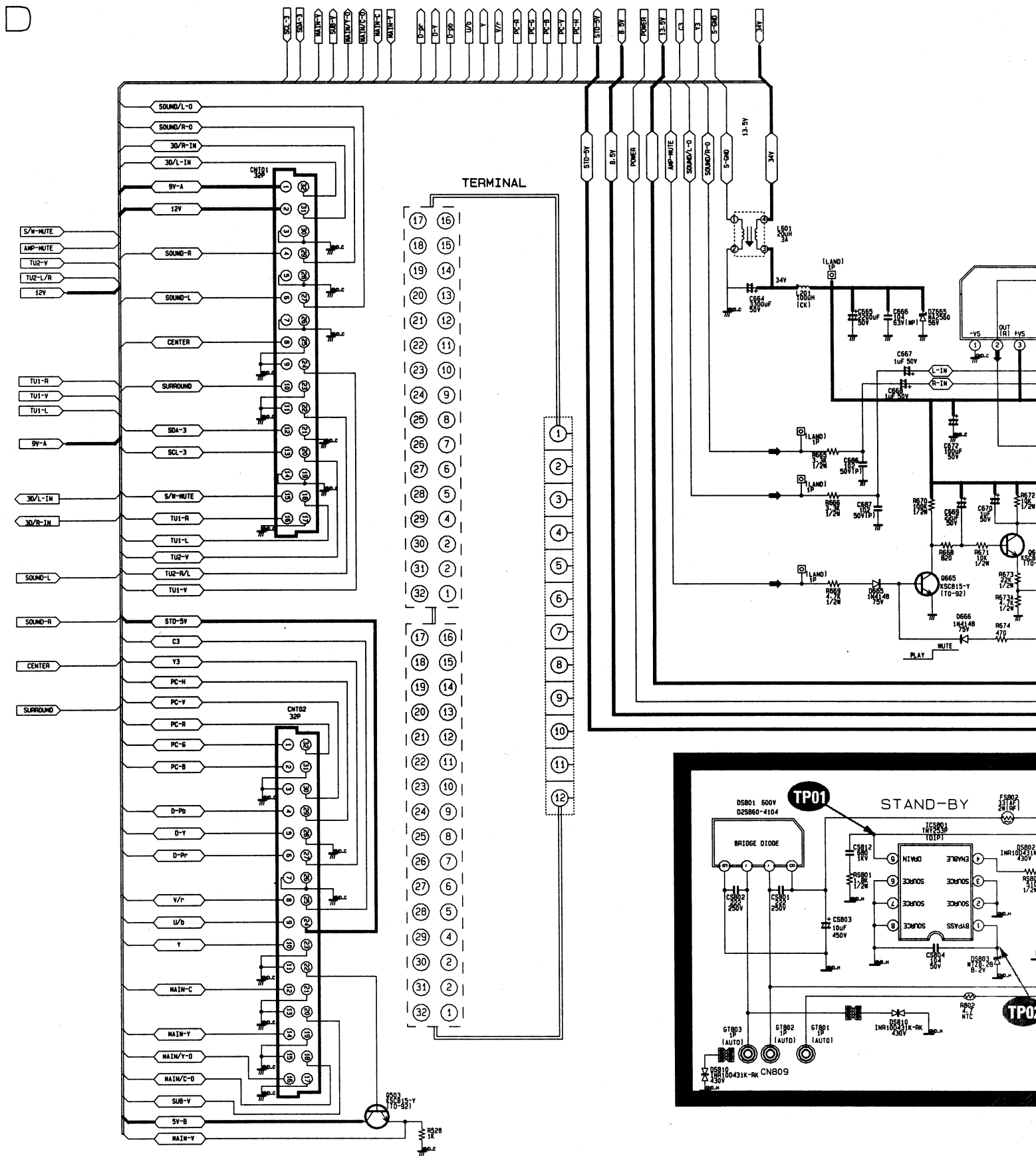


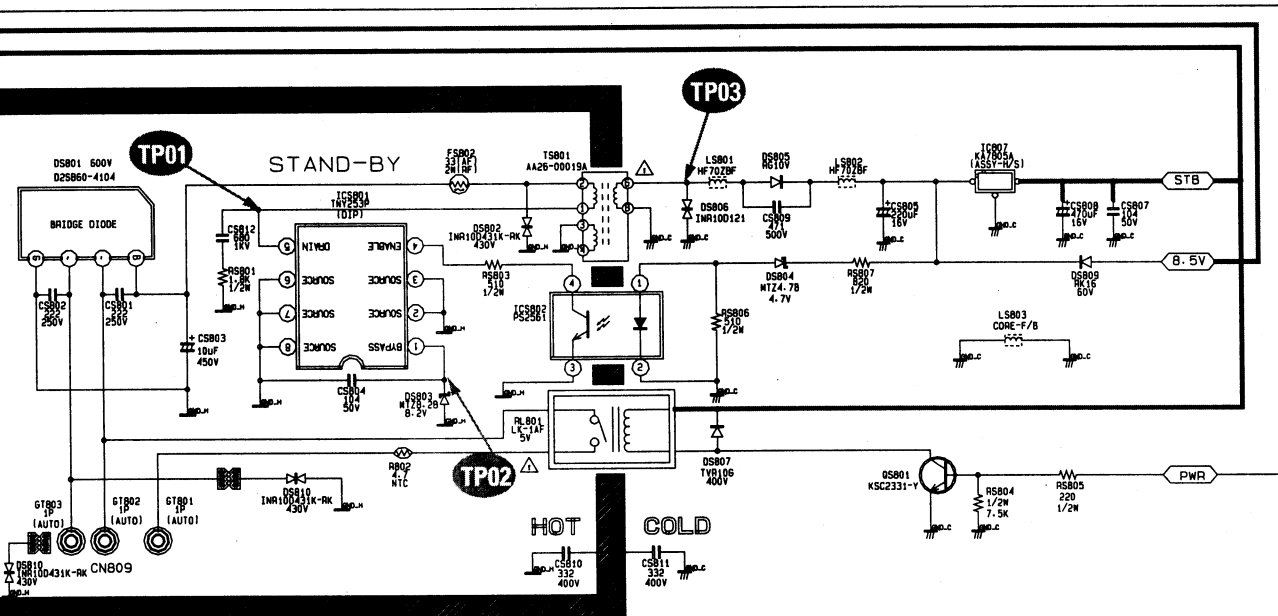
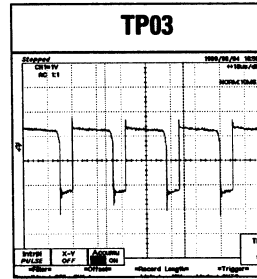
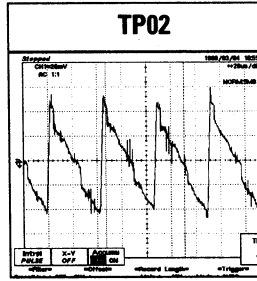
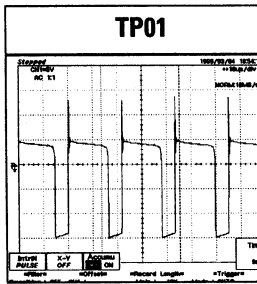
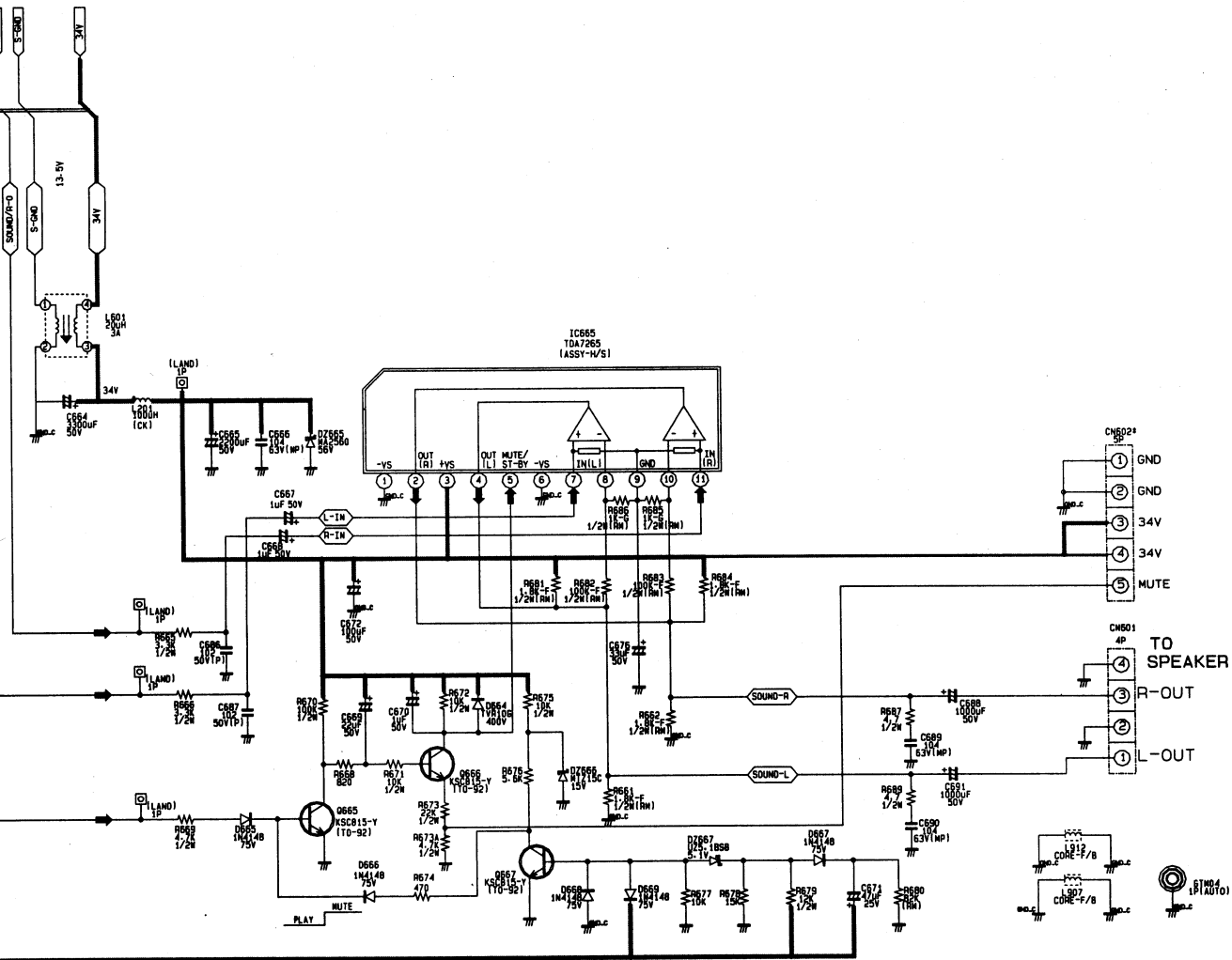


: Power Line
 : Signal Line



10-4 MAIN D



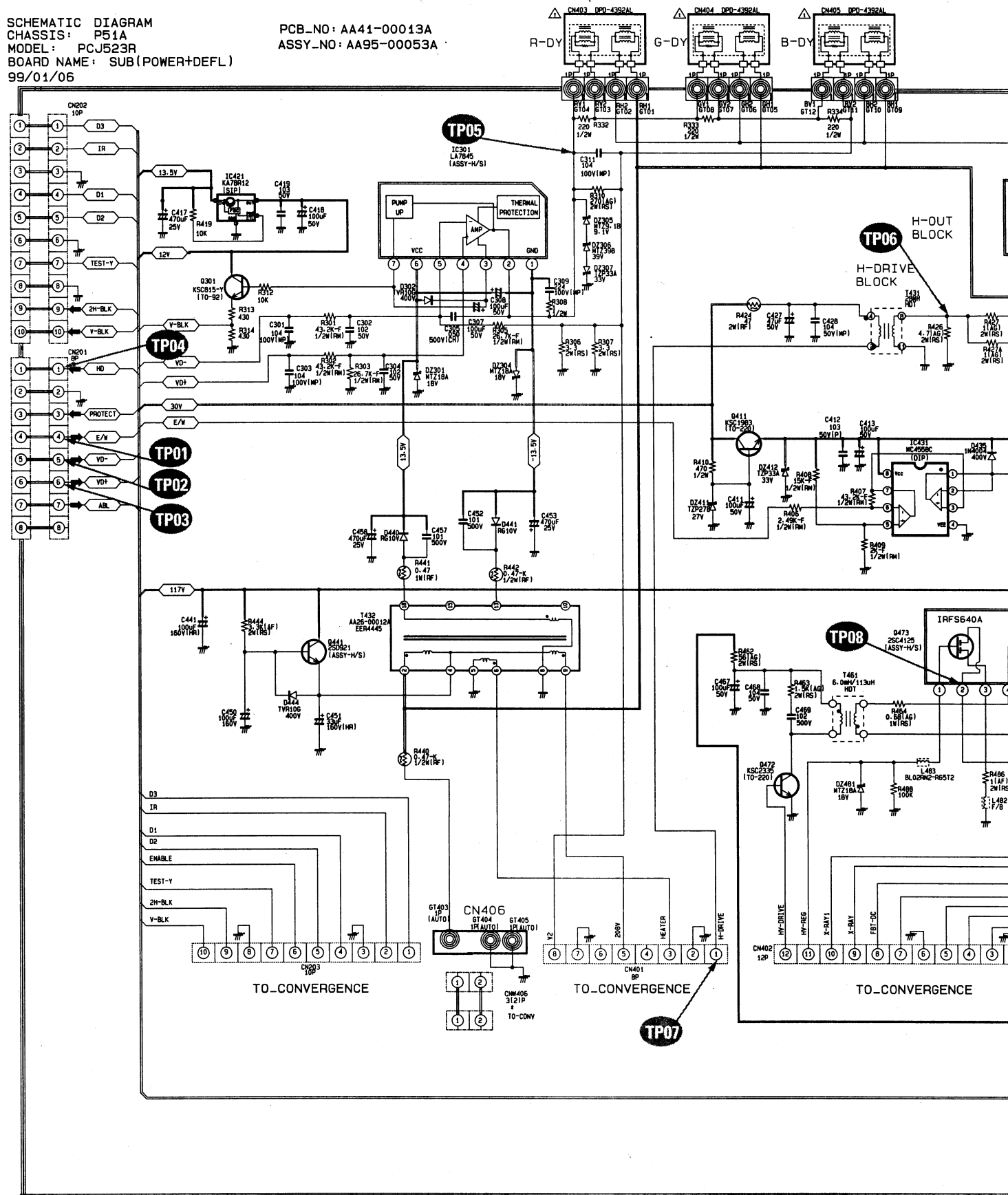


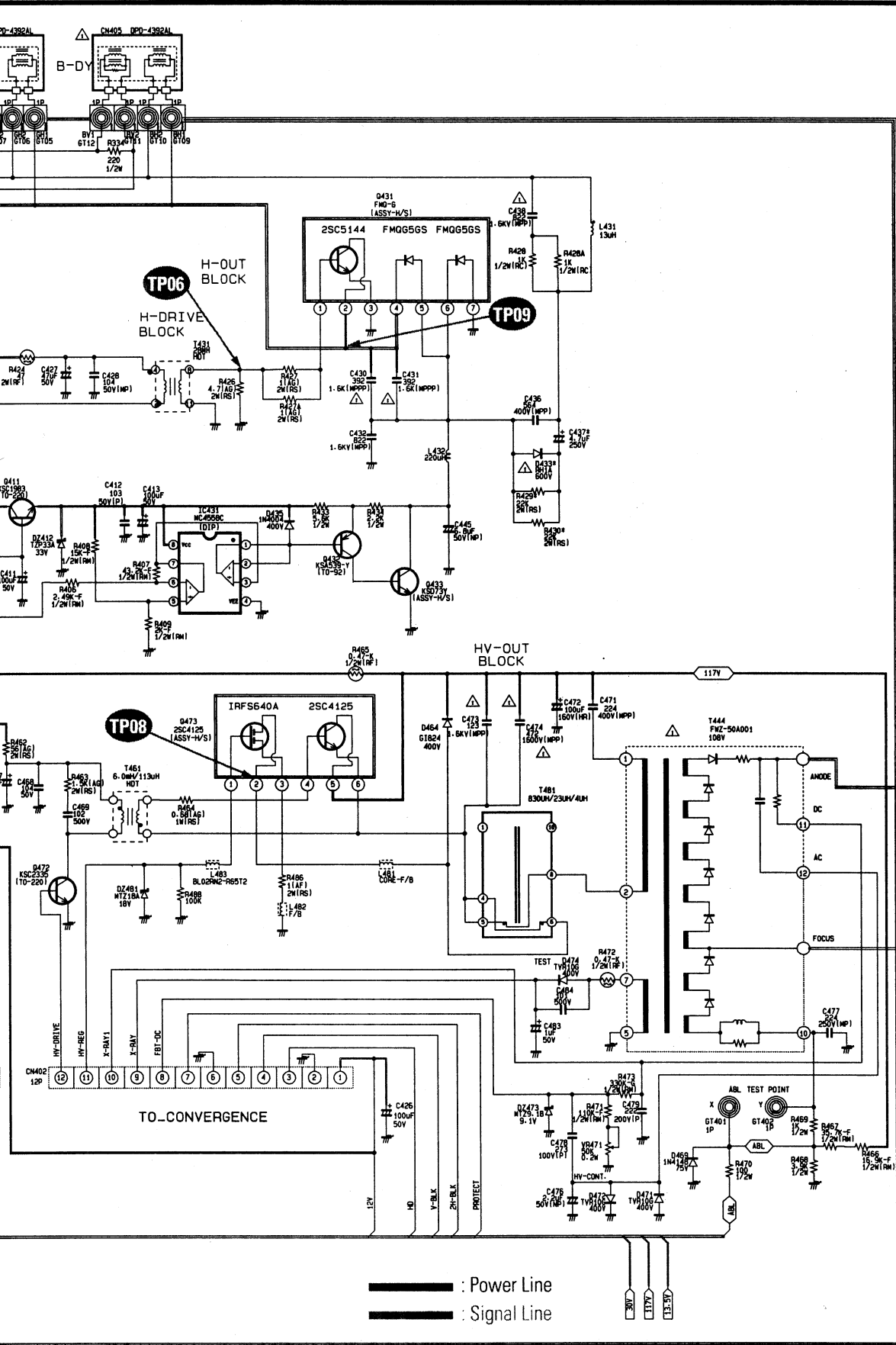
: Power Line
 : Signal Line

10-5 SUB (POWER+DEFL) -1

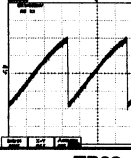
SCHEMATIC DIAGRAM
 CHASSIS: P51A
 MODEL: PCJ523R
 BOARD NAME: SUB(POWER+DEFL)
 99/01/06

PCB_NO: AA41-00013A
 ASSY_NO: AA95-00053A

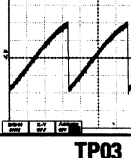




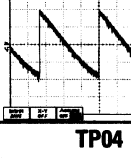
TP01



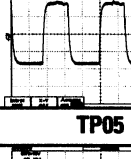
TP02



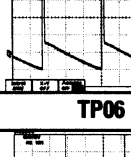
TP03



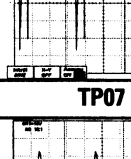
TP04



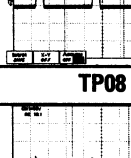
TP05



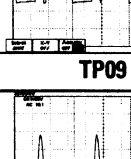
TP06



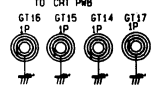
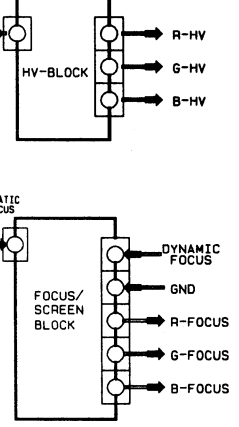
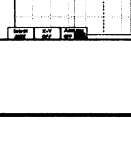
TP07



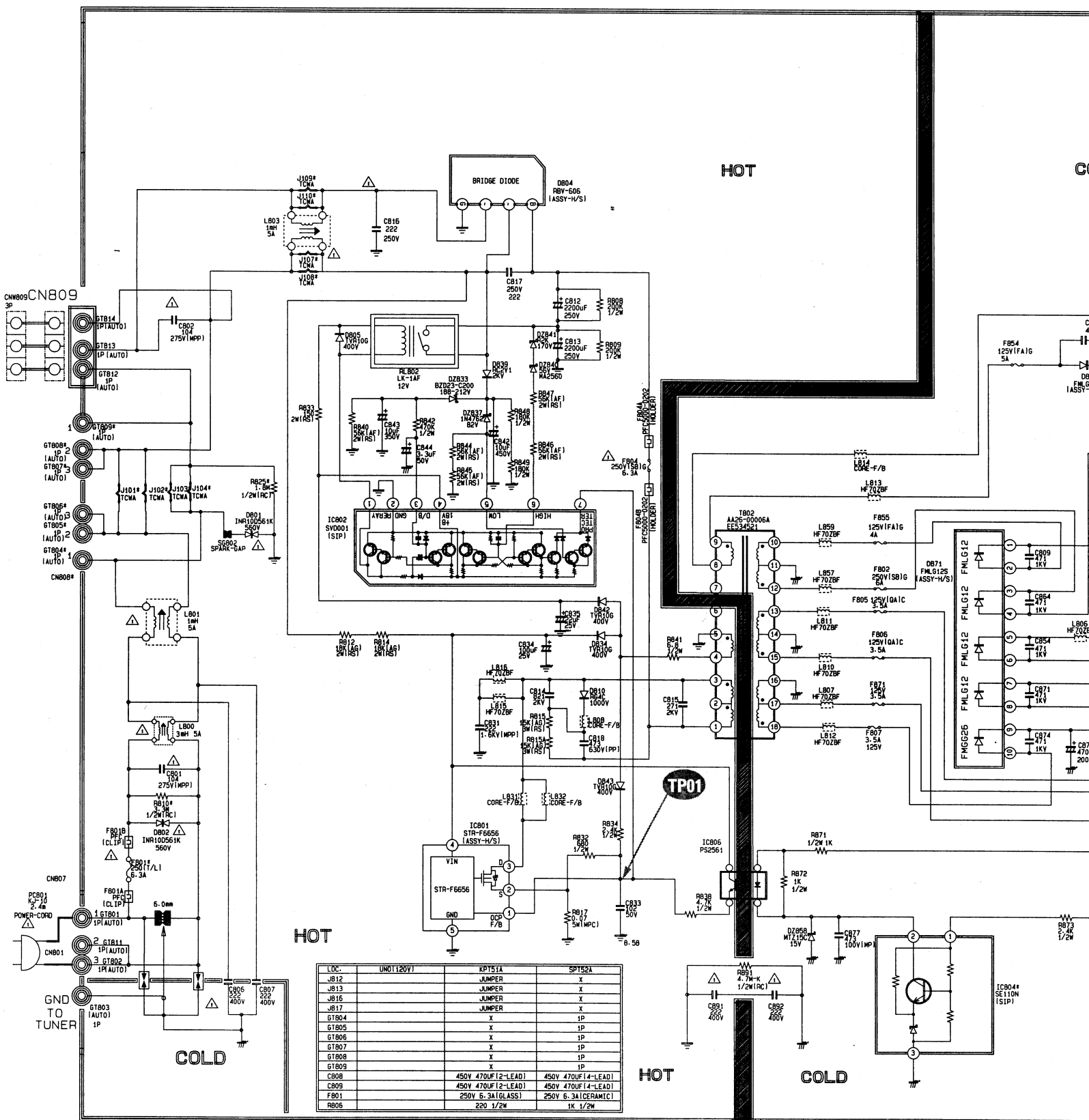
TP08

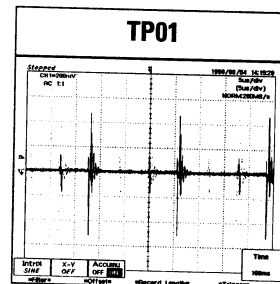
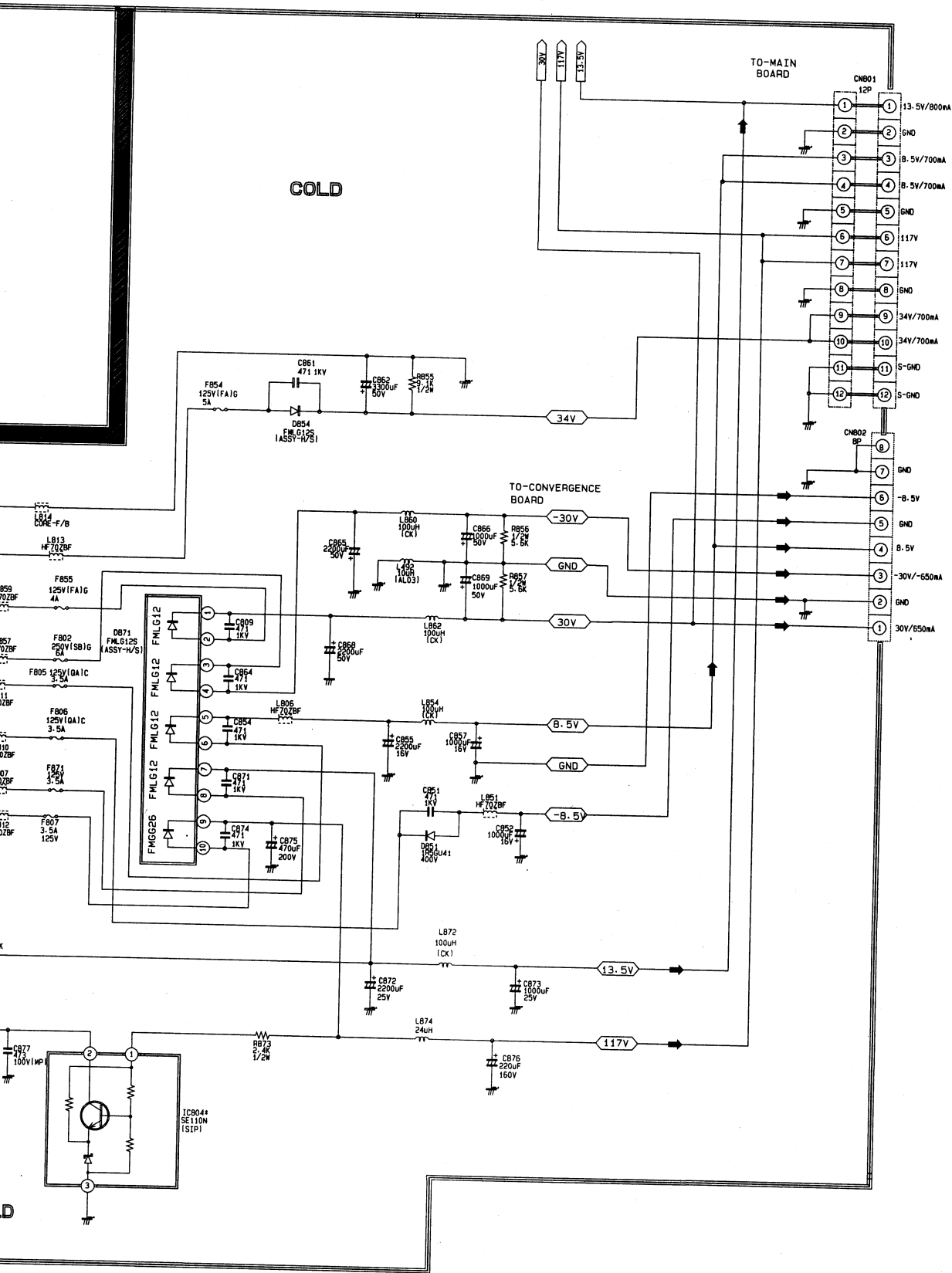


TP09

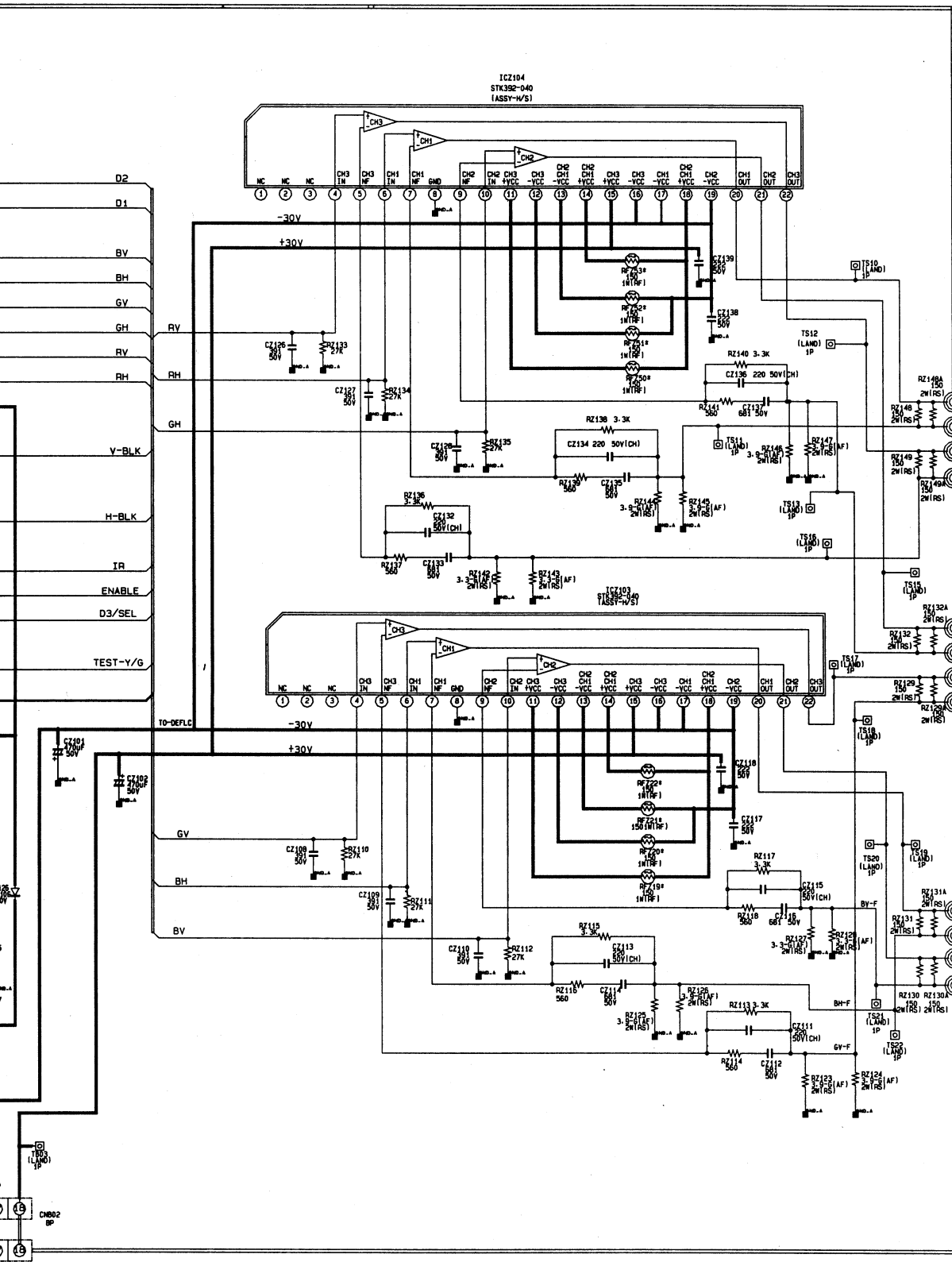


10-6 SUB (POWER+DEFL) -2

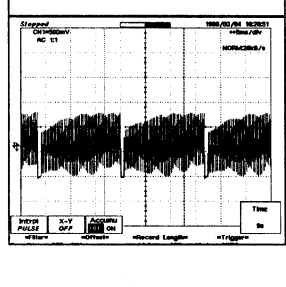
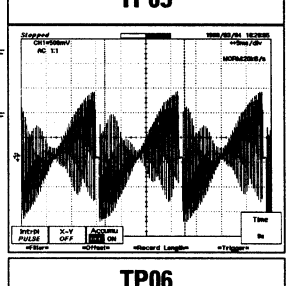
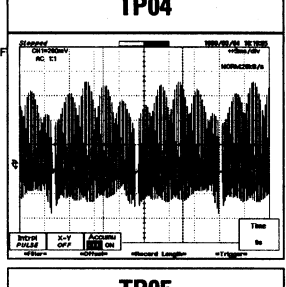
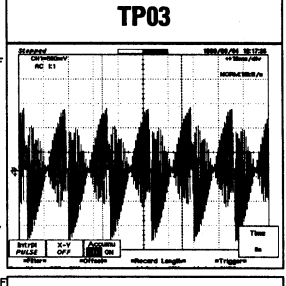
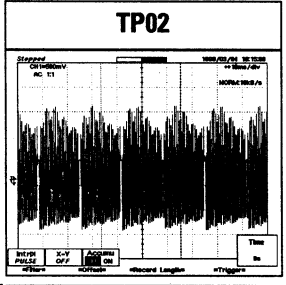
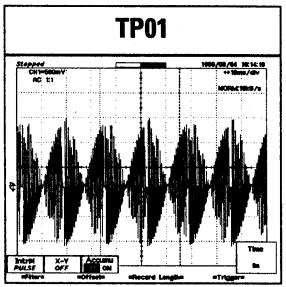




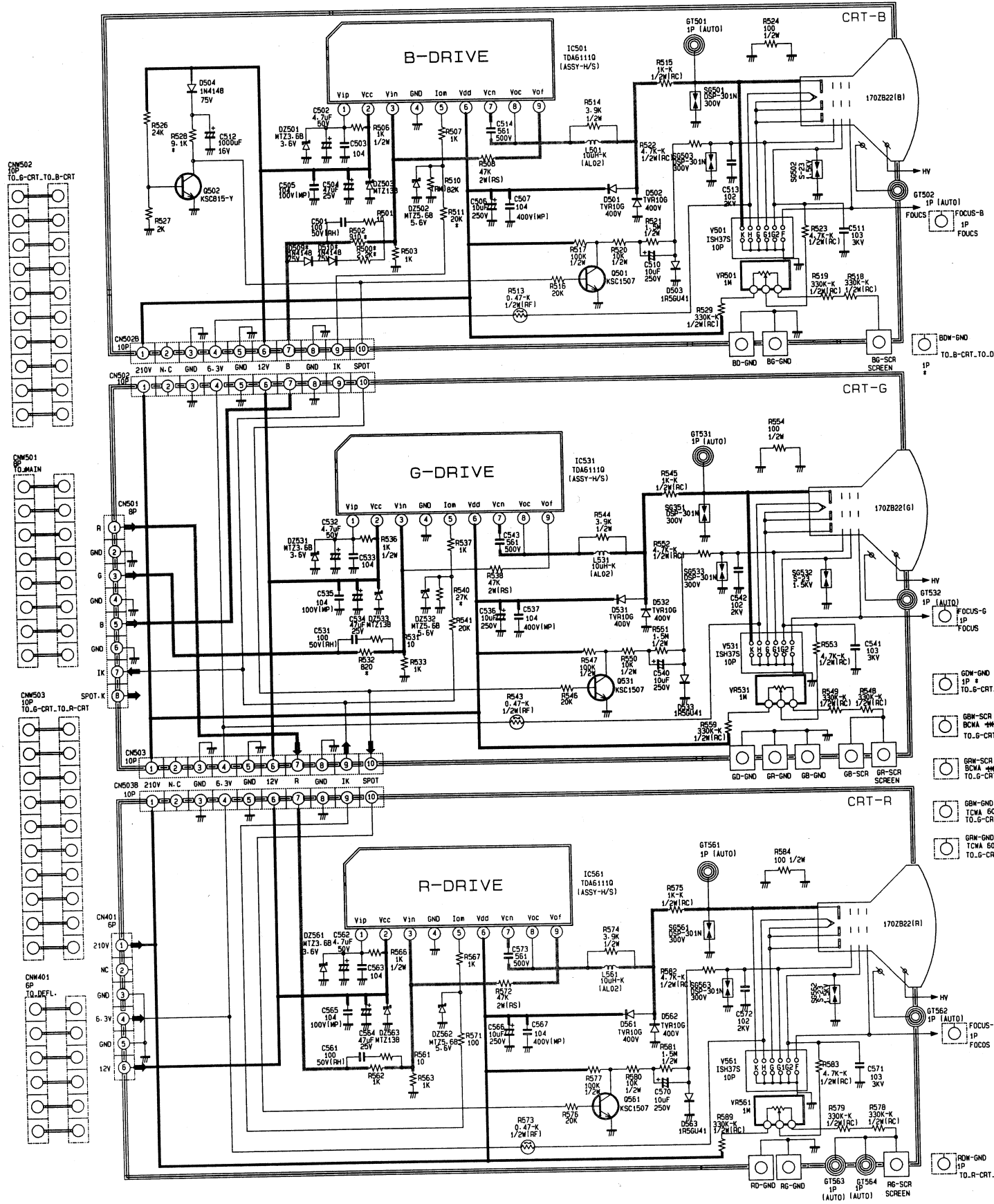
: Power Line
 : Signal Line

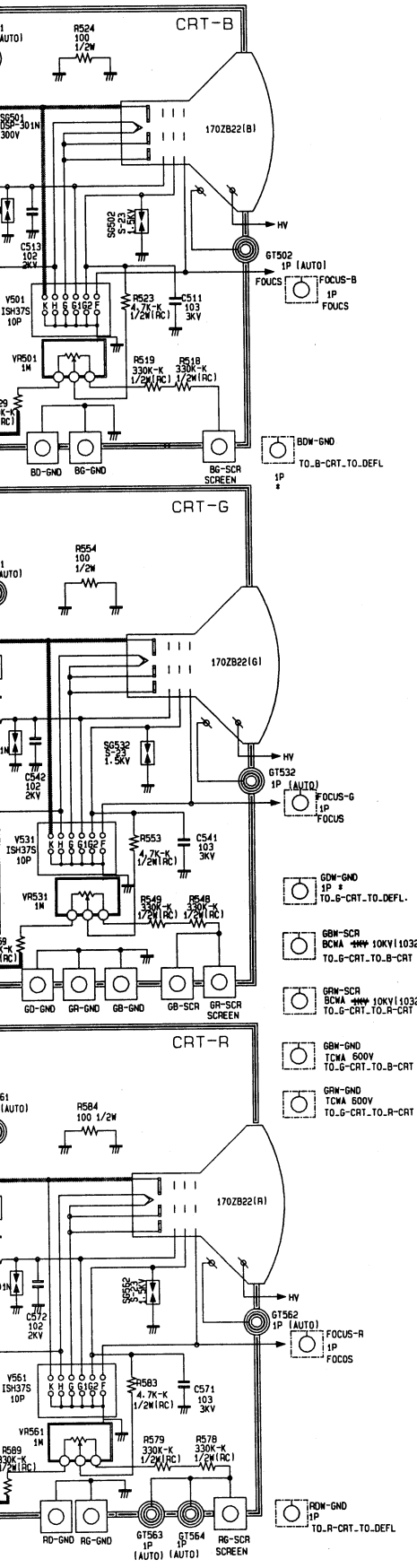


: Power Line
 : Signal Line

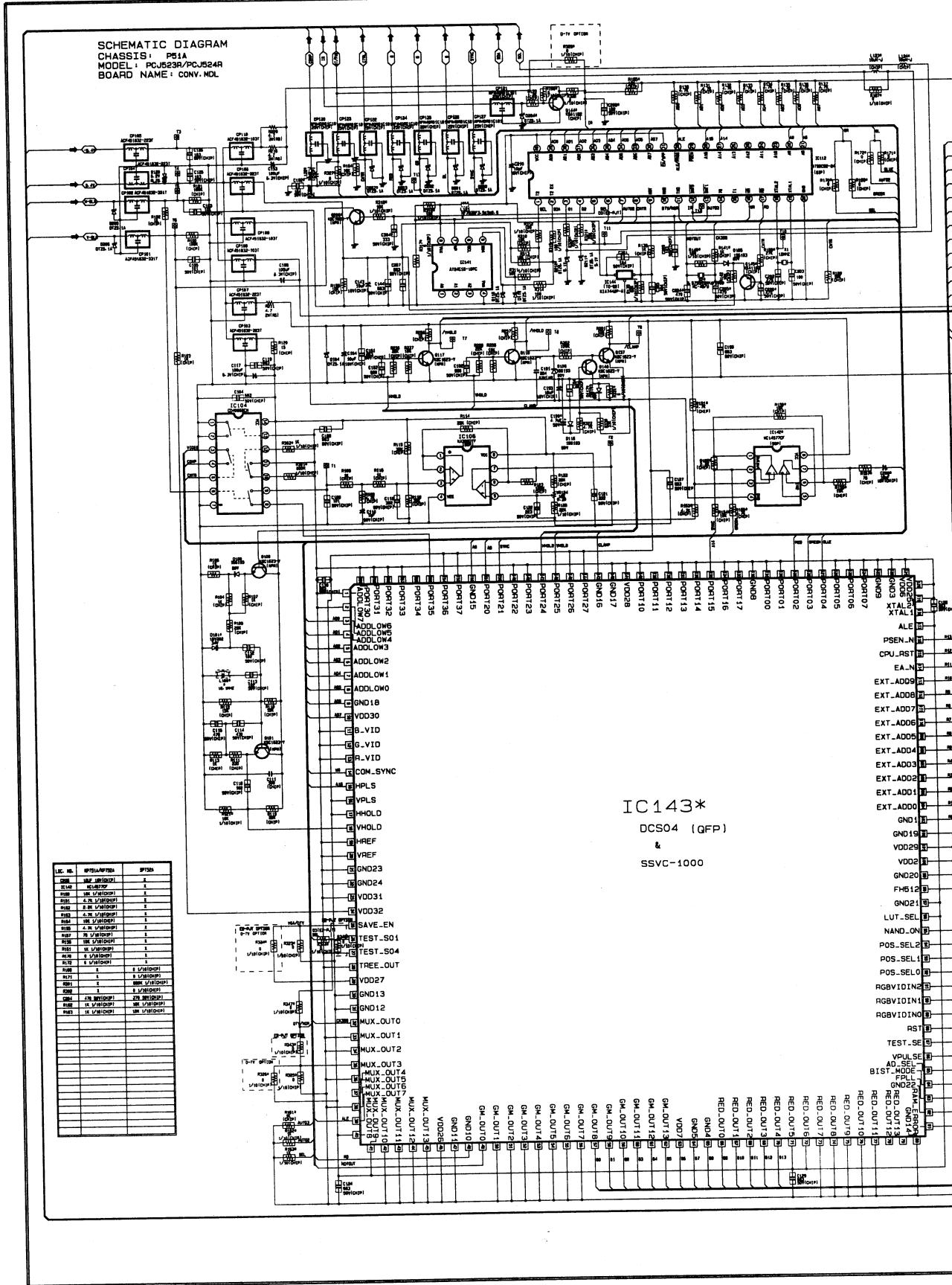


10-7 CRT

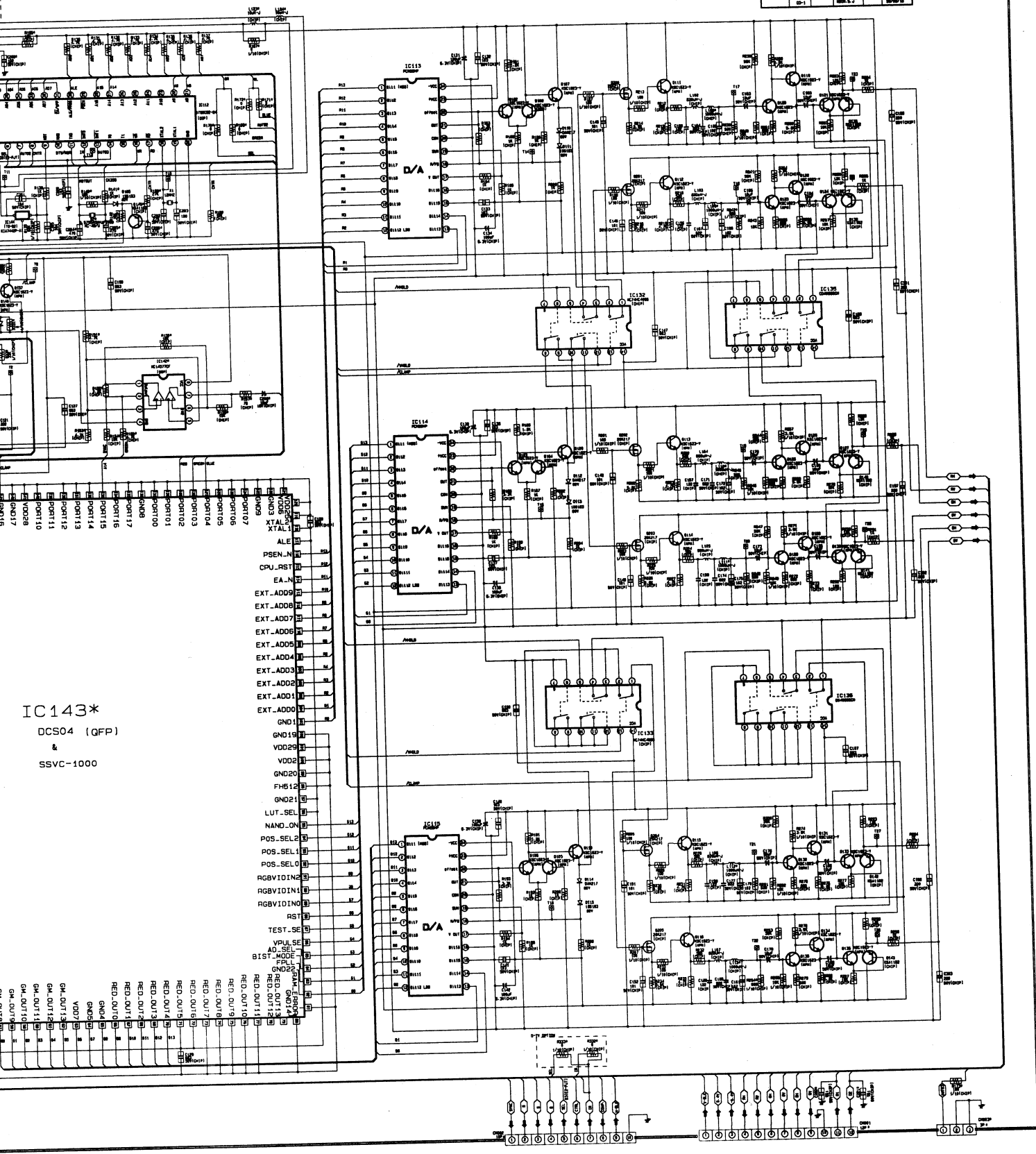




10-9 CONVERGENCE MOL



FILE NAME : CONV. MDL					
JOB-NO	TEAM	NOOK	DESIGN	CHK	EDIT
SP-1			SSVC-1		SSVC-1



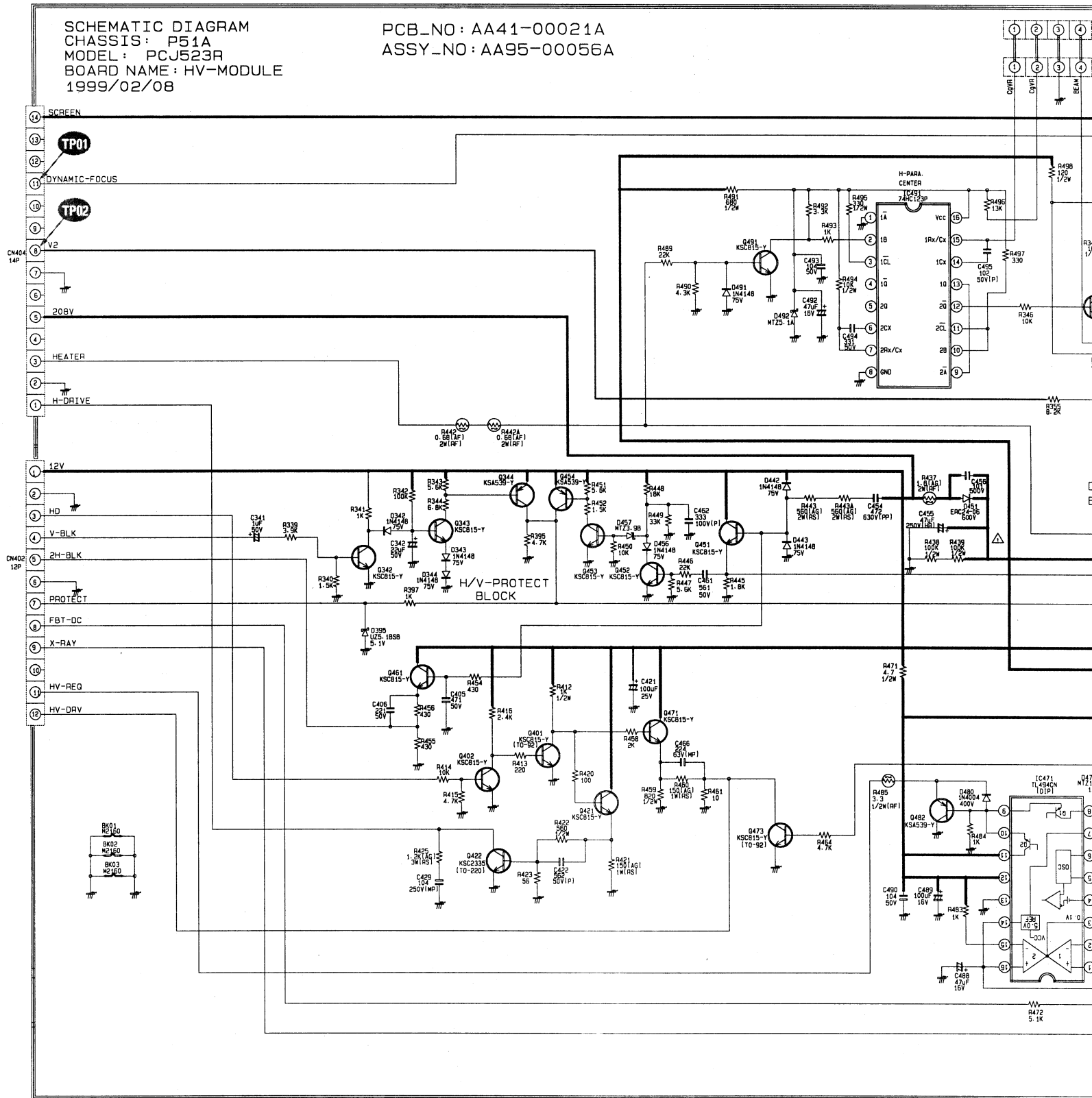
IC143*
DCS04 (QFP)
&
SSVC-1000

- EXT_ADD9
- EXT_ADD8
- EXT_ADD7
- EXT_ADD6
- EXT_ADD5
- EXT_ADD4
- EXT_ADD3
- EXT_ADD2
- EXT_ADD1
- EXT_ADD0
- GND1
- GND19
- VDD29
- VDD2
- GND20
- FH612
- GND21
- LUT_SEL
- NANO_ON
- POS_SEL2
- POS_SEL1
- POS_SEL0
- RGBVIDIN2
- RGBVIDIN4
- RGBVIDING
- RST
- TEST_SE
- VPULSE
- AD_SEL
- BIST_MODE
- GND22
- FP1
- FP2
- FP3
- FP4
- FP5
- FP6
- FP7
- FP8
- FP9
- FP10
- FP11
- FP12
- FP13
- FP14
- FP15
- FP16
- FP17
- FP18
- FP19
- FP20
- FP21
- FP22
- FP23
- FP24
- FP25
- FP26
- FP27
- FP28
- FP29
- FP30
- FP31
- FP32
- FP33
- FP34
- FP35
- FP36
- FP37
- FP38
- FP39
- FP40
- FP41
- FP42
- FP43
- FP44
- FP45
- FP46
- FP47
- FP48
- FP49
- FP50
- FP51
- FP52
- FP53
- FP54
- FP55
- FP56
- FP57
- FP58
- FP59
- FP60
- FP61
- FP62
- FP63
- FP64
- FP65
- FP66
- FP67
- FP68
- FP69
- FP70
- FP71
- FP72
- FP73
- FP74
- FP75
- FP76
- FP77
- FP78
- FP79
- FP80
- FP81
- FP82
- FP83
- FP84
- FP85
- FP86
- FP87
- FP88
- FP89
- FP90
- FP91
- FP92
- FP93
- FP94
- FP95
- FP96
- FP97
- FP98
- FP99
- FP100
- FP101
- FP102
- FP103
- FP104
- FP105
- FP106
- FP107
- FP108
- FP109
- FP110
- FP111
- FP112
- FP113
- FP114
- FP115
- FP116
- FP117
- FP118
- FP119
- FP120
- FP121
- FP122
- FP123
- FP124
- FP125
- FP126
- FP127
- FP128
- FP129
- FP130
- FP131
- FP132
- FP133
- FP134
- FP135
- FP136
- FP137
- FP138
- FP139
- FP140
- FP141
- FP142
- FP143
- FP144
- FP145
- FP146
- FP147
- FP148
- FP149
- FP150
- FP151
- FP152
- FP153
- FP154
- FP155
- FP156
- FP157
- FP158
- FP159
- FP160
- FP161
- FP162
- FP163
- FP164
- FP165
- FP166
- FP167
- FP168
- FP169
- FP170
- FP171
- FP172
- FP173
- FP174
- FP175
- FP176
- FP177
- FP178
- FP179
- FP180
- FP181
- FP182
- FP183
- FP184
- FP185
- FP186
- FP187
- FP188
- FP189
- FP190
- FP191
- FP192
- FP193
- FP194
- FP195
- FP196
- FP197
- FP198
- FP199
- FP200
- FP201
- FP202
- FP203
- FP204
- FP205
- FP206
- FP207
- FP208
- FP209
- FP210
- FP211
- FP212
- FP213
- FP214
- FP215
- FP216
- FP217
- FP218
- FP219
- FP220
- FP221
- FP222
- FP223
- FP224
- FP225
- FP226
- FP227
- FP228
- FP229
- FP230
- FP231
- FP232
- FP233
- FP234
- FP235
- FP236
- FP237
- FP238
- FP239
- FP240
- FP241
- FP242
- FP243
- FP244
- FP245
- FP246
- FP247
- FP248
- FP249
- FP250
- FP251
- FP252
- FP253
- FP254
- FP255
- FP256
- FP257
- FP258
- FP259
- FP260
- FP261
- FP262
- FP263
- FP264
- FP265
- FP266
- FP267
- FP268
- FP269
- FP270
- FP271
- FP272
- FP273
- FP274
- FP275
- FP276
- FP277
- FP278
- FP279
- FP280
- FP281
- FP282
- FP283
- FP284
- FP285
- FP286
- FP287
- FP288
- FP289
- FP290
- FP291
- FP292
- FP293
- FP294
- FP295
- FP296
- FP297
- FP298
- FP299
- FP300
- FP301
- FP302
- FP303
- FP304
- FP305
- FP306
- FP307
- FP308
- FP309
- FP310
- FP311
- FP312
- FP313
- FP314
- FP315
- FP316
- FP317
- FP318
- FP319
- FP320
- FP321
- FP322
- FP323
- FP324
- FP325
- FP326
- FP327
- FP328
- FP329
- FP330
- FP331
- FP332
- FP333
- FP334
- FP335
- FP336
- FP337
- FP338
- FP339
- FP340
- FP341
- FP342
- FP343
- FP344
- FP345
- FP346
- FP347
- FP348
- FP349
- FP350
- FP351
- FP352
- FP353
- FP354
- FP355
- FP356
- FP357
- FP358
- FP359
- FP360
- FP361
- FP362
- FP363
- FP364
- FP365
- FP366
- FP367
- FP368
- FP369
- FP370
- FP371
- FP372
- FP373
- FP374
- FP375
- FP376
- FP377
- FP378
- FP379
- FP380
- FP381
- FP382
- FP383
- FP384
- FP385
- FP386
- FP387
- FP388
- FP389
- FP390
- FP391
- FP392
- FP393
- FP394
- FP395
- FP396
- FP397
- FP398
- FP399
- FP400
- FP401
- FP402
- FP403
- FP404
- FP405
- FP406
- FP407
- FP408
- FP409
- FP410
- FP411
- FP412
- FP413
- FP414
- FP415
- FP416
- FP417
- FP418
- FP419
- FP420
- FP421
- FP422
- FP423
- FP424
- FP425
- FP426
- FP427
- FP428
- FP429
- FP430
- FP431
- FP432
- FP433
- FP434
- FP435
- FP436
- FP437
- FP438
- FP439
- FP440
- FP441
- FP442
- FP443
- FP444
- FP445
- FP446
- FP447
- FP448
- FP449
- FP450
- FP451
- FP452
- FP453
- FP454
- FP455
- FP456
- FP457
- FP458
- FP459
- FP460
- FP461
- FP462
- FP463
- FP464
- FP465
- FP466
- FP467
- FP468
- FP469
- FP470
- FP471
- FP472
- FP473
- FP474
- FP475
- FP476
- FP477
- FP478
- FP479
- FP480
- FP481
- FP482
- FP483
- FP484
- FP485
- FP486
- FP487
- FP488
- FP489
- FP490
- FP491
- FP492
- FP493
- FP494
- FP495
- FP496
- FP497
- FP498
- FP499
- FP500
- FP501
- FP502
- FP503
- FP504
- FP505
- FP506
- FP507
- FP508
- FP509
- FP510
- FP511
- FP512
- FP513
- FP514
- FP515
- FP516
- FP517
- FP518
- FP519
- FP520
- FP521
- FP522
- FP523
- FP524
- FP525
- FP526
- FP527
- FP528
- FP529
- FP530
- FP531
- FP532
- FP533
- FP534
- FP535
- FP536
- FP537
- FP538
- FP539
- FP540
- FP541
- FP542
- FP543
- FP544
- FP545
- FP546
- FP547
- FP548
- FP549
- FP550
- FP551
- FP552
- FP553
- FP554
- FP555
- FP556
- FP557
- FP558
- FP559
- FP560
- FP561
- FP562
- FP563
- FP564
- FP565
- FP566
- FP567
- FP568
- FP569
- FP570
- FP571
- FP572
- FP573
- FP574
- FP575
- FP576
- FP577
- FP578
- FP579
- FP580
- FP581
- FP582
- FP583
- FP584
- FP585
- FP586
- FP587
- FP588
- FP589
- FP590
- FP591
- FP592
- FP593
- FP594
- FP595
- FP596
- FP597
- FP598
- FP599
- FP600
- FP601
- FP602
- FP603
- FP604
- FP605
- FP606
- FP607
- FP608
- FP609
- FP610
- FP611
- FP612
- FP613
- FP614
- FP615
- FP616
- FP617
- FP618
- FP619
- FP620
- FP621
- FP622
- FP623
- FP624
- FP625
- FP626
- FP627
- FP628
- FP629
- FP630
- FP631
- FP632
- FP633
- FP634
- FP635
- FP636
- FP637
- FP638
- FP639
- FP640
- FP641
- FP642
- FP643
- FP644
- FP645
- FP646
- FP647
- FP648
- FP649
- FP650
- FP651
- FP652
- FP653
- FP654
- FP655
- FP656
- FP657
- FP658
- FP659
- FP660
- FP661
- FP662
- FP663
- FP664
- FP665
- FP666
- FP667
- FP668
- FP669
- FP670
- FP671
- FP672
- FP673
- FP674
- FP675
- FP676
- FP677
- FP678
- FP679
- FP680
- FP681
- FP682
- FP683
- FP684
- FP685
- FP686
- FP687
- FP688
- FP689
- FP690
- FP691
- FP692
- FP693
- FP694
- FP695
- FP696
- FP697
- FP698
- FP699
- FP700
- FP701
- FP702
- FP703
- FP704
- FP705
- FP706
- FP707
- FP708
- FP709
- FP710
- FP711
- FP712
- FP713
- FP714
- FP715
- FP716
- FP717
- FP718
- FP719
- FP720
- FP721
- FP722
- FP723
- FP724
- FP725
- FP726
- FP727
- FP728
- FP729
- FP730
- FP731
- FP732
- FP733
- FP734
- FP735
- FP736
- FP737
- FP738
- FP739
- FP740
- FP741
- FP742
- FP743
- FP744
- FP745
- FP746
- FP747
- FP748
- FP749
- FP750
- FP751
- FP752
- FP753
- FP754
- FP755
- FP756
- FP757
- FP758
- FP759
- FP760
- FP761
- FP762
- FP763
- FP764
- FP765
- FP766
- FP767
- FP768
- FP769
- FP770
- FP771
- FP772
- FP773
- FP774
- FP775
- FP776
- FP777
- FP778
- FP779
- FP780
- FP781
- FP782
- FP783
- FP784
- FP785
- FP786
- FP787
- FP788
- FP789
- FP790
- FP791
- FP792
- FP793
- FP794
- FP795
- FP796
- FP797
- FP798
- FP799
- FP800
- FP801
- FP802
- FP803
- FP804
- FP805
- FP806
- FP807
- FP808
- FP809
- FP810
- FP811
- FP812
- FP813
- FP814
- FP815
- FP816
- FP817
- FP818
- FP819
- FP820
- FP821
- FP822
- FP823
- FP824
- FP825
- FP826
- FP827
- FP828
- FP829
- FP830
- FP831
- FP832
- FP833
- FP834
- FP835
- FP836
- FP837
- FP838
- FP839
- FP840
- FP841
- FP842
- FP843
- FP844
- FP845
- FP846
- FP847
- FP848
- FP849
- FP850
- FP851
- FP852
- FP853
- FP854
- FP855
- FP856
- FP857
- FP858
- FP859
- FP860
- FP861
- FP862
- FP863
- FP864
- FP865
- FP866
- FP867
- FP868
- FP869
- FP870
- FP871
- FP872
- FP873
- FP874
- FP875
- FP876
- FP877
- FP878
- FP879
- FP880
- FP881
- FP882
- FP883
- FP884
- FP885
- FP886
- FP887
- FP888
- FP889
- FP890
- FP891
- FP892
- FP893
- FP894
- FP895
- FP896
- FP897
- FP898
- FP899
- FP900
- FP901
- FP902
- FP903
- FP904
- FP905
- FP906
- FP907
- FP908
- FP909
- FP910
- FP911
- FP912
- FP913
- FP914
- FP915
- FP916
- FP917
- FP918
- FP919
- FP920
- FP921
- FP922
- FP923
- FP924
- FP925
- FP926
- FP927
- FP928
- FP929
- FP930
- FP931
- FP932
- FP933
- FP934
- FP935
- FP936
- FP937
- FP938
- FP939
- FP940
- FP941
- FP942
- FP943
- FP944
- FP945
- FP946
- FP947
- FP948
- FP949
- FP950
- FP951
- FP952
- FP953
- FP954
- FP955
- FP956
- FP957
- FP958
- FP959
- FP960
- FP961
- FP962
- FP963
- FP964
- FP965
- FP966
- FP967
- FP968
- FP969
- FP970
- FP971
- FP972
- FP973
- FP974
- FP975
- FP976
- FP977
- FP978
- FP979
- FP980
- FP981
- FP982
- FP983
- FP984
- FP985
- FP986
- FP987
- FP988
- FP989
- FP990
- FP991
- FP992
- FP993
- FP994
- FP995
- FP996
- FP997
- FP998
- FP999
- FP1000

10-10 HV-MODULE

SCHEMATIC DIAGRAM
 CHASSIS: P51A
 MODEL: PCJ523R
 BOARD NAME: HV-MODULE
 1999/02/08

PCB_NO: AA41-00021A
 ASSY_NO: AA95-00056A



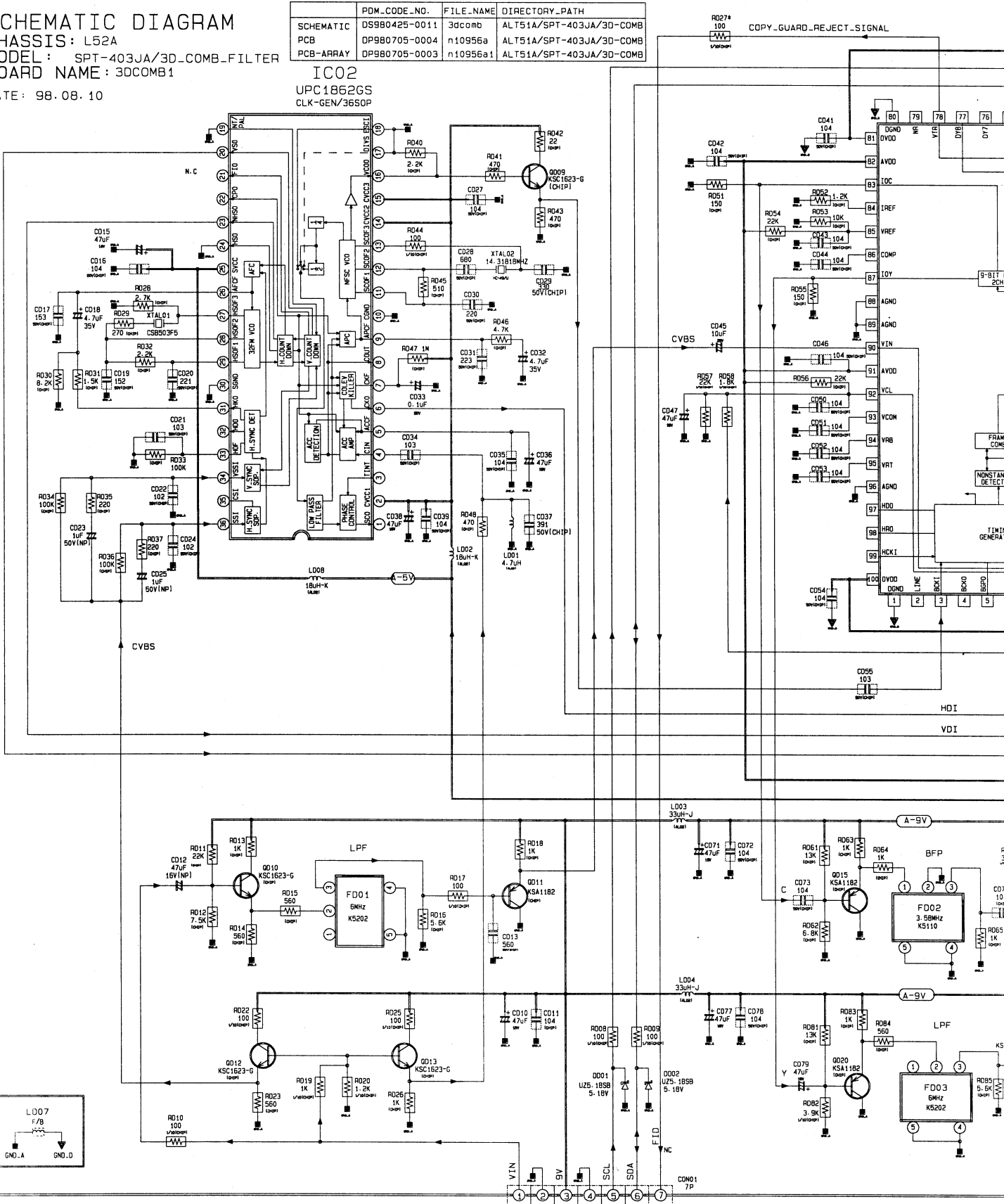
SCHEMATIC DIAGRAM

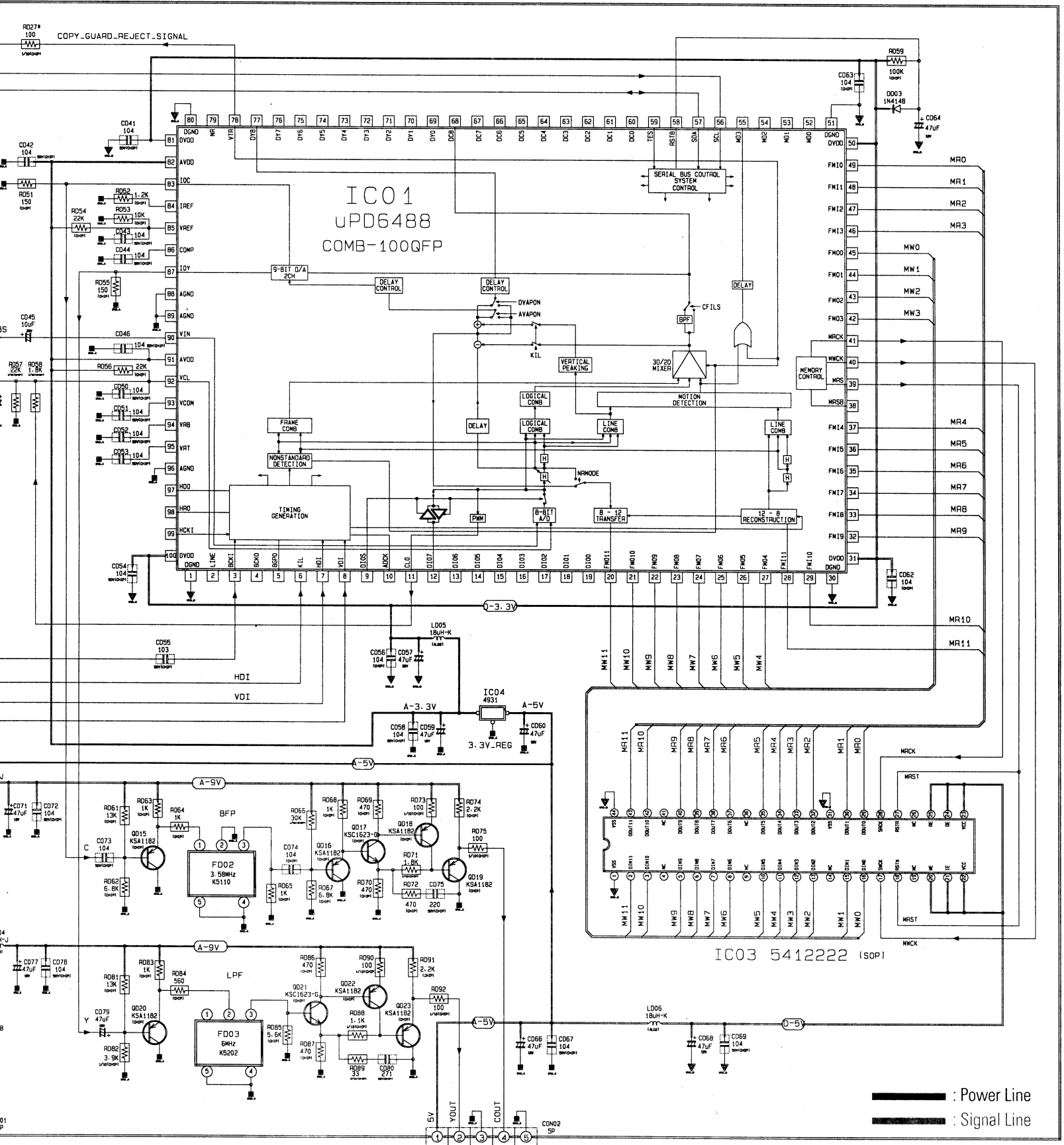
CHASSIS: L52A
 MODEL: SPT-403JA/3D_COMB_FILTER
 BOARD NAME: 3DCOMB1

DATE: 98.08.10

	PDM_CODE_NO.	FILE_NAME	DIRECTORY_PATH
SCHEMATIC	DS980425-0011	3dcomb	ALT51A/SPT-403JA/3D-COMB
PCB	DP980705-0004	n10956a	ALT51A/SPT-403JA/3D-COMB
PCB-ARRAY	DP980705-0003	n10956a1	ALT51A/SPT-403JA/3D-COMB

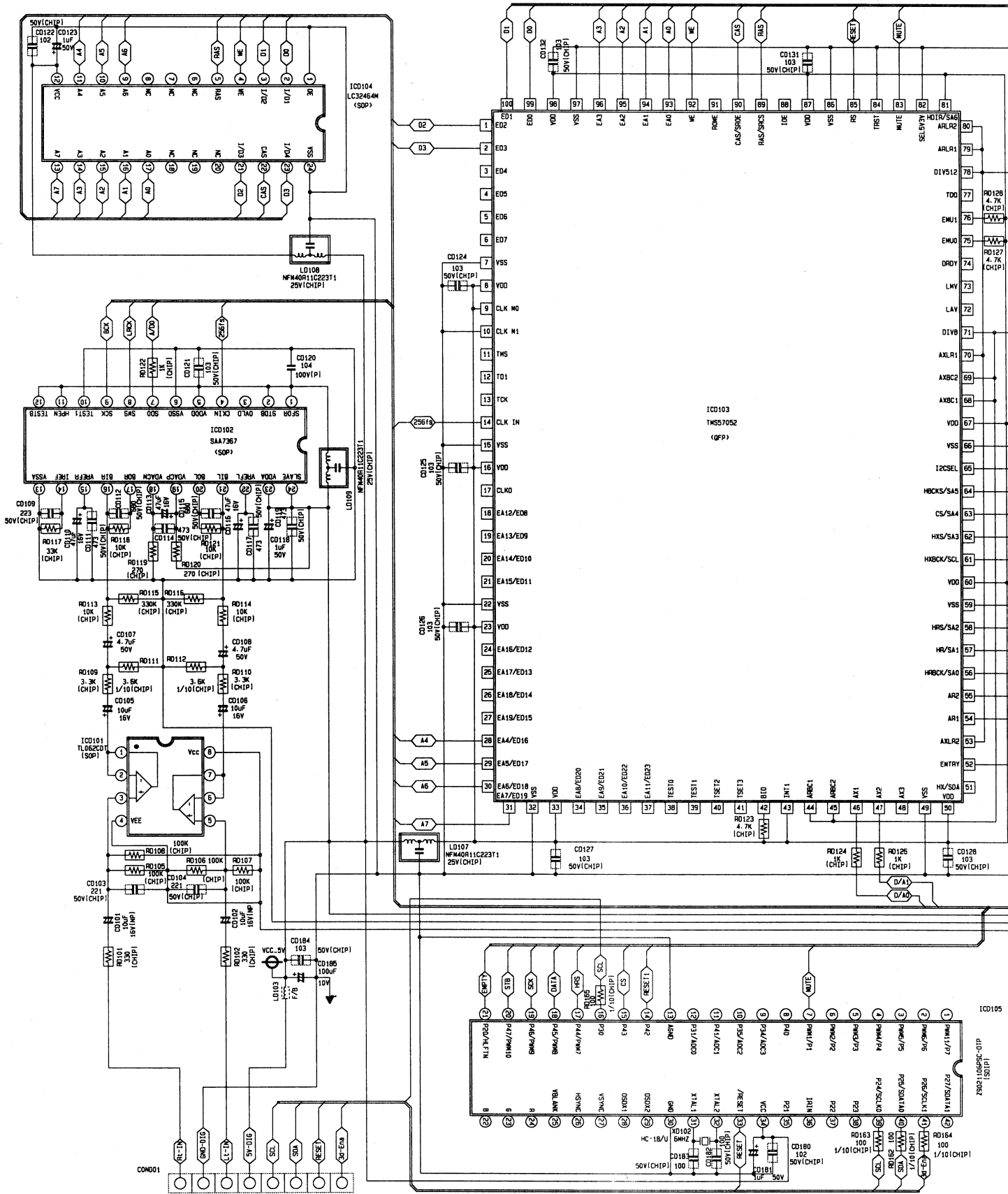
IC02
 UPC1862GS
 CLK-GEN/36SOP

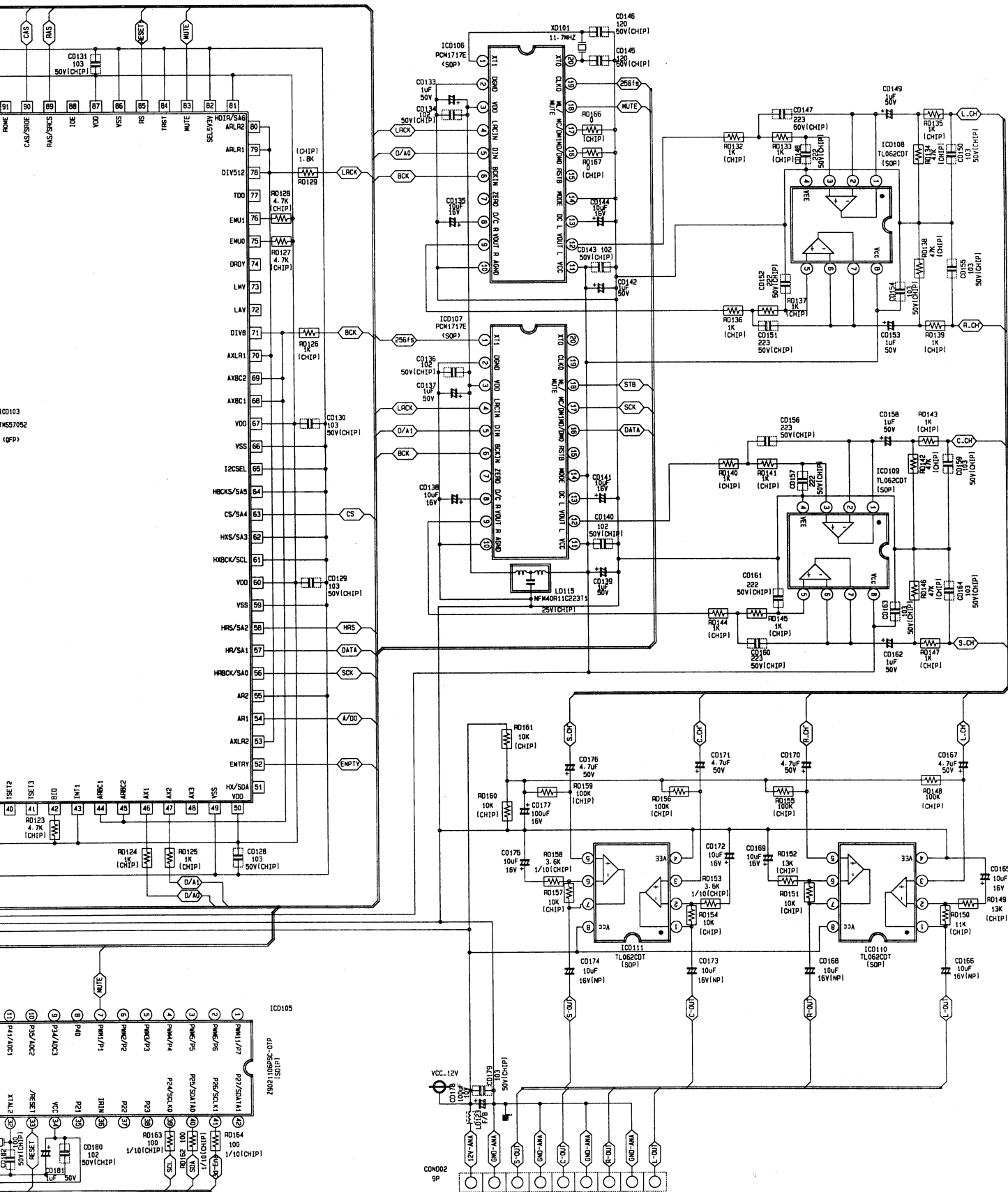




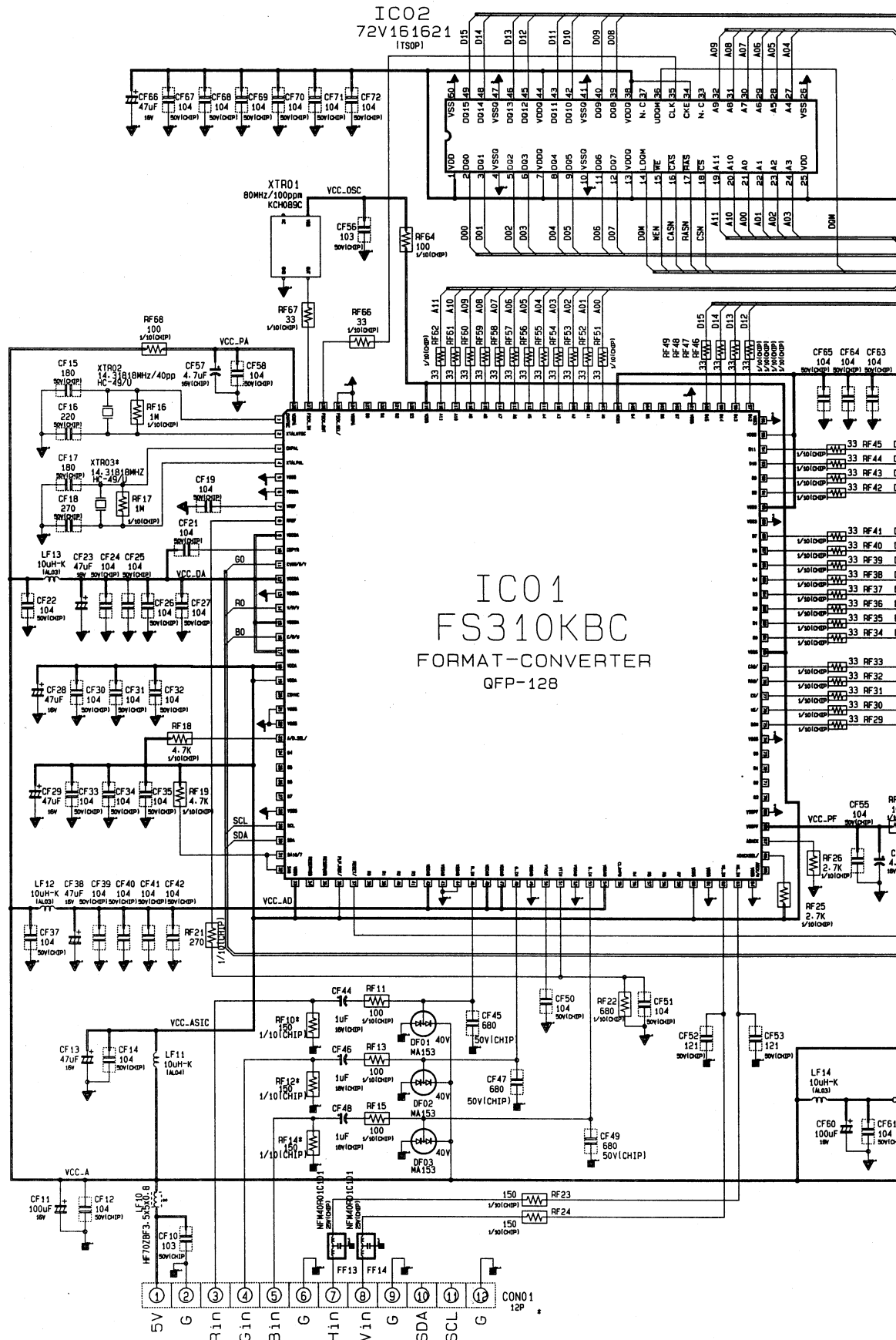
— : Power Line
— : Signal Line

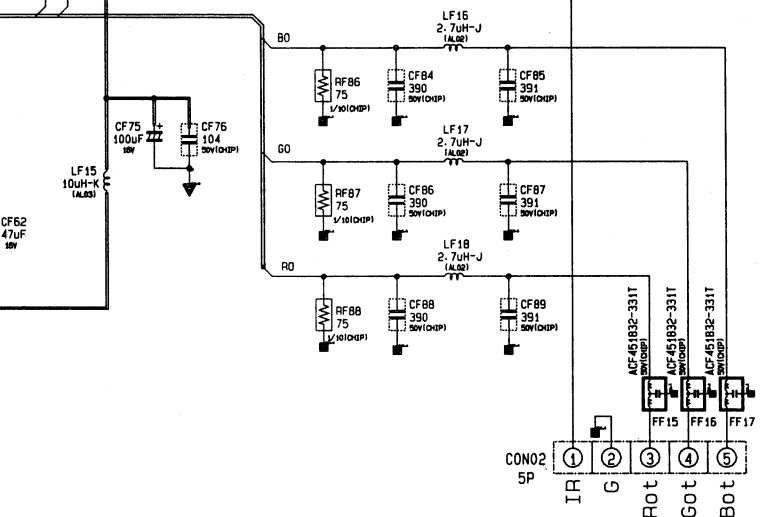
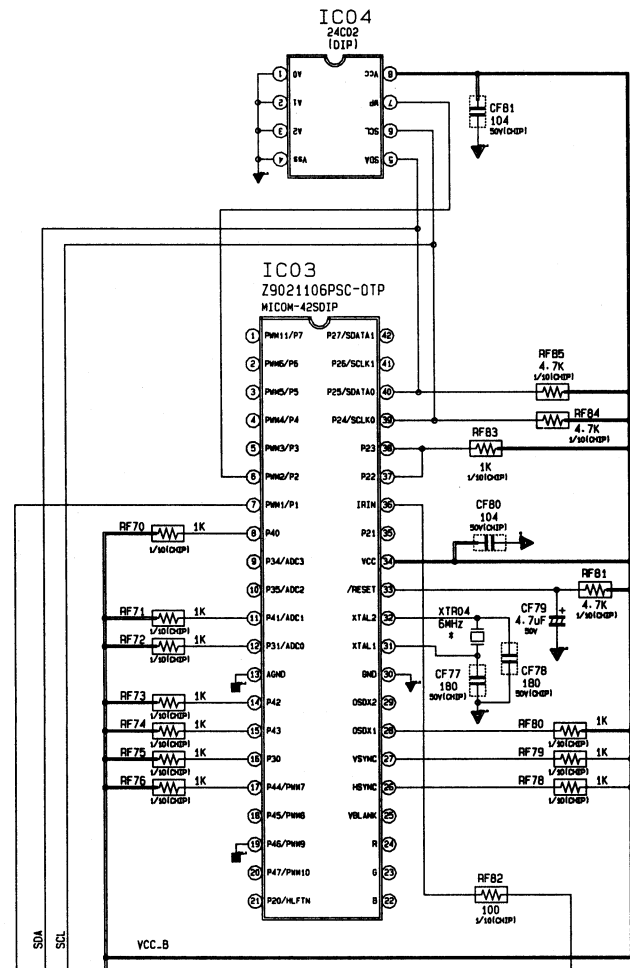
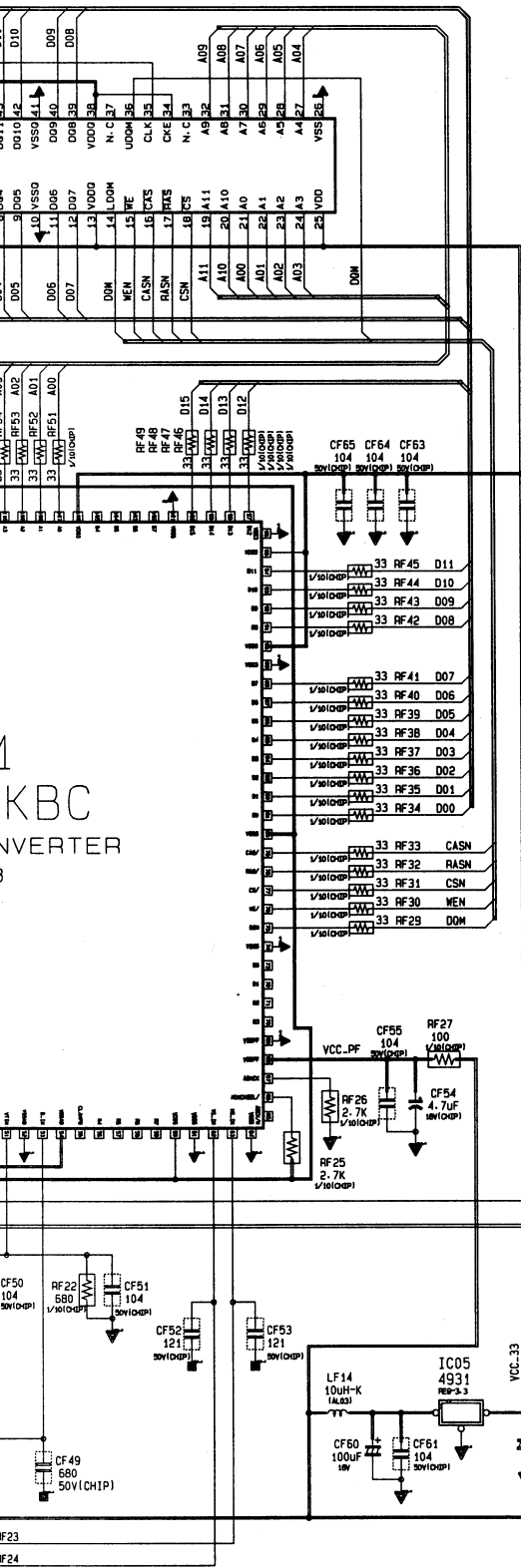
10-12 3D PHONIC





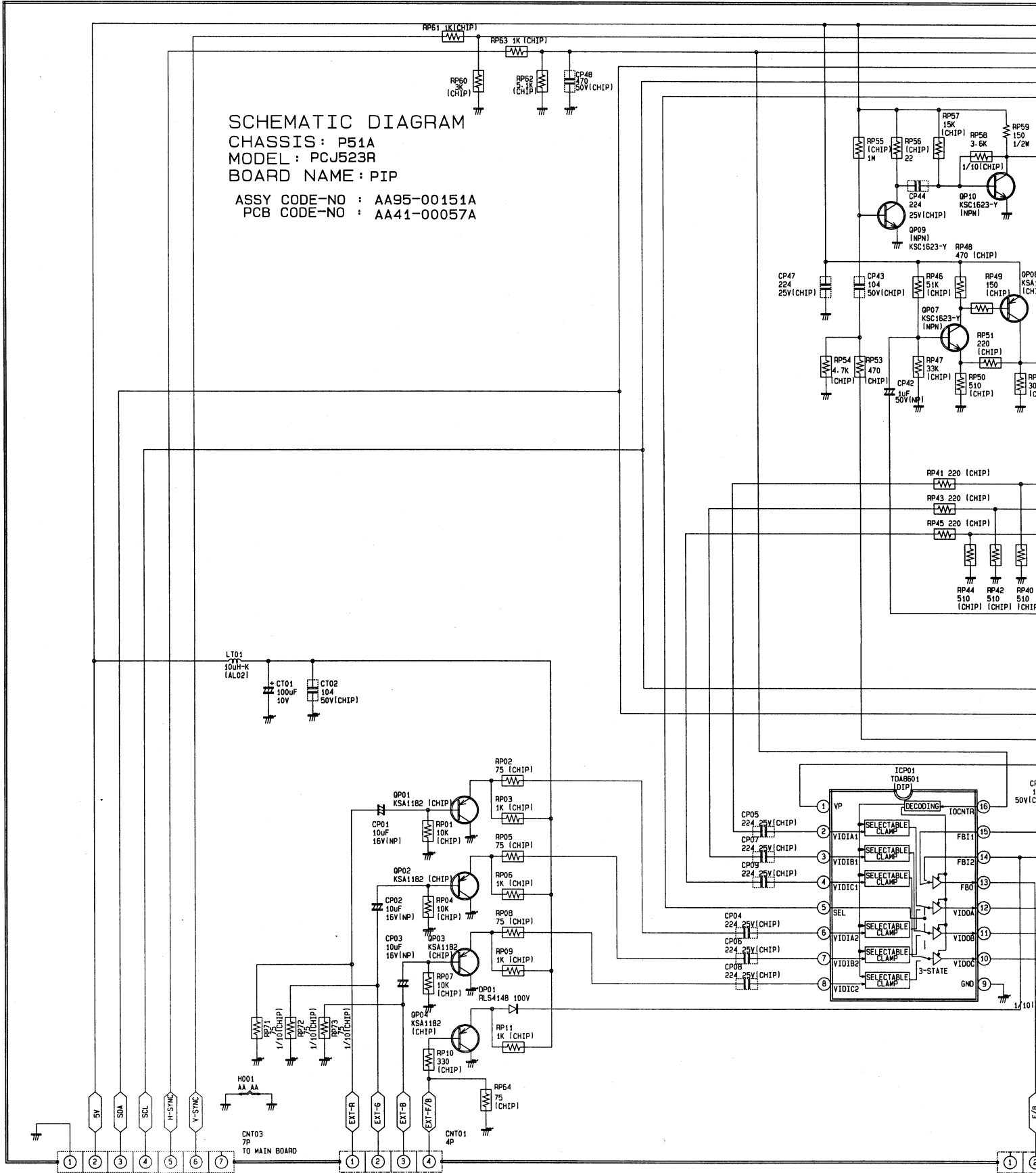
10-13 F/CONVERTER

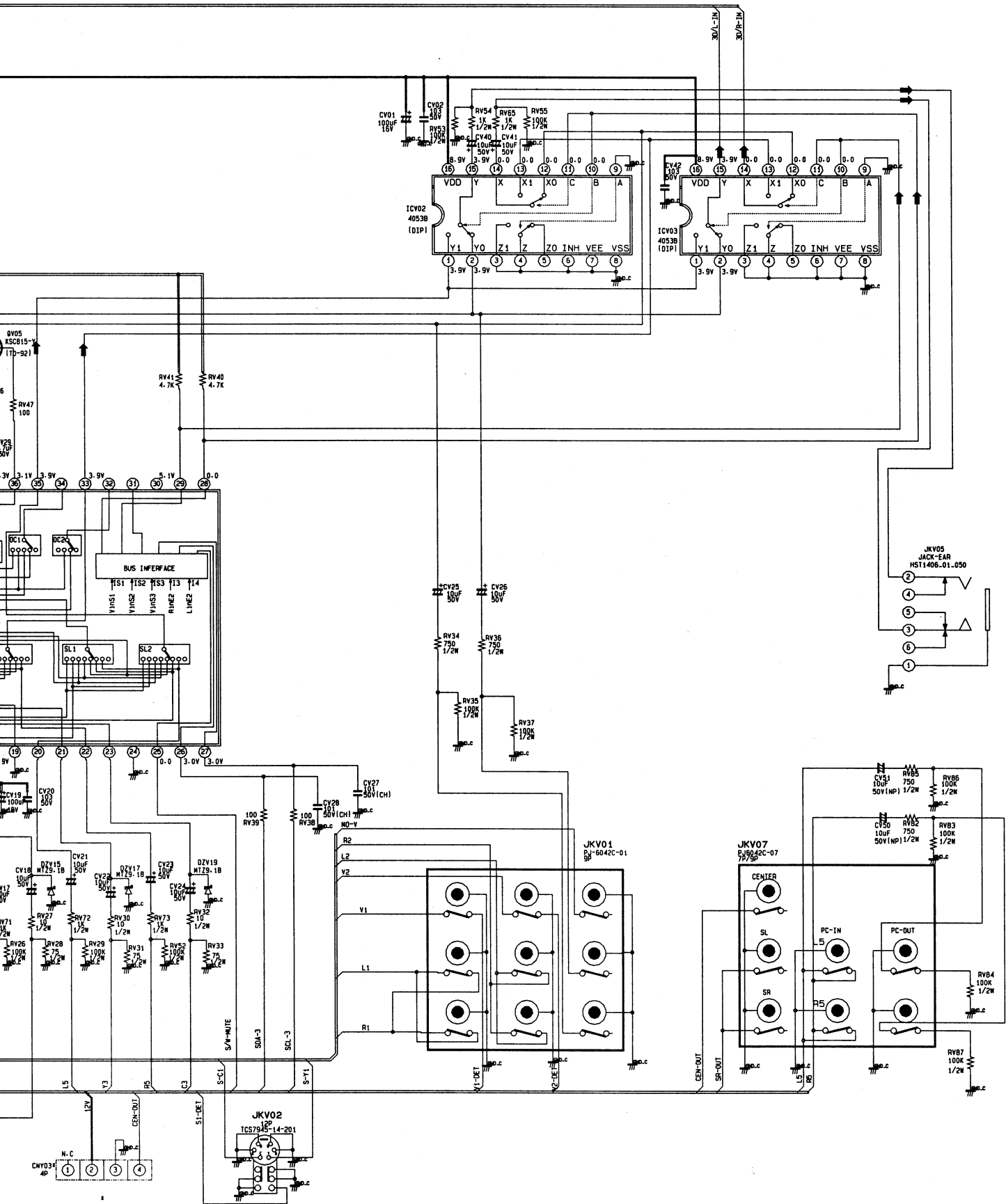




KBC
INVERTER

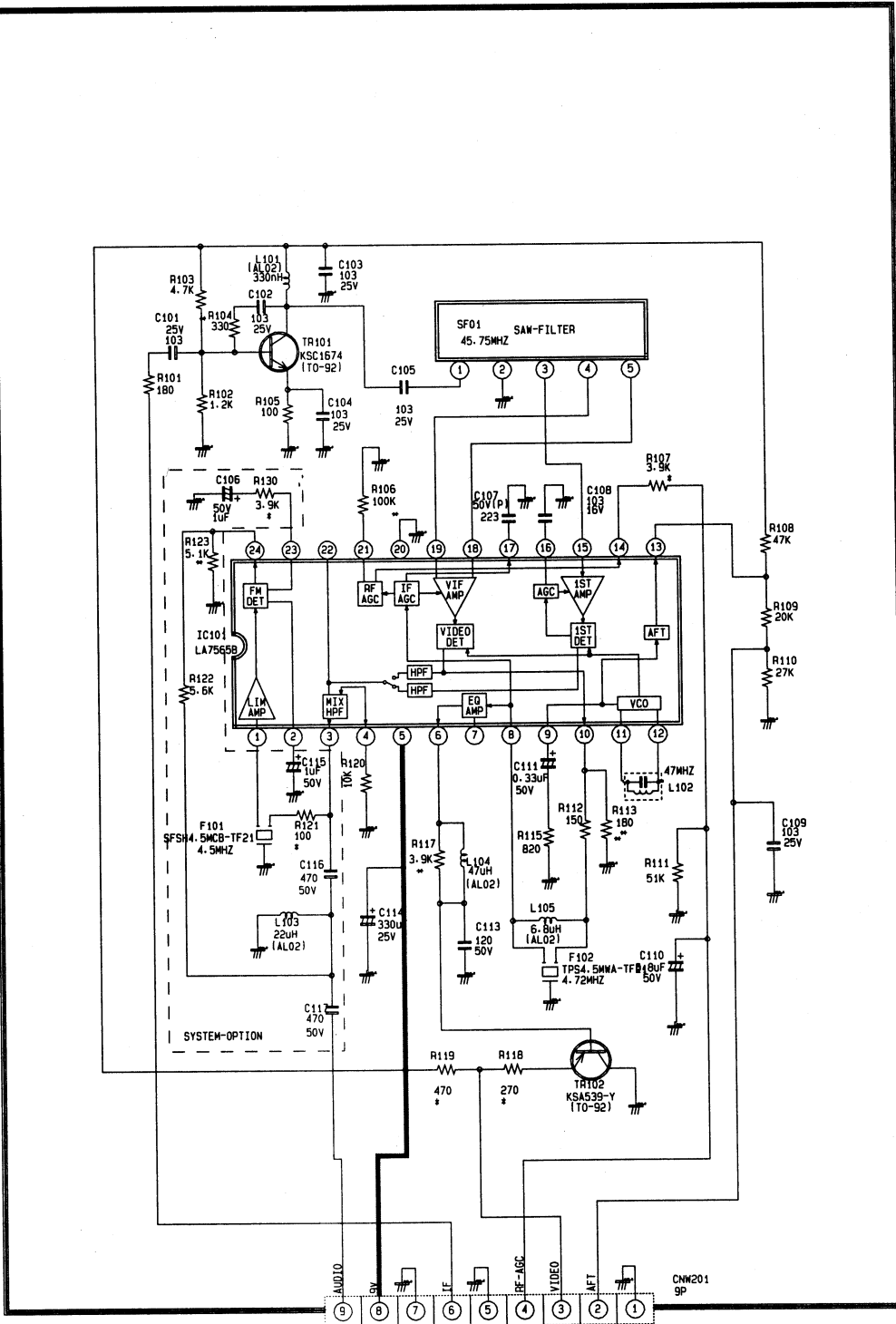
10-14 PIP



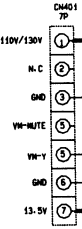


10-17 IF V/M MODULE

SCHEMATIC
CHASSIS
MODEL :
BOARD N
99/02/03



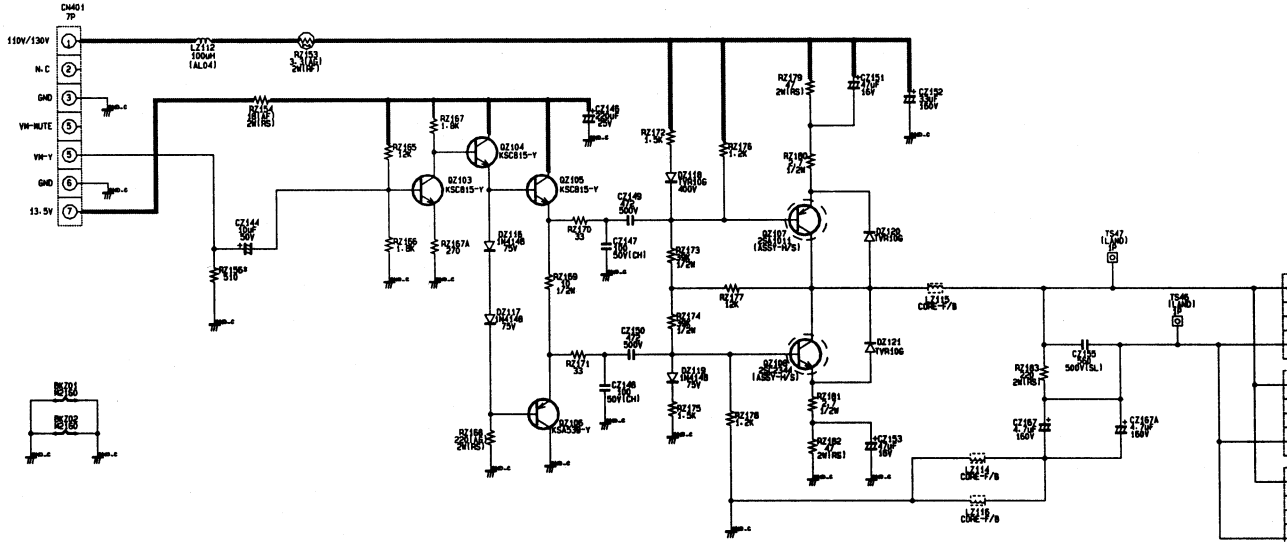
LOC.	KOR	USA
C117	50V47PF	JUMPER
C116	50V47PF	DEL
L103	AL0210UH	DEL
F101	DEL	SFSH4.5MCS
R121	DEL	1/8W100OHM
VR101	DEL	DEL
C106	DEL	50V1UF
C115	DEL	50V1UF
R123	DEL	1/8W5.1KOHM
R122	DEL	1/8W5.6KOHM
R130	DEL	1/8W3.9KOHM



SCHEMATIC DIAGRAM
 CHASSIS: P51A
 MODEL: PCJ523R
 BOARD NAME: V/M MODULE
 99/02/03

PCB NO : AA41-00018A
 ASSY NO : AA95-00054A

DC.	KOR	USA
117	50V47PF	JUMPER
116	50V47PF	DEL
103	AL0210UH	DEL
101	DEL	SFSH4.5MCS
121	DEL	1/8N1000HM
10101	DEL	DEL
106	DEL	50V1UF
115	DEL	50V1UF
1123	DEL	1/8W5.1KOHM
1122	DEL	1/8W5.6KOHM
1130	DEL	1/8W3.9KOHM

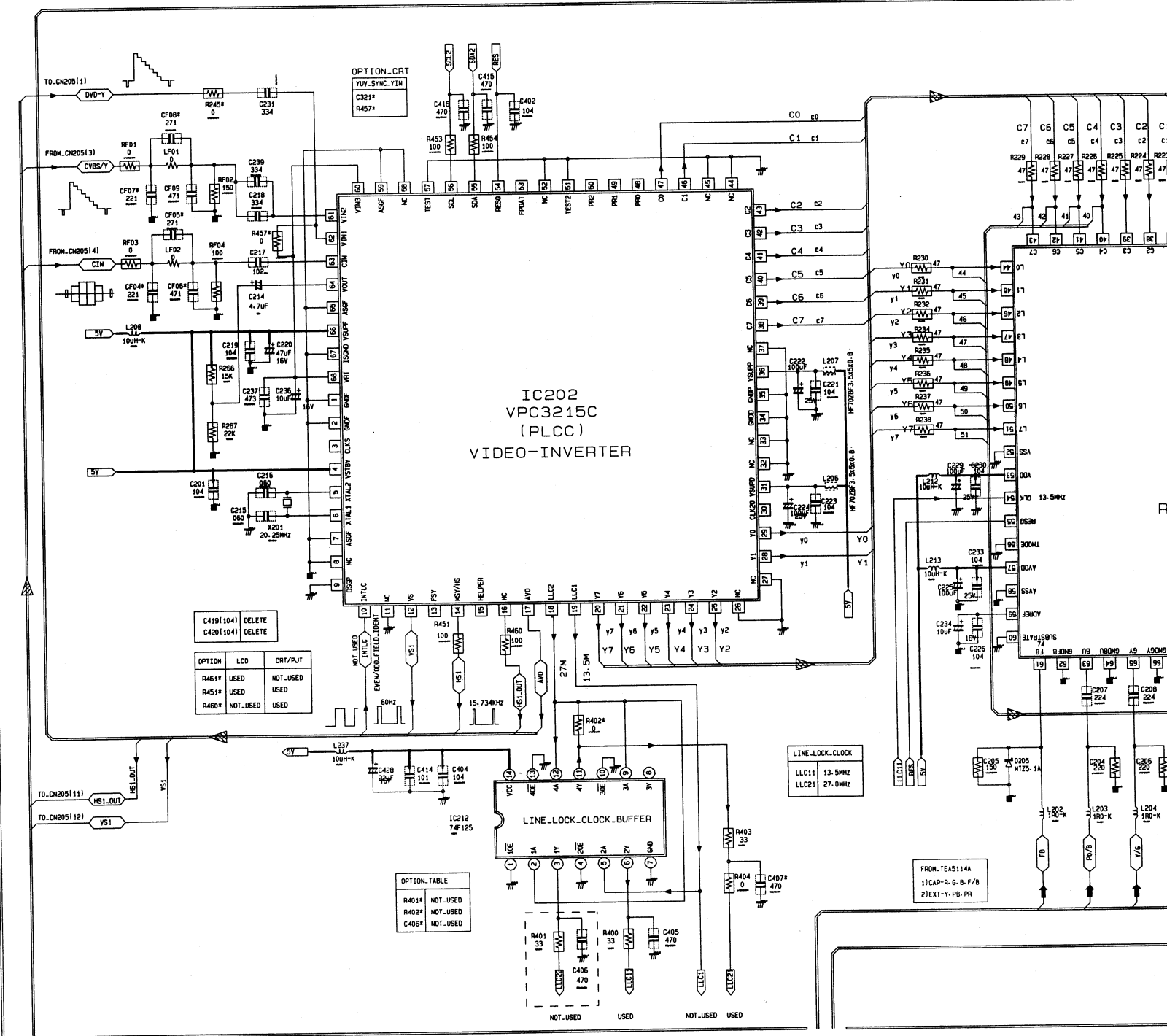


10-18 PROSCAN 1/4

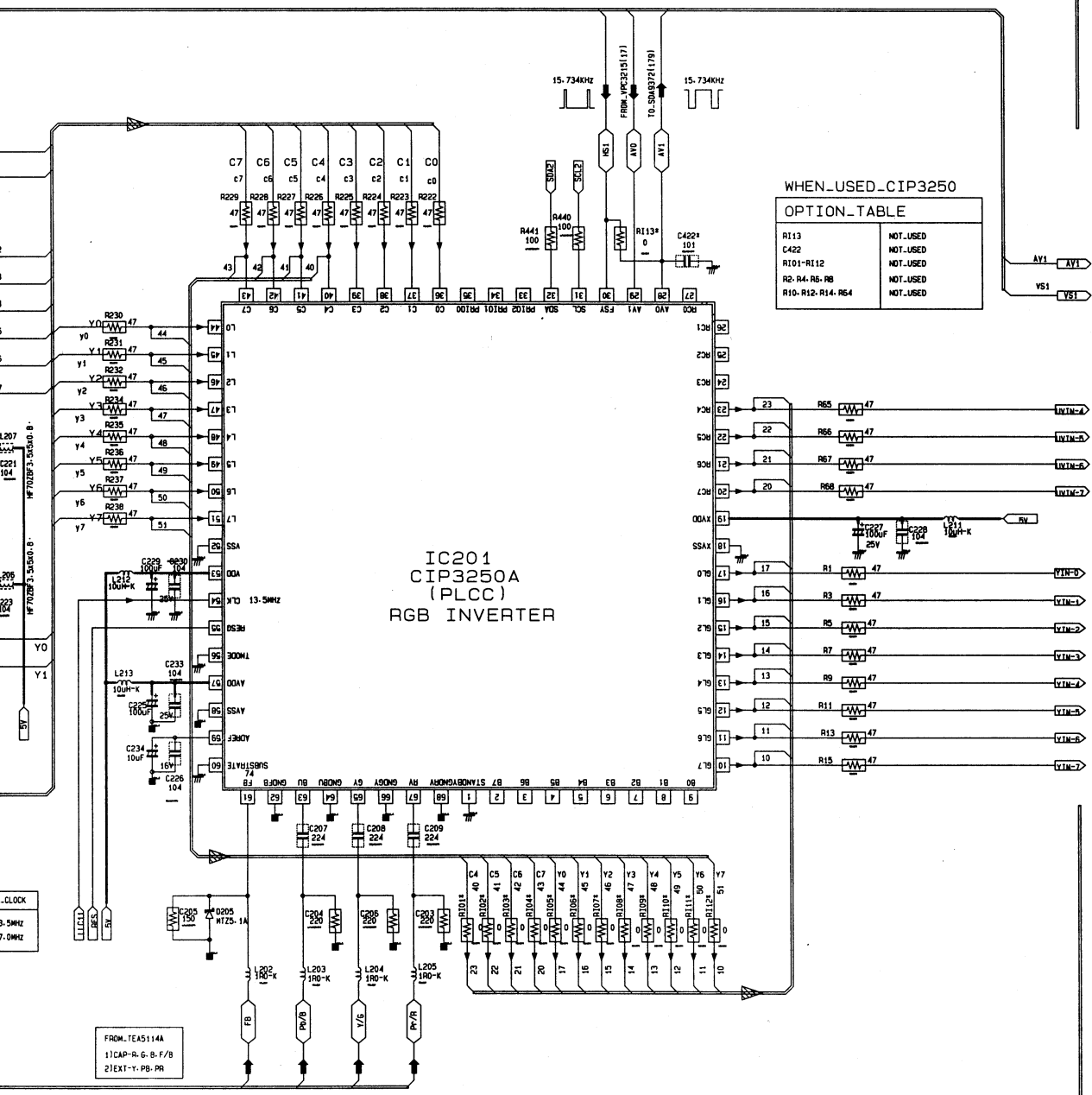
SCHEMATIC DIAGRAM
 CHASSIS: P51A
 MODEL: PCJ523R
 BOARD NAME: PROSCAN
 99.01.29

PCB CODE-NO : AA41-11016C
 ASSY CODE-NO : AA95-00172A

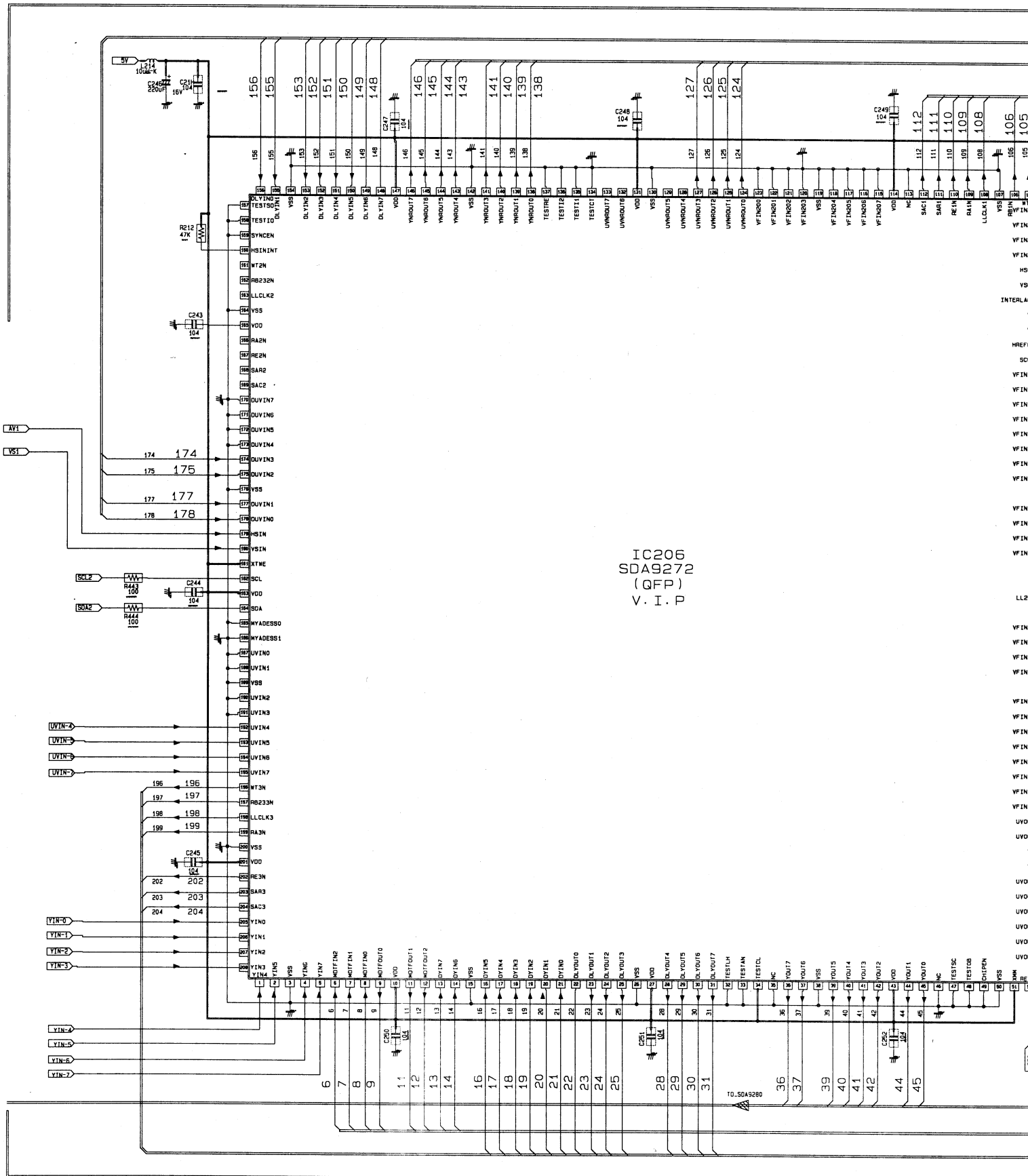
	PDM_CODE_NO.	FILE_NAME
SCHEMATIC		scanblock
PCB_DIAGRAM	DP990123-0019	4111016c
PCB_ARRAY	DP990123-0018	4111016c1

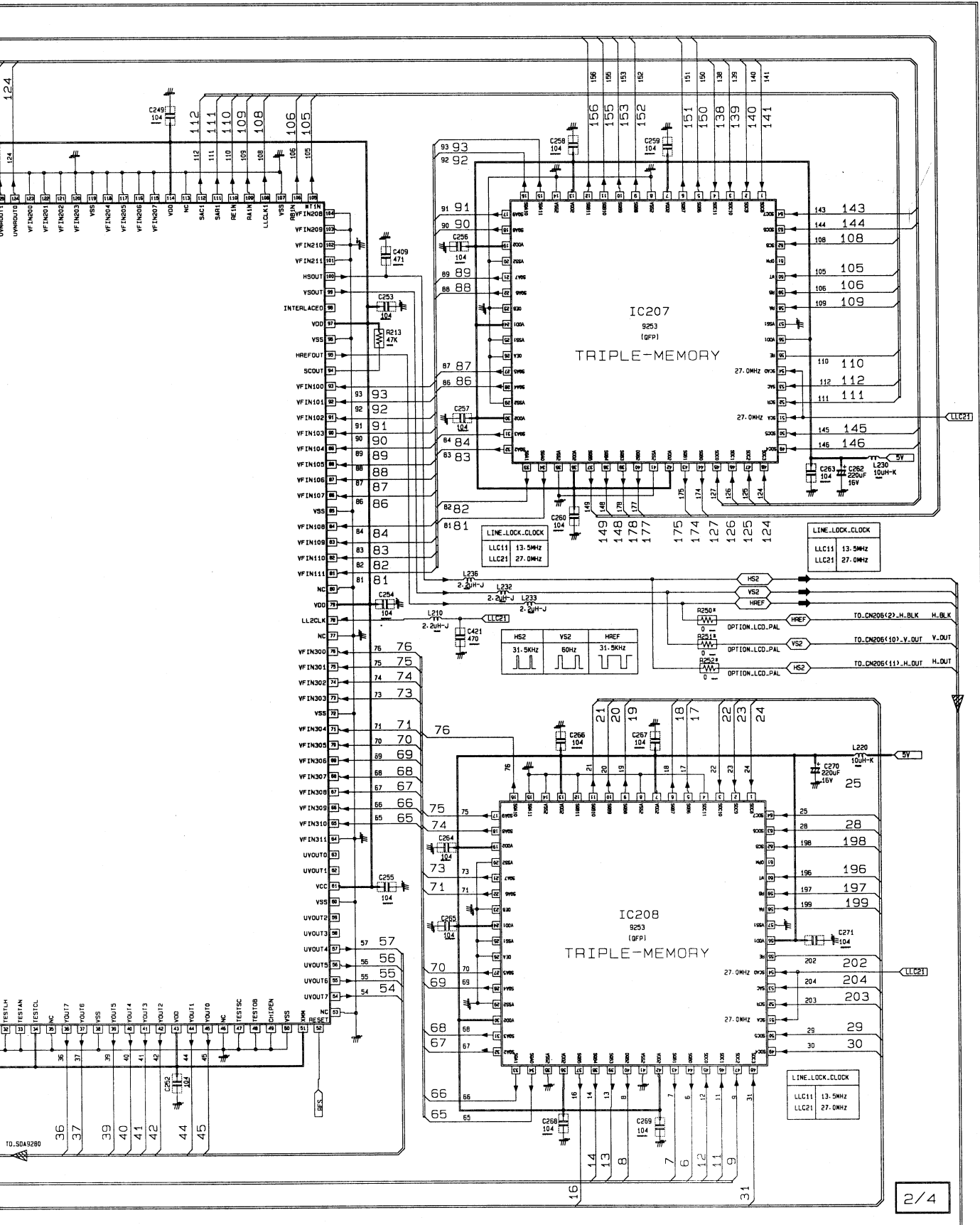


E
K
1



: Power Line
 : Signal Line





10-20 PROSCAN 3/4

