

4.1 OVERALL WIRING DIAGRAMS

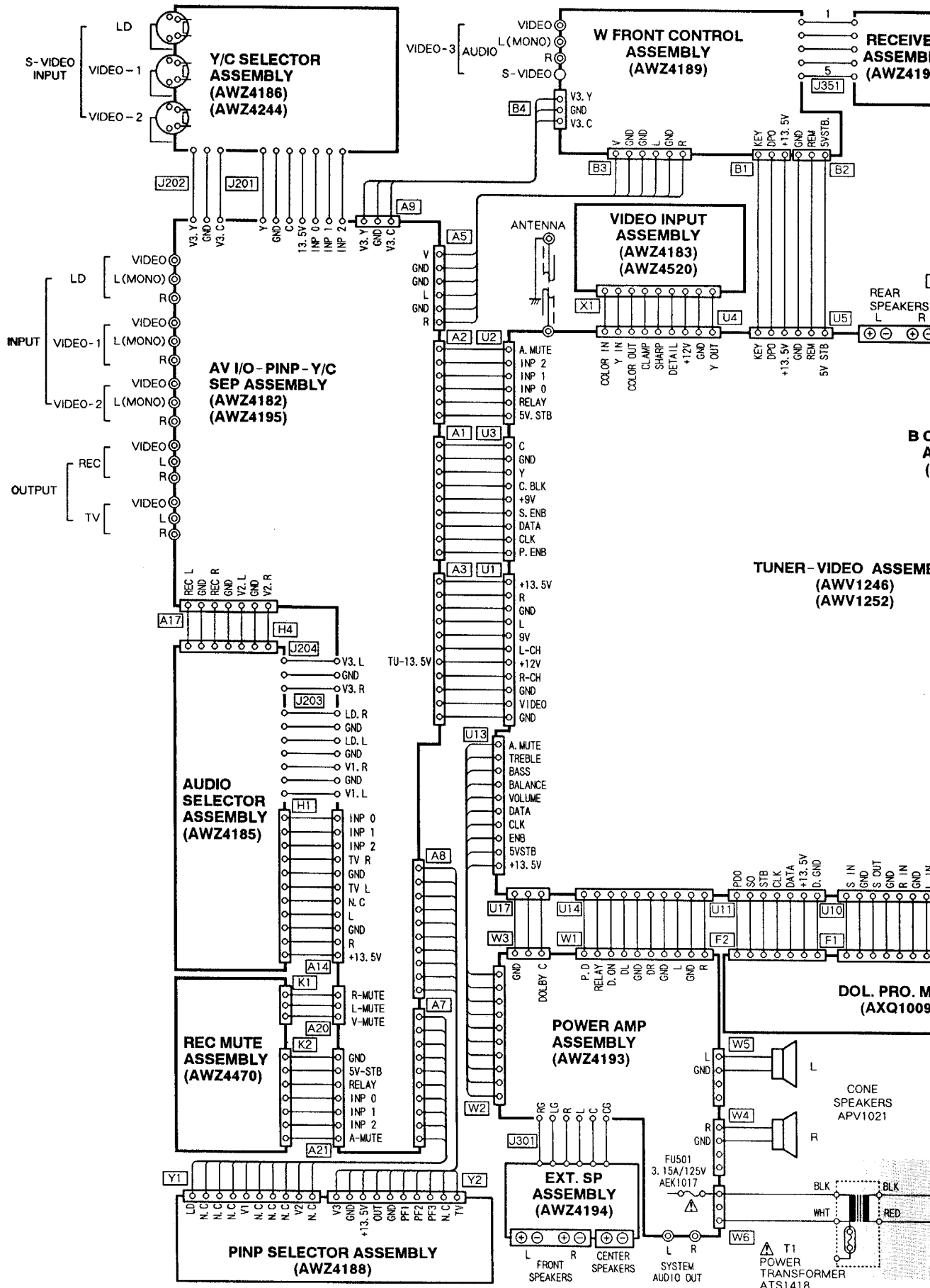
(1) SD - P5065 - K, SD - P5065 - Q, SD - P5064 - K, SD - P5064 - Q, SD - P4565 - K, SD - P4565 - Q, SD - P4564 - K

A

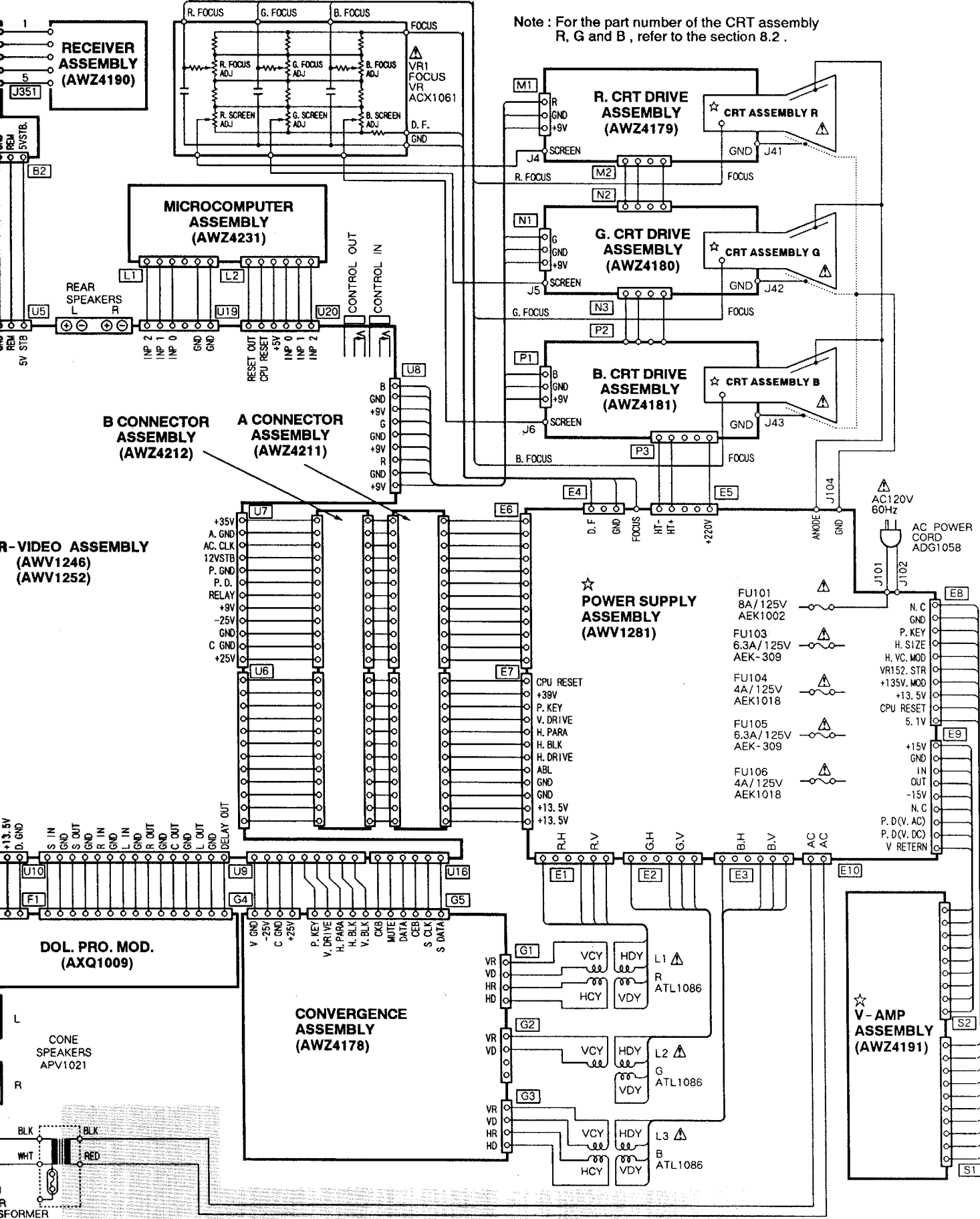
B

C

D



SD-P4564-K, SD-P4564-Q, SD-P5565-K, SD-P5564-K and SD-P5564-Q/KUX1C

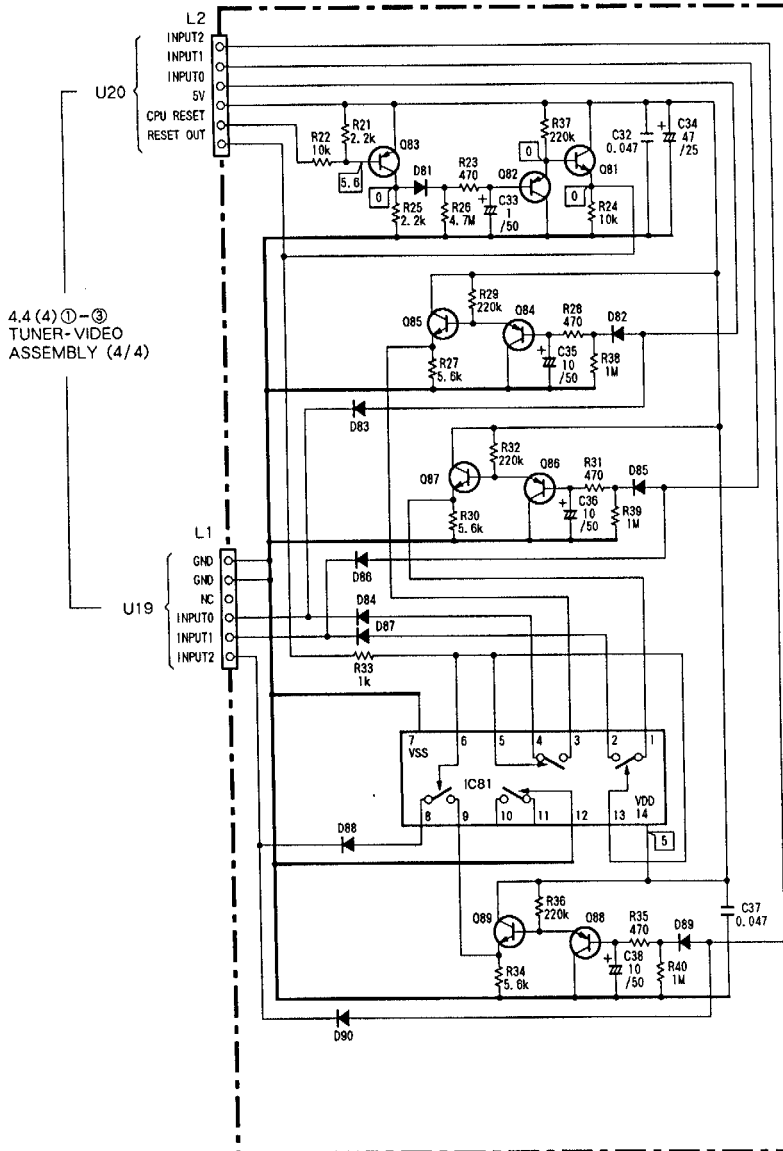


Note : For the part number of the CRT assembly R, G and B , refer to the section 8.2 .

A
B
C
D

4.6 MICROCOMPUTER ASSEMBLY

MICROCOMPUTER ASSEMBLY (AWZ4231)



- | | |
|--------------|----------|
| IC81 | TC4066B |
| Q81,85,87,89 | 2SC1740S |
| Q82-84,86,88 | 2SA933S |
| D81-90 | 1SS252 |

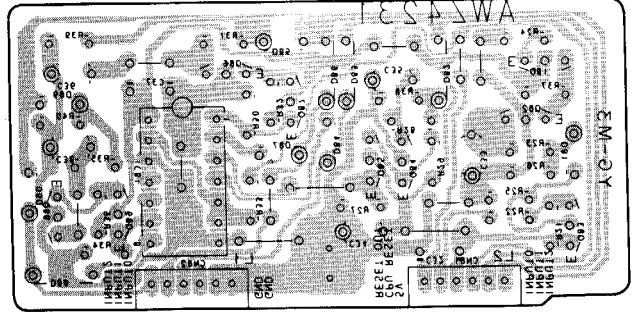
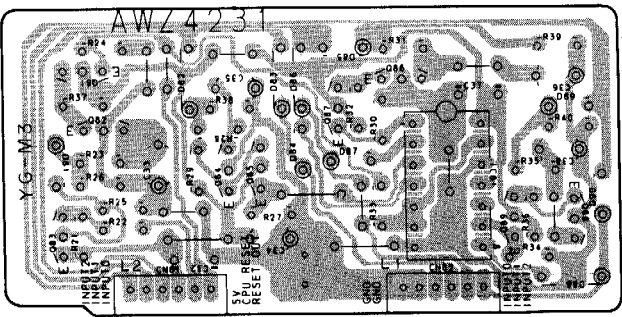
: DC voltage (V) at no input signal.

MICROCOMPUTER ASSEMBLY (AWZ4231)

MICROCOMPUTER ASSEMBLY (AWZ4231)

- Q81-Q83 Q84 Q85 Q87 Q86 IC81 Q89 Q88

- IC81 Q88 Q89 Q88 Q80 Q85 Q82 Q80 Q84 Q80 Q88 Q80-180



Note: Abbreviation listed indicate circuit connections.

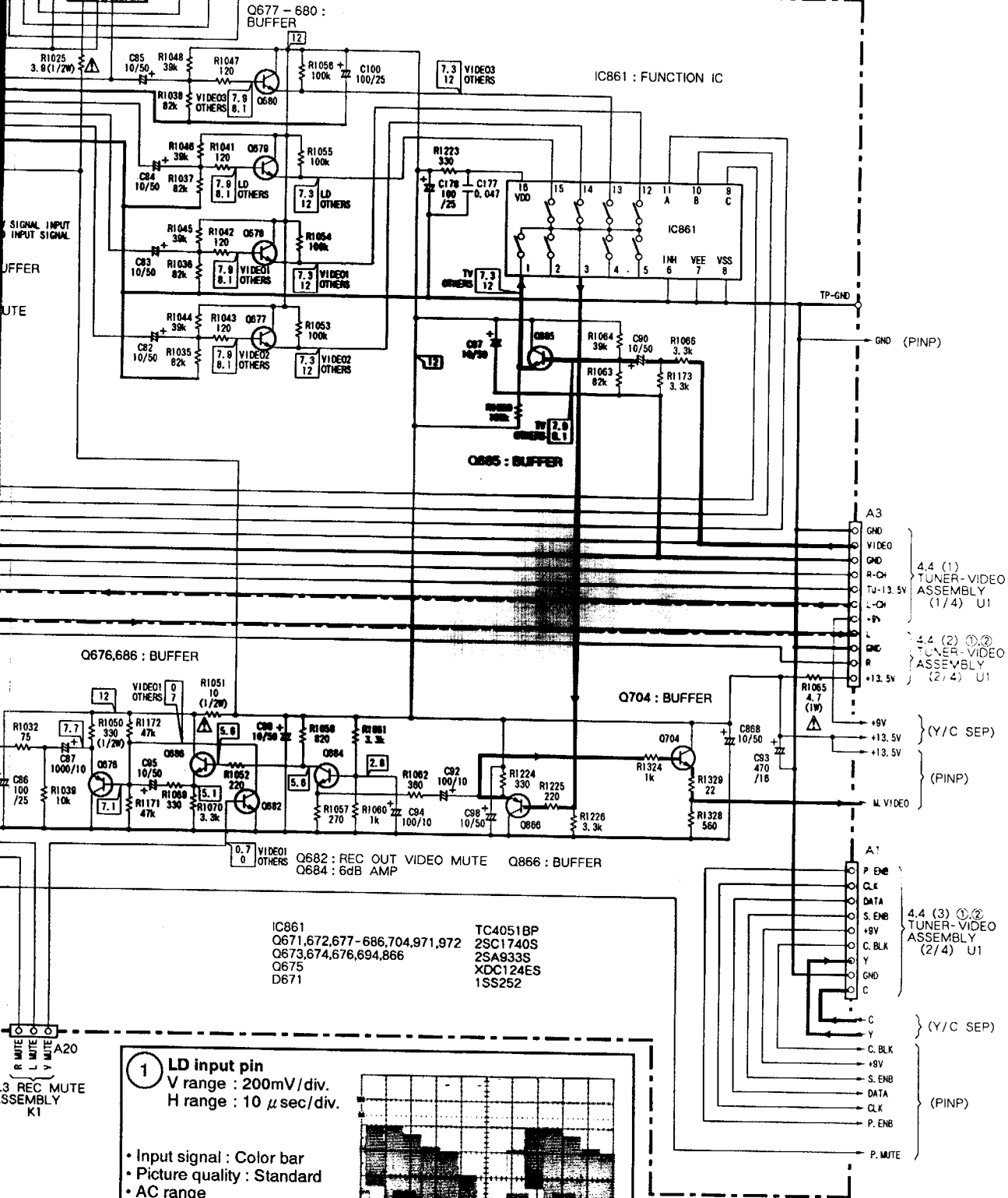
PINP : 4.2 (2) AV I/O-PINP-Y/C SEP ASSEMBLY (2/3)
 Y/C SEP : 4.2(3) ① AV I/O-PINP-Y/C SEP ASSEMBLY (3/3)

PINP SELECTOR ASSEMBLY Y2

(PINP)

AV I/O-PINP-Y/C SEP ASSEMBLY (1/3)
 (AWZ4182), (AWZ4195)

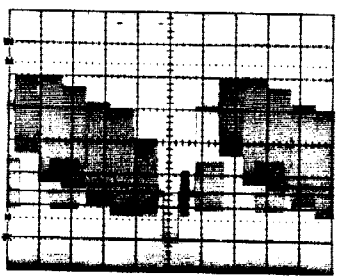
● AV I/O SECTION



A
B
C
D

① LD input pin
 V range : 200mV/div.
 H range : 10 μsec/div.

- Input signal : Color bar
- Picture quality : Standard
- AC range



4.2 AV I/O-PINP-Y/C SEP ASSEMBLY

(1) AV I/O-PINP-Y/C SEP ASSEMBLY (1/3 : AV I/O SECTION)

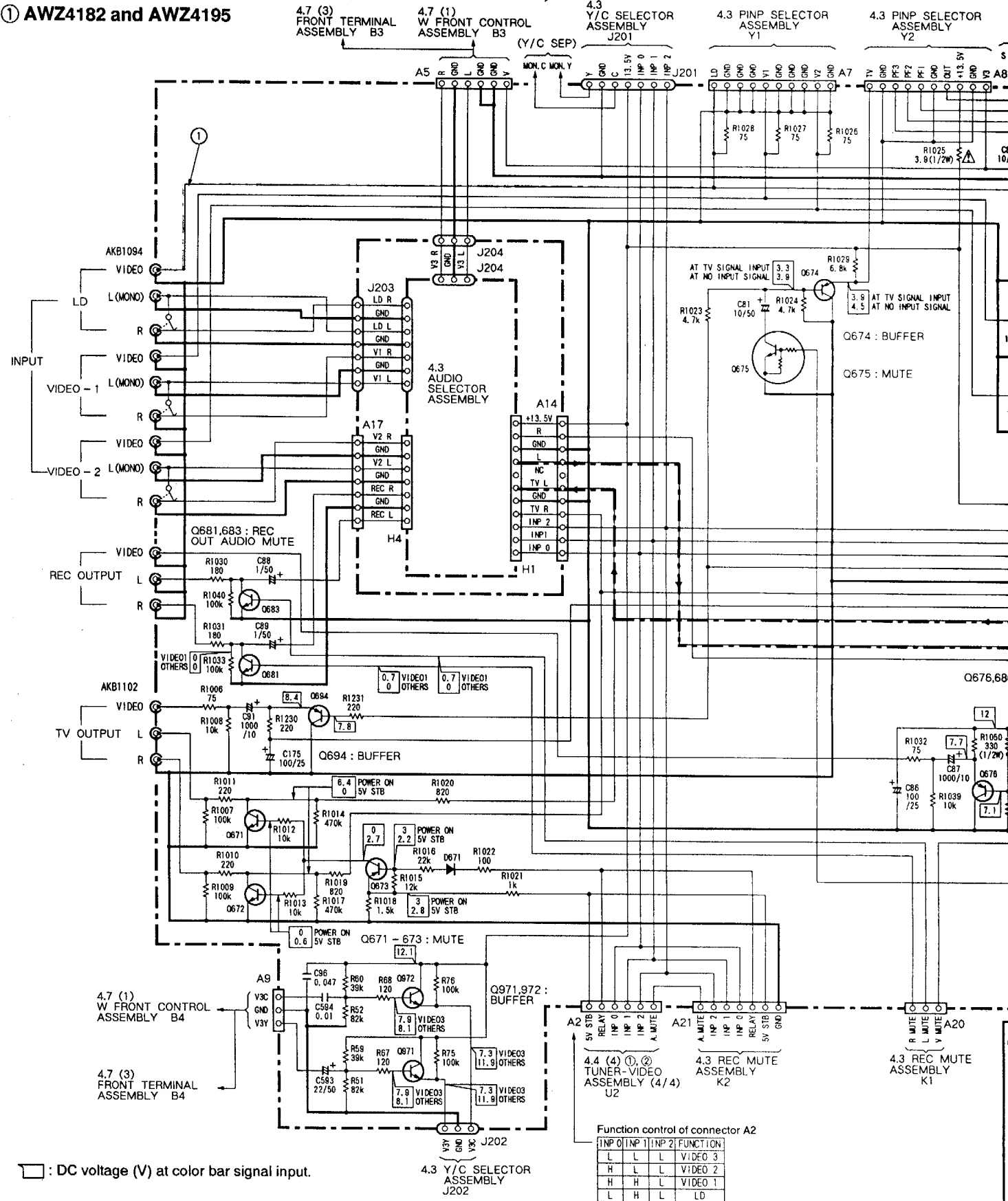
① AWZ4182 and AWZ4195

A

B

C

D



Function control of connector A2

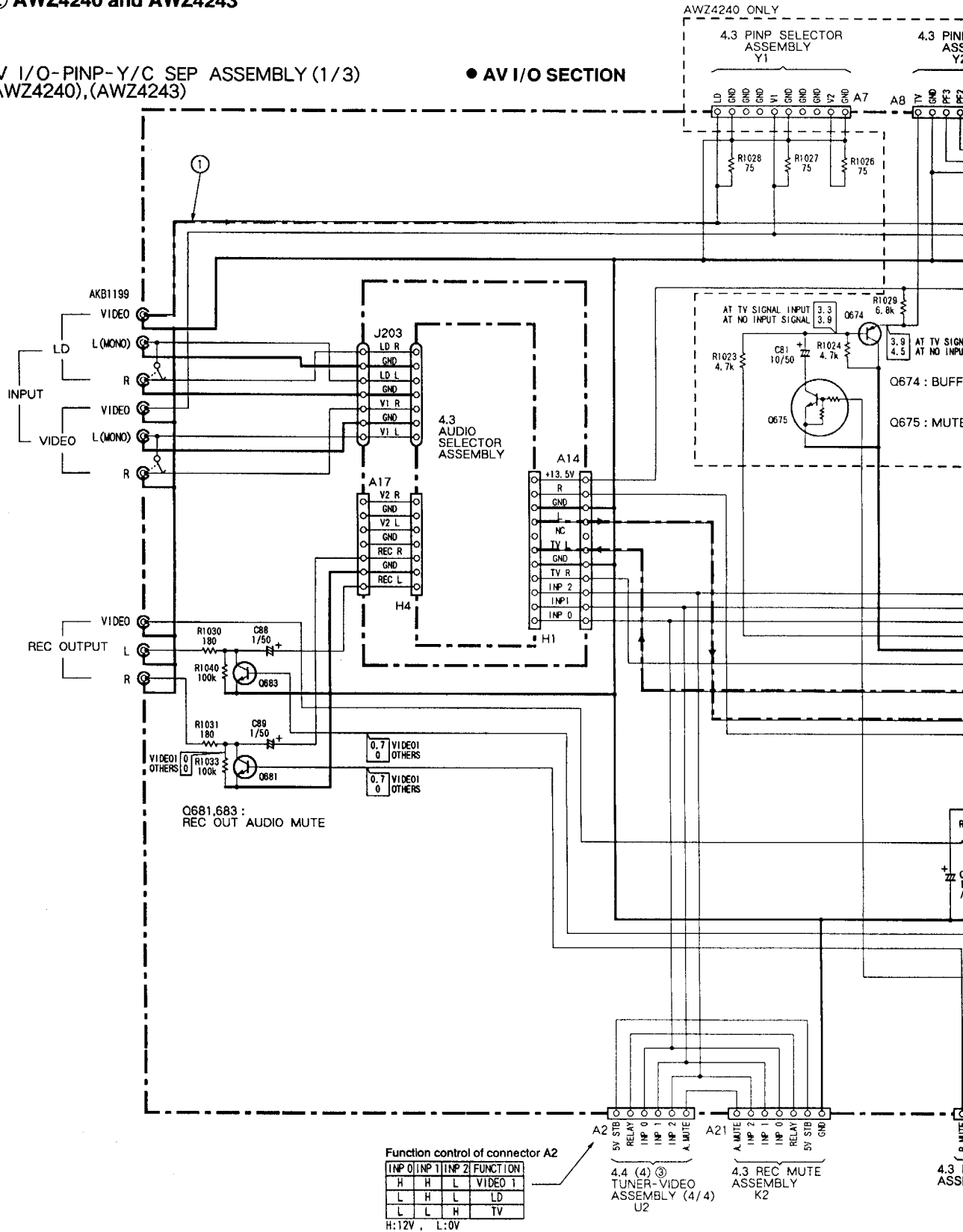
INP 0	INP 1	INP 2	FUNCTION
L	L	L	VIDEO 3
H	L	L	VIDEO 2
H	H	L	VIDEO 1
L	H	L	LD
L	L	H	TV

H: 12V, L: 0V

② AWZ4240 and AWZ4243

AV I/O-PINP-Y/C SEP ASSEMBLY (1/3)
(AWZ4240),(AWZ4243)

● AV I/O SECTION



Function control of connector A2

INP 0	INP 1	INP 2	FUNCTION
H	H	L	VIDEO 1
L	H	L	LD
L	L	H	TV

H:12V, L:0V

□ : DC voltage (V) at color bar signal input.

A

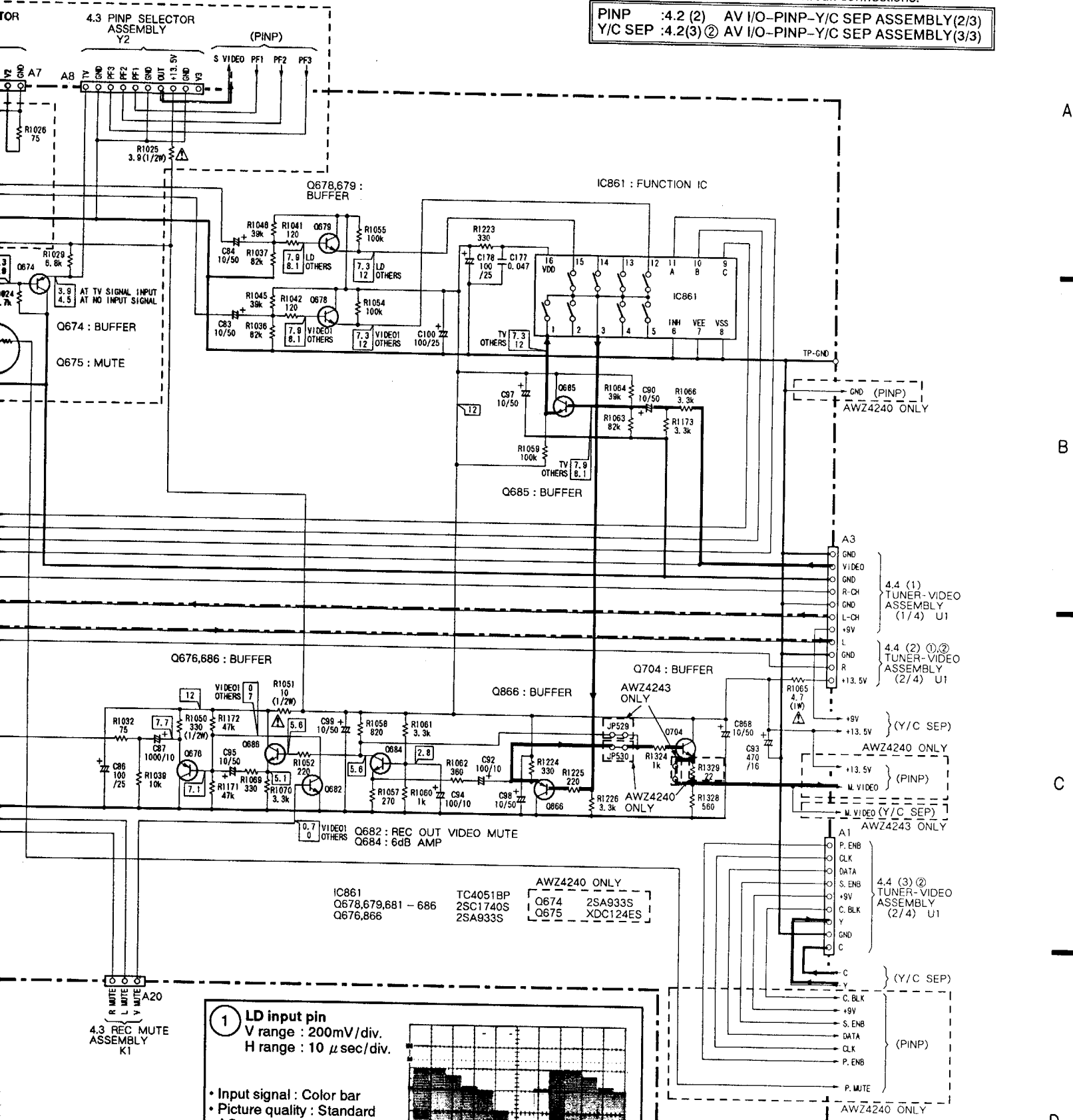
B

C

D

Note: Abbreviation listed indicate circuit connections.

PINP : 4.2 (2) AV I/O-PINP-Y/C SEP ASSEMBLY (2/3)
 Y/C SEP : 4.2(3) (2) AV I/O-PINP-Y/C SEP ASSEMBLY (3/3)



① LD input pin
 V range : 200mV/div.
 H range : 10 μsec/div.

- Input signal : Color bar
- Picture quality : Standard
- AC range

(2) AV I/O-PINP-Y/C SEP ASSEMBLY (2/3 : PINP SECTION)

AV I/O-PINP-Y/C SEP ASSEMBLY (2/3) ● PINP SECTION (AWZ4182),(AWZ4195),(AWZ4240)

(AV I/O)

(Y/C SEP)

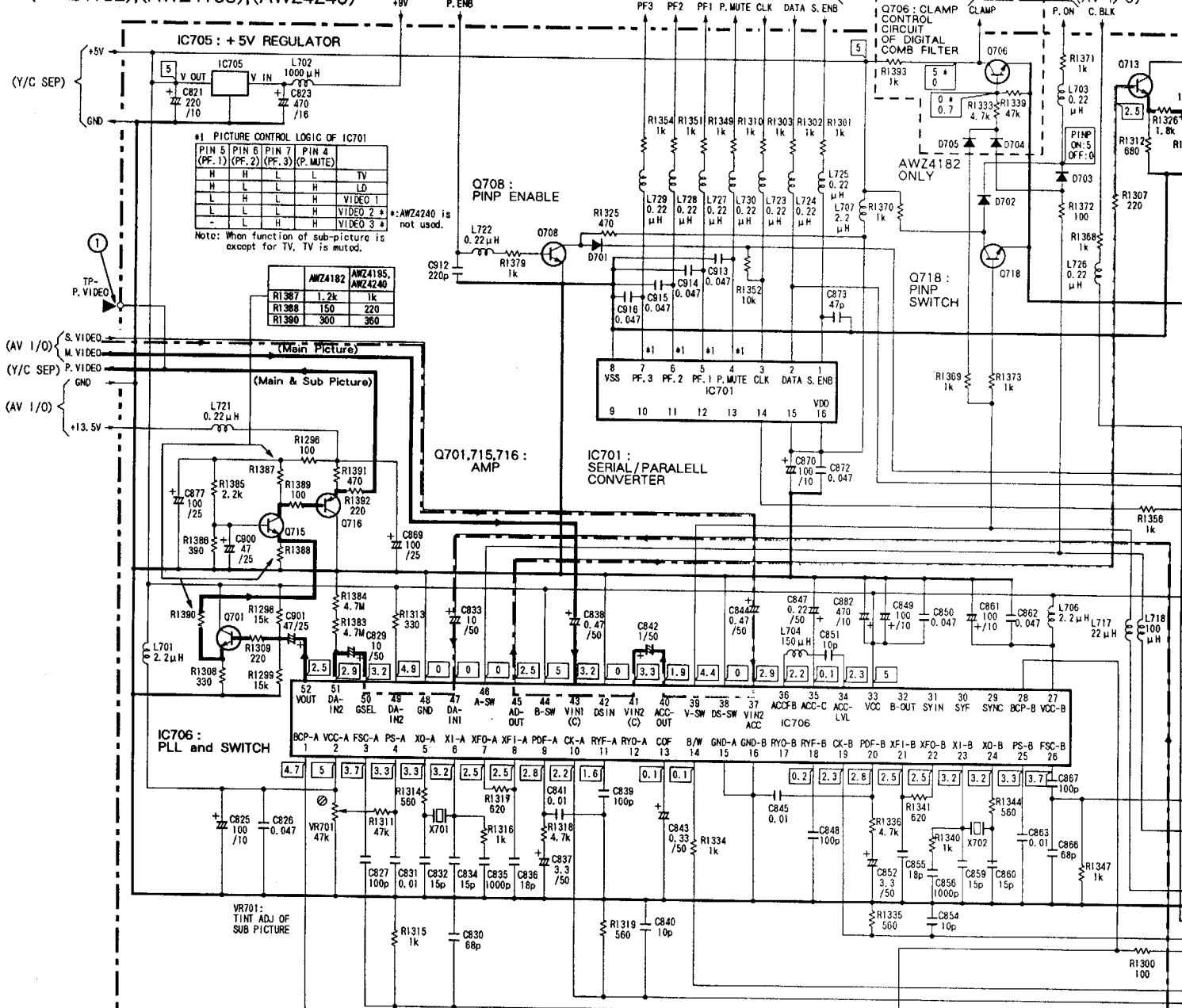
Note

A

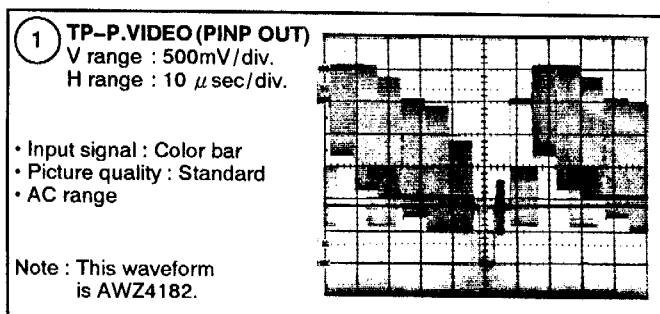
B

C

D



- | | | | |
|-----------------------|-------------|----------------|------------|
| IC701 | TC4094BP | D701 - 703 | 1SS252 |
| IC702 | MB40176PF | L701,705 - 713 | LAU2R2J |
| IC703 | MBB1C1501PF | L702 | ATH1046 |
| IC704 | MBB6153BP | L703,721 - 730 | LAUR22M |
| IC705 | NJM78M05FAS | L704 | LAU151K |
| IC706 | MB3511P | L715 | LAU100K |
| Q701,702,708 - 710, | 2SC1740S | L717 | LAU220K |
| Q713 - 715,718 | | L718 | LAU101K |
| Q703,705,707,711,712, | 2SA933S | VR701 | VRTB6VS473 |
| Q716,717,719 | | X701,702 | ASS1056 |

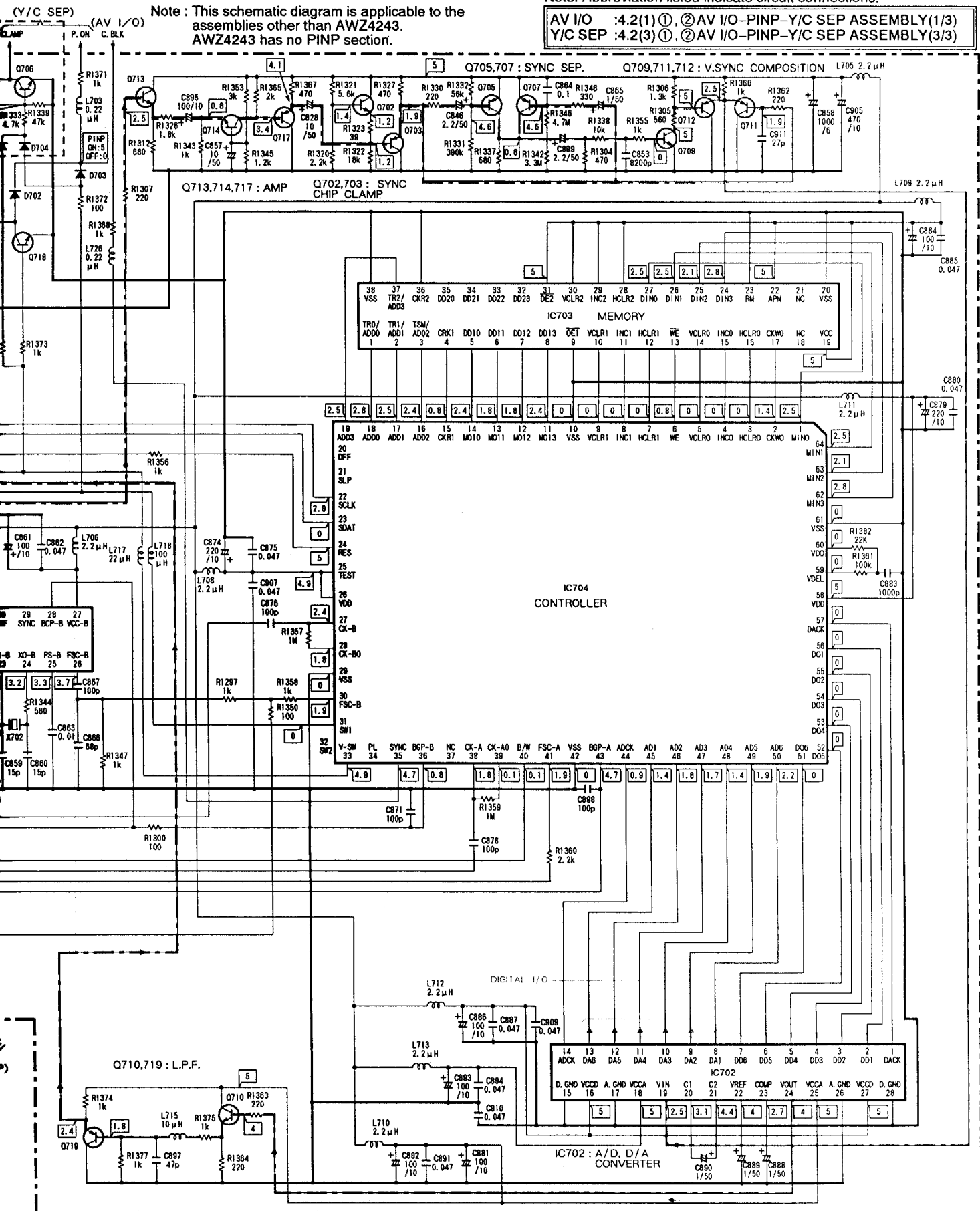


□ : DC voltage (V) at color bar signal input.
 Voltage of * marked is at STILL or MULTI ON of PINP.

Note: This schematic diagram is applicable to the assemblies other than AWZ4243. AWZ4243 has no PINP section.

Note: Abbreviation listed indicate circuit connections.

AV I/O :4.2(1) ①, ② AV I/O-PINP-Y/C SEP ASSEMBLY(1/3)
 Y/C SEP :4.2(3) ①, ② AV I/O-PINP-Y/C SEP ASSEMBLY(3/3)

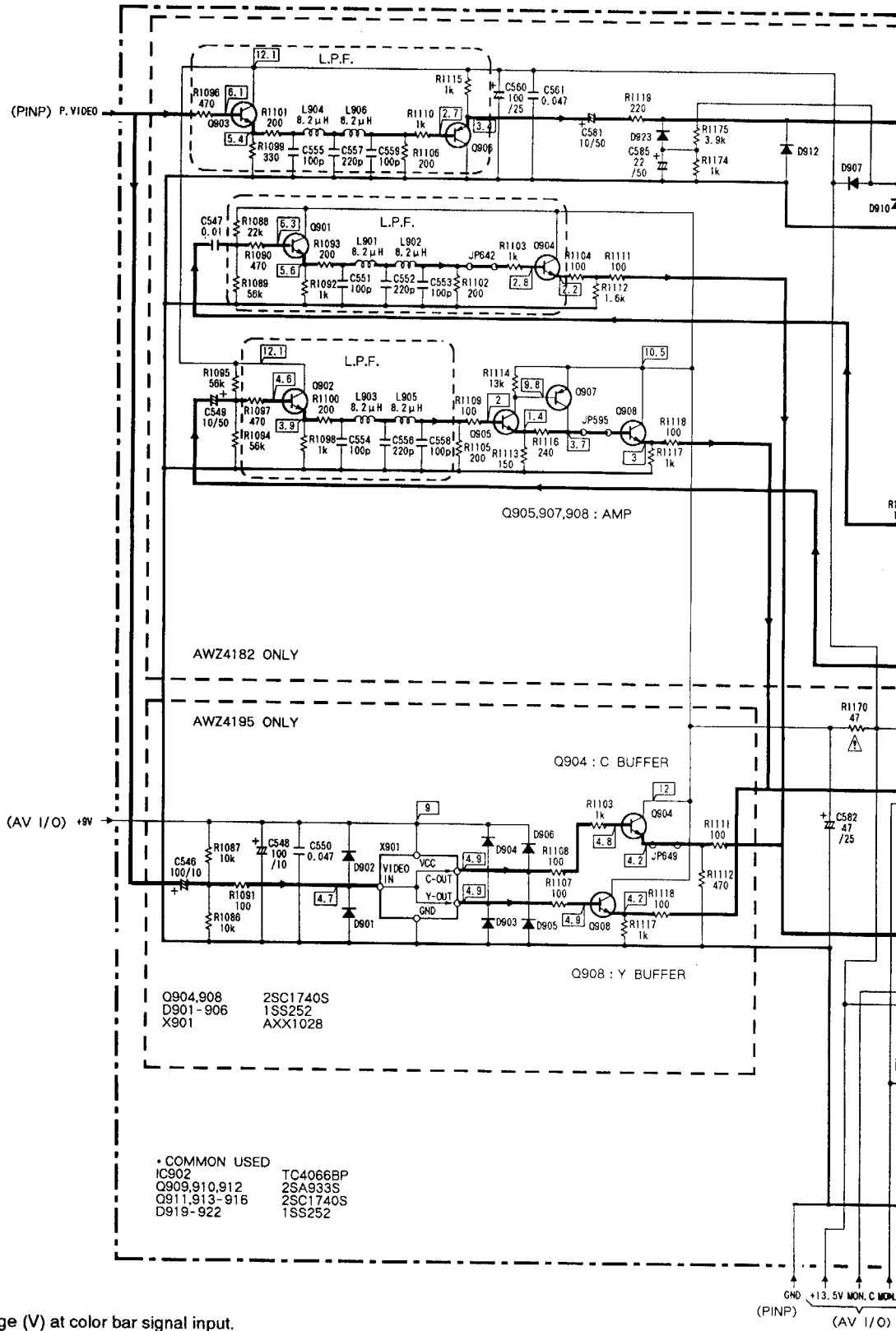


input.
or MULTI ON of PINP.

(3) AV I/O-PINP-Y/C SEP ASSEMBLY (3/3 : Y/C SEP SECTION)

① AWZ4182 and AWZ4195

AV I/O-PINP-Y/C SEP ASSEMBLY (3/3) (AWZ4182), (AWZ4195) ● Y/C SEP SECTION

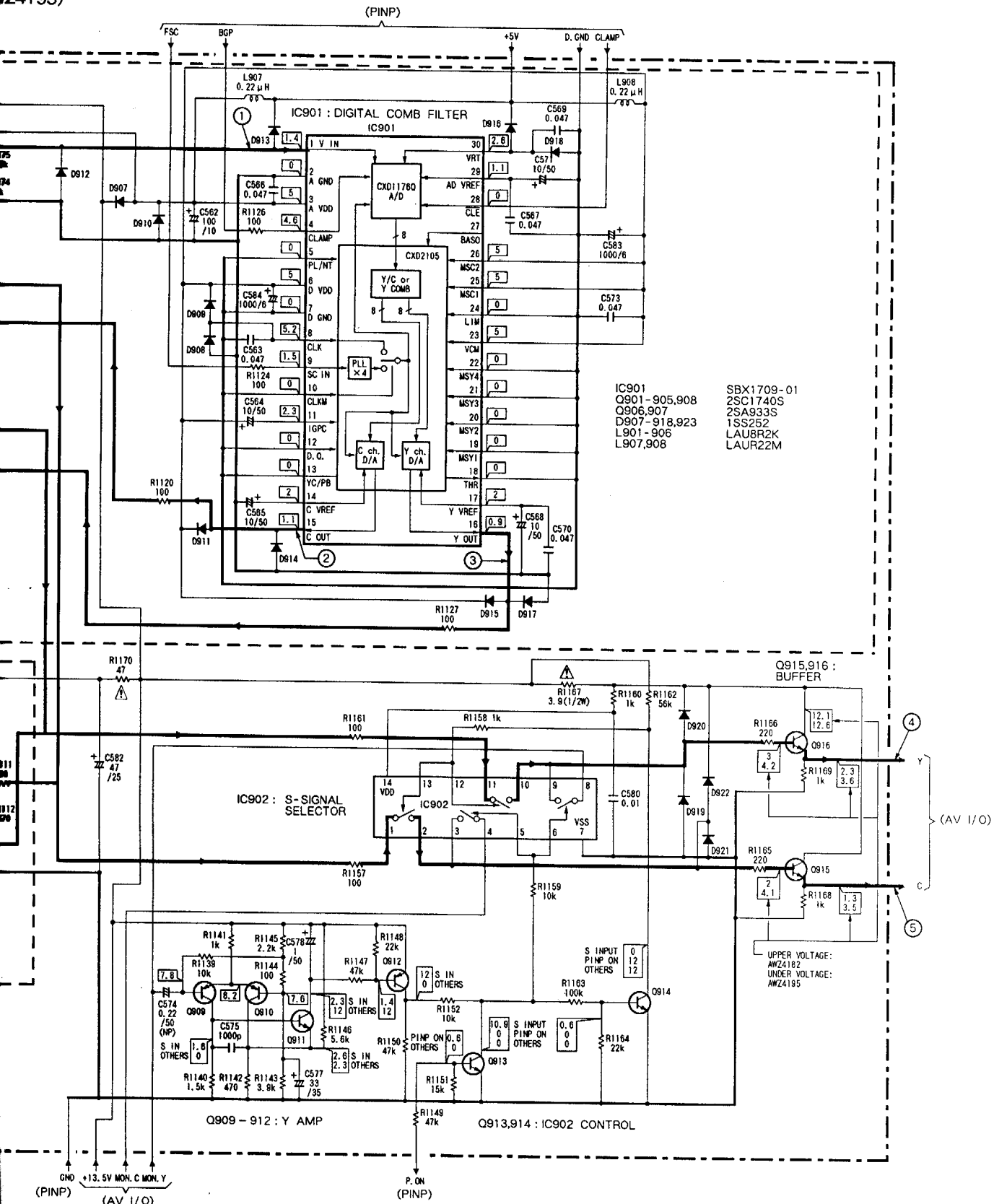


Note: Abbreviation listed indicate circuit connections.

AV I/O : 4.2(1) AV I/O-PINP-Y/C SEP ASSEMBLY(1/3)
PINP : 4.2(2) AV I/O-PINP-Y/C SEP ASSEMBLY(2/3)

ON)

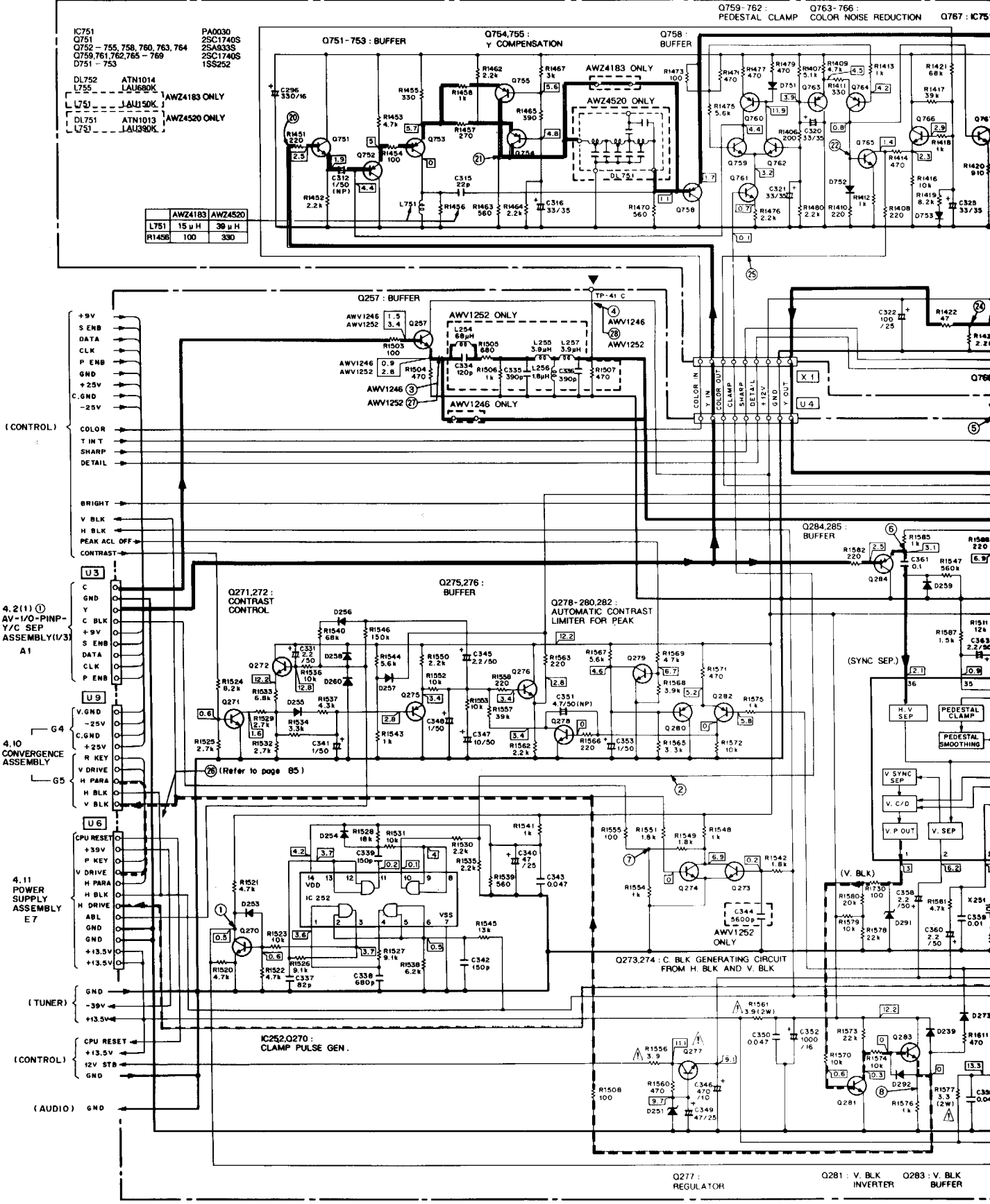
Z4195)



(3) TUNER-VIDEO ASSEMBLY (3/4 : VIDEO SECTION) AND VIDEO INPUT ASSEMBLY

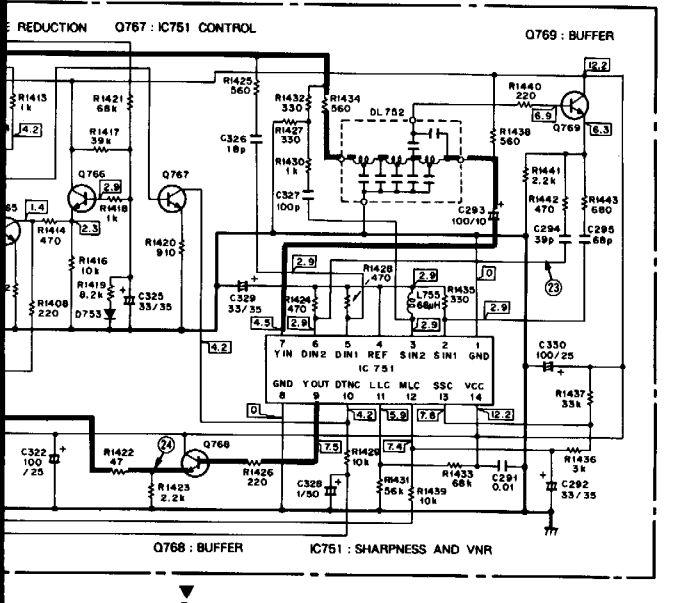
① TUNER-VIDEO ASSEMBLY (AWV1246 and AWV1252) and VIDEO INPUT ASSEMBLY (AWZ4183 and AWZ4520)

VIDEO INPUT ASSEMBLY (AWZ4183), (AWZ4520)

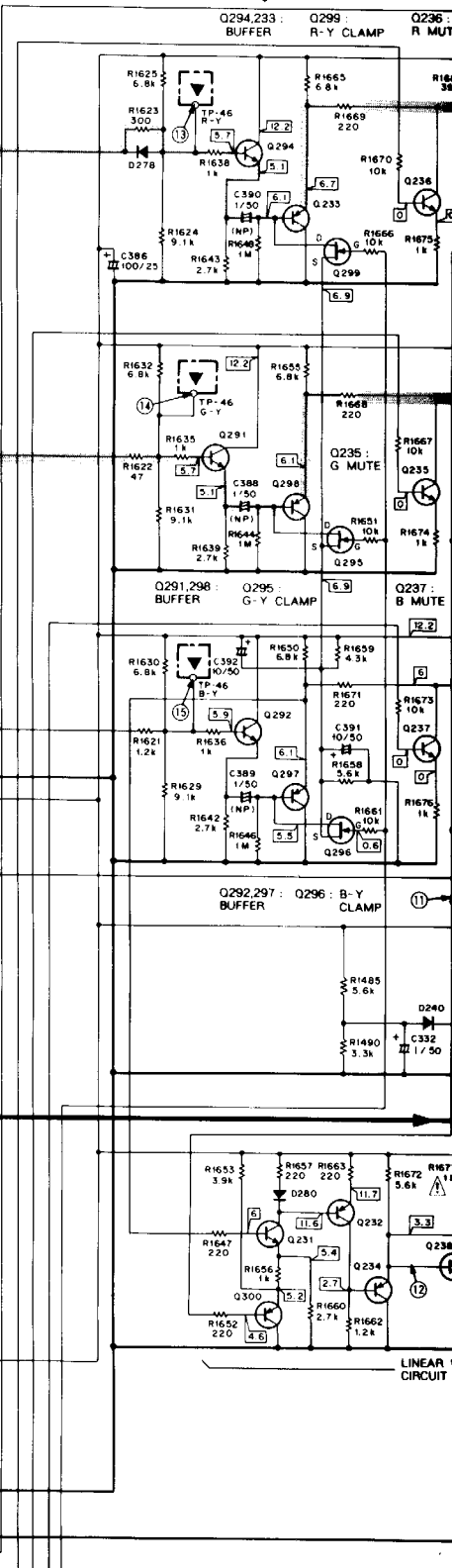
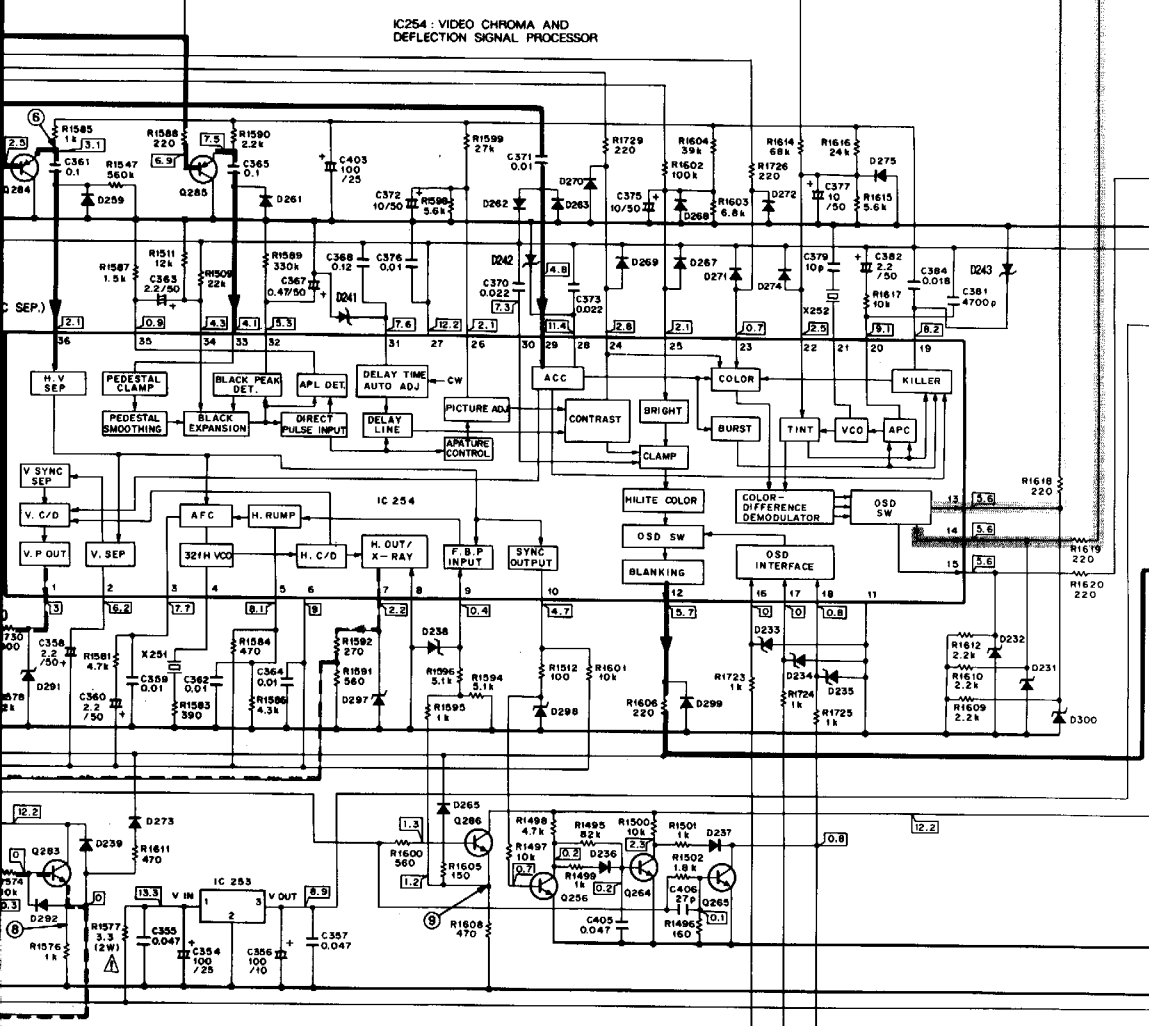


□ : DC voltage (V) at no input signal.

TUNER-VIDEO ASSEMBLY (3/4) (AWV1246), (AWV1252)
● VIDEO SECTION



- IC252
- IC253
- IC254
- Q231, 235-237, 243-245, 247, 250, 251, 256, 257, 264, 265, Q270-274, 276-279, 281, 283, Q286, 289, 291-294, Q292-294, 298-242, 246, 248, D249, 275, 280, 282, 284, 285, Q288, 290, 297, 298, 300, Q295, 296, 299, Q291, 295, D236, 237, 239, 240, 253-258, D260-263, 265, 267-275, D278-281, 288-290, 292, 299, D238, 259, 291, 297, 298, 300, D251, D282-287
- MC14011BCP
- NUM7809FAS
- TAB801AN
- Z5C1740S
- 2SA933S
- 2SK246
- RD15ESB
- 1S5252
- RD15ESB
- HZS11A1L
- 11E2
- L260-262
- LAU4R7K
- ACP1037
- VR252
- ACP1038
- VR253
- ACP1042
- X251
- ASS1019
- X252
- ASS1020
- L254
- LAU680K
- L255, 257
- LAU39K
- L256
- LAU198M
- AWV1252 ONLY
- Q241-243
- RD15ESB



Q283: V. BLK BUFFER

IC253: REGULATOR

Q296: BUFFER

Q256,264,265: MUTE FOR NO SIGNAL

OSD RED

OSD GREEN

OSD BLUE

(CONTROL)

R-Y OFF

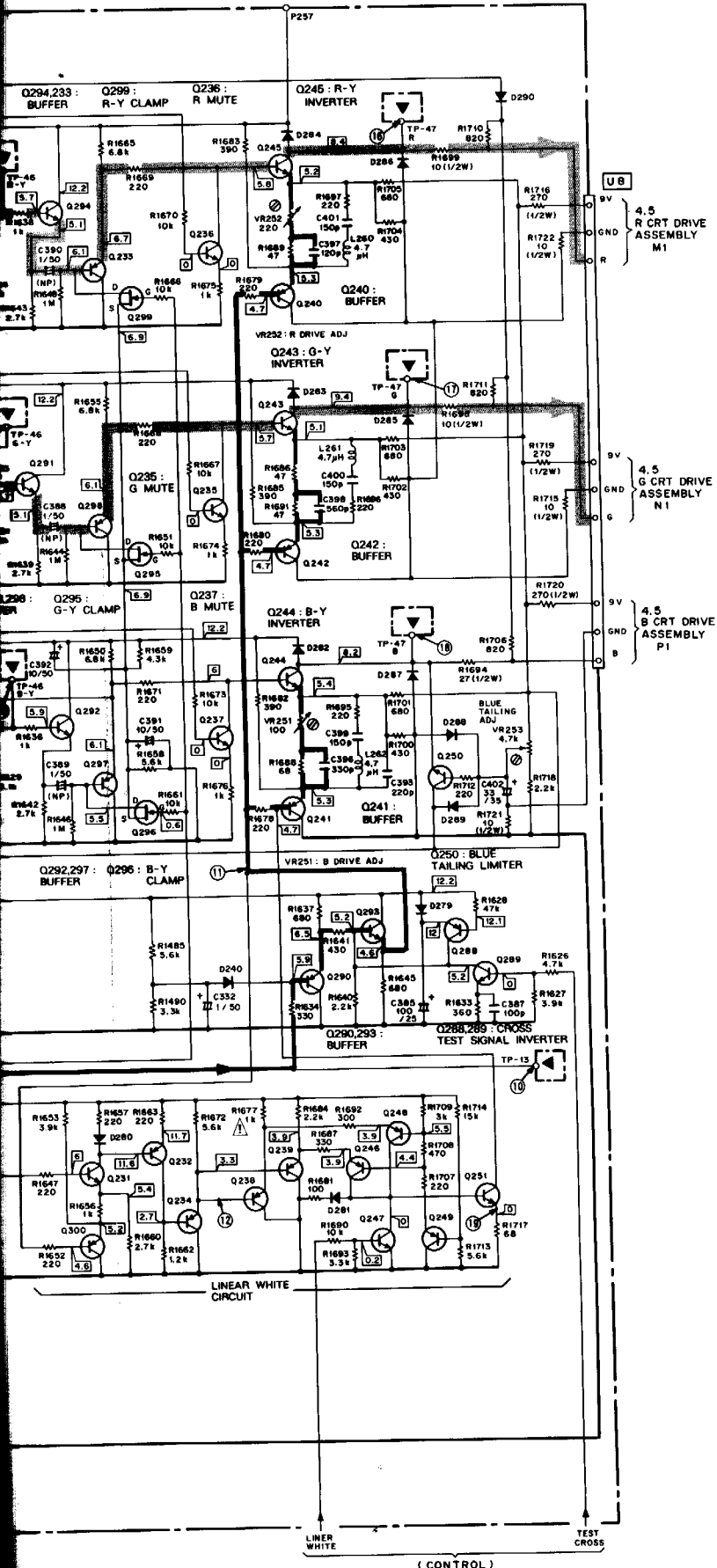
G-Y OFF

B-Y OFF

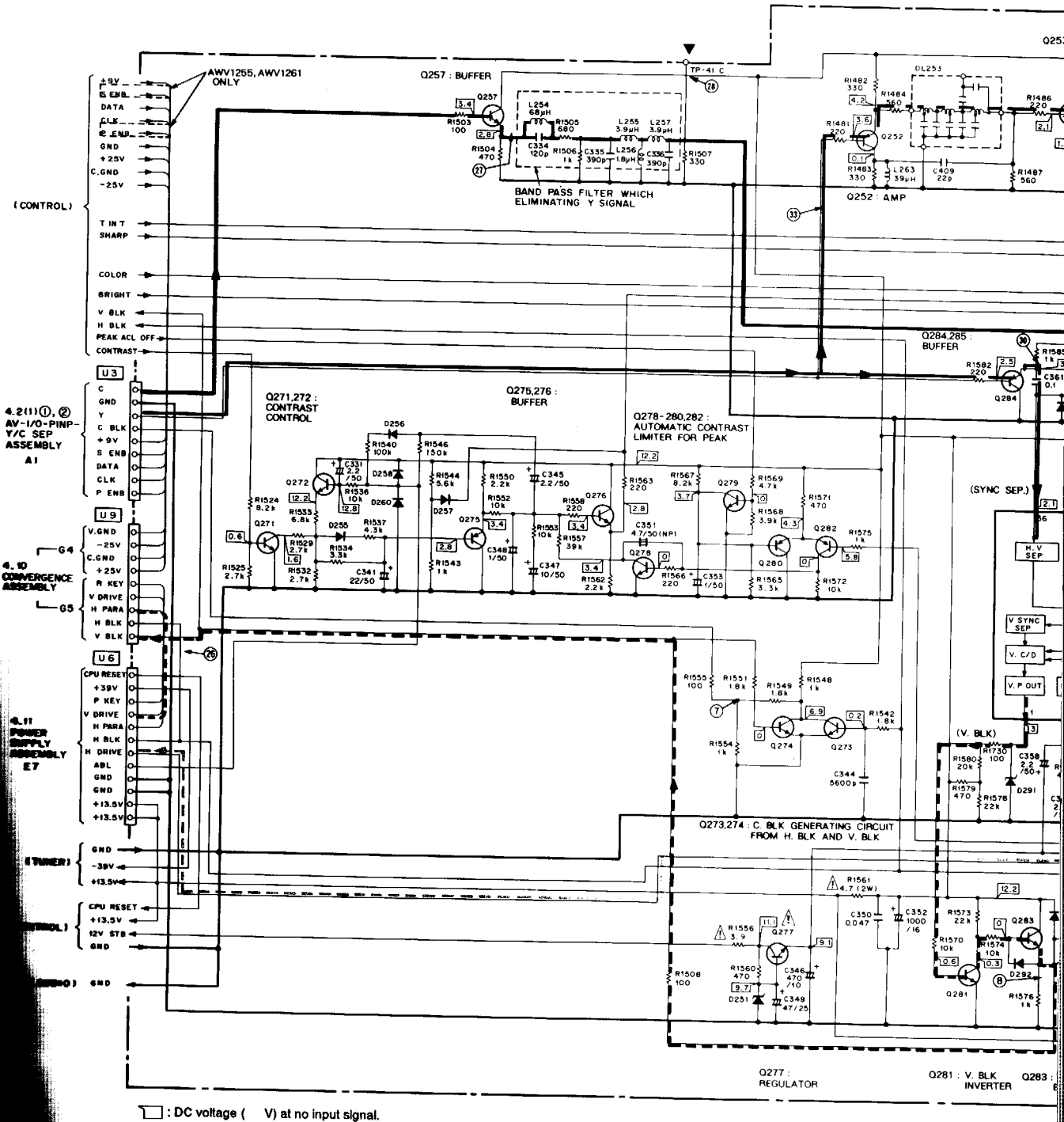
(CONTROL)

Note: Abbreviation listed indicate circuit connections.

TUNER	: 4.4 (1)	TUNER-VIDEO ASSEMBLY(1/4)
AUDIO	: 4.4 (2) ①	TUNER-VIDEO ASSEMBLY(2/4)
CONTROL	: 4.4 (4) ①	TUNER-VIDEO ASSEMBLY(4/4)



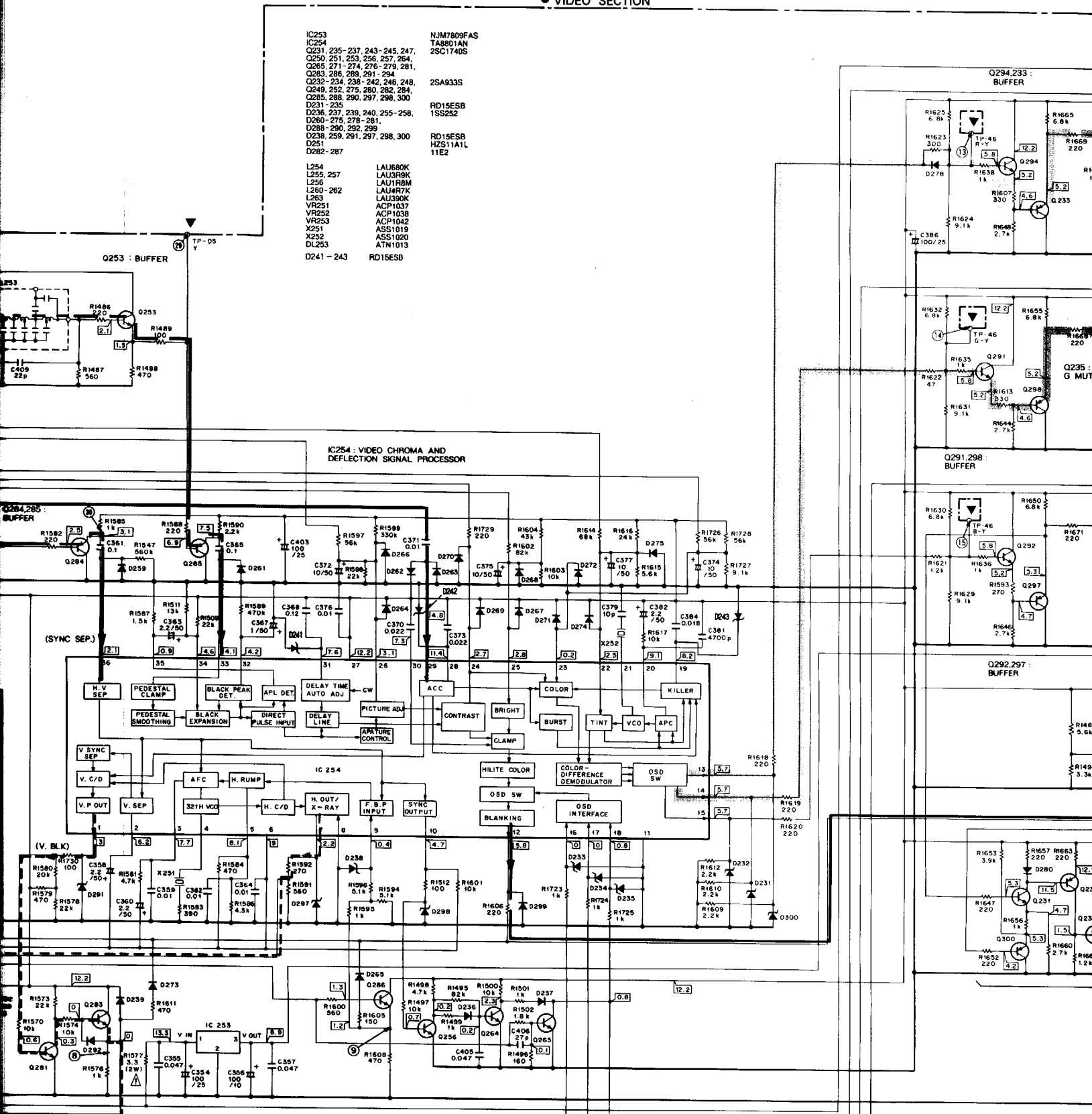
② TUNER-VIDEO ASSEMBLY (AWV1255, AWV1261 and AWV1265)



TUNER-VIDEO ASSEMBLY (3/4) (AWV1255), (AWV1261), (AWV1265)

● VIDEO SECTION

- | | |
|--------------------------------|------------|
| IC253 | NJM7809FAS |
| IC254 | TA8801AN |
| Q231, 235-237, 243-245, 247, | 2SC1740S |
| Q250, 251, 253, 256, 257, 264, | |
| Q265, 271-274, 276-278, 281, | |
| Q283, 286, 288, 291-294, | 2SA933S |
| Q232-234, 238-242, 246, 248, | |
| Q249, 252, 275, 280, 282, 284, | |
| Q285, 289, 290, 297, 298, 300 | |
| D231-235 | RD15ESB |
| D236, 237, 239, 240, 255-258, | 1SS252 |
| D260-275, 278-281, | |
| D288-290, 292, 299 | |
| D238, 259, 291, 297, 298, 300 | RD15ESB |
| D251 | HZS11A1L |
| D262-287 | 11E2 |
| L254 | LAU680K |
| L255, 257 | LAU3R9K |
| L256 | LAU1R8M |
| L260-262 | LAU4R7K |
| L263 | LAU390K |
| VR251 | ACP1037 |
| VR252 | ACP1038 |
| VR253 | ACP1042 |
| X251 | ASS1019 |
| X252 | ASS1020 |
| DL253 | ATN1013 |
| D241-243 | RD15ESB |



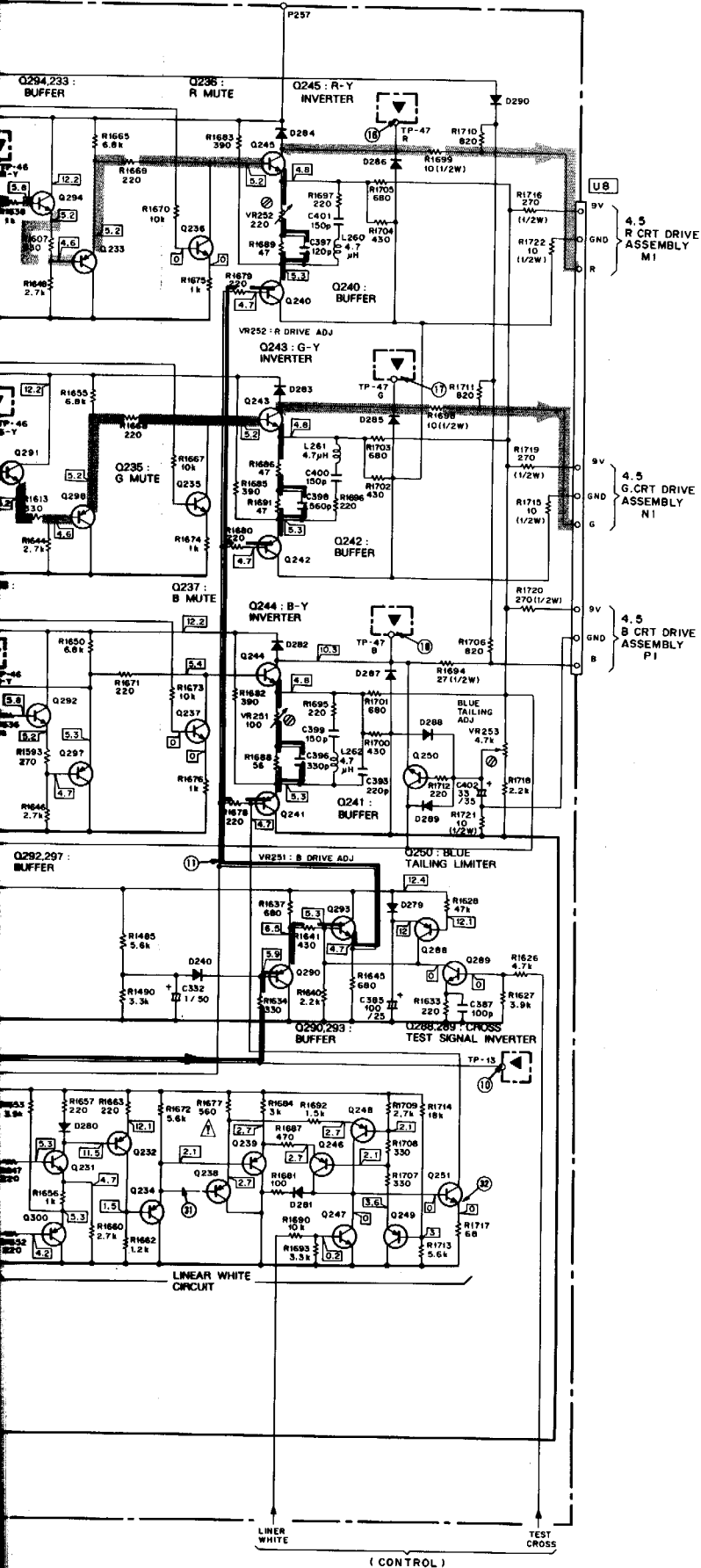
Q281 : V. BLK INVERTER Q283 : V. BLK BUFFER IC253 : REGULATOR Q286 : BUFFER Q256,264,265 : MUTE FOR NO SIGNAL

OSD RED OSD GREEN OSD BLUE
(CONTROL)

R-OFF G-OFF B-OFF
(CONTROL)

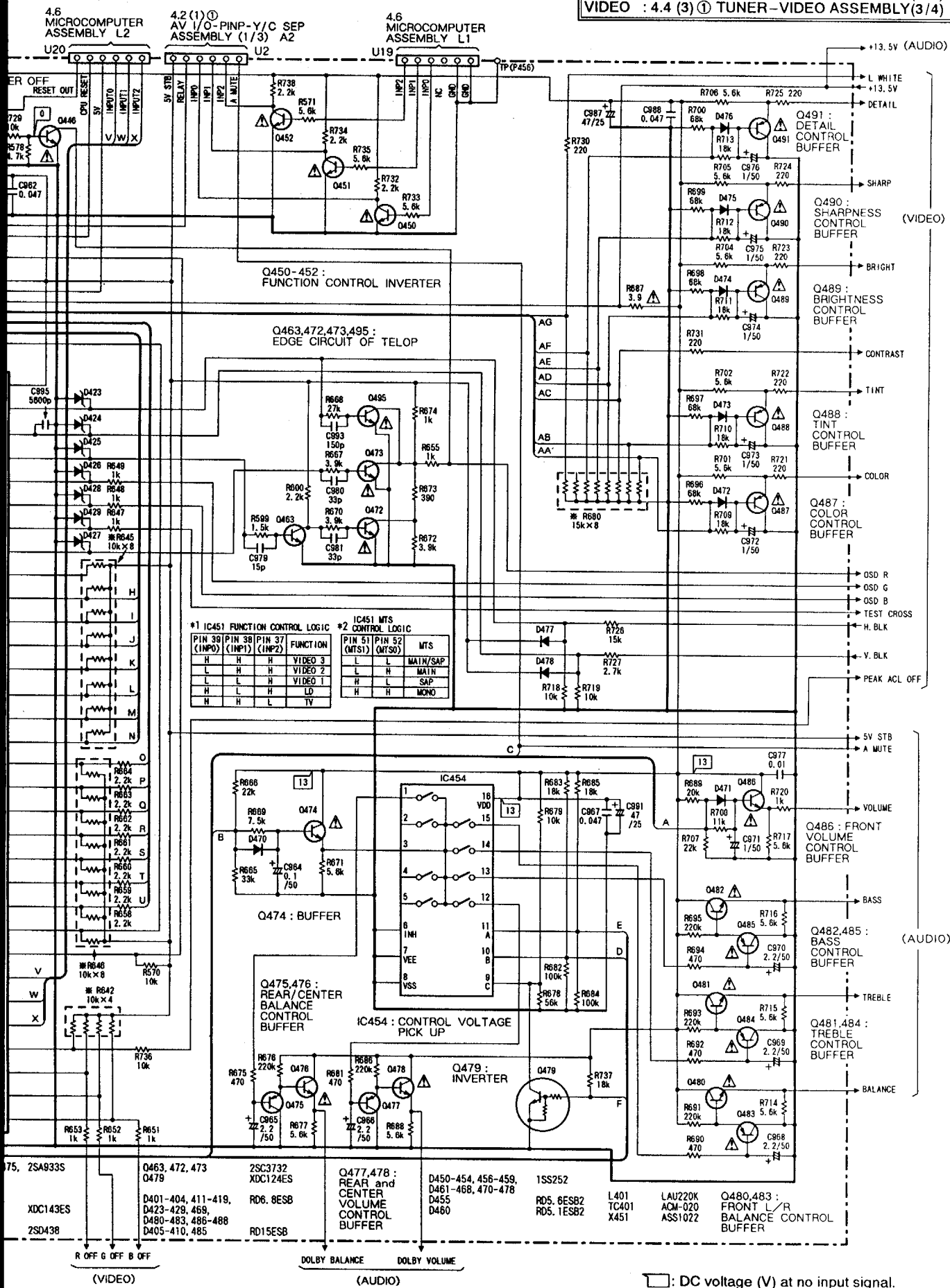
Note: Abbreviation listed indicate circuit connections.

TUNER	: 4.4 (1)	TUNER-VIDEO ASSEMBLY(1/4)
AUDIO	: 4.4 (2), (3)	TUNER-VIDEO ASSEMBLY(2/4)
CONTROL	: 4.4 (4), (2), (3)	TUNER-VIDEO ASSEMBLY(4/4)



Note: Abbreviation listed indicate circuit connections.

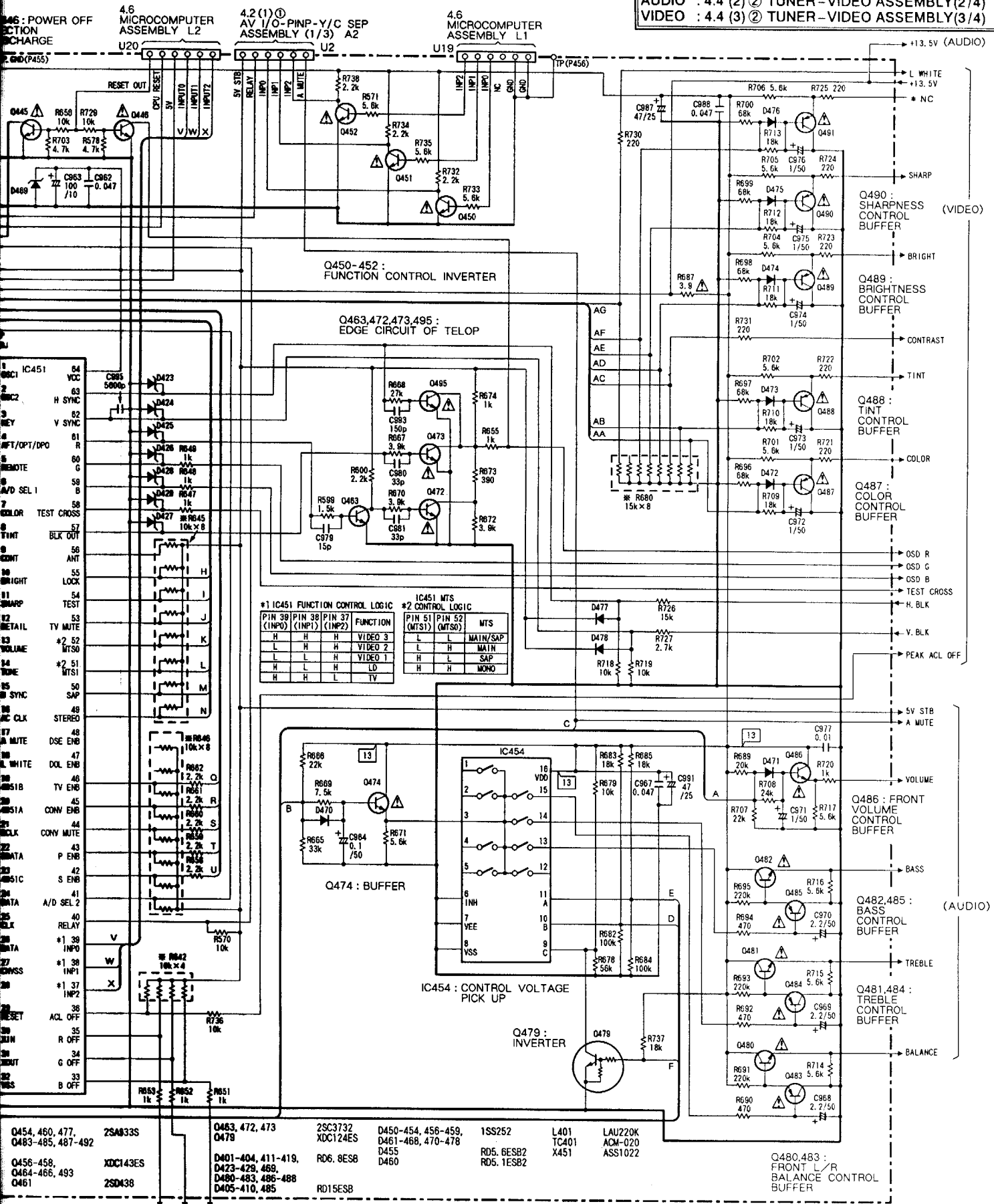
TUNER : 4.4 (1) TUNER-VIDEO ASSEMBLY(1/4)
 AUDIO : 4.4 (2) ① TUNER-VIDEO ASSEMBLY(2/4)
 VIDEO : 4.4 (3) ① TUNER-VIDEO ASSEMBLY(3/4)



□ : DC voltage (V) at no input signal.

Note: Abbreviation listed indicate circuit connections.

TUNER : 4.4 (1) TUNER-VIDEO ASSEMBLY(1/4)
 AUDIO : 4.4 (2) ② TUNER-VIDEO ASSEMBLY(2/4)
 VIDEO : 4.4 (3) ② TUNER-VIDEO ASSEMBLY(3/4)



#1 IC451 FUNCTION CONTROL LOGIC

PIN 38 (INP0)	PIN 38 (INP1)	PIN 37 (INP2)	FUNCTION
H	H	H	VIDEO 3
L	H	H	VIDEO 2
L	L	H	VIDEO 1
H	L	H	LD
H	H	L	TV

#2 IC451 MTS CONTROL LOGIC

PIN 51 (MTS1)	PIN 52 (MTS0)	MTS
L	L	MAIN/SAP
L	H	MAIN
H	L	SAP
H	H	MONO

- Q454, 460, 477, 483-485, 487-492: 2SA833S
- Q456-458, Q464-466, 493, Q461: XDC143ES
- Q463, 472, 473, Q479: 2SC3732, XDC124ES
- D401-404, 411-419, D423-429, 469, D480-483, 486-488, D405-410, 485: RD6. 8ES8, RD15ES8
- D450-454, 456-459, D461-468, 470-478, D455, D460: RD5. 6ESB2, RD5. 1ESB2
- 1SS252, L401, LAU220K: 1SS252, TC401, X451, ACM-020, ASS1022
- Q480, 483: FRONT L/R BALANCE CONTROL BUFFER

R OFF G OFF B OFF
 (VIDEO)

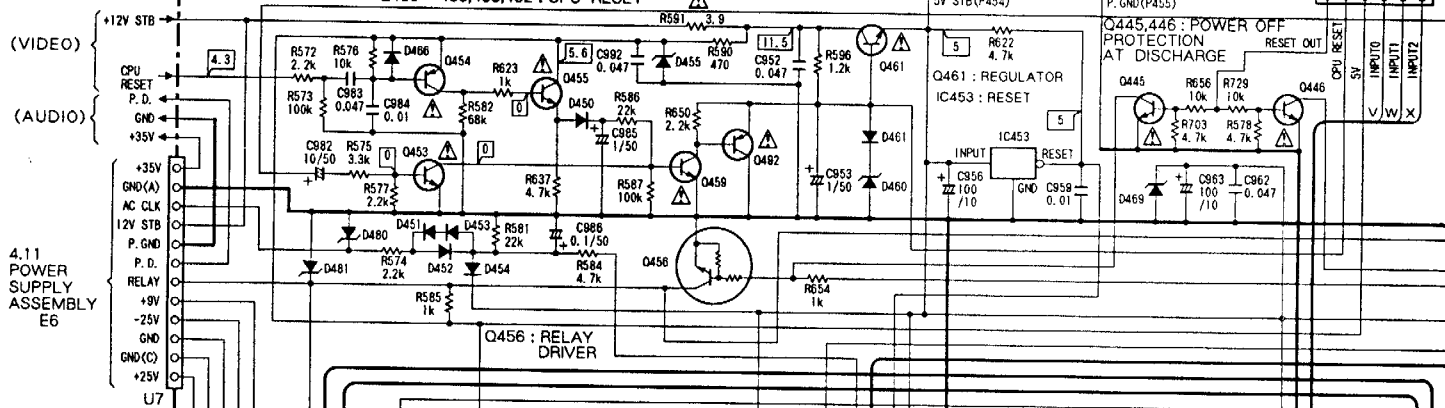
□ DC voltage (V) at no input signal.

* NC : Non connection

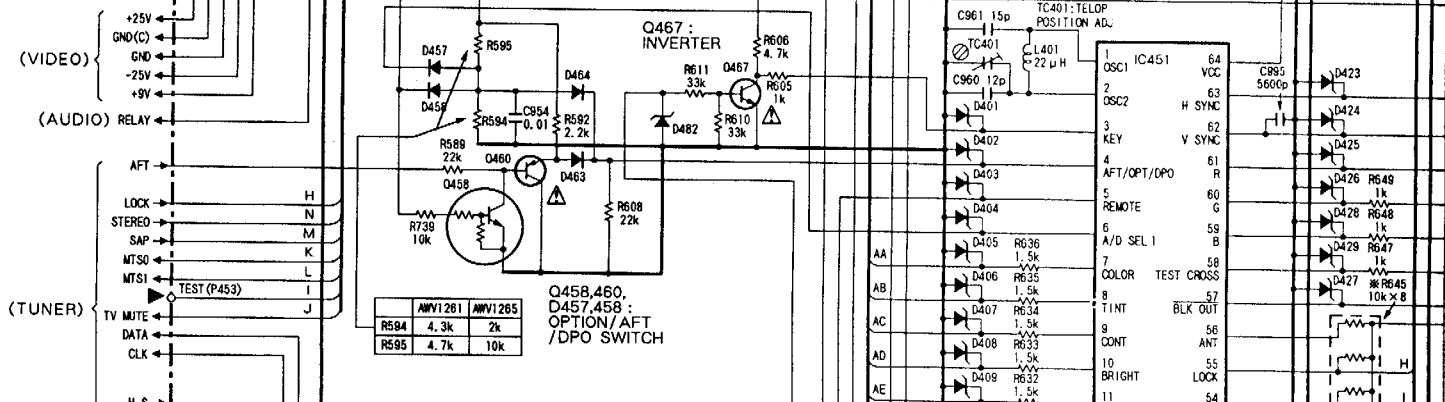
TUNER-VIDEO ASSEMBLY (4/4) (AWV1261),(AWV1265)
● CONTROL SECTION

4.6 MICROCOMPUTER ASSEMBLY L2

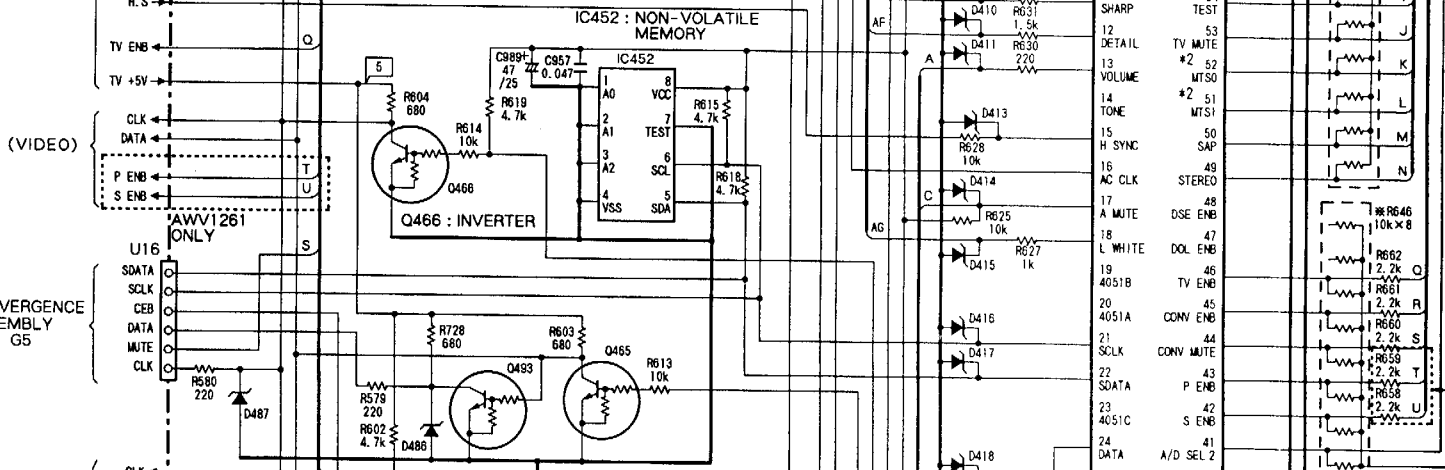
A



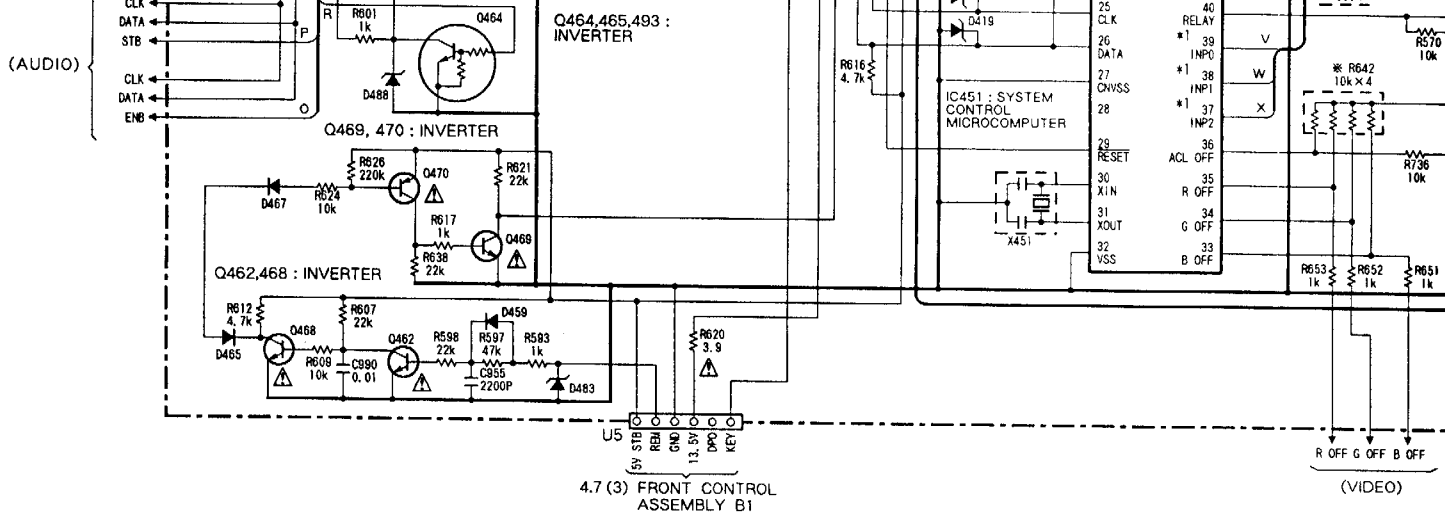
B



C

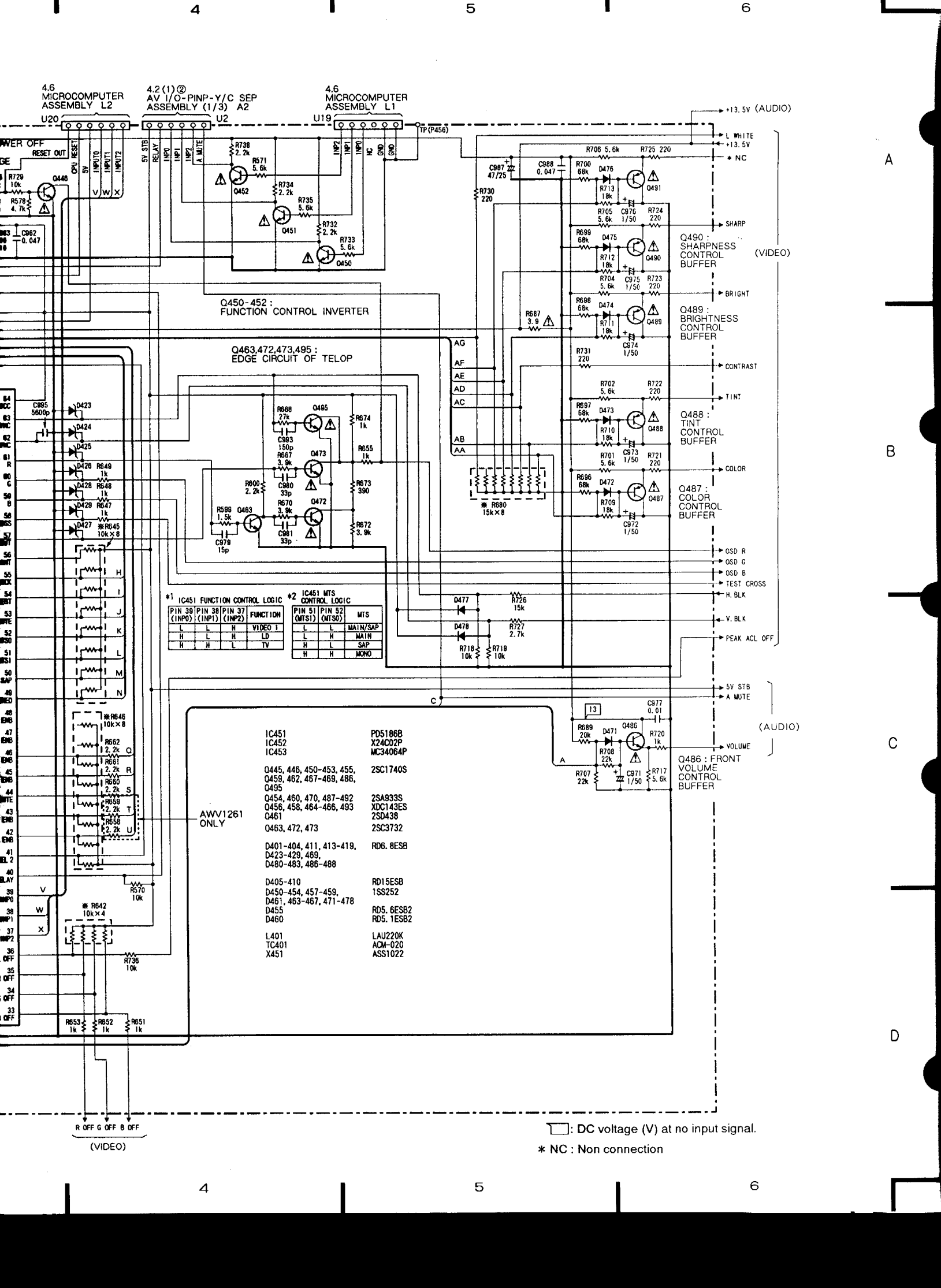


D



4.7 (3) FRONT CONTROL ASSEMBLY B1

(VIDEO)



4.6 MICROCOMPUTER ASSEMBLY L2
 4.2(1) AV I/O-PINP-Y/C SEP ASSEMBLY (1/3) A2
 4.6 MICROCOMPUTER ASSEMBLY L1

Q450-452 : FUNCTION CONTROL INVERTER

Q463,472,473,495 : EDGE CIRCUIT OF TELOP

#1 IC451 FUNCTION CONTROL LOGIC

PIN 39 (INP0)	PIN 38 (INP1)	PIN 37 (INP2)	FUNCTION
L	L	H	VIDEO 1
H	L	H	LD
H	H	L	TV

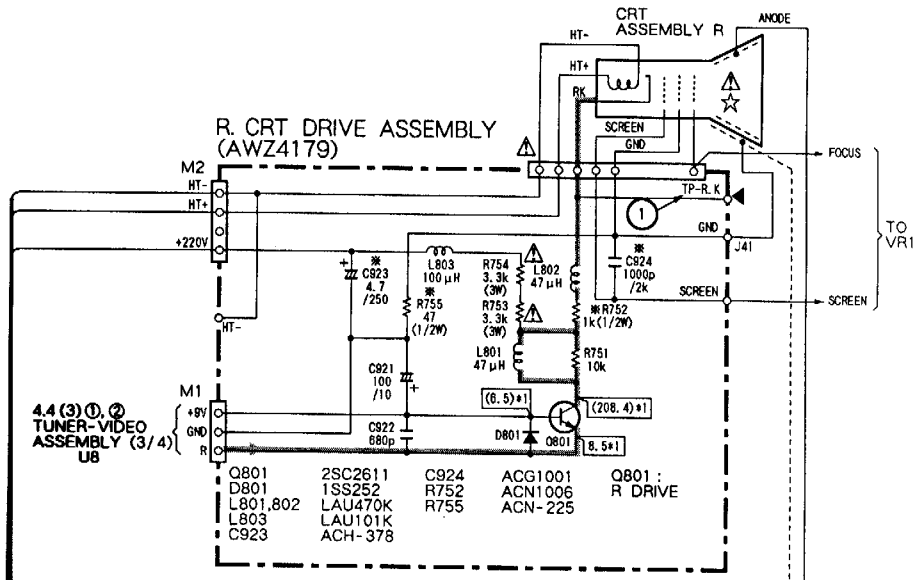
#2 IC451 MTS CONTROL LOGIC

PIN 51 (MIS1)	PIN 52 (MIS0)	MTS
L	L	MAIN/SAP
L	H	MAIN
H	L	SAP
H	H	MONO

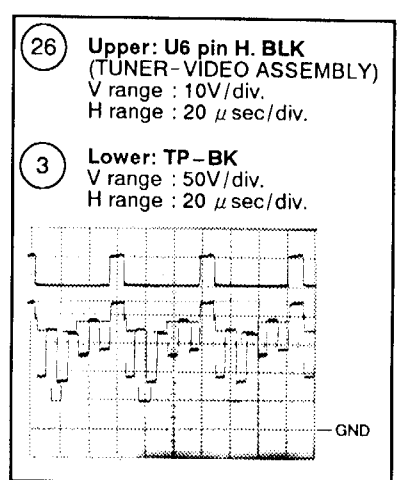
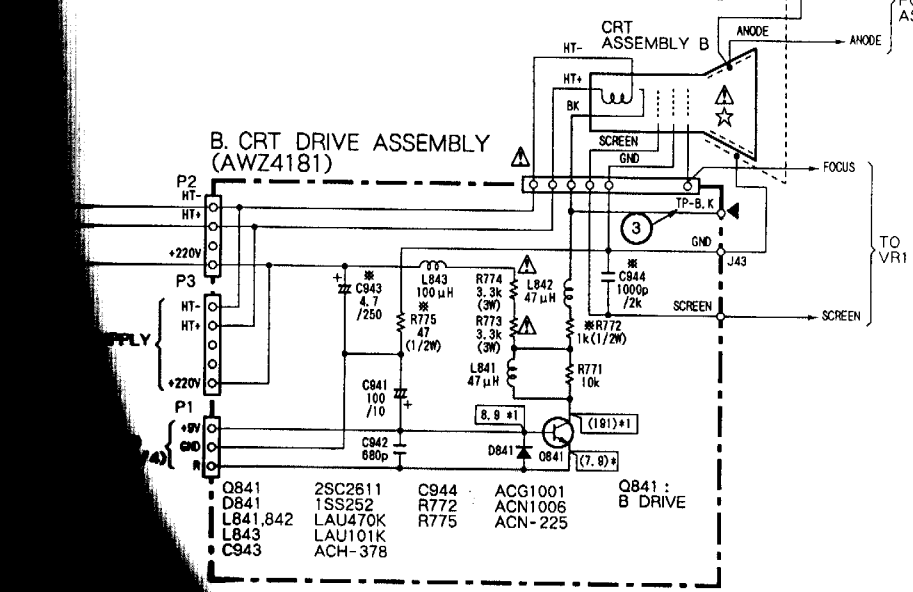
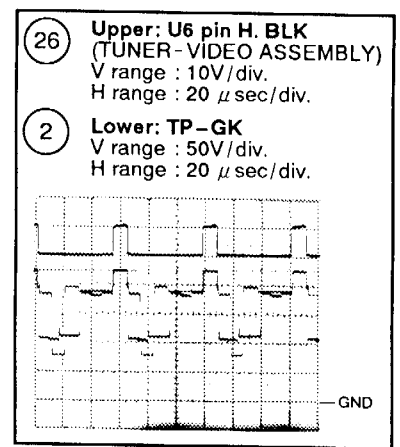
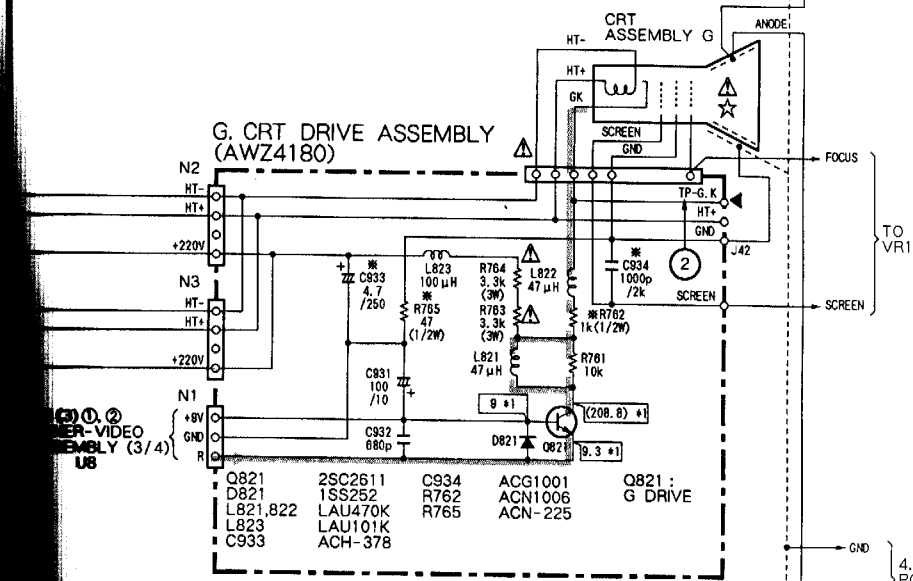
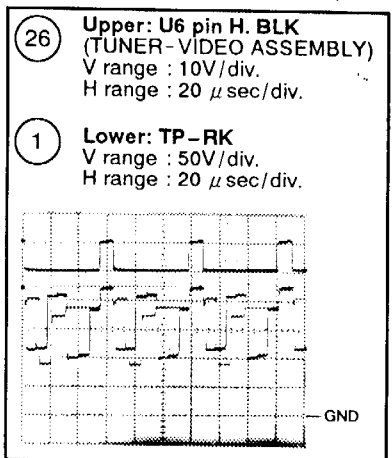
- AWV1261 ONLY
- IC451 PD5186B
 - IC452 X24C02P
 - IC453 MC34064P
 - Q445, 446, 450-453, 455, 459, 462, 467-469, 486, 495 2SC1740S
 - Q454, 460, 470, 487-492 2SA933S
 - Q456, 458, 464-466, 493 2SD438
 - Q461 2SC3732
 - Q463, 472, 473 2SC3732
 - D401-404, 411, 413-419, D423-429, 469, D480-483, 486-488 RD6.8ESB
 - D405-410 RD15ESB
 - D450-454, 457-459, D461, 463-467, 471-478 1SS252
 - D455 RD5.6ESB2
 - D460 RD5.1ESB2
 - L401 LAU220K
 - TC401 ACM-020
 - X451 ASS1022

R OFF G OFF B OFF (VIDEO)
 □ : DC voltage (V) at no input signal.
 * NC : Non connection

NOTE : For the part number of the CRT assembly R, G and B, refer to the section 8.2.

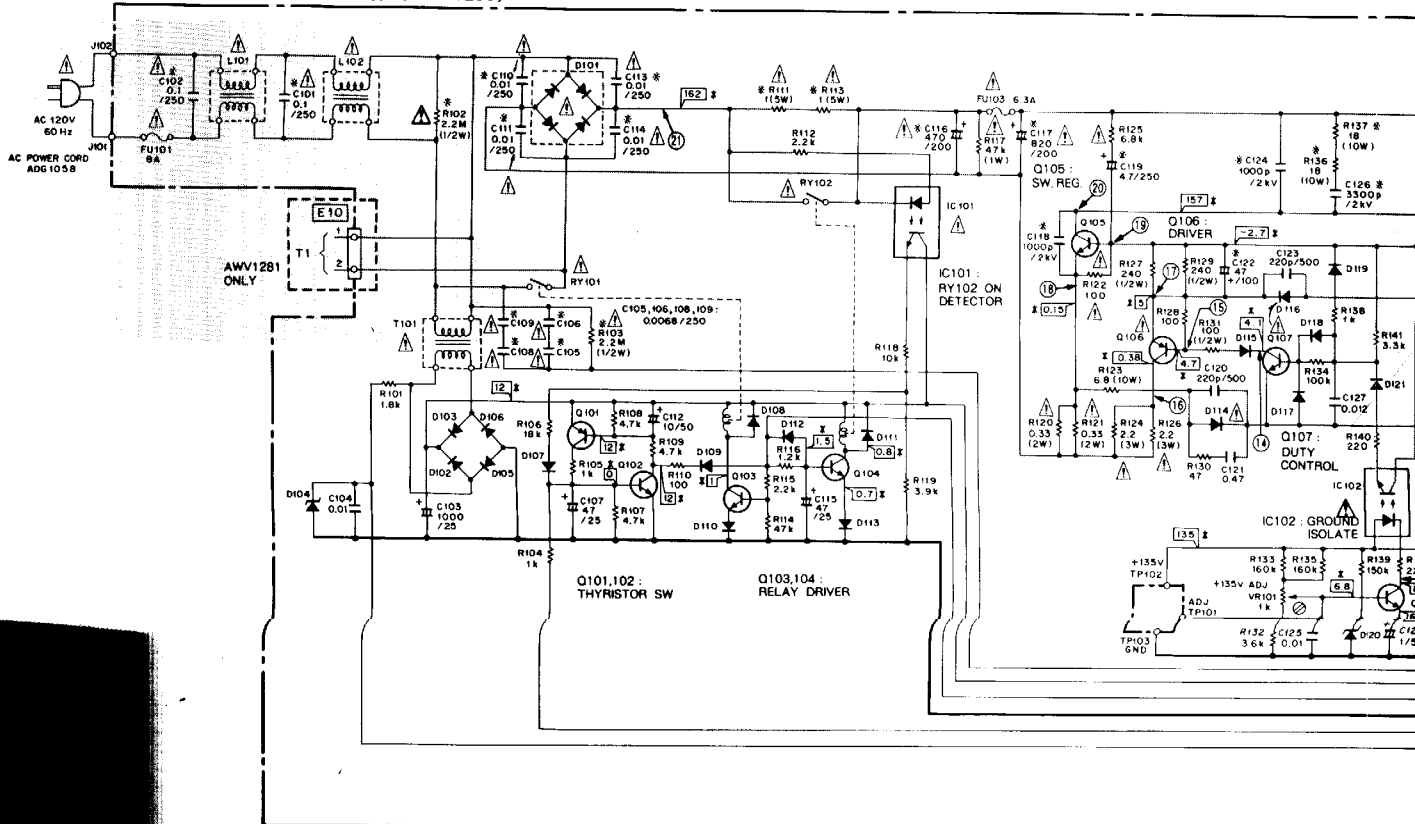


- Waveforms
- Input signal : Color bar
- Picture quality : standard
- Range : DC range (without notice)



measured with the digital voltmeter at no AC mode.

☆ POWER SUPPLY ASSEMBLY
(AWV1281), (AWV1289), (AWV1290)

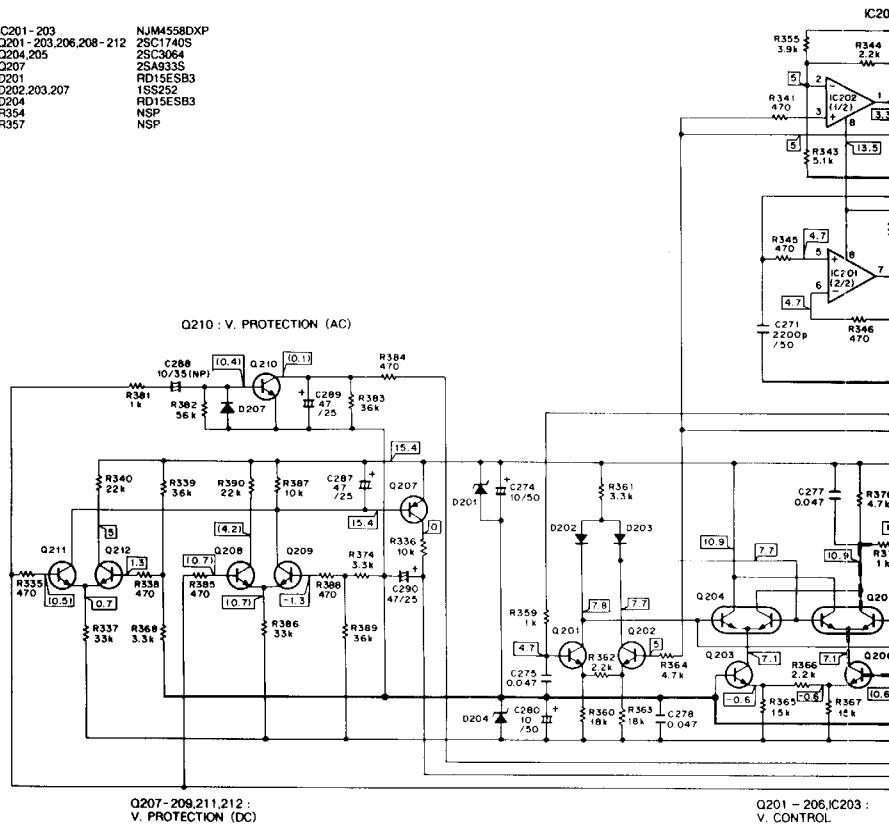


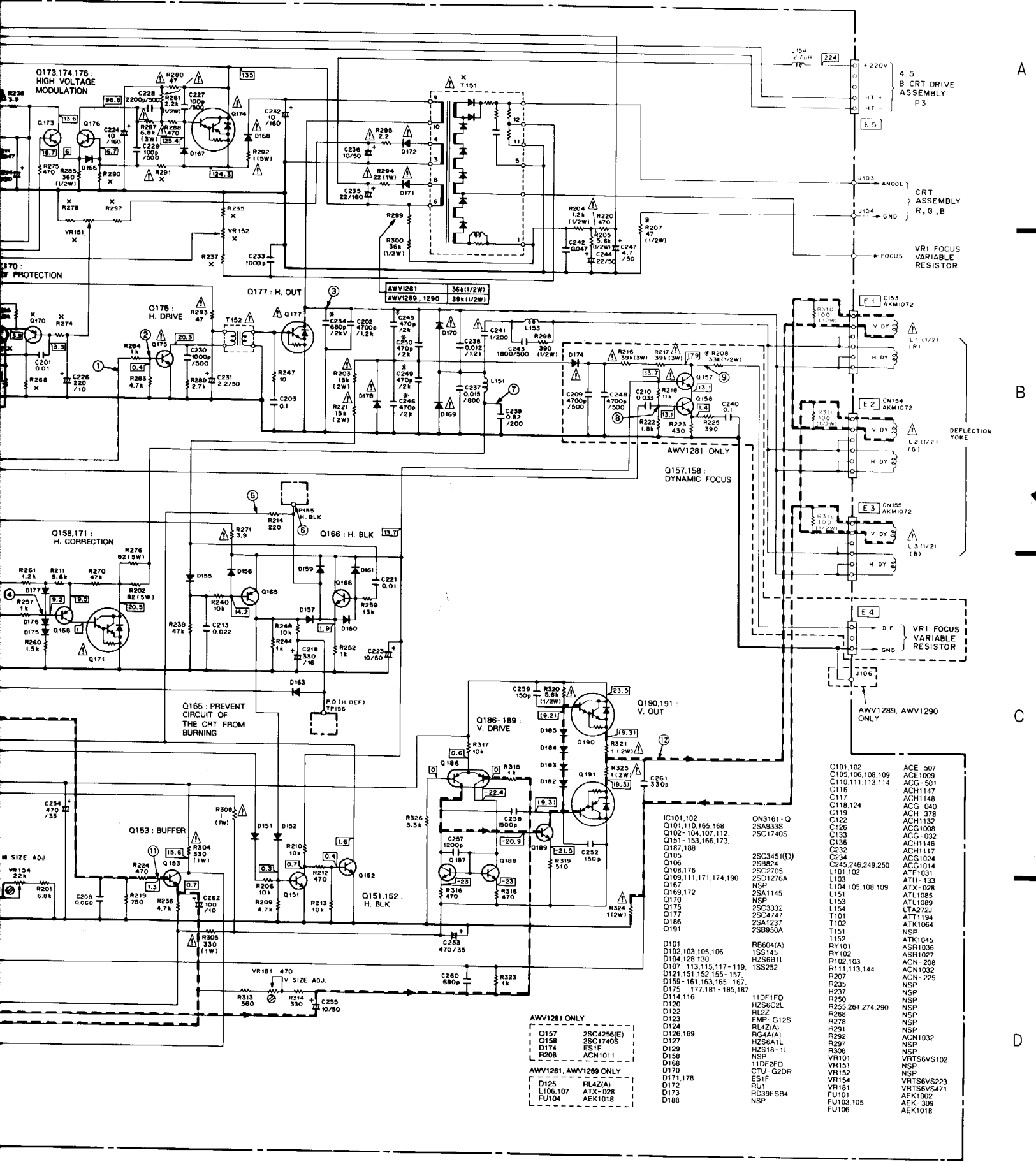
□ : DC voltage (V) is measured with digital voltmeter at no load.
Value in () is DC + AC mode.

□* : DC voltage (V) at 50% white signal input state.

☆ V - AMP ASSEMBLY (AWZ4191)

- IC201-203 NJM4558DXP
- Q201-203,206,208-212 2SC1740S
- Q204,205 2SC3064
- Q207 2SA933S
- D201 RD15ESB3
- D202,203,207 1SS252
- D204 RD15ESB3
- R354 NSP
- R357 NSP





- C101,102 ACE 507
- C105,106,108,109 ACE1009
- C110,111,113,114 ACC-501
- C116 ACH1147
- C117 ACH1148
- C118,124 ACH-040
- C119 ACH-378
- C122 ACH1132
- C126 ACC-008
- C133 ACC-032
- C136 ACH1146
- C232 ACH1117
- C234 ACC1024
- C245,246,249,250 ACC1014
- L101,102 ATF1031
- L103 ATH-133
- L104,105,108,109 ATX-028
- L151 ATL1085
- L153 ATL1089
- LT272J AT1194
- L154 AT1194
- T101 ATK1064
- T102 ATK1064
- T151 NSP
- T152 ATK1045
- RV101 ASR1036
- RV102 ASR1027
- R102,103 ACN-208
- R111,113,144 ACN1032
- R207 ACN-225
- R235 NSP
- R237 NSP
- R250 NSP
- R253,264,274,290 NSP
- R268 NSP
- R278 NSP
- R291 NSP
- R292 ACN1032
- R297 NSP
- R306 NSP
- VR101 VRTS6VS102
- VR151 NSP
- VR152 VRTS6VS223
- VR181 VRTS6VS471
- FU101 AEK1002
- FU103,105 AEK-309
- FU106 AEK1018

- AWV1281 ONLY**
- Q157 2SC4256(E)
 - Q158 2SC1740S
 - D174 ES1F
 - R208 ACN1011
- AWV1281, AWV1289 ONLY**
- D125 RL4Z(A)
 - L106,107 ATX-028
 - FU104 AEK1018

A
B
C
D