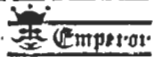
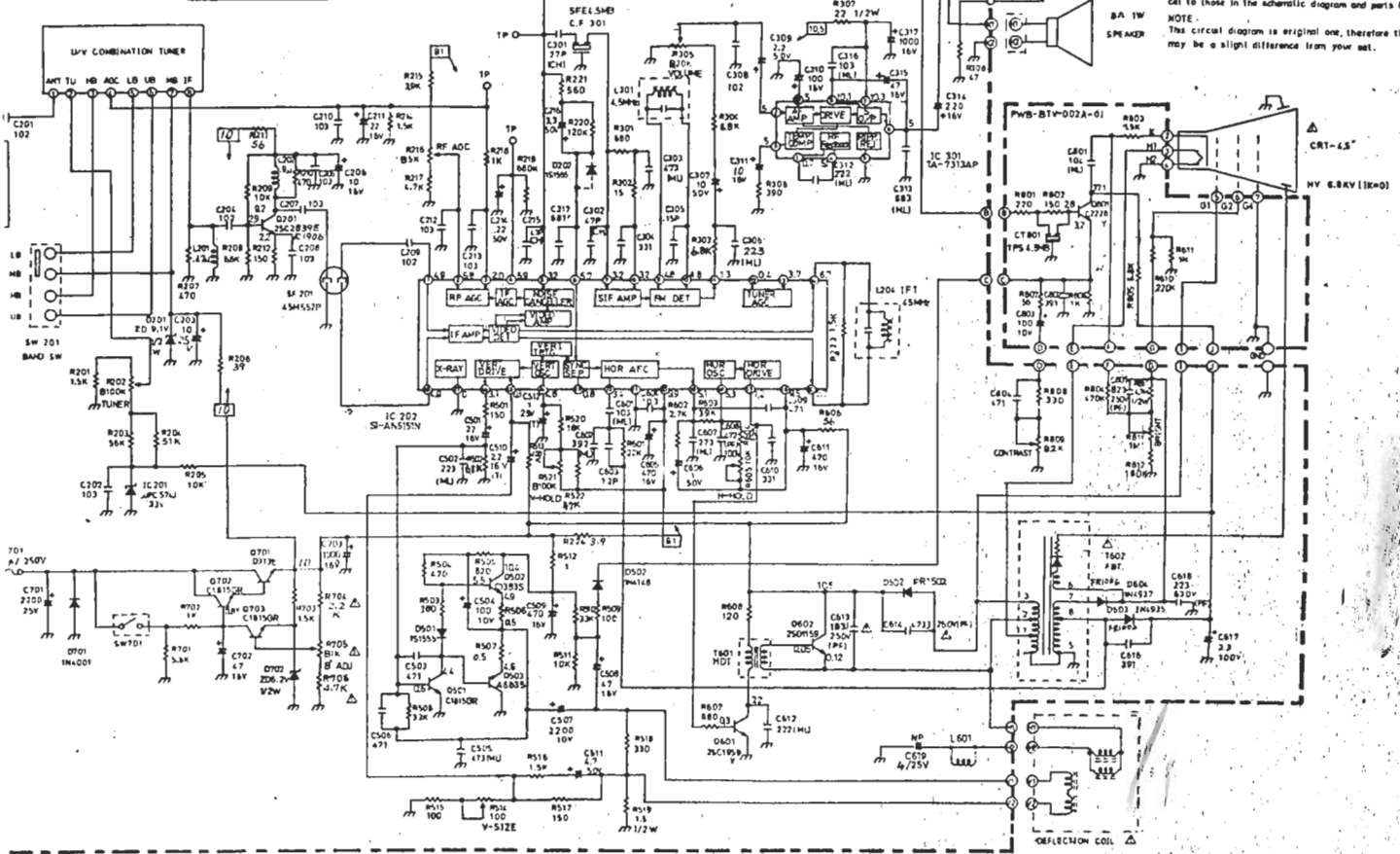


DEL: BTV-500A



PWB-BTV-002B



CRITICAL COMPONENT WARNING:
 These critical components that are marked with a Δ on the schematic diagram and the parts list are used to prevent shock, fire hazard and other active degradation. All these special components must be replaced only with the same type rated call to those in the schematic diagram and parts list.
NOTE:
 This circuit diagram is original one, therefore the may be a slight difference from your set.

BTV-500A

NO	DESCRIPTION	REV	APPROVAL BY	DATE	SCALE	NO	DESCRIPTION	REV	DATE	SCALE	NO	DESCRIPTION	REV	DATE	SCALE
1						1					1				

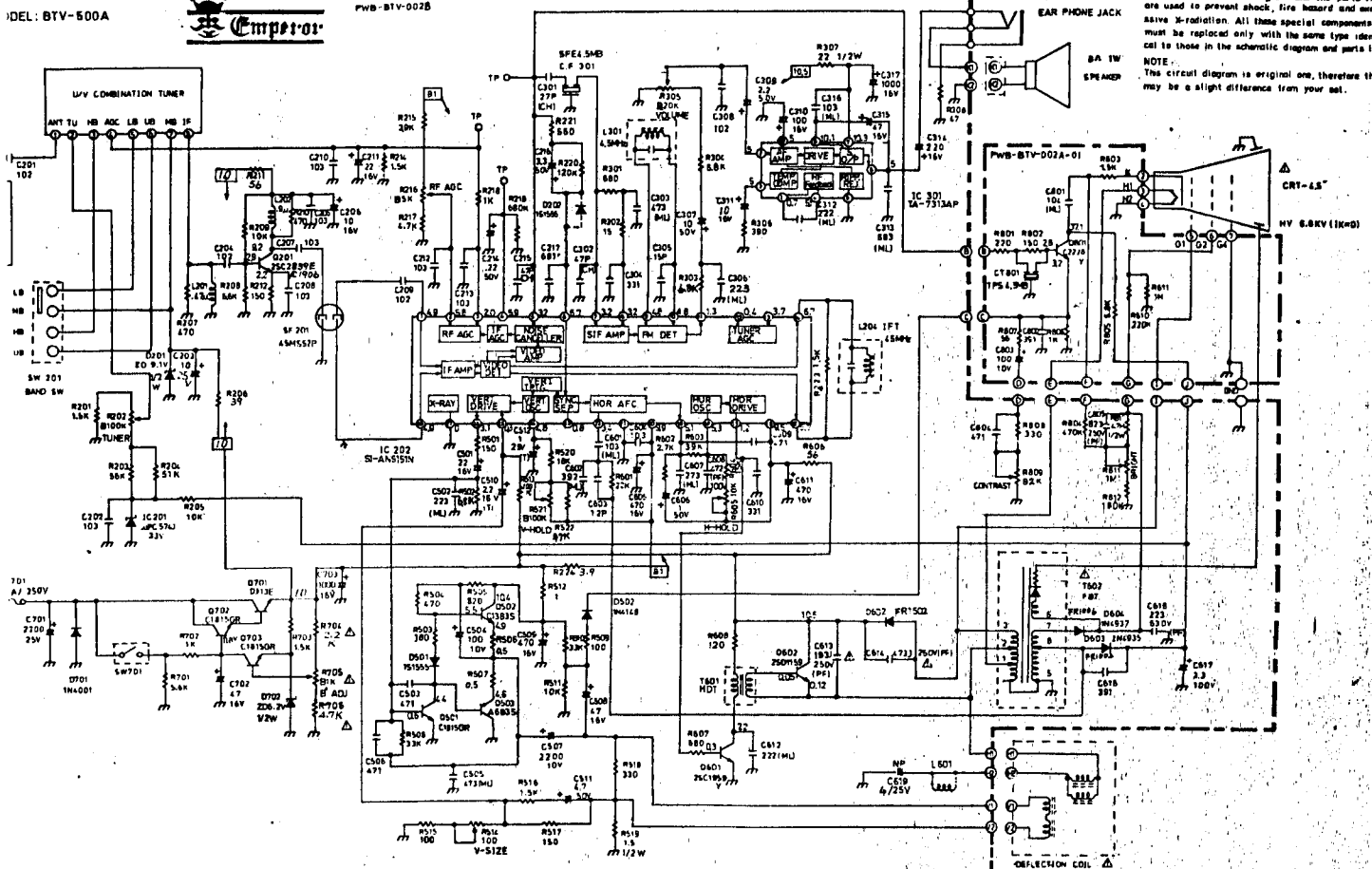
Almost same as in CRTS

MODEL: BTV-500A



PWB-BTV-002B

CRITICAL COMPONENT WARNINGS
 These critical components that are marked with a Δ on the schematic diagram and the parts list are used to prevent shock, fire hazard and noise as well as X-radiation. All these special components must be replaced only with the same type identical to those in the schematic diagram and parts list.
NOTE:
 The circuit diagram is original one, therefore there may be a slight difference from your unit.



NO.	DESCRIPTION	BY	APPROVAL BY	DATE	SCALE	DATE	NO.	NO.
1	BTV-500A							
2								
3								
4								
5								
6								
7								
8								
9								
10								
11								
12								
13								
14								
15								
16								
17								
18								
19								
20								
21								
22								
23								
24								
25								
26								
27								
28								
29								
30								
31								
32								
33								
34								
35								
36								
37								
38								
39								
40								
41								
42								
43								
44								
45								
46								
47								
48								
49								
50								
51								
52								
53								
54								
55								
56								
57								
58								
59								
60								
61								
62								
63								
64								
65								
66								
67								
68								
69								
70								
71								
72								
73								
74								
75								
76								
77								
78								
79								
80								
81								
82								
83								
84								
85								
86								
87								
88								
89								
90								
91								
92								
93								
94								
95								
96								
97								
98								
99								
100								

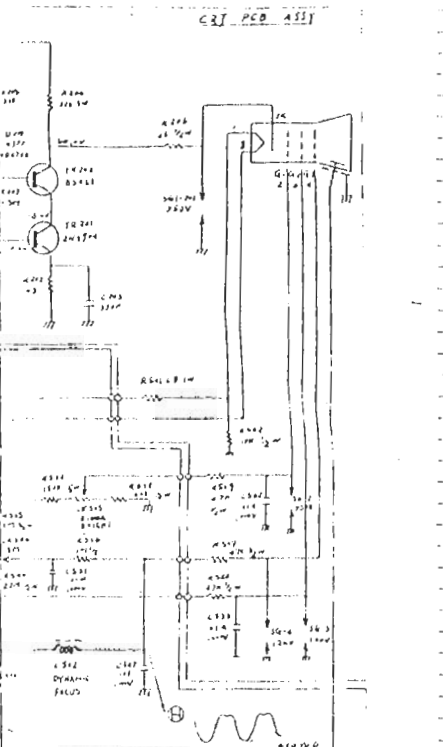
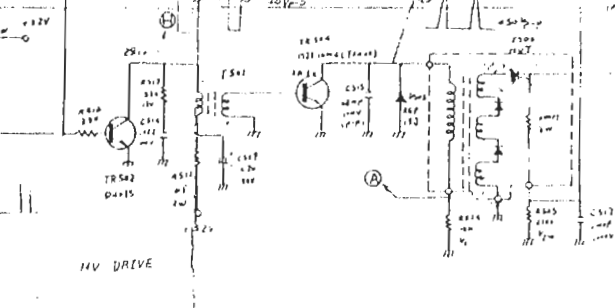
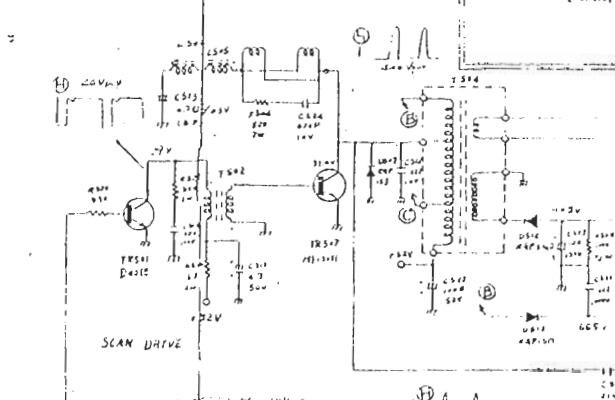
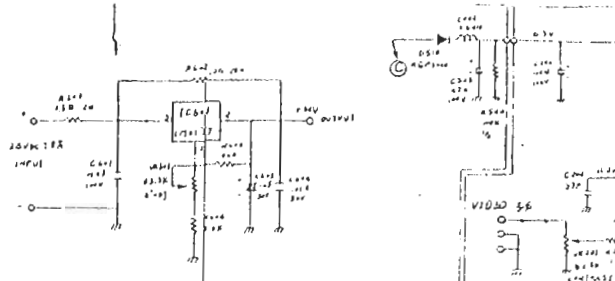
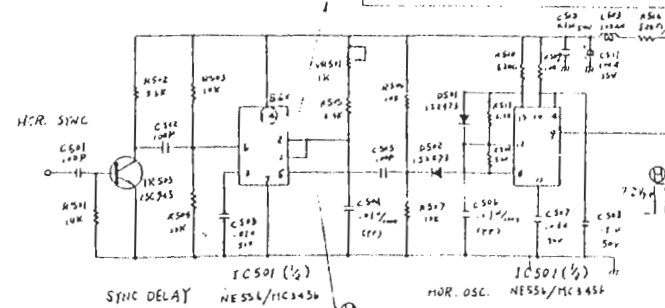
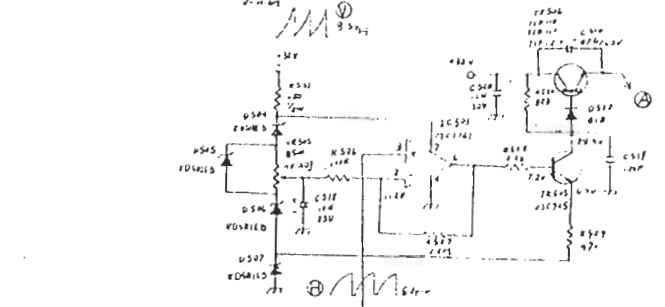
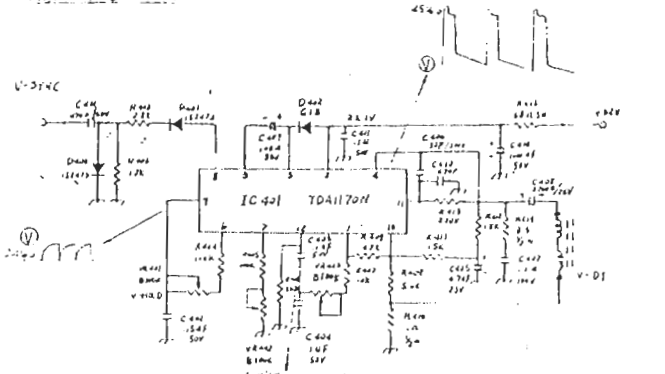
Alot, ...
 R.P. 0.5 T

- NOTES: 1. RESISTOR VALUES ARE IN(OHM)Ω, K=1000Ω, M=1000000Ω.
 2. ALL RESISTOR ARE 1/4W EXCEPT WHERE OTHER WISE INDICATED.
 3. ALL CAPACITORS ARE 50V EXCEPT WHERE OTHER WISE INDICATED.
 4. CAPACITOR VALUES ARE μF UNLESS OTHER WISE INDICATED μF=10⁻⁶F

NO.	REV.	DATE	BY	CHK.

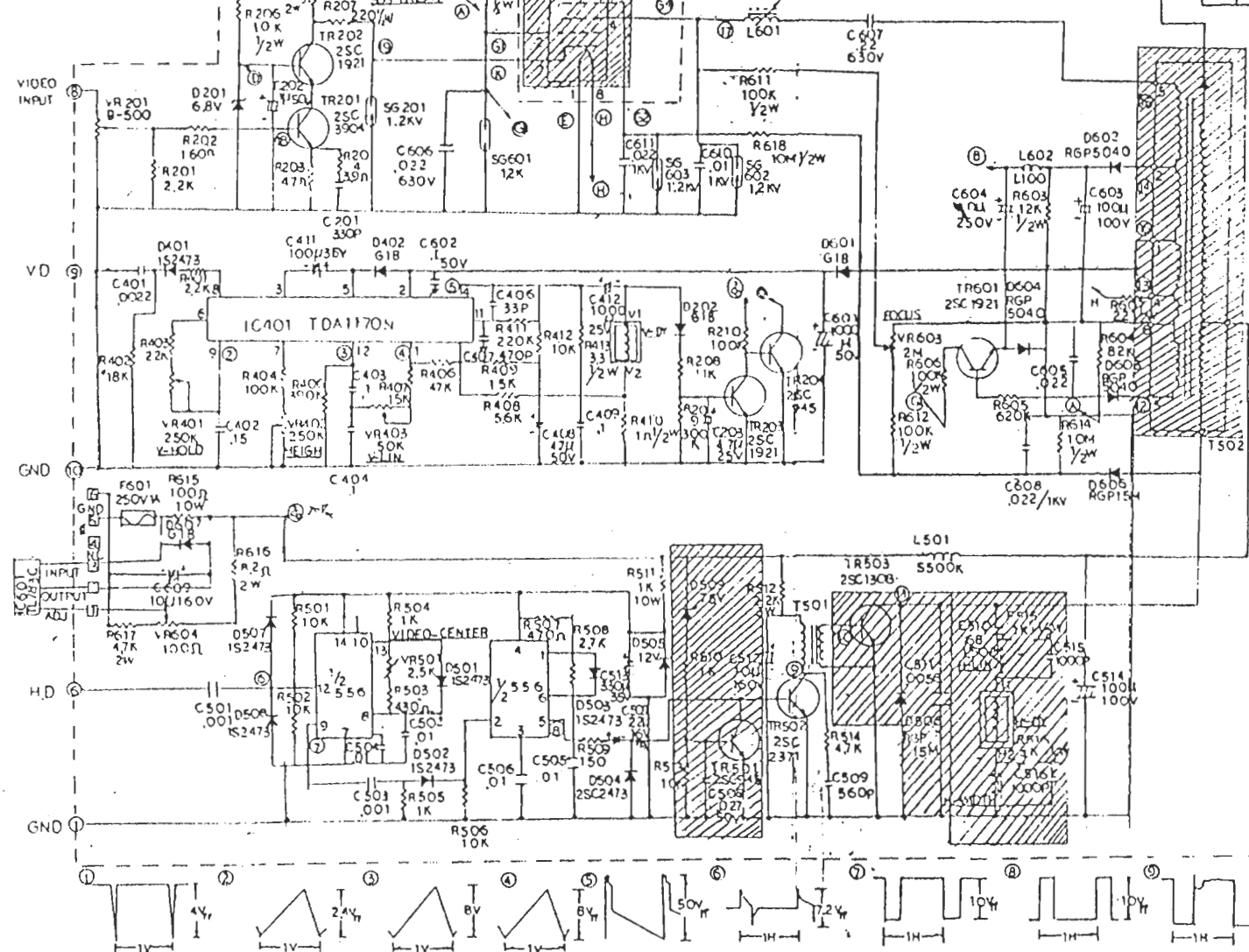
ISO-II

MAIN PCB ASSY



ILL 1
LR 48654-16

ISO-H

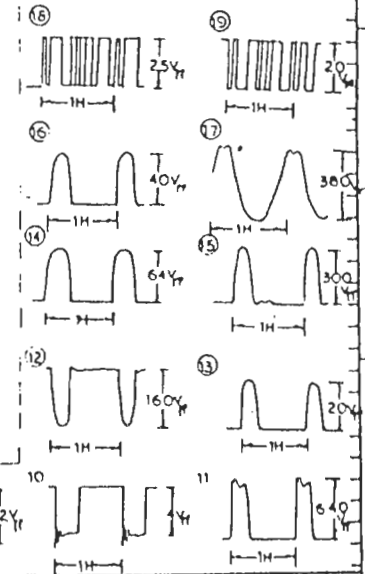


項目	名稱	規格	尺寸	備註

NOTE 1 RESISTOR VALUES ARE IN OHM/A
 2 ALL RESISTOR ARE 1/4W EXCEPT WHERE OTHERWISE INDICATED
 3 ALL CAPACITORS ARE 50V EXCEPT WHERE OTHERWISE INDICATED
 4 CAPACITORS ARE UF UNLESS OTHERWISE INDICATED, UF=10⁻⁶F
 5 VOLTAGES AND WAVE FORMS MEASURED UNDER 10FL MOSAK PATTERN

Ⓜ ----- HORIZONTAL RATE
 Ⓥ ----- VERTICAL RATE

WARNING: REPLACEMENT PARTS WHICH HAVE SPECIAL SAFETY CHARACTERISTICS ARE INDICATED BY [Hatched] SHADING PARTS ON THE SCHEMATICS. REPLACE THESE CRITICAL COMPONENTS WITH RECOMMENDED REPLACEMENT PARTS. DON'T DEGRADE THE SAFETY OF THE SET THROUGH IMPROPER SERVICING.



LR 48654-13 FIG. 3
 LR 57410-1

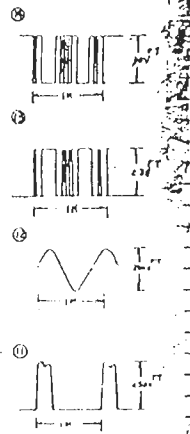
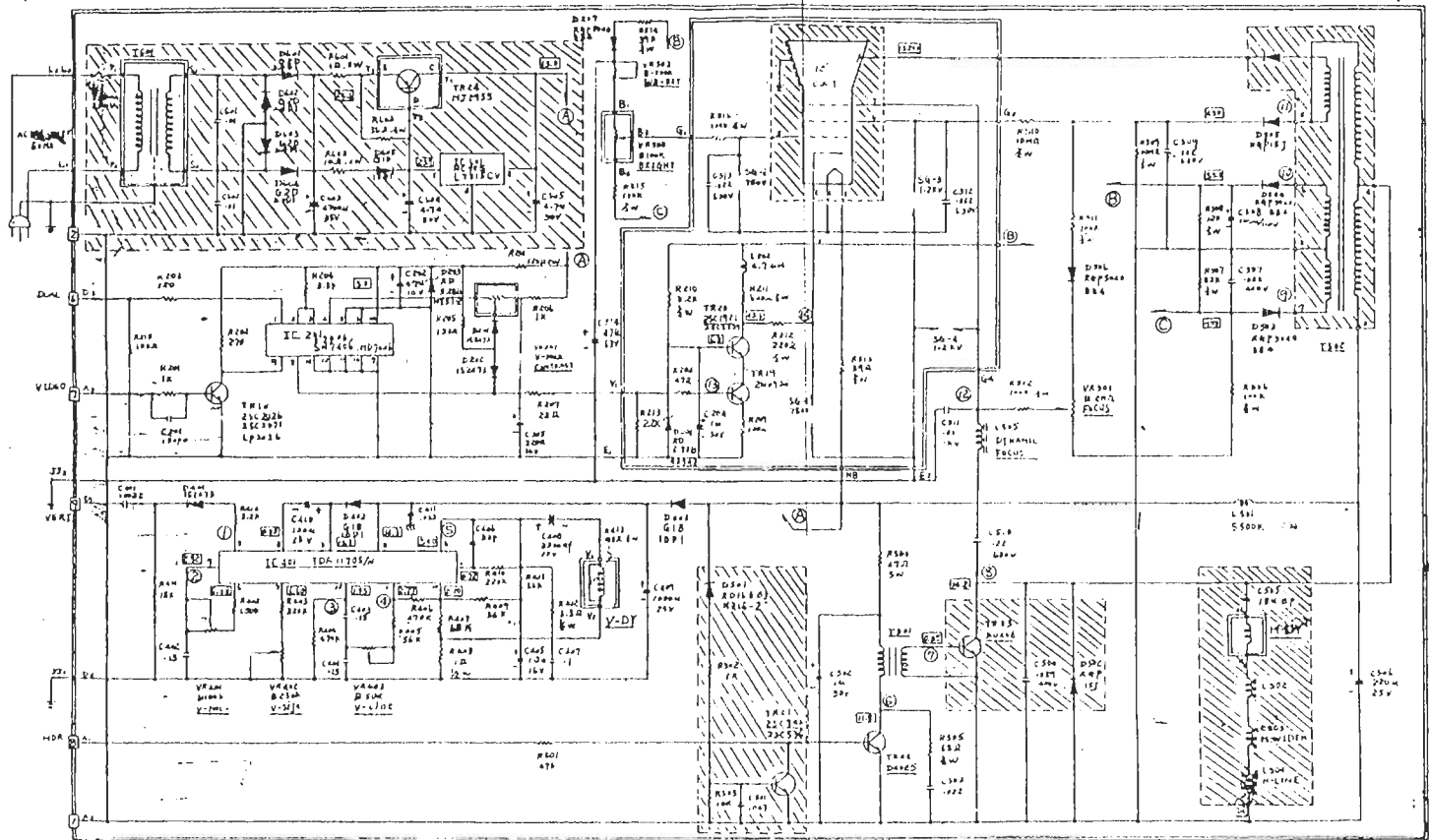
編定	仕様	73.1.10	比例	1/1	番	107413
番	1	22.2.7	名	英文	TM1S16	
設計	73.1.10		東元電機株式会社			
校訂	73.1.10					
印刷	73.1.10					
製版	73.1.10					

ISO-H

NOTES: 1. DIMENSIONS UNLESS OTHERWISE SPECIFIED ARE IN MILLIMETERS.
 2. ALL DIMENSIONS ARE AS SHOWN UNLESS OTHERWISE INDICATED.
 3. ALL DIMENSIONS ARE IN MILLIMETERS UNLESS OTHERWISE INDICATED.
 4. CAPACITANCE VALUES ARE IN MICROFARADS UNLESS OTHERWISE INDICATED.
 5. VOLTAGES AND WAVE FORMS MEASURED UNDER NO-LOAD CONDITION.
 6. (---) --- HORIZONTAL RATE. (---) --- VERTICAL RATE.

WARNING: REPLACEMENT PARTS WHICH HAVE SPECIAL SAFETY CHARACTERISTICS ARE IDENTIFIED BY IN THE SCHEMATIC. REPLACE THESE CRITICAL COMPONENTS WITH RECOMMENDED REPLACEMENT PARTS.
 DON'T DELIVER THE SAFETY OF THE SET THROUGH IMPROPER SERVICING.

項	件	名	件	數	材	質	尺	寸	重	量	註



IR 57410-1
 ALL 1
 LB4854-12

①	IC101	IC102
②	Q101	Q102
③	R101	R102
④	C101	C102
⑤	TR101	TR102
⑥	TR103	TR104
⑦	TR105	TR106
⑧	TR107	TR108
⑨	TR109	TR110
⑩	TR111	TR112

①	IC101	IC102
②	Q101	Q102
③	R101	R102
④	C101	C102
⑤	TR101	TR102
⑥	TR103	TR104
⑦	TR105	TR106
⑧	TR107	TR108
⑨	TR109	TR110
⑩	TR111	TR112

檢定	LM CHAM	CS101	404	比例	1/10
繪圖				校對	
設計				校對	
圖面				校對	

VER:VIN:1