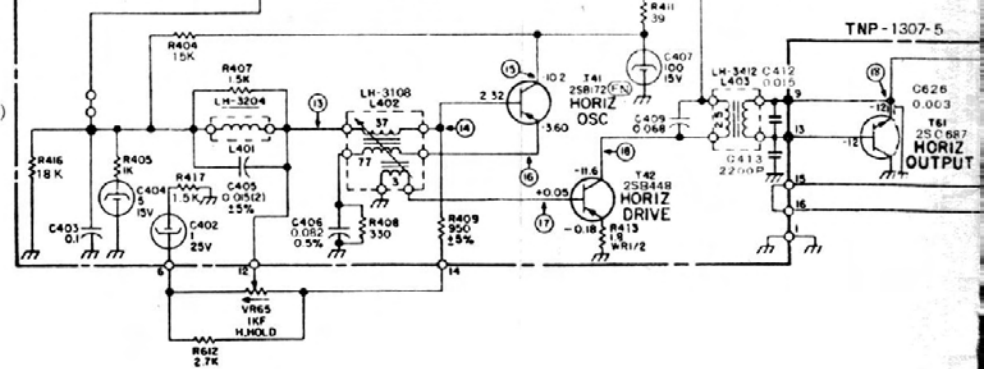
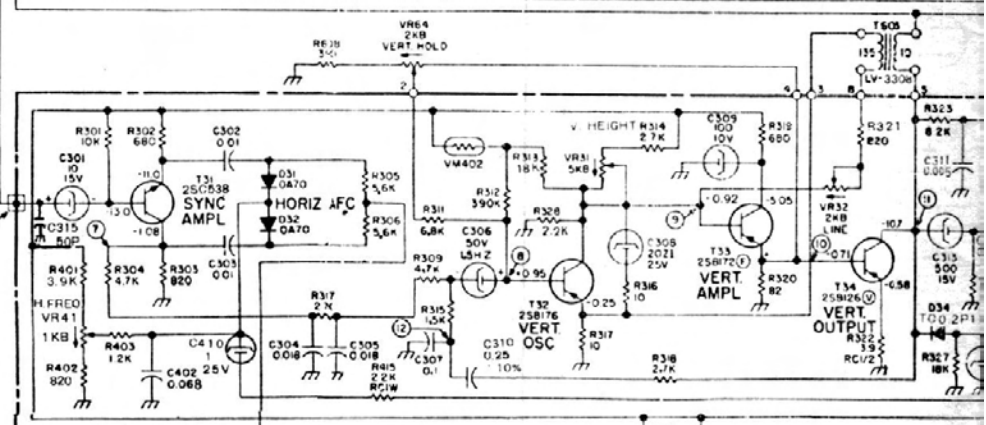
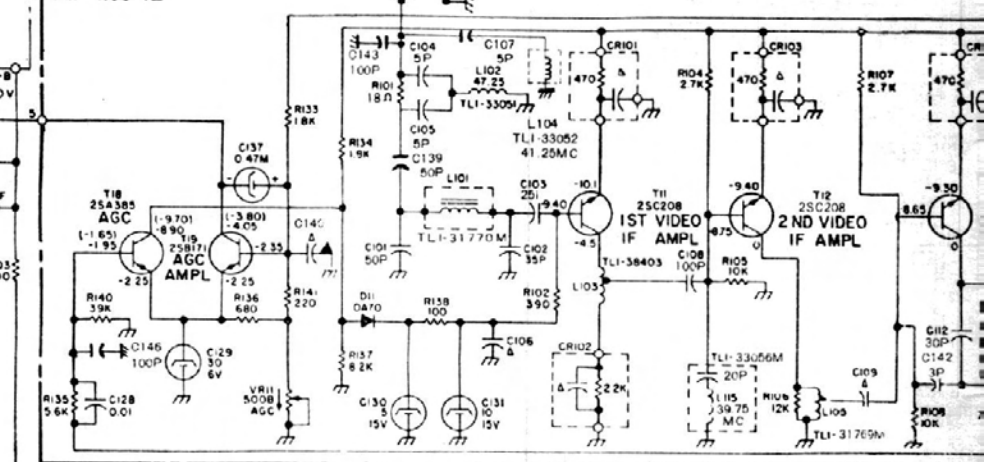
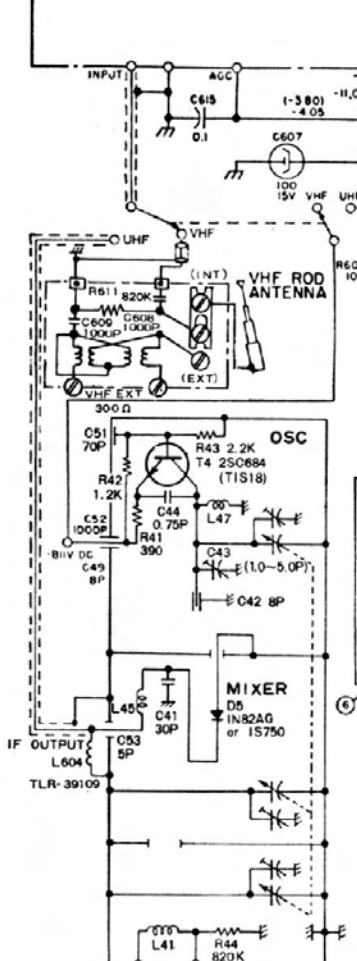
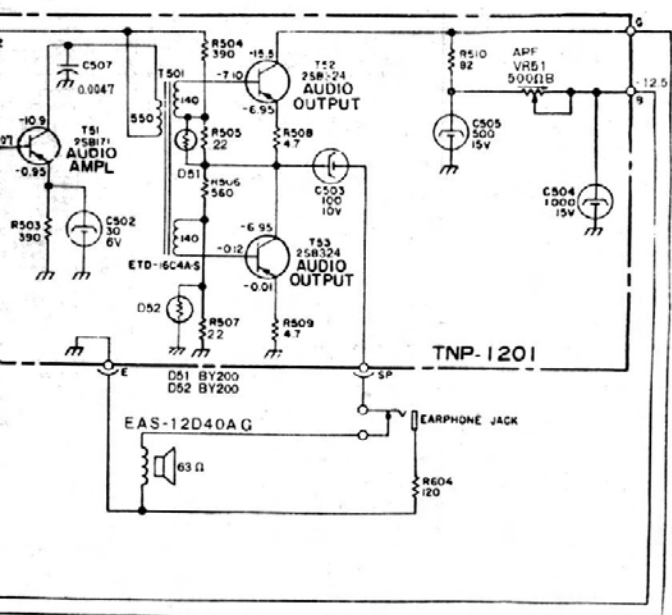
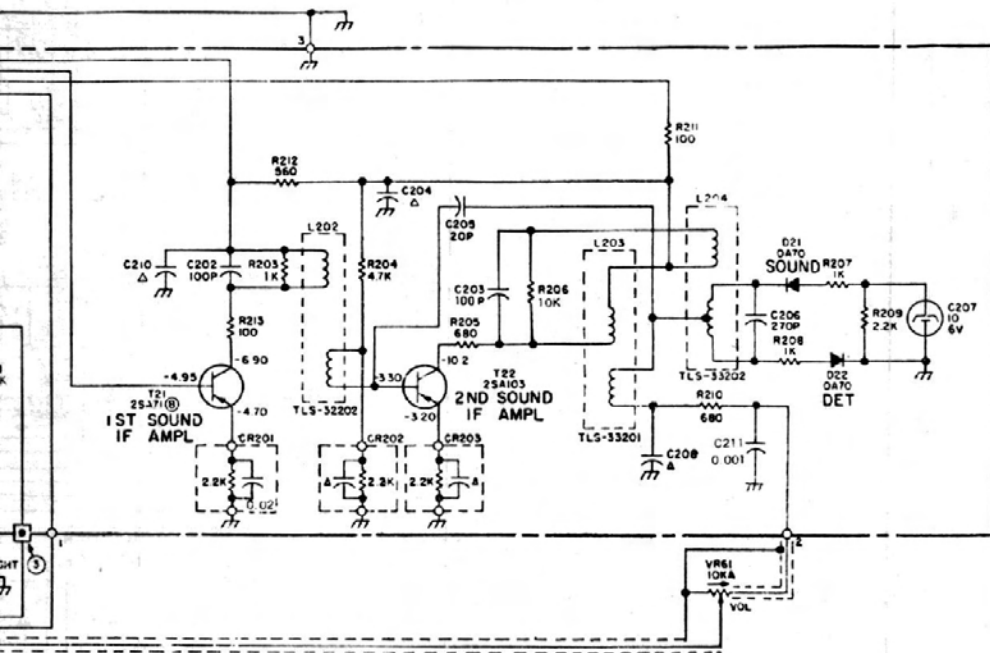


VHF TUNER TNT-4605

TNP-1109-12







1. Resistances are shown in ohms:  
k=1000, M=1,000,000.
2. Capacitances are shown in MFD  
otherwise noted: p=MMFD.
3. Capacitors marked "△" are 0.000  
MMFD.
4. Coil resistance values less than  
1 ohm are not shown.
5. D. C. voltages are read with  
vacuum tube meter and all con-  
trols set for normal picture.
6. D. C. voltages in ( ) are values  
for no signal input.
7. All waveforms are peak to peak  
voltages when video input ② is set  
to 0.8Vpp and contrast, brightness  
controls are set for maximum.
8. Marks "⊕" indicate junction  
point for terminal of the printed  
circuit boards.

Panel G. Penncrest Model 1318-48 portable TV (made by Matsushita Electric Corp. of America). (Courtesy J. C. Penney Co.)