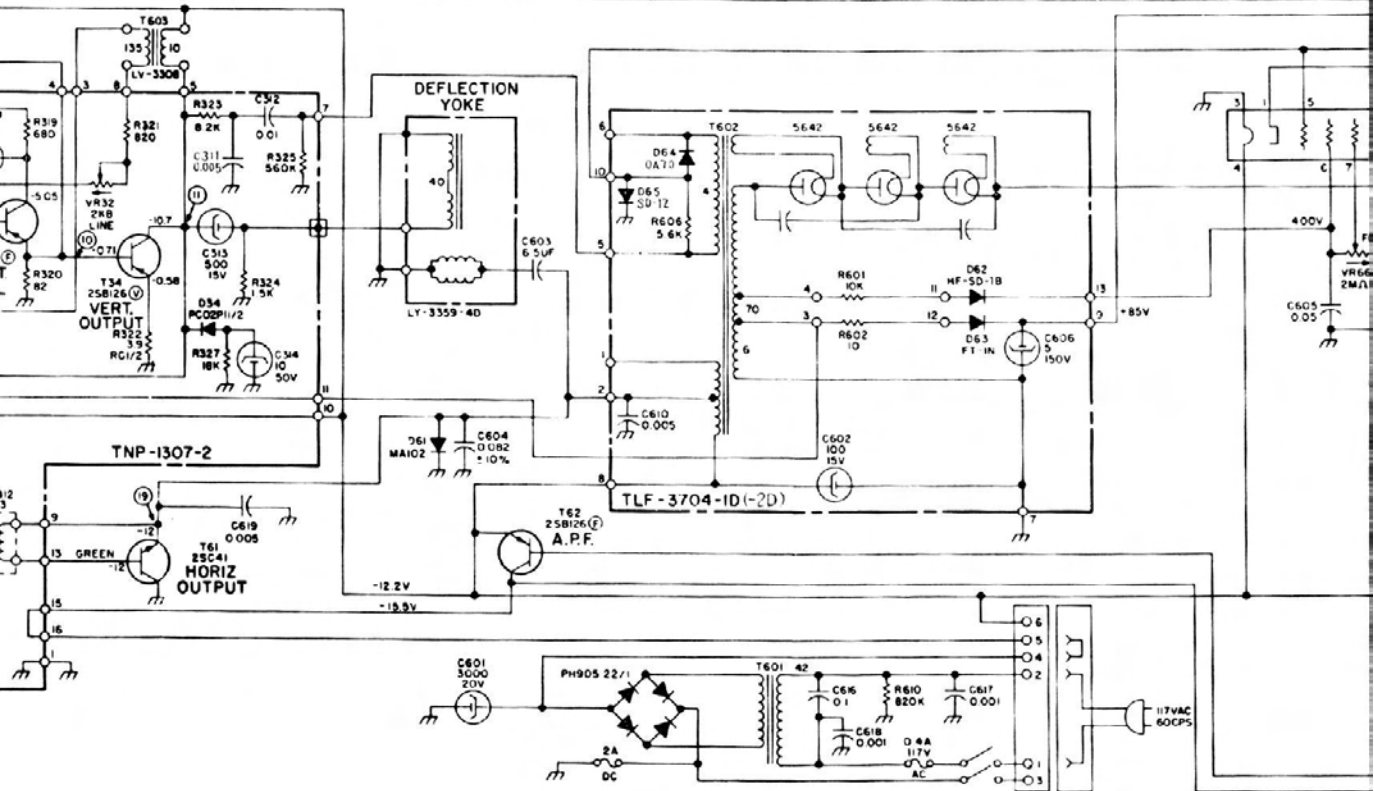
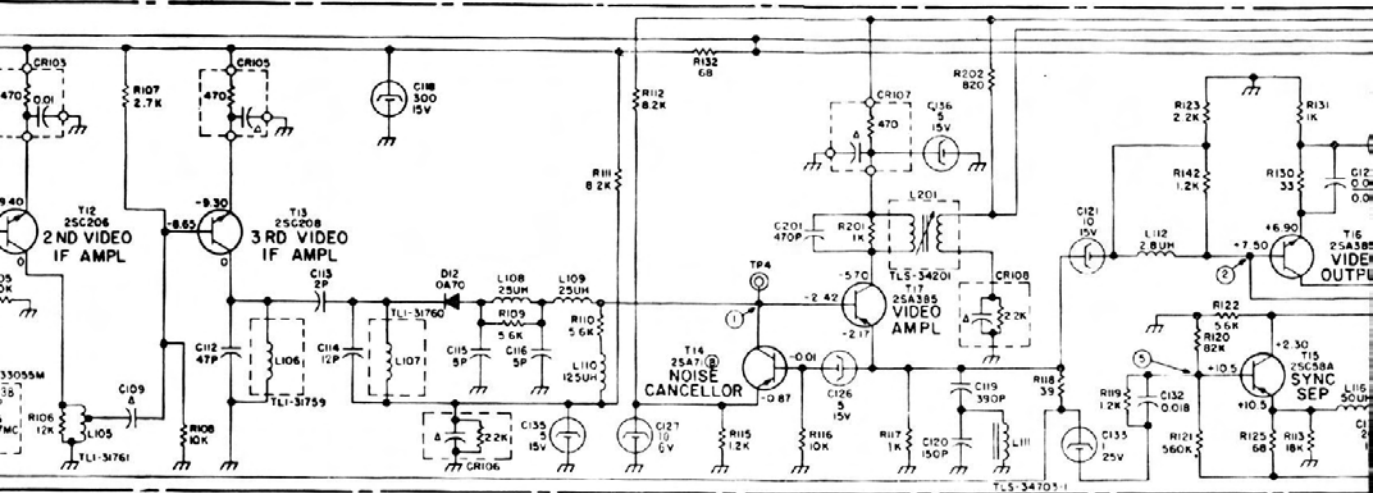
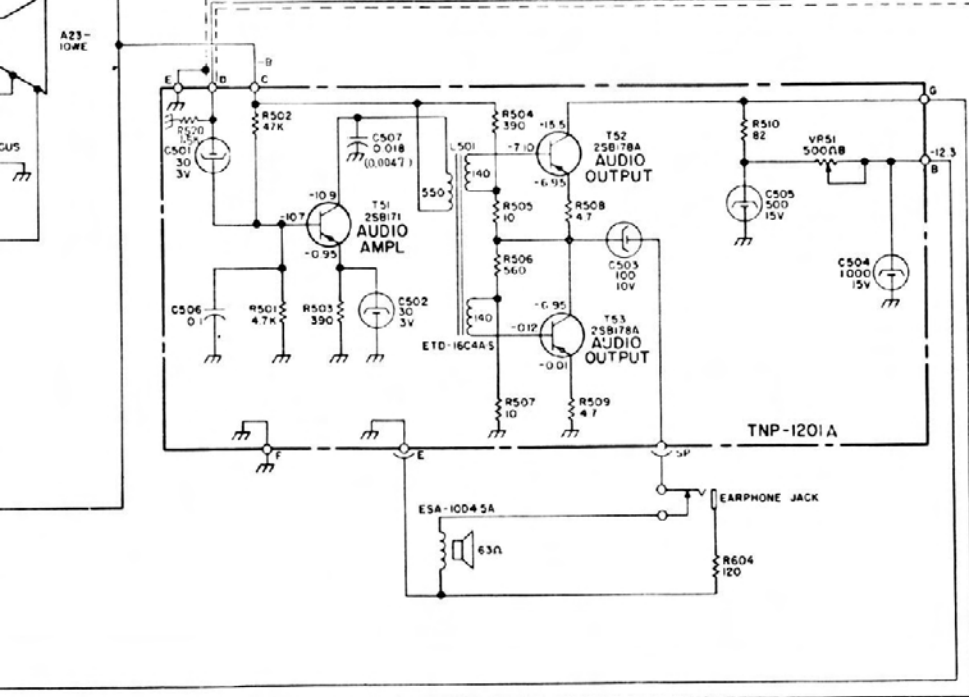
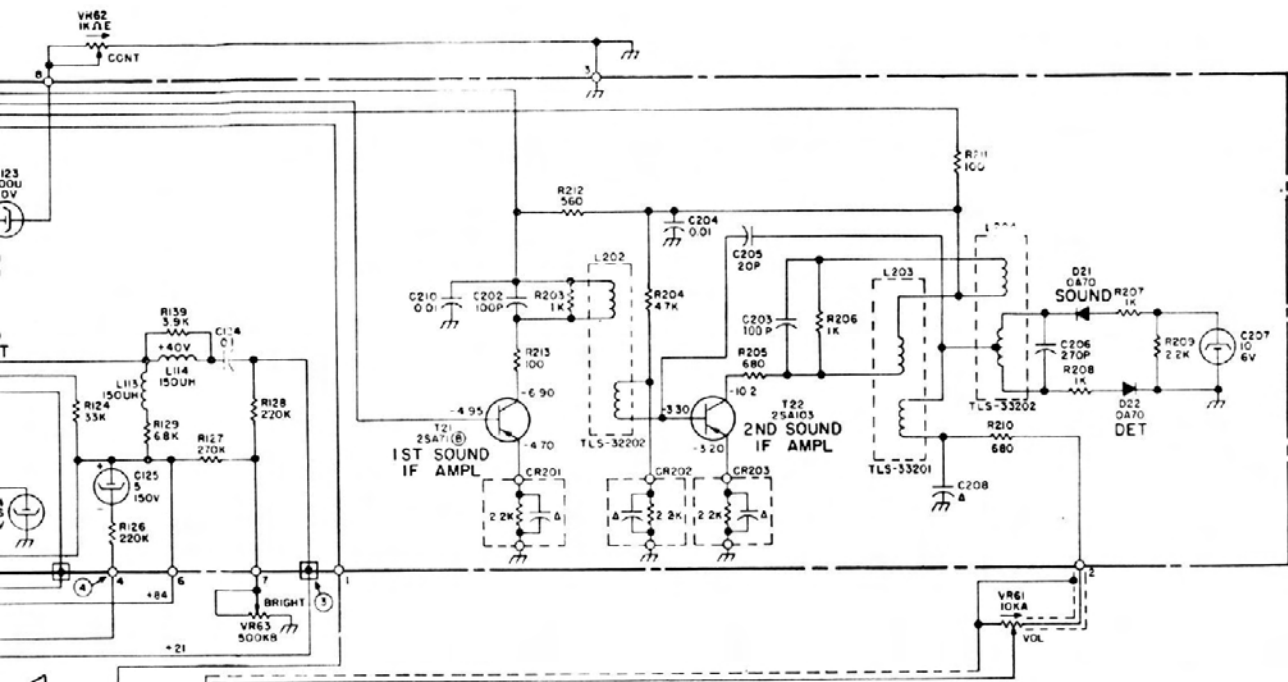


Panel F. Penncrest Model 1314 portable TV (made by Matsushita Electric Corp. of America). (Courtesy J. C. Penney Co.)

14-ENCLOSURE





1. Resistances are shown in ohms: k=1000, M=1,000,000.
2. Capacitances are shown in MFD otherwise noted: p=MMFD.
3. Capacitors marked "△" are 10,000 MMFD.
4. Coil resistance values less than 1 ohm are not shown.
5. D. C. voltages are read with vacuum tube meter and all controls set for normal picture.
6. D. C. voltages in ( ) are values for no signal input.
7. All waveforms are peak to peak voltages when video input ② is set to 0.8Vpp and contrast, brightness controls are set for maximum.
8. Marks "□" indicate junction point for terminal of the printed circuit boards.