

CONSENT FORM

BY COMPLETING THE INFORMATION AND SIGNING BELOW, I ACKNOWLEDGE THAT IN COMPLIANCE WITH THE TV RECALL PROGRAM ANNOUNCED BY CSA AND GRANDETEL TECHNOLOGIES INC. (FORMERLY MTC ELECTRONIC TECHNOLOGIES CO., LTD.), I HAVE FORWARDED MY TELEVISION SET TO

(STAMP/PRINT NAME & ADDRESS OF TV REPAIR SHOP)

GST Registration Number

THIS MODIFICATION DOES NOT LIMIT, REDUCE OR ALTER THE APPLICABLE PRODUCT WARRANTY WHICH MAY STILL BE IN EFFECT ON THIS TELEVISION AS DEMONSTRATED WITH MY BILL OF SALE.

TV OWNER'S NAME: _____

HOME ADDRESS: _____

POSTAL CODE: _____

HOME PHONE #: () _____

SIGNED BY: _____

DATE SIGNED: _____

TV OWNER / REPRESENTATIVE

THE FOLLOWING INFORMATION IS TO BE COMPLETED BY THE TV TECHNICIAN:

RECEIVED 'MTC' BRAND TELEVISION WITH THE FOLLOWING IDENTIFICATION:

MODEL: MTV-_____

SERIAL NUMBER: _____

(8 or 12 digits)

IMPRIMÉ AU CANADA



AUDIO VIDEO EQUIPMENT
ÉQUIPEMENT AUDIOVISUEL



PRINTED IN CANADA

CSA AUDIO VIDEO
EQUIPMENT LABEL #:

(Blue Colour Sticker)

(2 letters followed by 6 numbers)

All identification fields must be properly completed and the removed CF resistor (cream/beige body) attached below for our verification before payment is made. NO PAYMENT WILL BE MADE IF RESISTOR R320 IS ALREADY FUSIBLE (GREY BODY).

Please attach removed Carbon Film resistor here ->

Cream Body Colour

with transparent tape.

SIGNED BY: _____

DATE SIGNED: _____

REPAIR SHOP REPRESENTATIVE

THIS COMPLETED FORM, TOGETHER WITH THE REMOVED CARBON FILM RESISTOR, MUST BE RETURNED TO
GRANDETEL TECHNOLOGIES INC., 135 - 13500 MAYCREST WAY, RICHMOND, BC, V6V 2N8



Canadian Standards Association

GRANDETEL TECHNOLOGIES LTD.

VOLUNTARY RECALL

TORONTO, ONTARIO, NOVEMBER 9, 1995: GrandeTel Technologies Ltd. (formerly MTC Electronic Technologies Co. Ltd.) and the Canadian Standards Association (CSA) today announced that GrandeTel is voluntarily recalling approximately 55,000 MTC brand 14 inch and 20 inch colour televisions sold to wholesalers, distributors and retailers in Canada during the past three years. The MTC 14 inch and 20 inch colour television units involved are identified as models MTV1428R, MTV1428RF, MTV1429RF and MTV2030RF, as marked on the manufacturer's label attached to the rear portion of the television cabinet.

GrandeTel Technologies informed CSA that extensive product-use tests and an analysis of five recent consumer complaints had shown that under certain circumstances a resistor on the main component board may overheat, resulting in a potential fire hazard. Of these five reported incidents, two resulted in damage to the rear panel of the cabinet. GrandeTel is not aware any injuries. GrandeTel technicians have determined that the faulty resistor in question should be upgraded immediately by an authorized television repair centre.

GrandeTel Technologies has made arrangements with authorized service centres located across Canada to handle the replacement of resistors for affected television sets. The service centres will not charge the customer for such replacement service.

This recall involves the above-noted model units bearing the following serial numbers, which appear on the serial number label attached to the rear panel of each unit:

<u>Television Model</u>	<u>Serial Numbers *</u>
MTV1428R	Starting with "92" and "93"
MTV1428RF	93000001-940931005038
MTV1429RF	93000001-9407 111 01618
MTV2030RF	9404 120 00001-9411 120 02668

*Certain serial numbers in between the above numbers are not subject to recall.

Owners of the recalled televisions are directed to immediately stop using the televisions and are requested to call the toll-free phone no. (800) 898-1884 to confirm if their television's serial number is covered by the recall and to receive information regarding the location of the nearest authorized service centre.

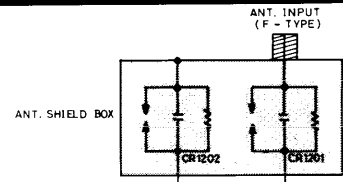
For further information, media calls should be directed to:

J. Patrick Howe
Howe & Company Inc.

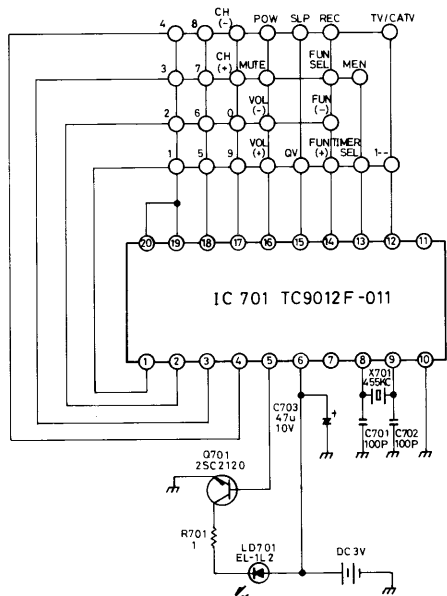
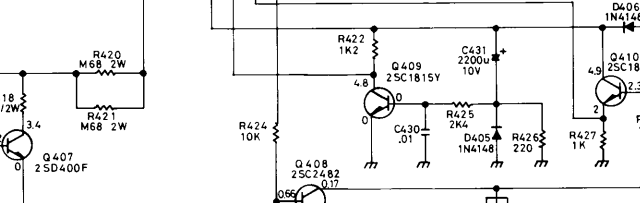
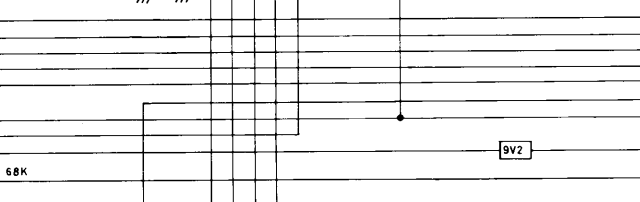
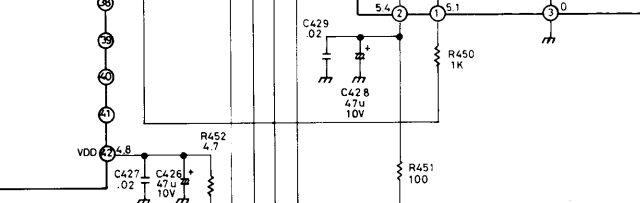
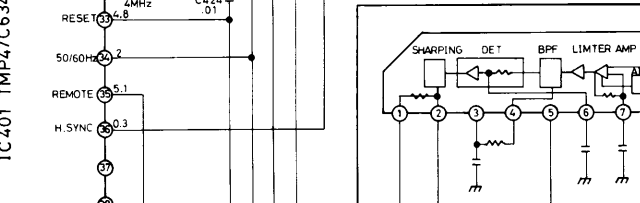
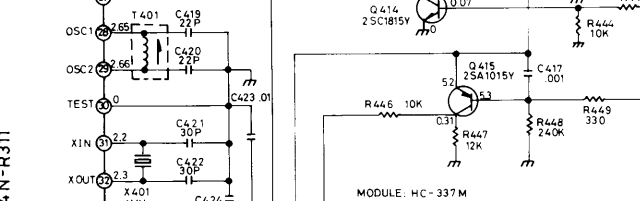
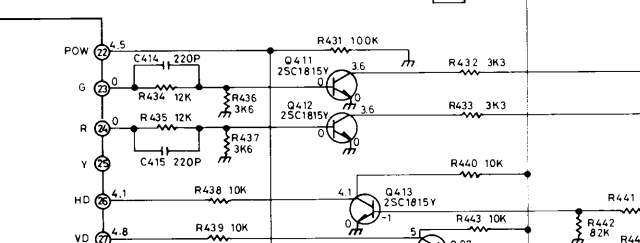
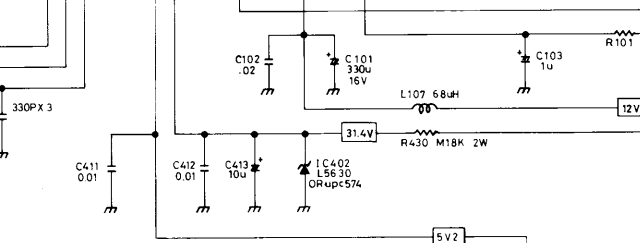
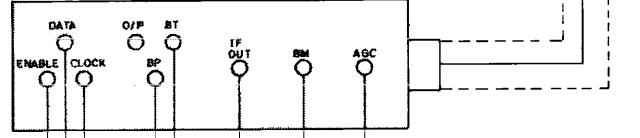
News Release

MTV-1428RF MTV-1429RF

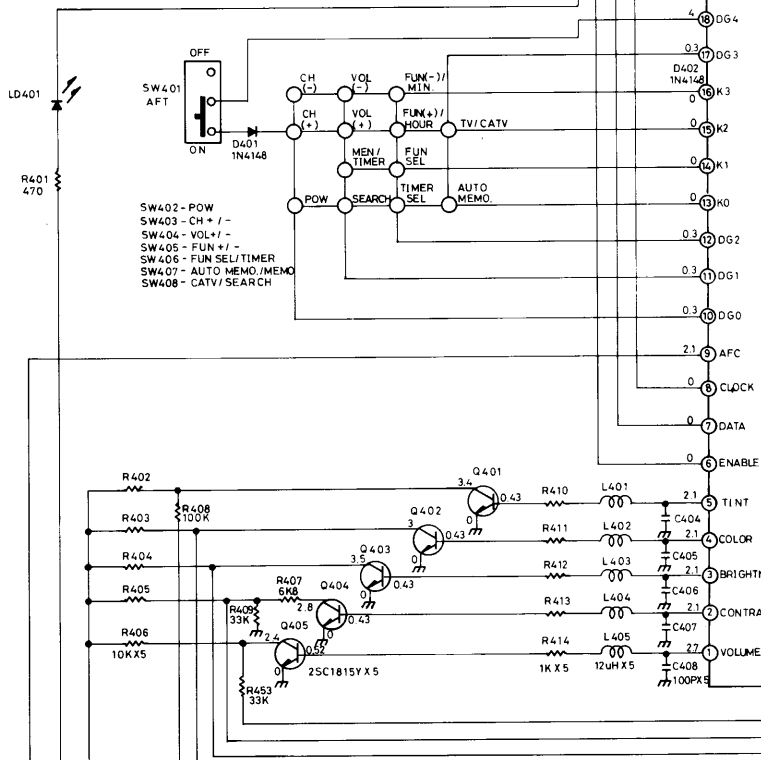
NOV. 16 1992



TUNER: LIVE 50-AW04D



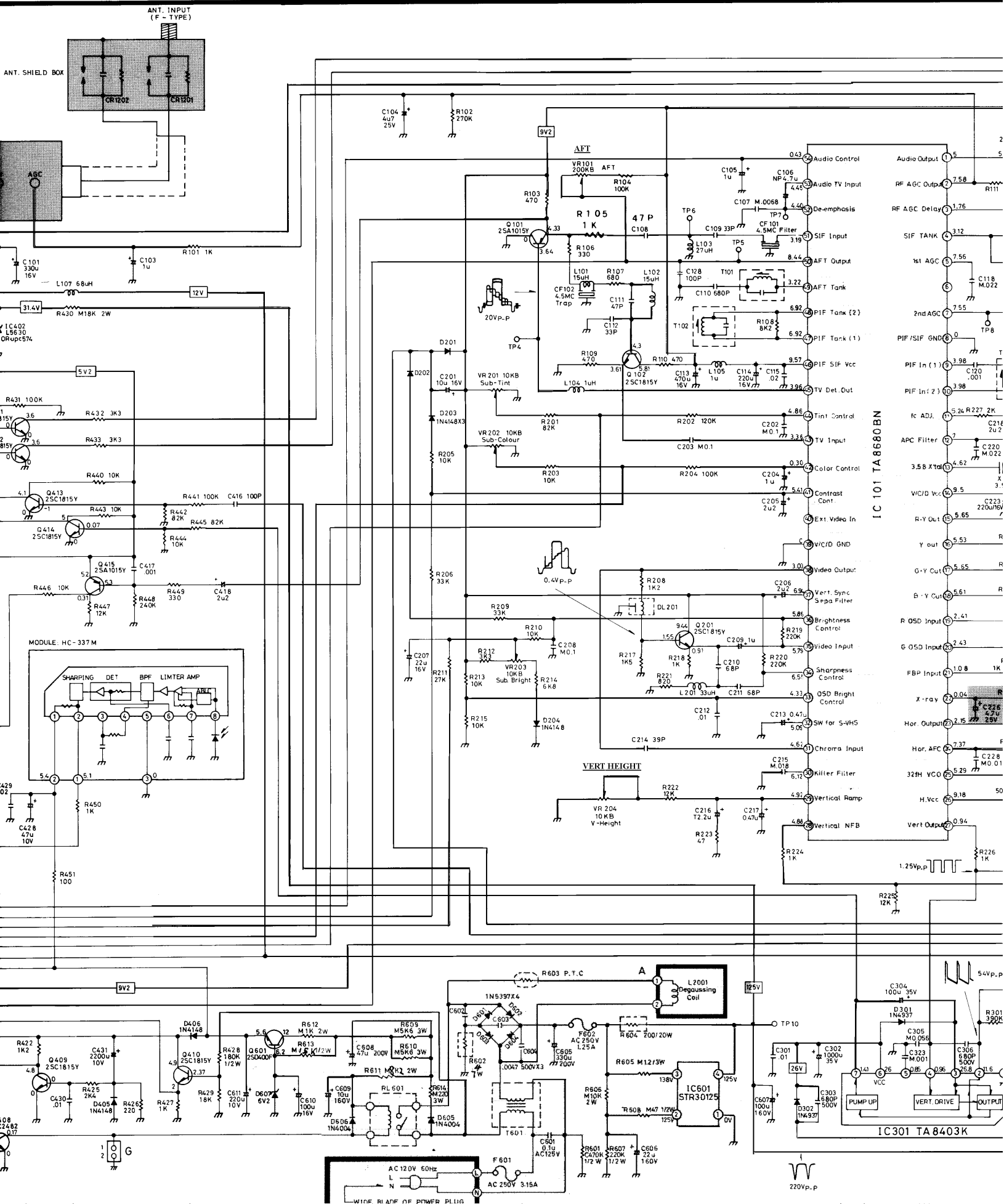
090-1428701-00 TRANSMITTER BOARD

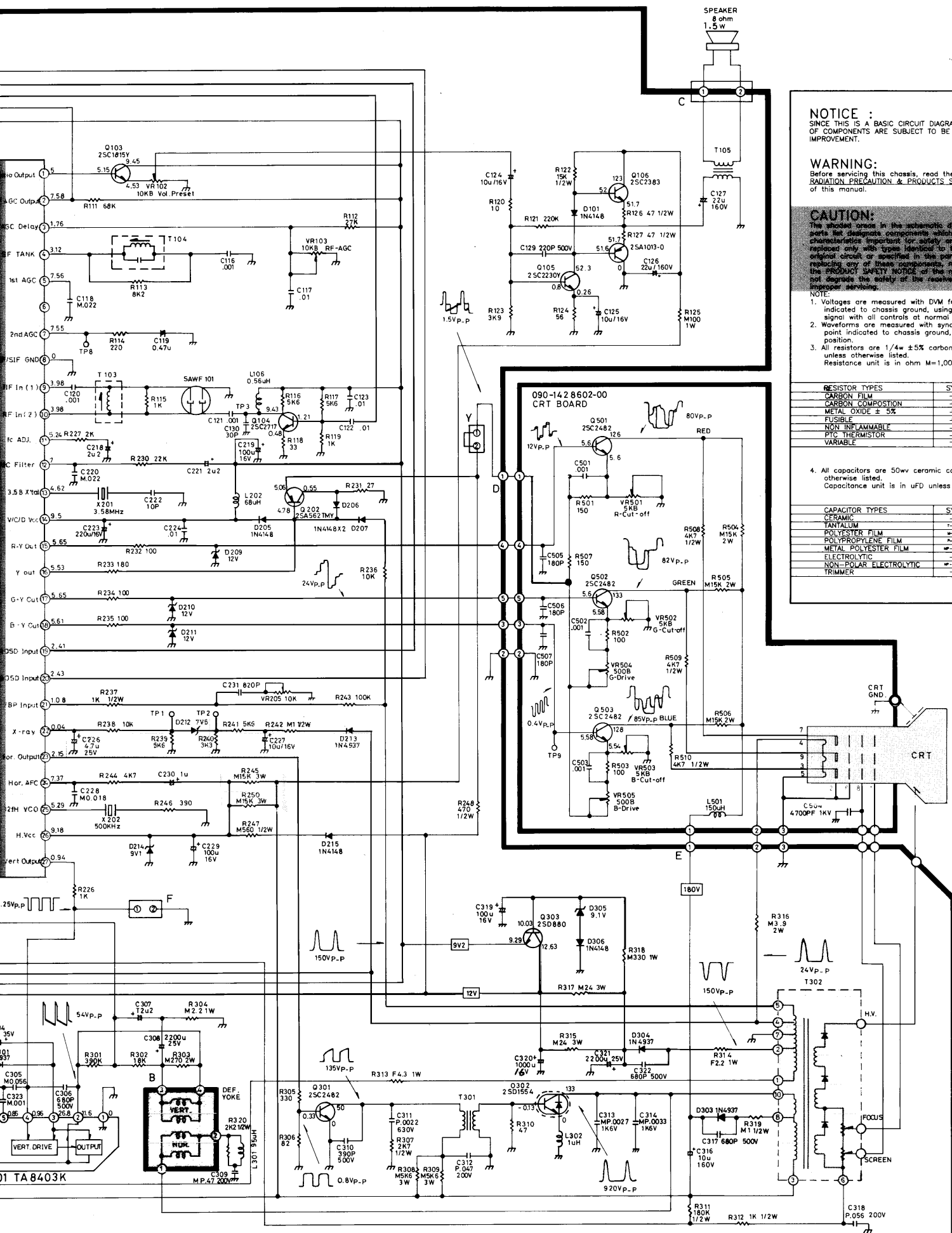


SW401 - POW
SW402 - CH + / -
SW403 - VOL + / -
SW404 - FUN + / -
SW405 - FUN - / -
SW406 - FUN SEL/TIMER
SW407 - AUTO MEMO./MEMO
SW408 - CATV/SEARCH

Corrections:

- R320: MUST BE FUSIBLE TYPE (F)
- R611: (M) 8K2 / 2W MOF TYPE
- R613: (M) 15K / 0.5W MOF TYPE





NOTICE :
 SINCE THIS IS A BASIC CIRCUIT DIAGRAM, THE VALUE OF COMPONENTS ARE SUBJECT TO BE CHANGE FOR IMPROVEMENT.

WARNING:
 Before servicing this chassis, read the X-RAY RADIATION PRECAUTION & PRODUCTS SAFETY NOTICE of this manual.

CAUTION:
 The components in the schematic diagram and the parts list designate components which have special characteristics important for safety and should be replaced only with types identical to those in the original circuit or specified in this parts list. Before replacing any of these components, read carefully the PRODUCT SAFETY NOTICE of the manual. Do not degrade the safety of the receiver through improper servicing.

- NOTE:**
1. Voltages are measured with DVM from point indicated to chassis ground, using color bar signal with all controls at normal position.
 2. Waveforms are measured with synchroscope from point indicated to chassis ground, using normal position.
 3. All resistors are 1/4W ±5% carbon film resistor unless otherwise listed.
 Resistance unit is in ohm M=1,000,000 K=1,000

RESISTOR TYPES	SYMBOL
CARBON FILM	—
CARBON COMPOSITION	—
METAL OXIDE ± 5%	—
FUSIBLE	—
NON INFLAMMABLE	—
PTC THERMISTOR	—
VARIABLE	—

4. All capacitors are 50wv ceramic capacitor unless otherwise listed.
 Capacitance unit is in uFD unless otherwise listed.

CAPACITOR TYPES	SYMBOL
CERAMIC	—
TANTALUM	—
POLYESTER FILM	—
POLYPROPYLENE FILM	—
METAL POLYESTER FILM	—
ELECTROLYTIC	—
NON-POLAR ELECTROLYTIC	—
TRIMMER	—

01 TA 8403K

GRANDETEL TV RECALL PROGRAM
REPLACEMENT OF RESISTOR ON MODELS
MTV1428R/RF, MTV1429RF (13" CTV) AND MTV2030RF (19" CTV)

RECALLED RANGE

<u>Model</u>	<u>Serial Numbers</u>
MTV1428R	Starting with "92" and "93" (8-digits)
MTV1428RF	93000001 - 940931005038
MTV1429RF	93000001 - 940711101618
MTV2030RF	940412000001 - 941112002686 (* See below)
	* Certain 12-digit serial numbers in between are not subject to recall. Call (800) 682-9688 or (800) 898-1884 to verify.

THE FOLLOWING PROCEDURE TO MODIFY THE AFFECTED TELEVISIONS IS STRICTLY VOLUNTARILY. IF YOU DO NOT WISH TO PERFORM THE REQUIRED MODIFICATION AS OUTLINED, PLEASE ADVISE THE TV OWNER OF THE RECALL PROGRAM AND ASK THE TV OWNER TO CONTACT US.

TV'S FORWARDED FOR REPAIR AND SUBJECT TO THE RECALL

We anticipate that some TV owners may not be aware of the TV recall program and that MTC brand TVs forwarded to you for repair would still have the old CF resistor in question (cream colour). We request that you inspect the resistor (R320) as part of your process and automatically perform the replacement if required. You will be reimbursed a fee of \$18 (+ GST if GST Registration number is provided) for each completed Consent Form.

CONSENT FORM

Included in this pack is the "Consent Form" which is self explanatory, for signature by TV owner / representative and your own representative. Please have the TV owner / representative complete the data and sign the consent form immediately when the TV is delivered to your premises. This consent form must be attached to your invoices together with the original resistor replaced by your technician.

REWORK PROCEDURE

1. - Resistor R320 is a 2.2K Ω 1/2W 5% Carbon Film (CF) Resistor. This is to be replaced by a Fusible Metal Oxide of the same value and rating. The carbon film resistor has a shiny light cream body colour (same as other CF resistor used on the chassis) whereas the Fusible Metal Oxide resistor is of a dull grey body colour. **DO NOT REPLACE R320 IF IT IS ALREADY OF A DULL GREY BODY COLOUR.**
 - The resistor is located underneath one edge of the heat sink for the Horizontal O/P Transistor (Q302). Simply remove the existing CF resistor and replace it with the Fusible Metal Oxide Resistor supplied by GrandeTel.
 - Do not discard the carbon film resistor. It has to be attached to the Consent Form.
2. **Resolder the solder joints for L301 (13" Models) or L301 and L303 (19" Models).**

To expedite this process, we are including several pieces of the Fusible Metal Oxide Resistor to you at this time. The resistors are invoiced at no cost to you. You can order more as you require them.

MARKINGS AFTER REPLACEMENT IS DONE

We request that you leave a marking on the TV back cabinet to indicate the replacement Fusible resistor has been installed. The marking shall be a **date code in the format of 'MM-DD-YY'** (e.g., 11-15-95) on the white coloured "Inspected OK" sticker on the back cabinet. Please use a ball point pen or other non-water soluble marker.

CLAIM PROCEDURE

GrandeTel is paying a flat rate of \$18 (GST extra) for this procedure. If R320 is already of the fusible type (grey body colour), **NO MODIFICATION IS NEEDED AND NO FEE WILL BE PAID.**

The following must be attached with your claim:

1. A completed Consent Form
2. The original Carbon Film resistor (cream colour body) removed must be taped to the Consent Form.

IF YOU HAVE ANY QUESTIONS ON THIS MATTER, PLEASE CONTACT US AT

TEL: (800) 682-9688 FAX: (800) 665-6828