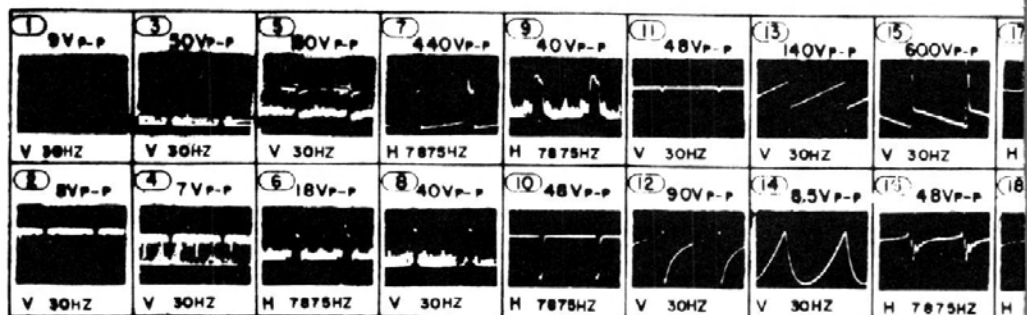
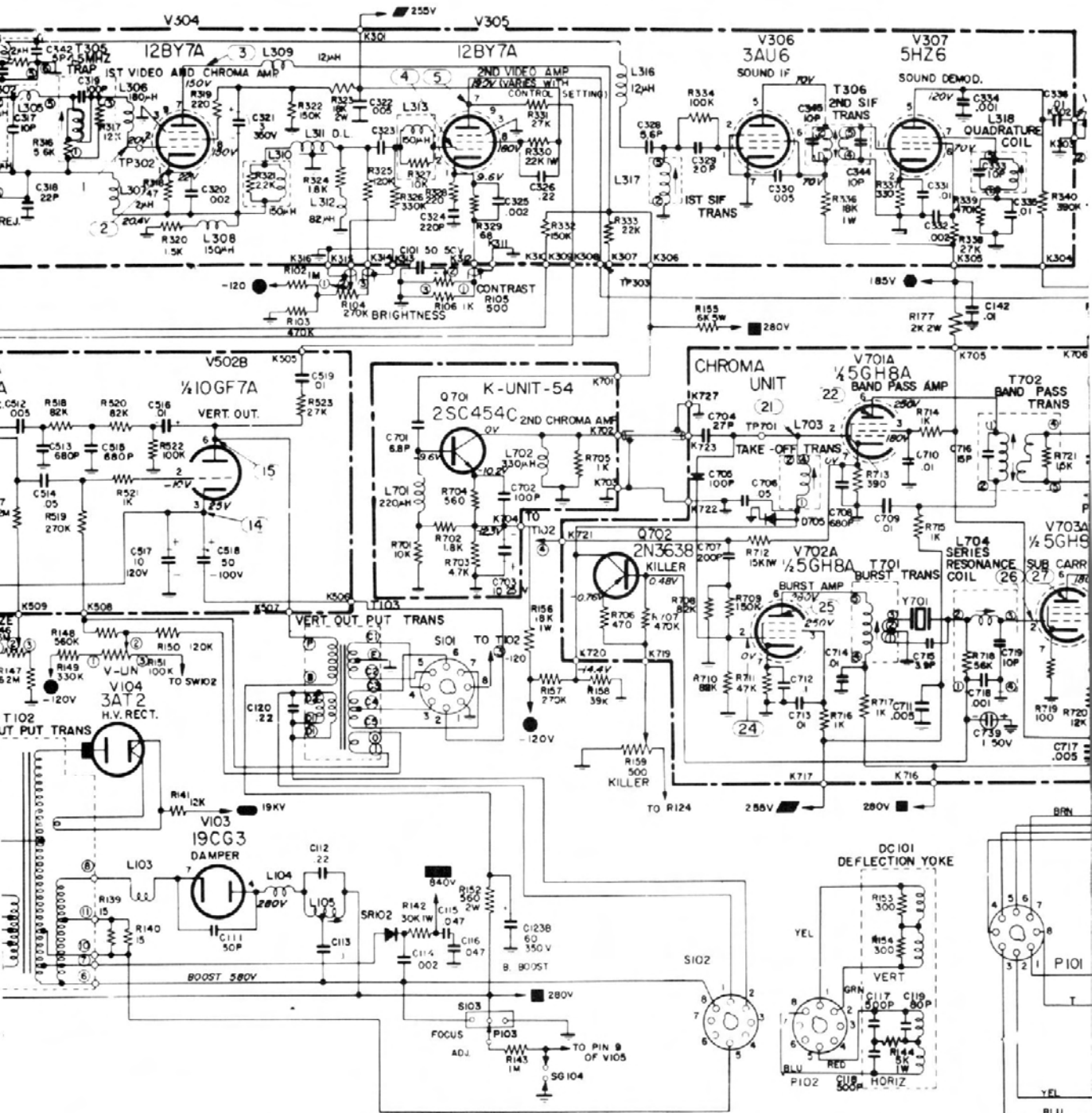


WAVEFORM MEASUREMENTS
 CONDITION: COLOR BAR GENERATOR (GATED RAINBOW TYPE)
 1VOLT PEAK TO PEAK AT CONTROL GRID OF FIRST VIDEO AMP AND APPROX. -0.2 VOLTS RF AGC BIAS.



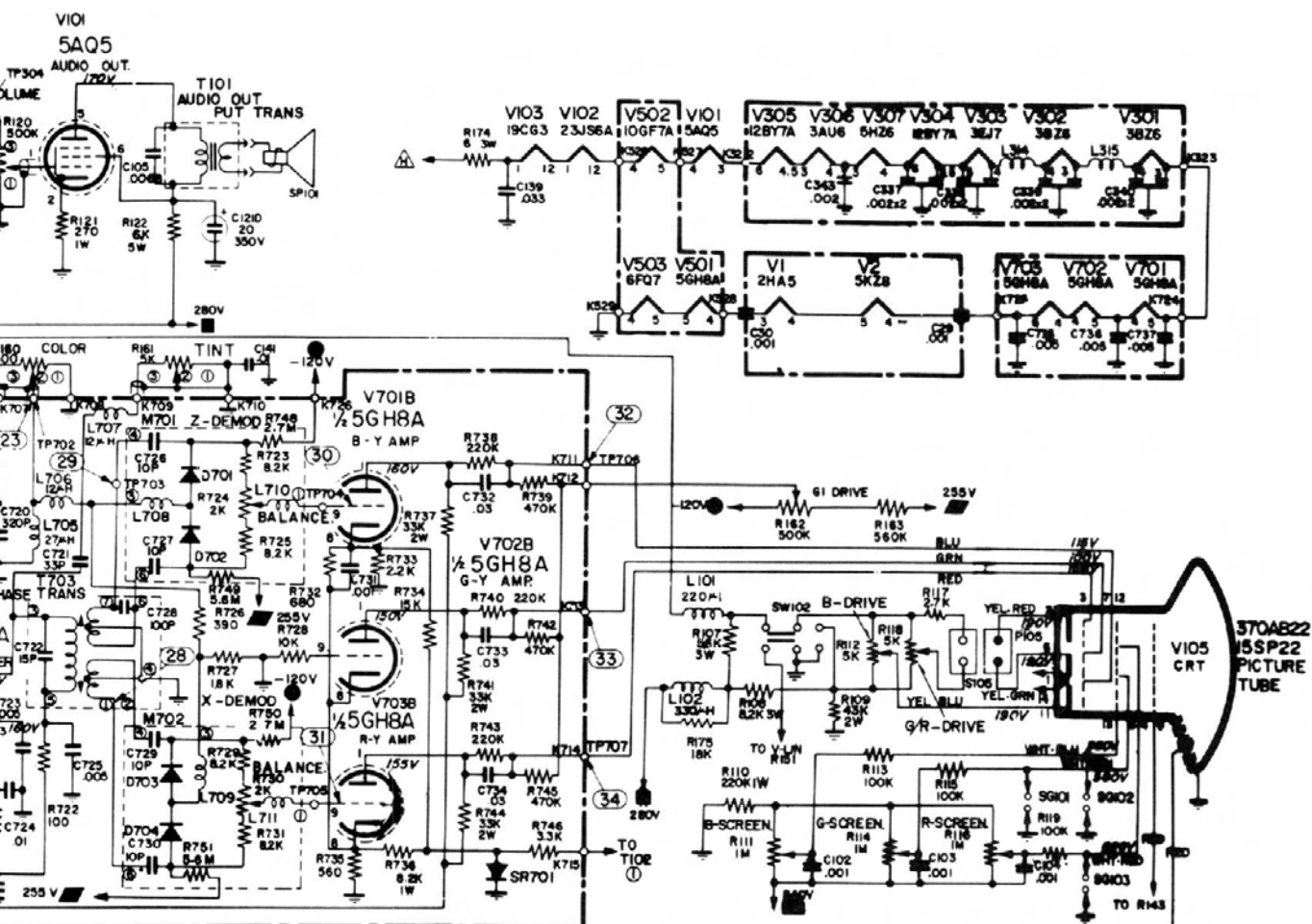
Panel D. Midland Model 15-214 TV. (Courtesy Midland International Corp.)



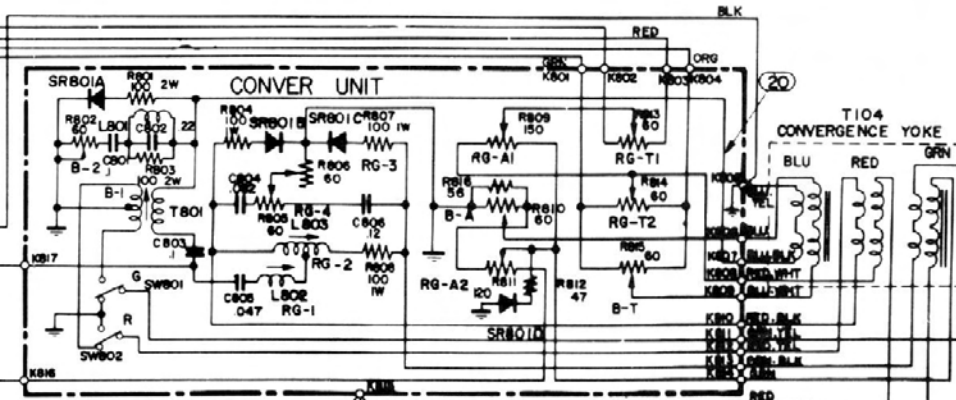
17 70Vp-p	19 180Vp-p	21 24Vp-p	23 48Vp-p	25 210Vp-p	27 160Vp-p	29 38Vp-p	31 10Vp-p	33 160Vp-p
7875HZ	H 7875HZ	M 7875HZ	H 7875HZ	H 7875HZ	H 7875HZ	H 7875HZ	H 7875HZ	H 7875HZ
160Vp-p	20 35Vp-p	22 60Vp-p	24 68Vp-p	26 18Vp-p	28 31Vp-p	30 13Vp-p	32 150Vp-p	34 180Vp-p
7875HZ	H 7875HZ	H 7875HZ	H 7875HZ	H 7878HZ	H 7878HZ	H 7875HZ	H 7875HZ	H 7875HZ
								35 0.8Vp-p
								V 30HZ

VOLTAGE SYN

-
- ▲
-
- ★
-



185V NORMAL PICTURE
 17-21kV VARIES WITH ADJUSTMENT
 OF BRIGHTNESS CONTROL.



DC VOLTAGE MEASUREMENTS ARE AT NO SIGNAL CONDITION.

