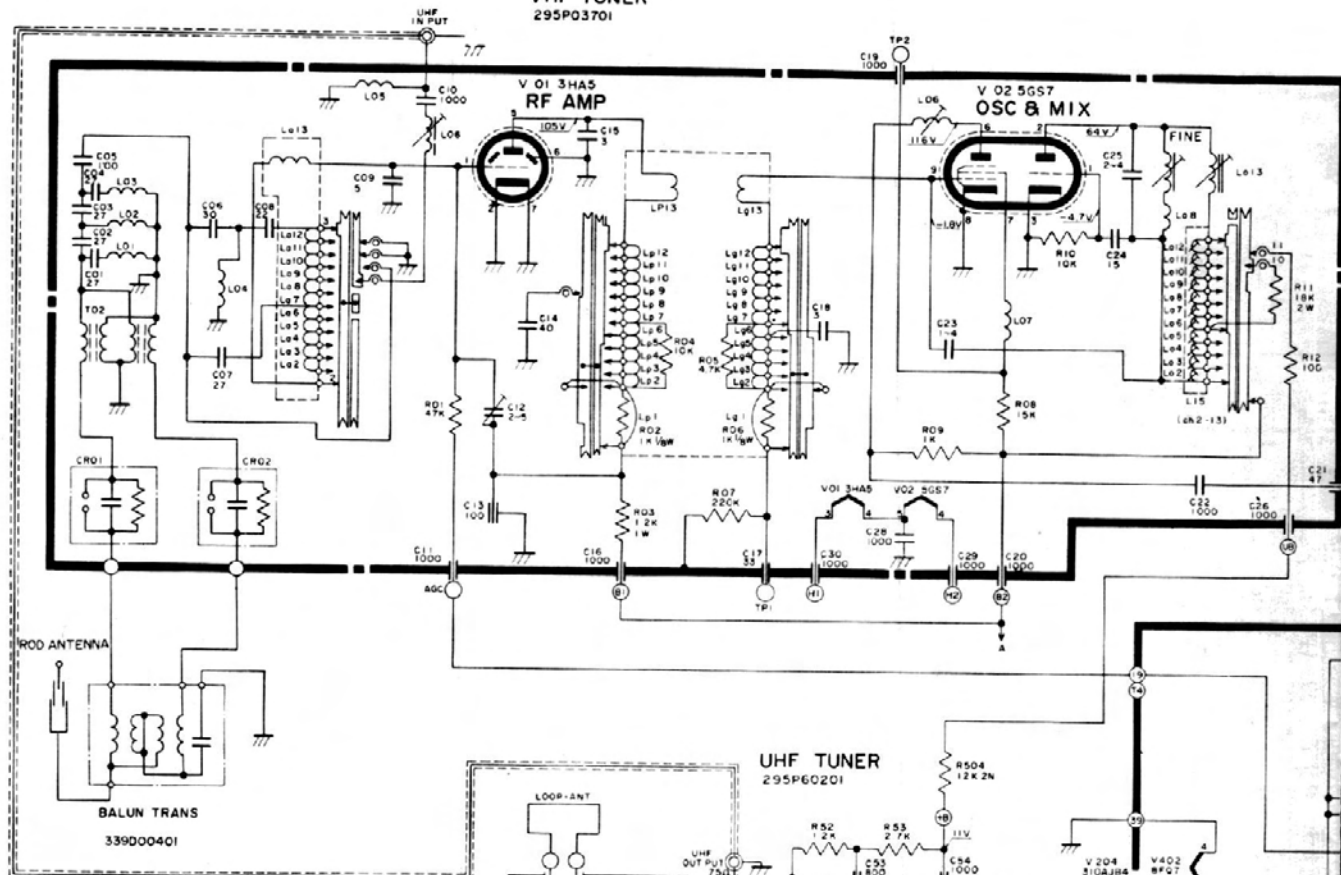


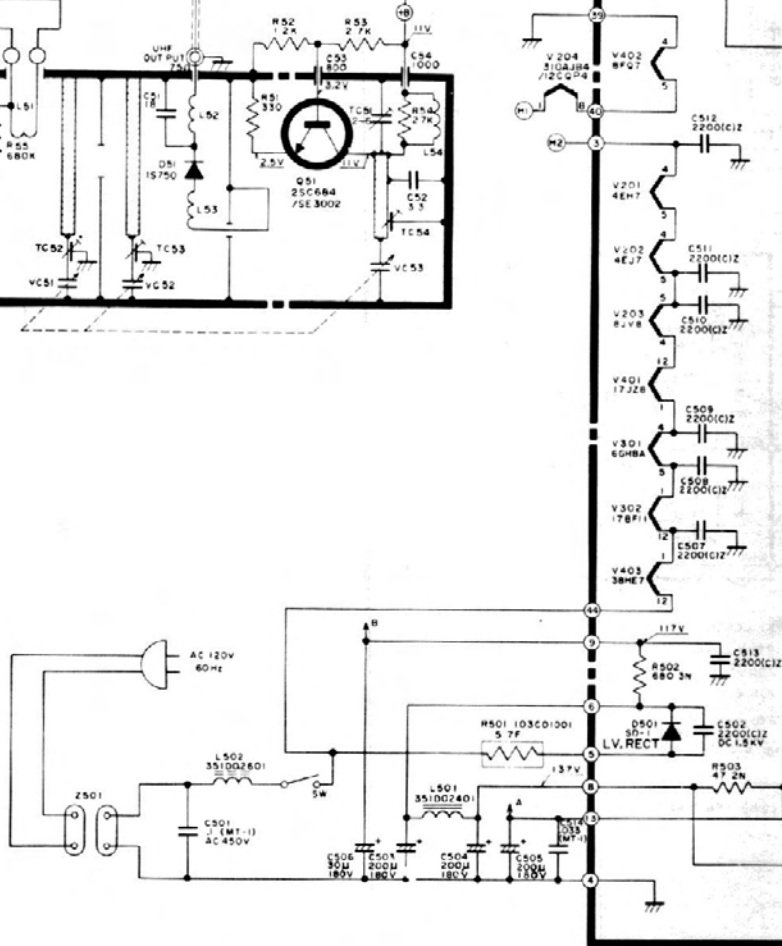
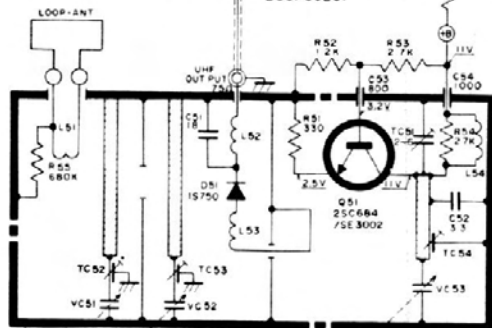
VHF TUNER  
295P03701



NOTE 1:

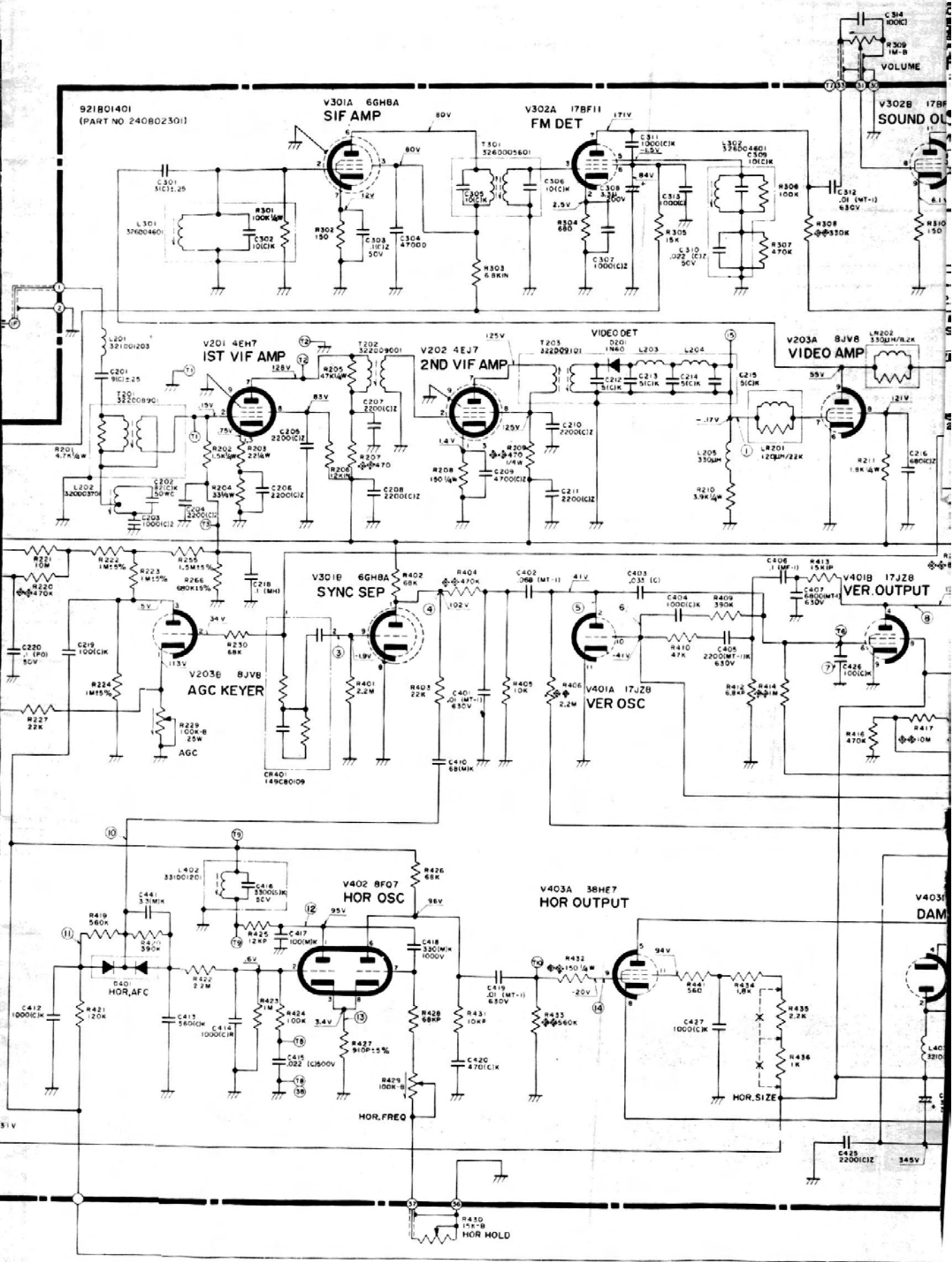
- The unit of resistance "ohm" entirely omitted.  
Accordingly, K = 1000 ohms,  
M = 1000K ohms.
- The wattage of resistance, not specifically designated, is: 1/2 watts.
- Resistance, not specifically designated, is: Fixed Composition resistor (Solid type)
- The marks of resistance are as follows:  
P: Carbon film resistor, for example, 15KIP  
N: Metal oxide film resistor, for example, 5.6K3N  
F: Fusible resistor, for example, 5 7F
- The tolerance of resistance value, not specifically designated, is:  $\pm 10\%$ , and  $** = \pm 20\%$
- The unit of capacitance, not specifically designated, is:  
a)  $\mu\text{F}$  for numbers less than 1  
b) PF for numbers more than 1
- The marks of capacitance are as follows:  
(C): Ceramic disc - shaped  
(S): Styrol type  
(M): Mica type  
(PO): Polyester film  
(MT-1): Closed type paper
- The tolerance of capacity value, not specifically designated, but except the electrolytic capacitor is:  $\pm 20\%$ ,  
K =  $\pm 10\%$ , and Z =  $- 0\%$

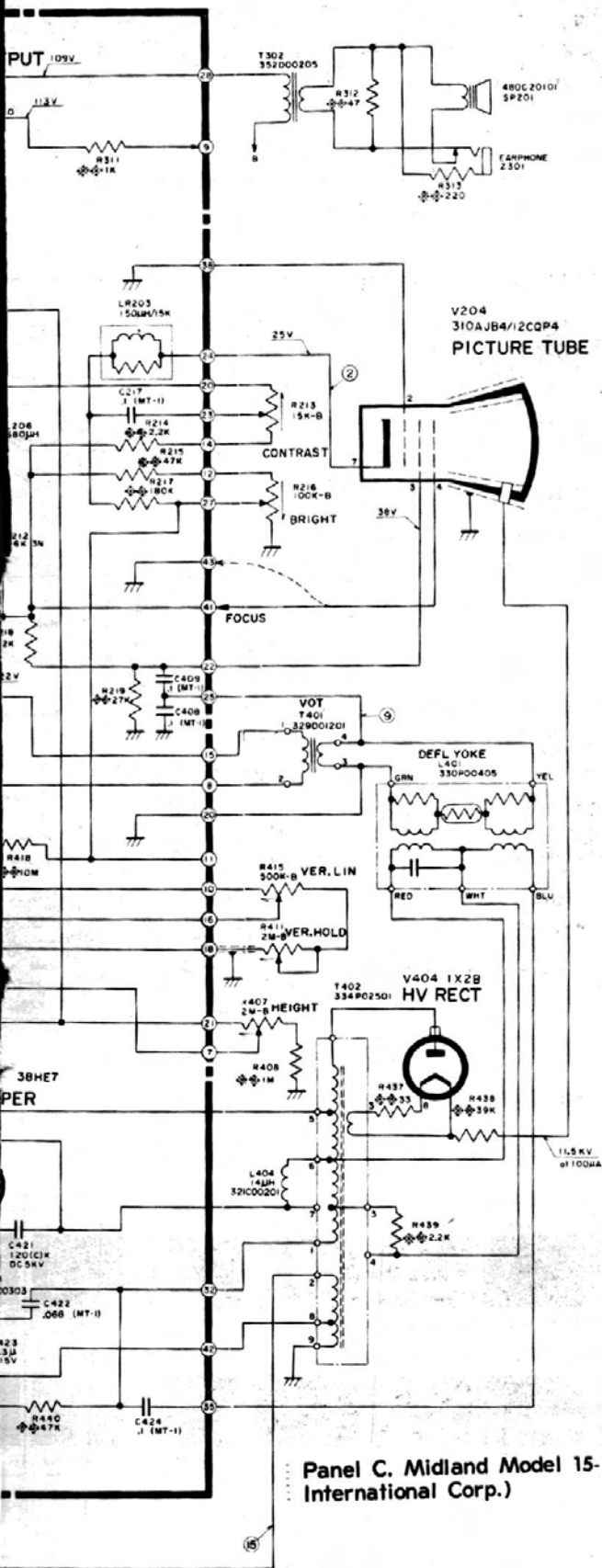
UHF TUNER  
295P60201



NOTE 2:

- DC voltage are measured from point indicated to circuit ground with a VTVM.  
Line voltage at 120V AC no signal applied.
- Waveform were taken with controls set for a normal picture.





Panel C. Midland Model 15-114 portable TV. (Courtesy. Midland International Corp.)