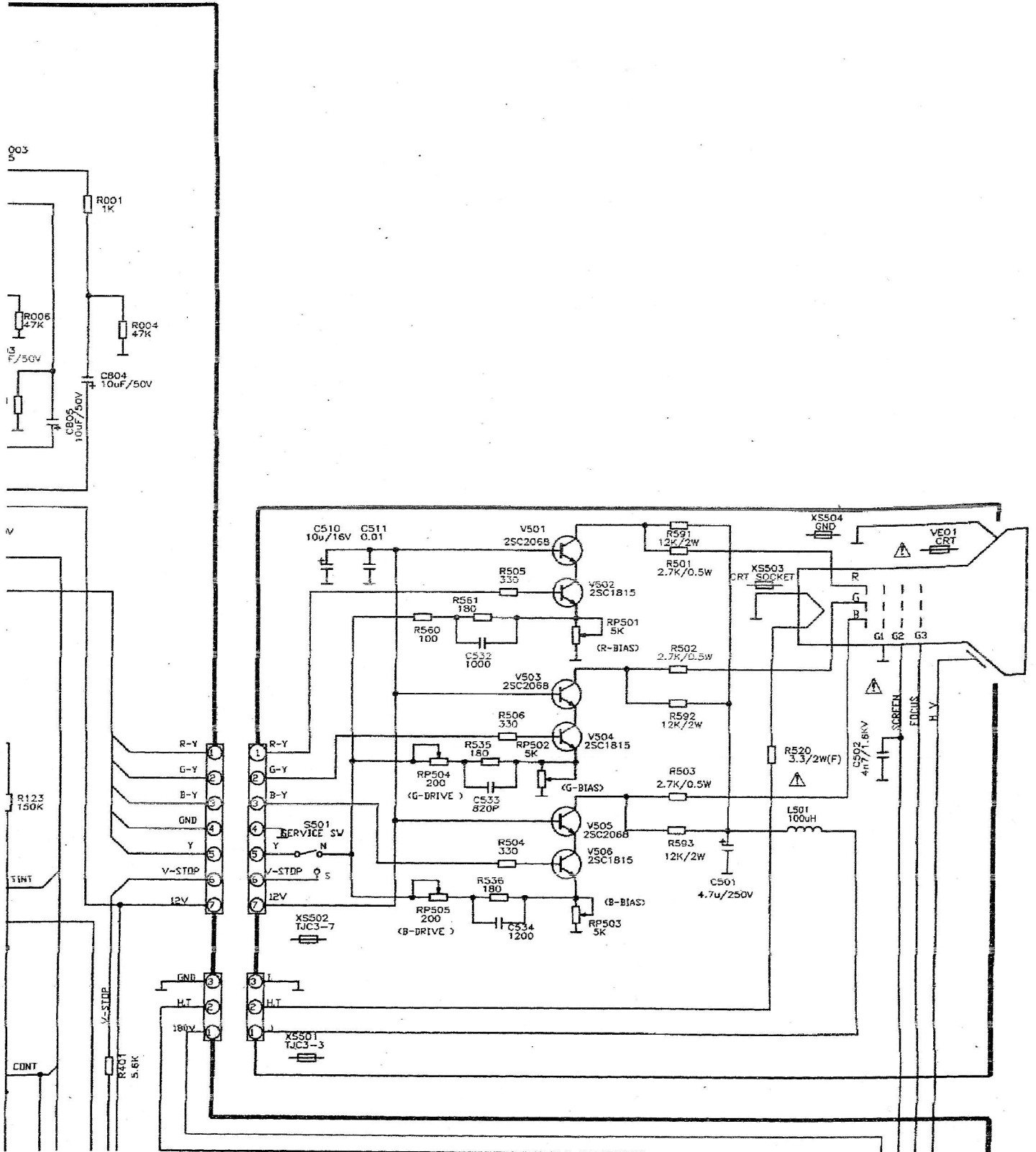
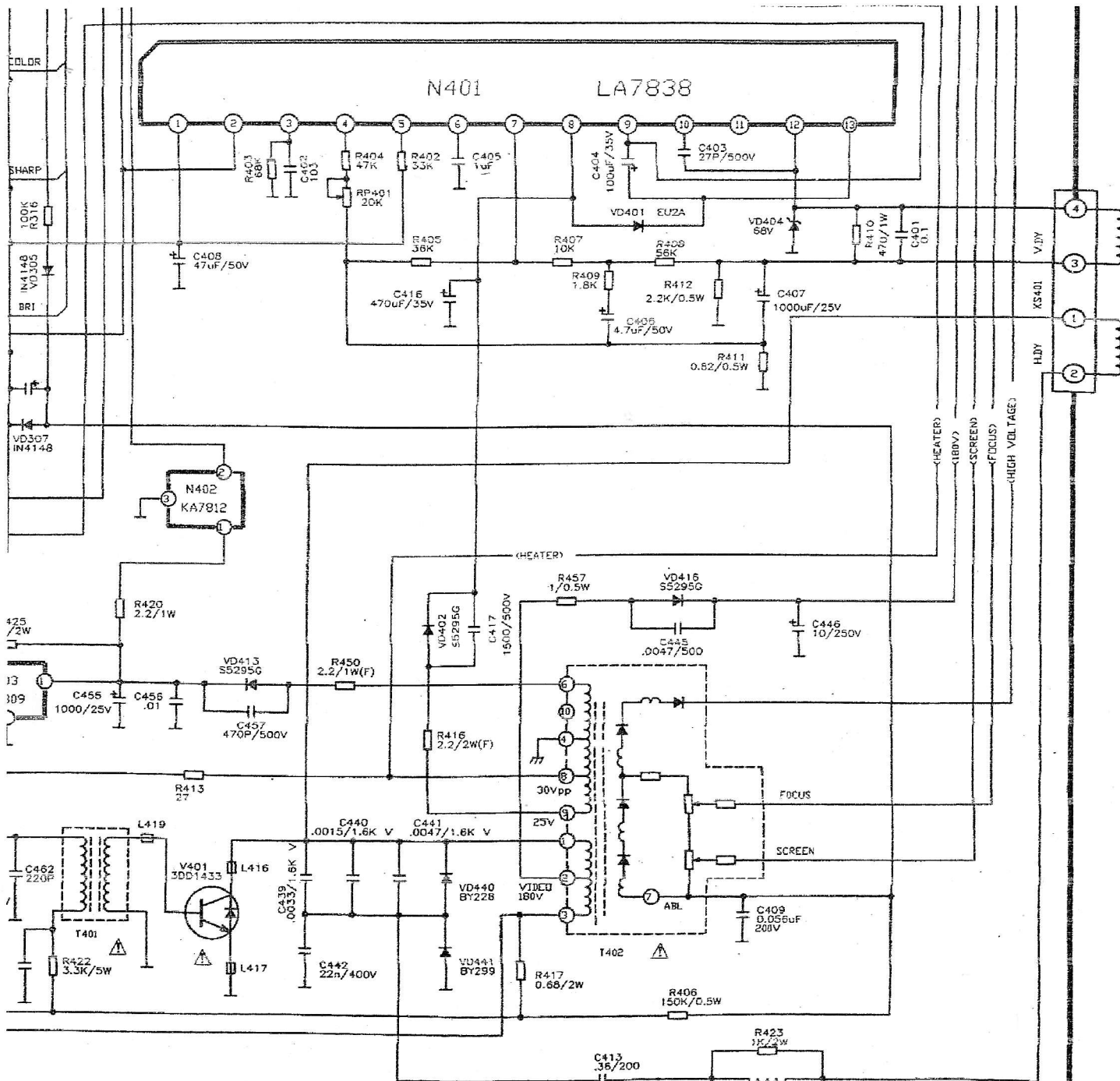


H

5





Flay back II = T402  
 BSC 28-0711