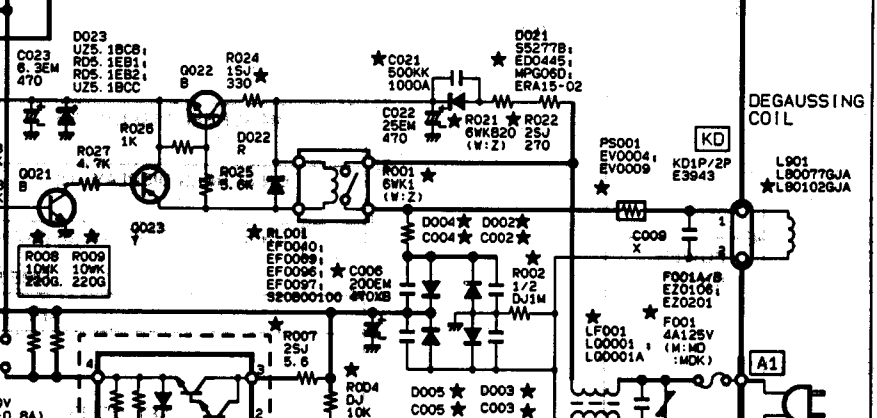
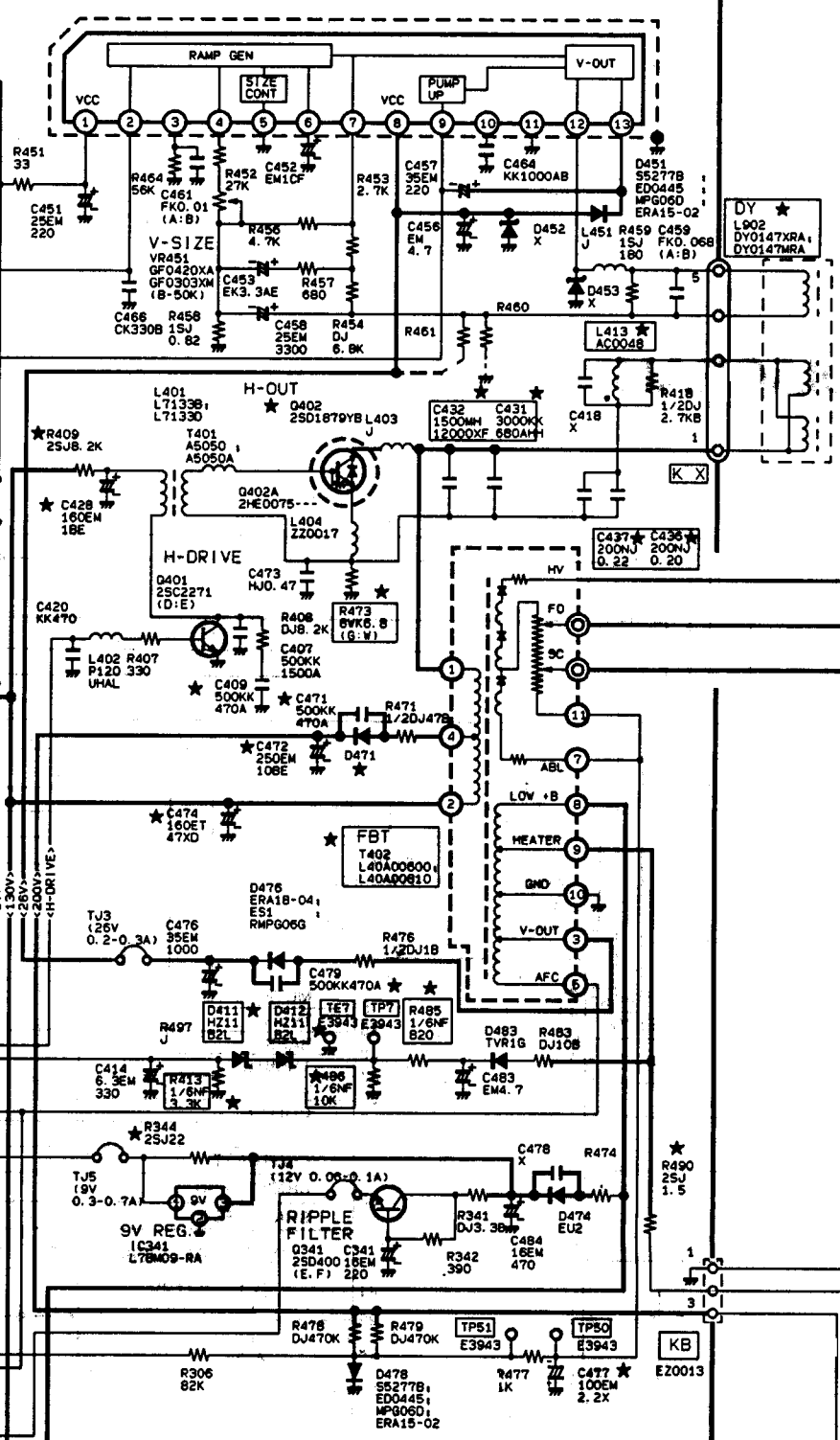
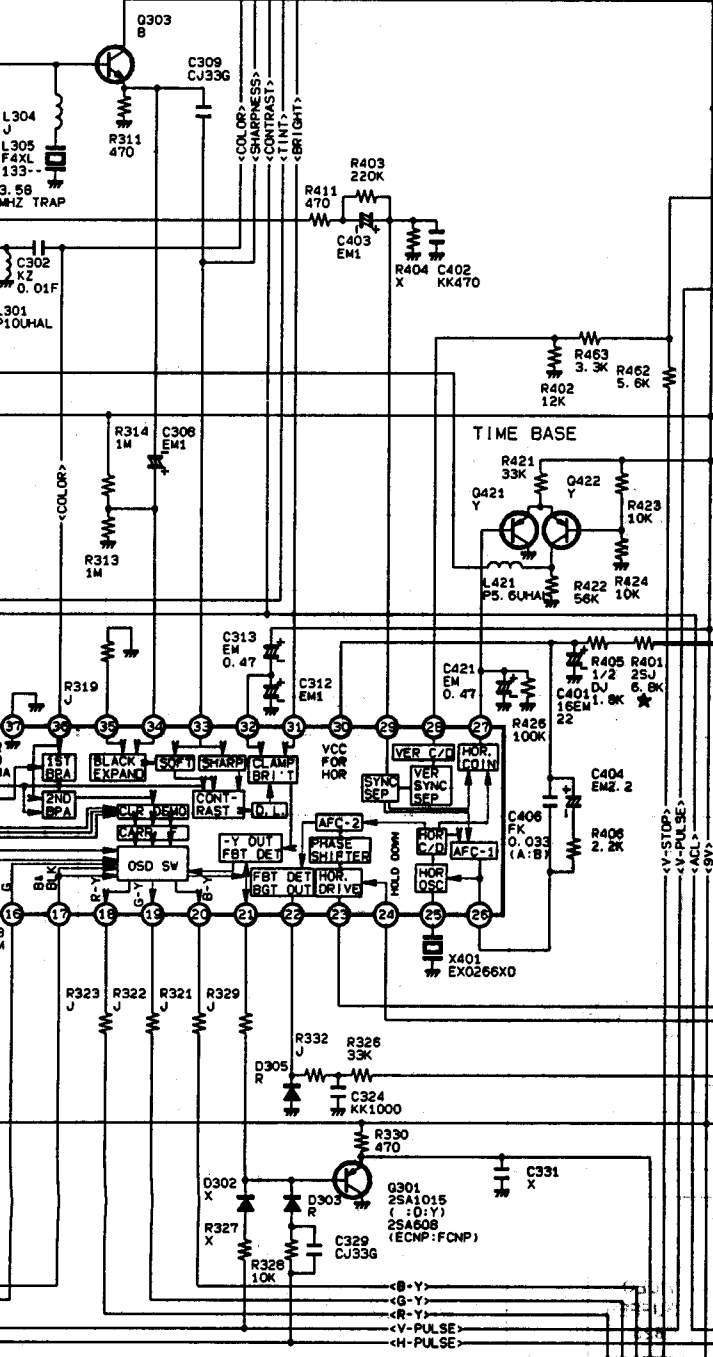


R476 = 1 ohm 1/2 watt flammproof.

V-OUT
★ IC451
LA7838

IC451A
4AA2HE0075---



DY ★
L902
DY0147XRA;
DY0147MRA

K X
C437 ★ C438 ★
200NJ 200NJ
0.22 0.20

F0
9C
ABL 7
LOV +B 8
HEATER 9
GND 10
V-OUT 3
AFC 6

R490
25J
1.5

DEGAUSSING
COIL
L901
LB0077GJA
★ LB0102GJA

AC CORD
V901