

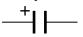

SCHEMATIC DIAGRAM

MODEL : 43H70 ChassisNo. TAC0070
43HX70 ChassisNo. TAC0074

WARNING: BEFORE SERVICING THIS CHASSIS, READ THE "X-RAY RADIATION PRECAUTION", "SAFETY PRECAUTION" AND "PRODUCT SAFETY NOTICE" ON THE MANUAL FOR THIS MODEL.

CAUTION: The international hazard symbols " \triangle " in the schematic diagram and the parts list designate components which have special characteristics important for safety and should be replaced only with types identical to those in the original circuit or specified in the parts list. The mounting position of replacements is to be identical with originals. Before replacing any of these components, read carefully the PRODUCT SAFETY NOTICE on the MANUAL for this model. Do not degrade the safety of the receiver through improper servicing.

NOTE:

- RESISTOR** Resistance is shown in ohm [K = 1.000, M = 1.000.000]. All resistors are 1/6W and 5% tolerance carbon resistor, unless otherwise noted as the following marks.
1/2R = Metal or Metal oxide of 1/2 watt 1/2S = Carbon composition of 1/2 watt
1RF = Fuse resistor of 1 watt 10W = Cement of 10 watt
K = $\pm 10\%$ G = $\pm 2\%$ F = $\pm 1\%$
- CAPACITOR** Unless otherwise noted in schematic, all capacitor values less than 1 are expressed in μF , and the values more than 1 in pF.
All capacitors are ceramic 50V, unless otherwise noted as the following marks.
 Electrolytic capacitor  Mylar capacitor
- The parts indicated with " \triangle " have special characteristics, and should be replaced with identical parts only.
- Voltages read with DIGITAL MULTI-METER from point indicated to chassing ground, using a color bar signal with all controls at normal, line voltage 120 volts.
- Waveforms are taken receiving color bar signal with enough sensitivity.
- Voltage reading shown are nominal values and may vary $\pm 20\%$ except H.V.

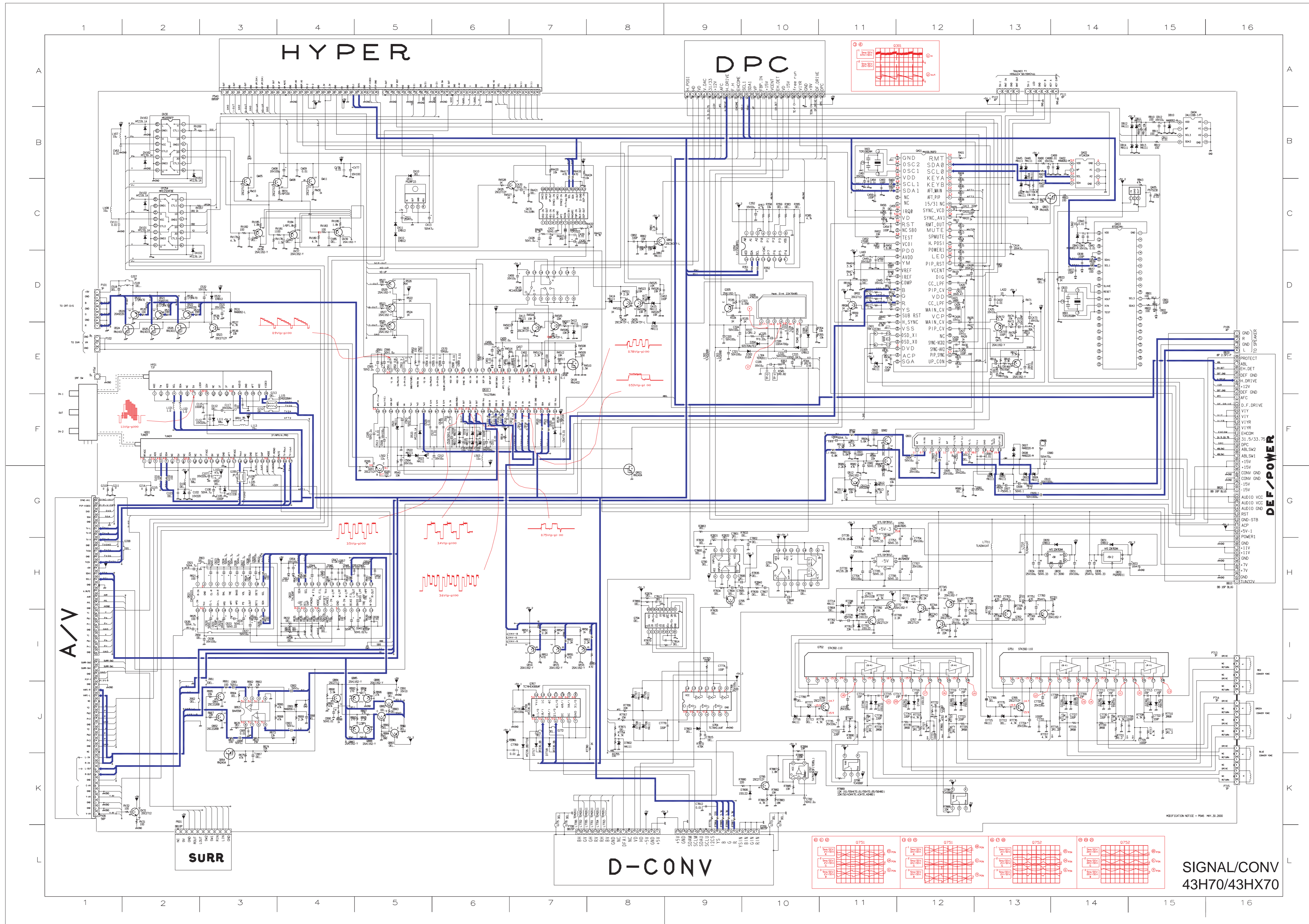
WARNING: BEFORE SERVICING THIS CHASSIS, READ THE "X-RAY RADIATION PRECAUTION", "SAFETY PRECAUTION" AND "PRODUCT SAFETY NOTICE" ON THE MANUAL FOR THIS MODEL.

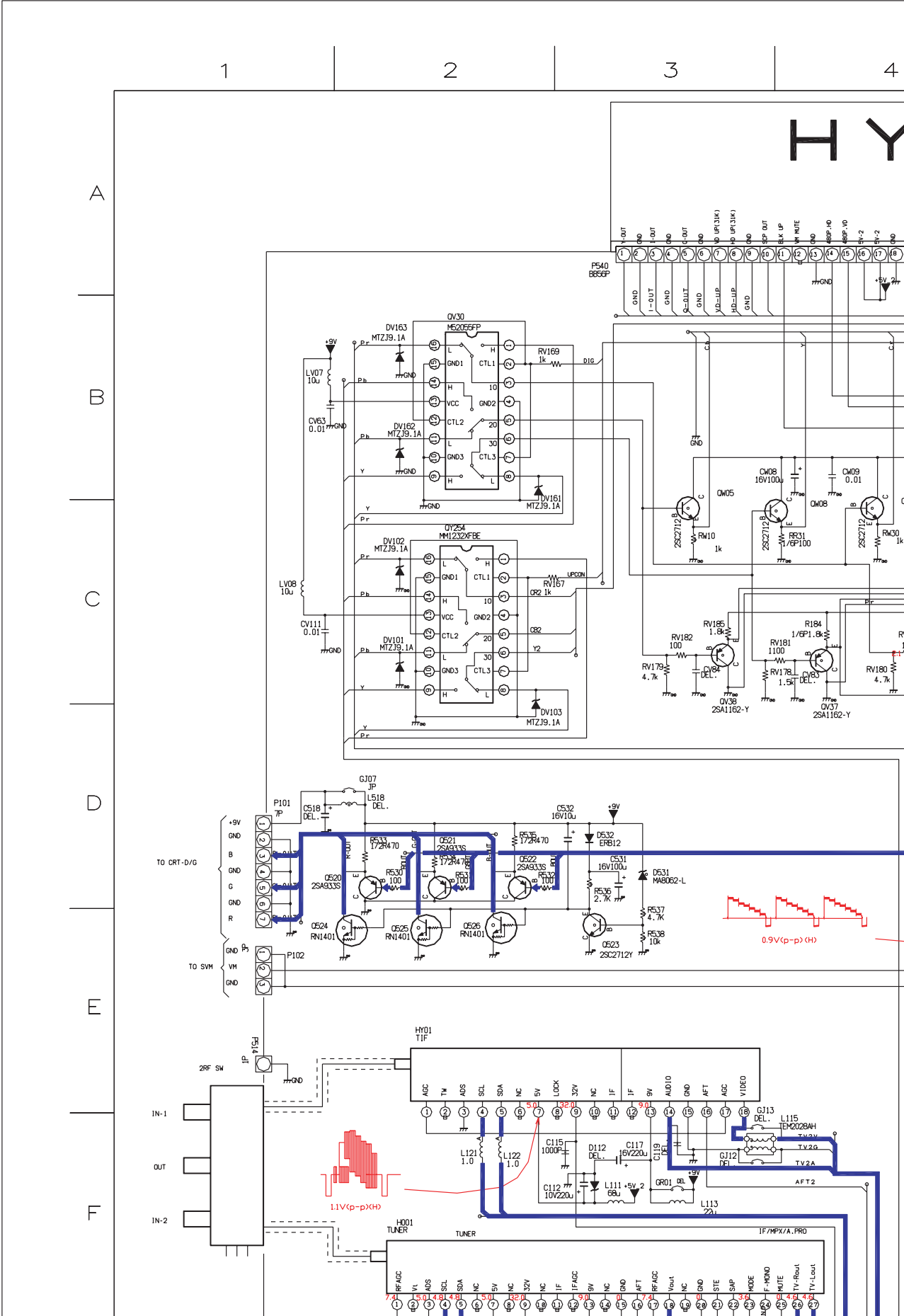
CAUTION: The international hazard symbols "△" in the schematic diagram and the parts list designate components which have special characteristics important for safety and should be replaced only with types identical to those in the original circuit or specified in the parts list. The mounting position of replacements is to be identical with originals. Before replacing any of these components, read carefully the PRODUCT SAFETY NOTICE on the MANUAL for this model. Do not degrade the safety of the receiver through improper servicing.

NOTE:

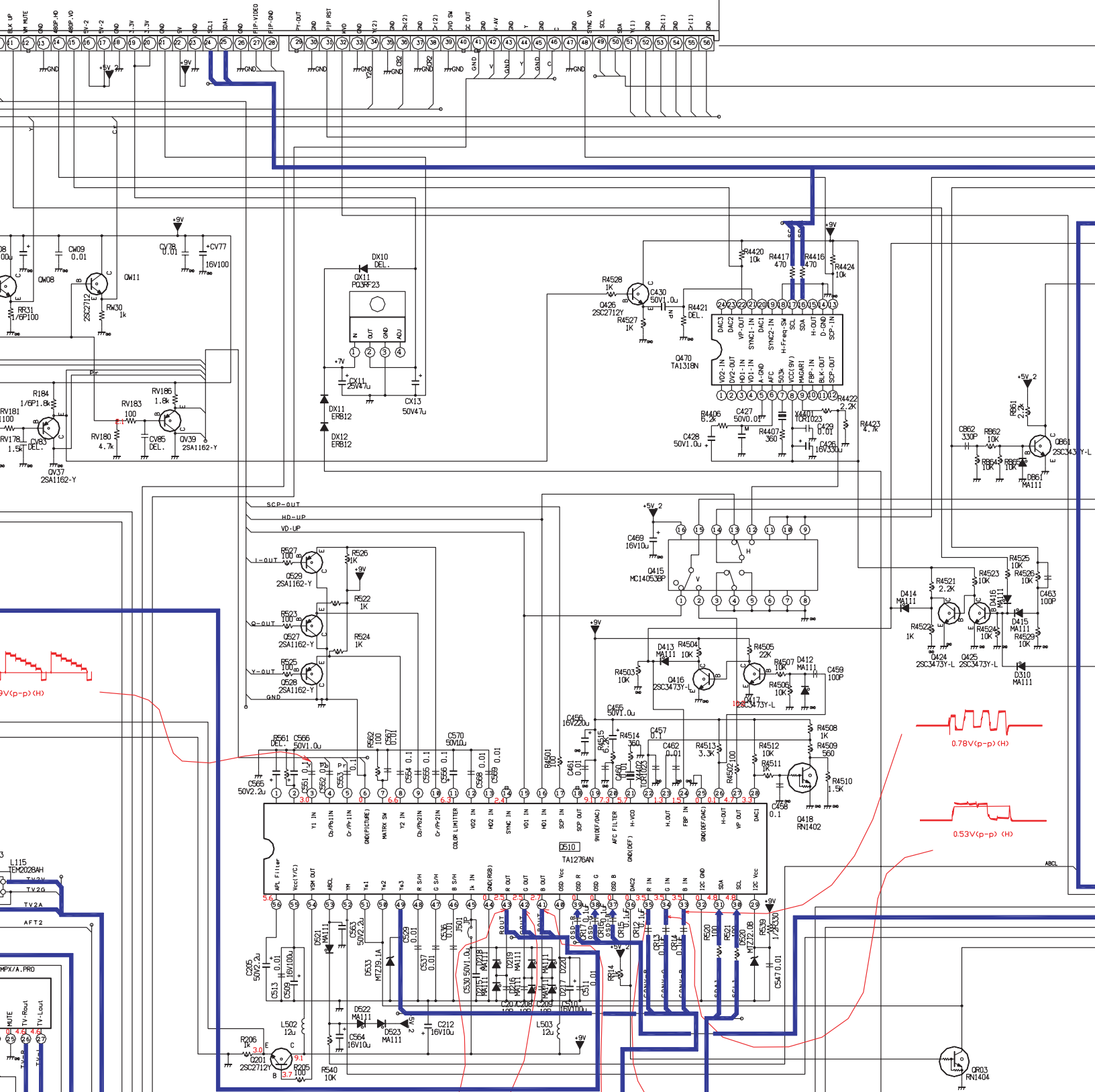
- 1. RESISTOR Resistance is shown in ohm [K = 1,000, M = 1,000,000]. All resistors are 1/6W and 5% tolerance carbon resistor, unless otherwise noted as the following marks.
1/2R = Metal or Metal oxide of 1/2 watt
1RF = Fuse resistor of 1 watt
K = ±10% G = ±2% F = ±1%
- 2. CAPACITOR Unless otherwise noted in schematic, all capacitor values less than 1 are expressed in μF, and the values more than 1 in pF.
All capacitors are ceramic 50V, unless otherwise noted as the following marks.
—|— Electrolytic capacitor —|— Mylar capacitor
- 3. The parts indicated with "△" have special characteristics, and should be replaced with identical parts only.

- 4. Voltages read with DIGITAL MULTI-METER from point indicated to chassis ground, using a color bar signal with all controls at normal, line voltage 120 volts.
- 5. Waveforms are taken receiving color bar signal with enough sensitivity.
- 6. Voltage reading shown are nominal values and may vary ±20% except H.V.



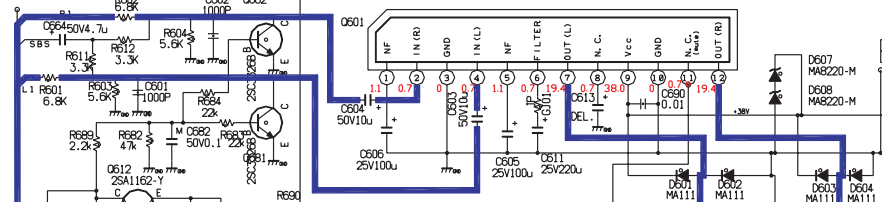
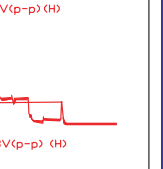
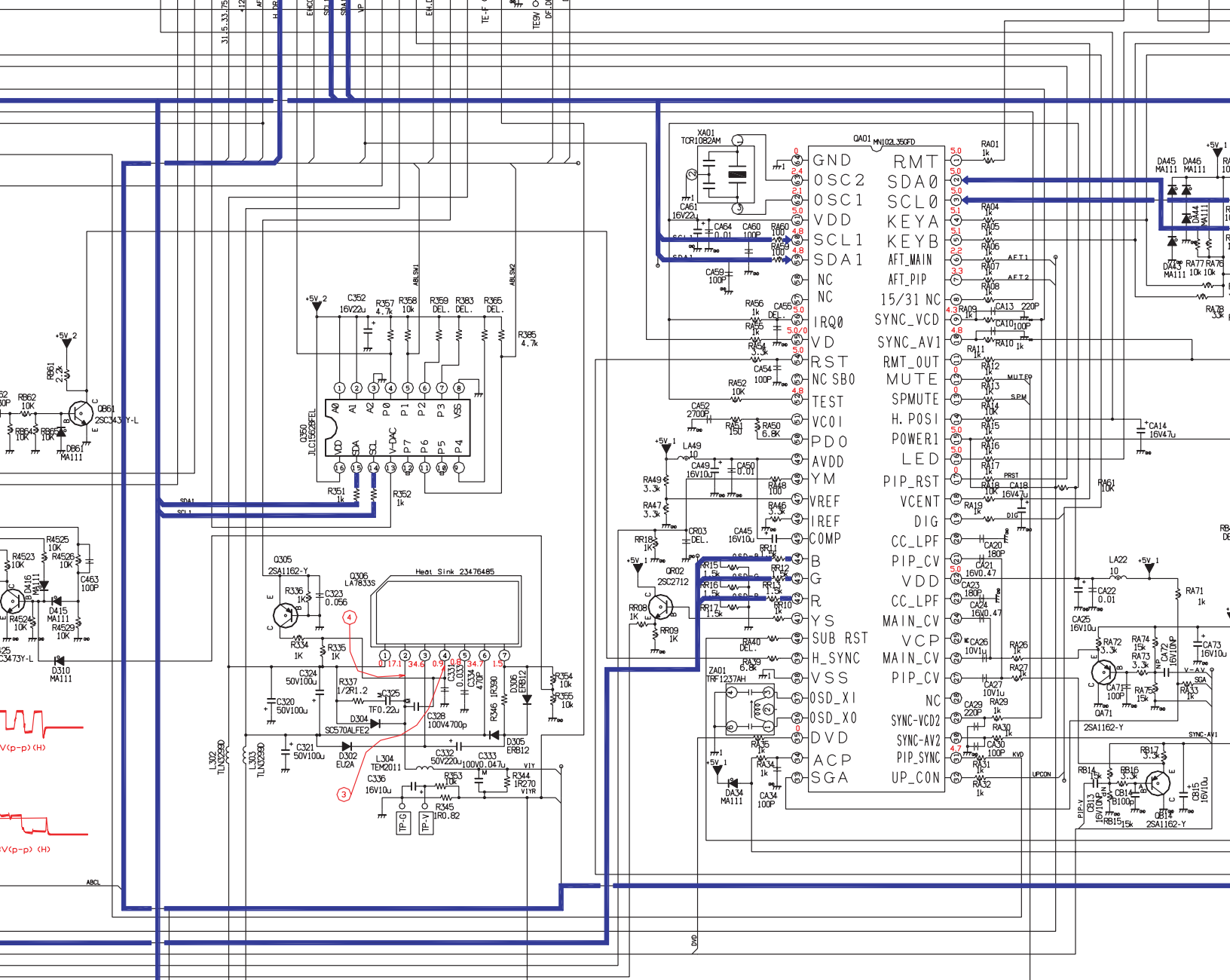
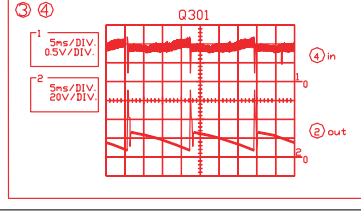


H Y P E R



D P C

- 1 H.POSI
- 2 HD
- 3 VD
- 4 V.DAC
- 5 31/33
- 6 +12V
- 7 AFC
- 8 H.DRIVE
- 9 F.H
- 10 EHOME
- 11 SCL1
- 12 SDA1
- 13 VP
- 14 FBP.IN
- 15 +15V
- 16 VCENT
- 17 EH.DET
- 18 VD
- 19 -15V
- 20 free run
- 21 GND
- 22 V1YR
- 23 +5V
- 24 DE.DRIVE
- 25 DFC
- 26 DFC



13

14

15

16

A

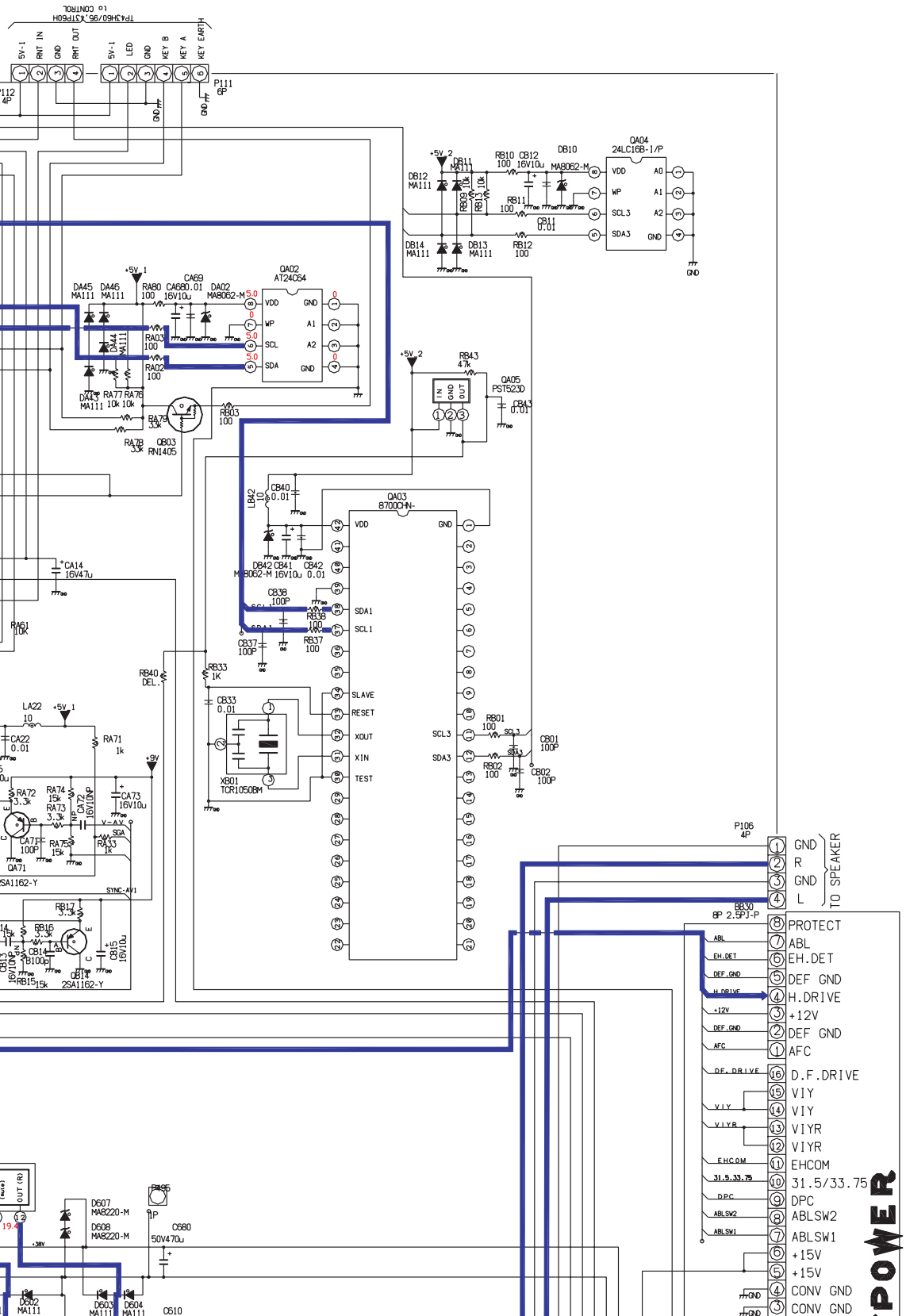
B

C

D

E

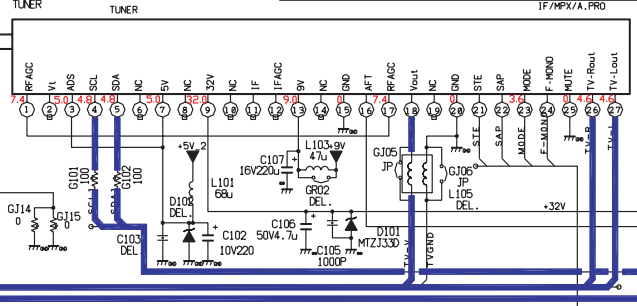
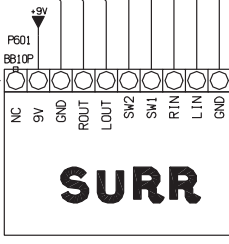
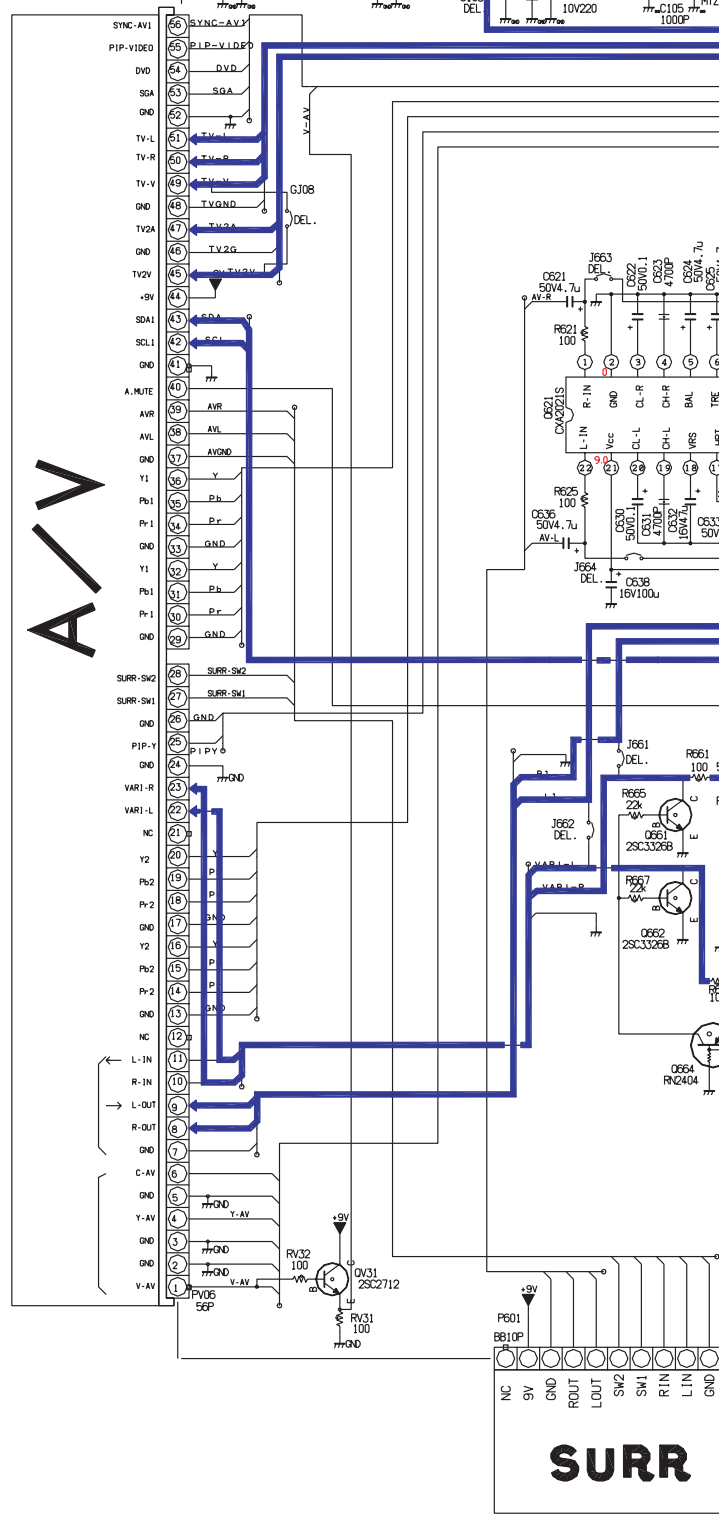
F



- | | |
|------------|------------|
| 1 | GND |
| 2 | R |
| 3 | GND |
| 4 | L |
| TO SPEAKER | |
| 5 | PROTECT |
| 6 | ABL |
| 7 | EH_DET |
| 8 | DEF_GND |
| 9 | H_DRIVE |
| 10 | +12V |
| 11 | DEF_GND |
| 12 | AFC |
| 13 | D.F_DRIVE |
| 14 | VIY |
| 15 | VIY |
| 16 | VIYR |
| 17 | VIYR |
| 18 | EHCOM |
| 19 | EHCOM |
| 20 | 31.5/33.75 |
| 21 | DPC |
| 22 | ABL_S2 |
| 23 | ABL_S1 |
| 24 | +15V |
| 25 | +15V |
| 26 | CONV_GND |
| 27 | CONV_GND |

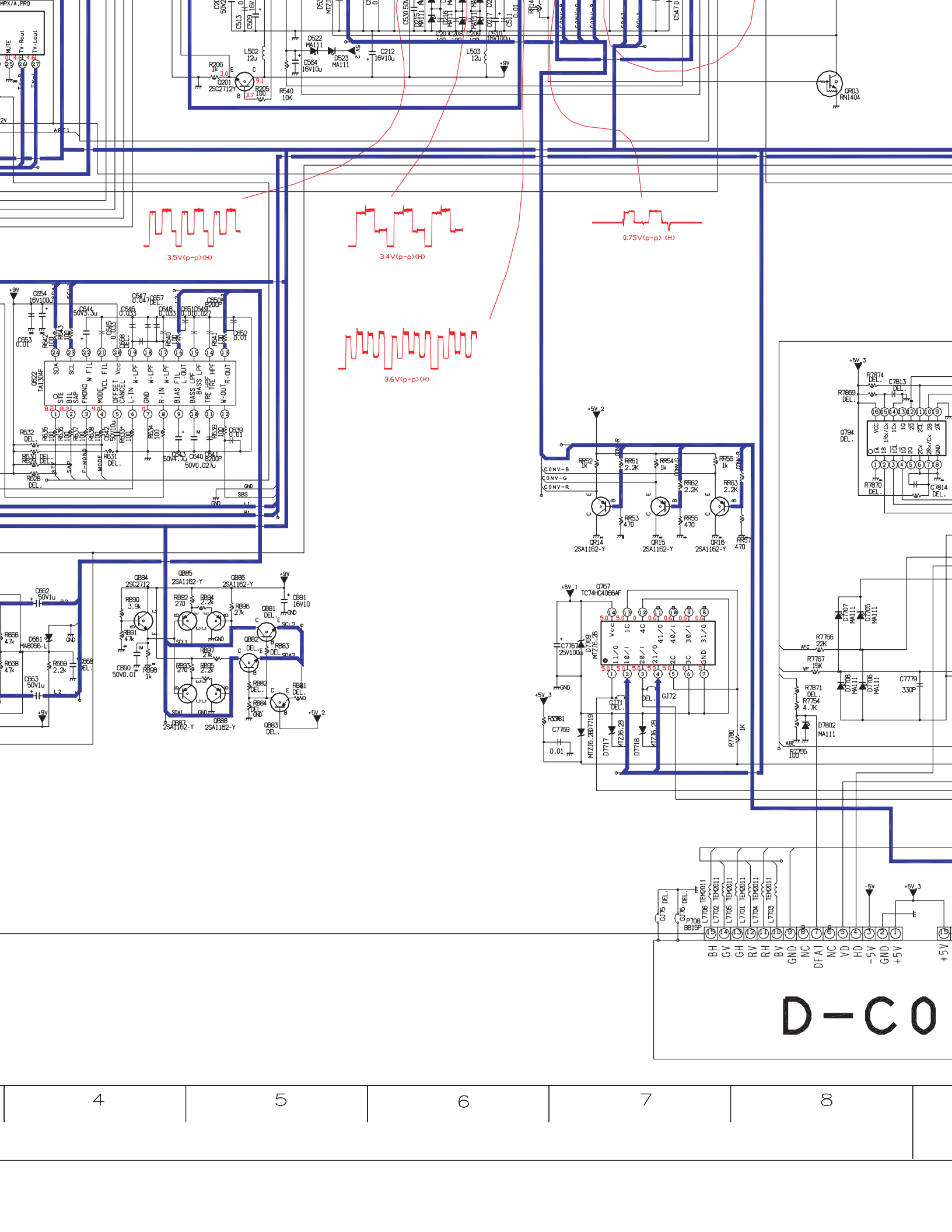
POWER

A/V



G
H
I
J
K
L

1 2 3 4



4

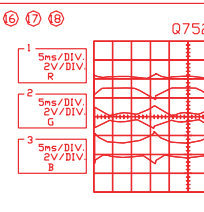
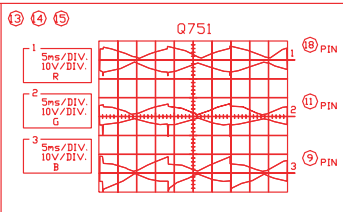
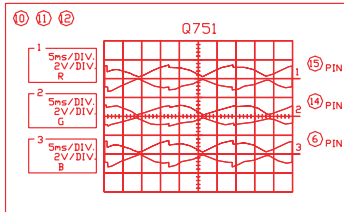
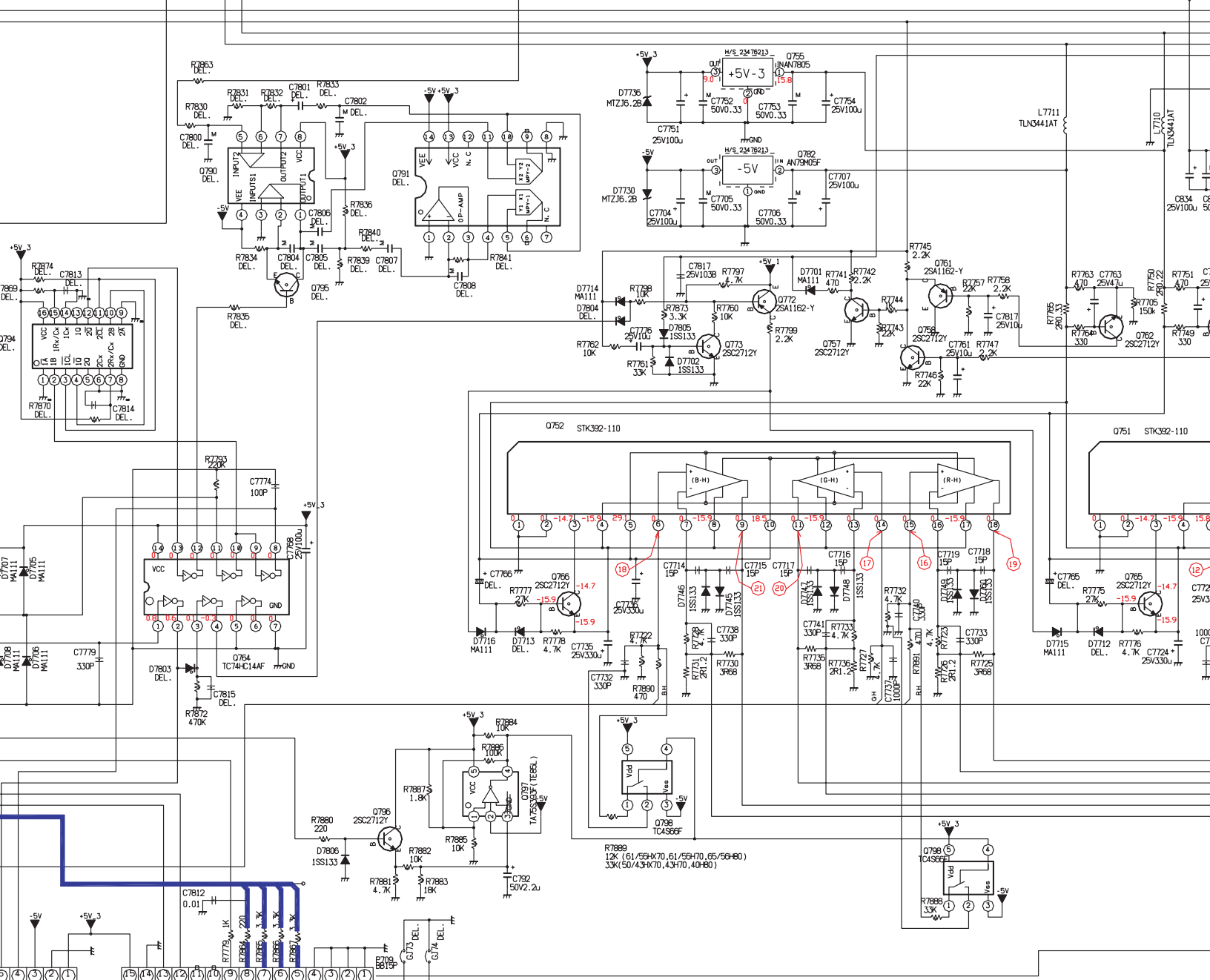
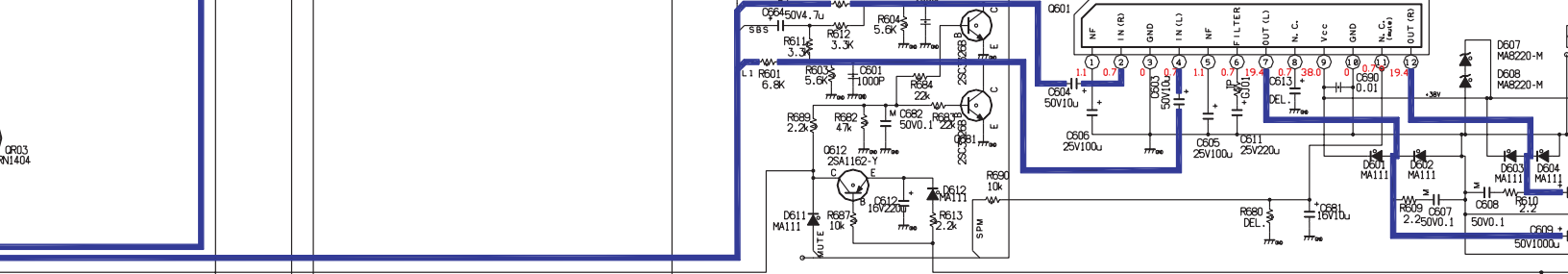
5

6

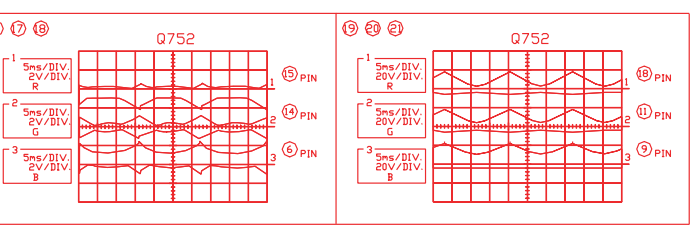
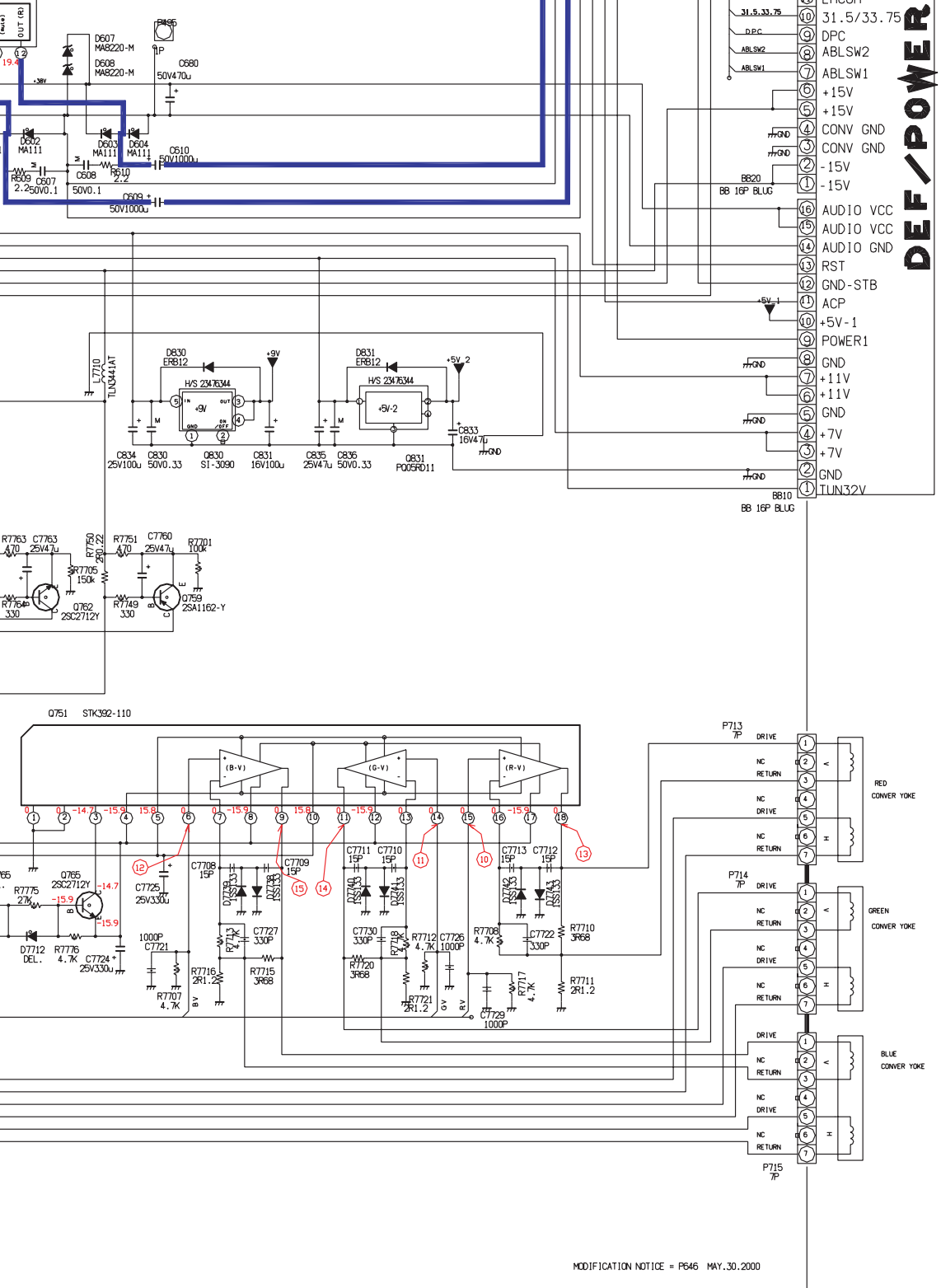
7

8

D-CO



- CONV



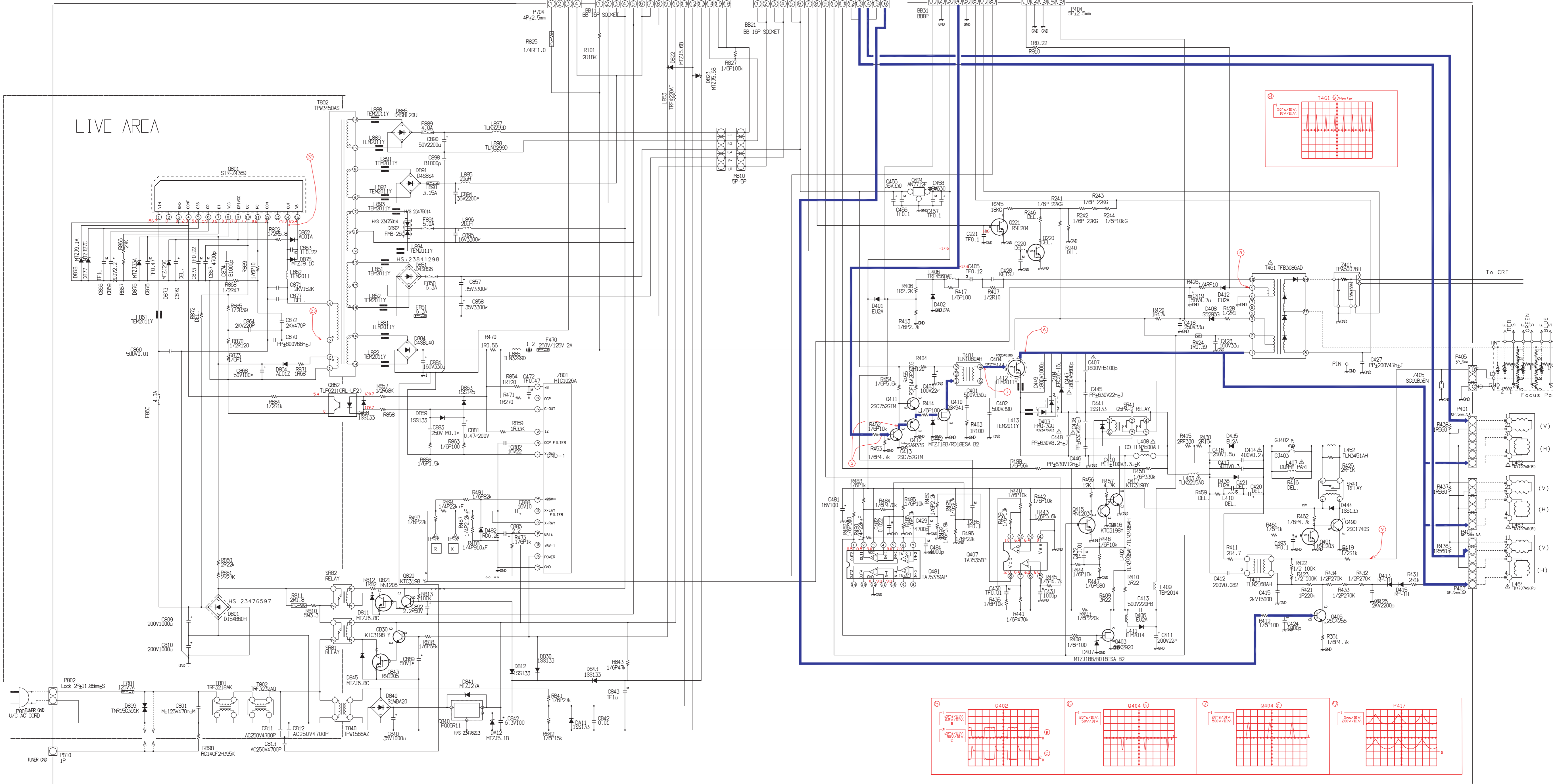
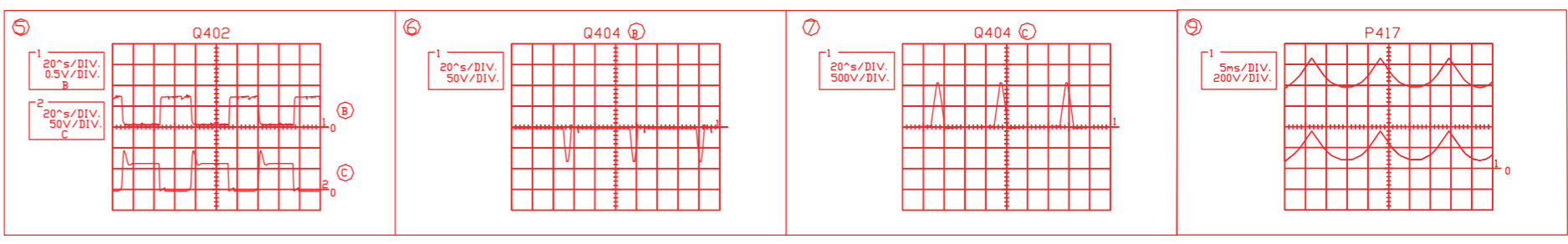
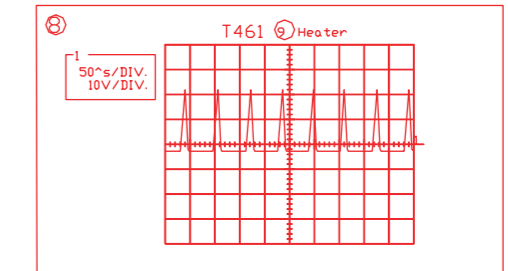
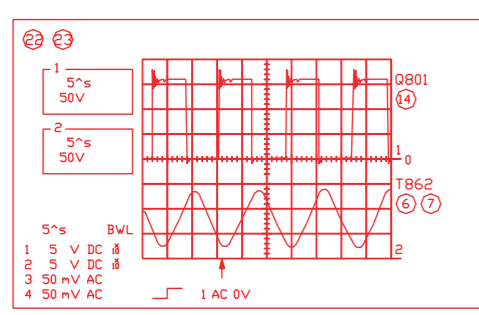
SIGNAL/CONV 43H70/43HX70

13

14

15

16



NOTE

1. RESISTOR Resistance is shown in ohm (Ω), $k = 1,000$, $M = 1,000,000$. All resistors are 5% and 5% tolerance carbon resistor unless otherwise noted in the following marks.
 1/2R | Metal or Metal oxide of 1/2 watt | 1/2S | Sil of 1/2 watt
 1R | Film resistor of 1 watt | 1R | Film resistor of 1 watt
 K = 20% G = 5% F = 1%

2. CAPACITOR Unless otherwise noted in schematic, all capacitor values less than 1 are expressed in pF, and the values more than 1 in μF . All capacitors are ceramic 50V, unless otherwise noted in the following marks.
 4E | Electrolytic capacitor | 4E | High capacitor

3. The parts indicated with * have special characteristics should be replaced with identical parts only.

4. This schematic diagram is the latest line of copying, so it must be changed in accordance with all infrared modification notes.

DEF/POW
43H70/43HX70

1

2

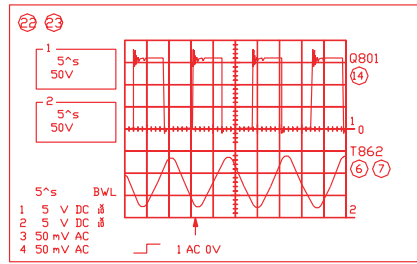
3

A

B

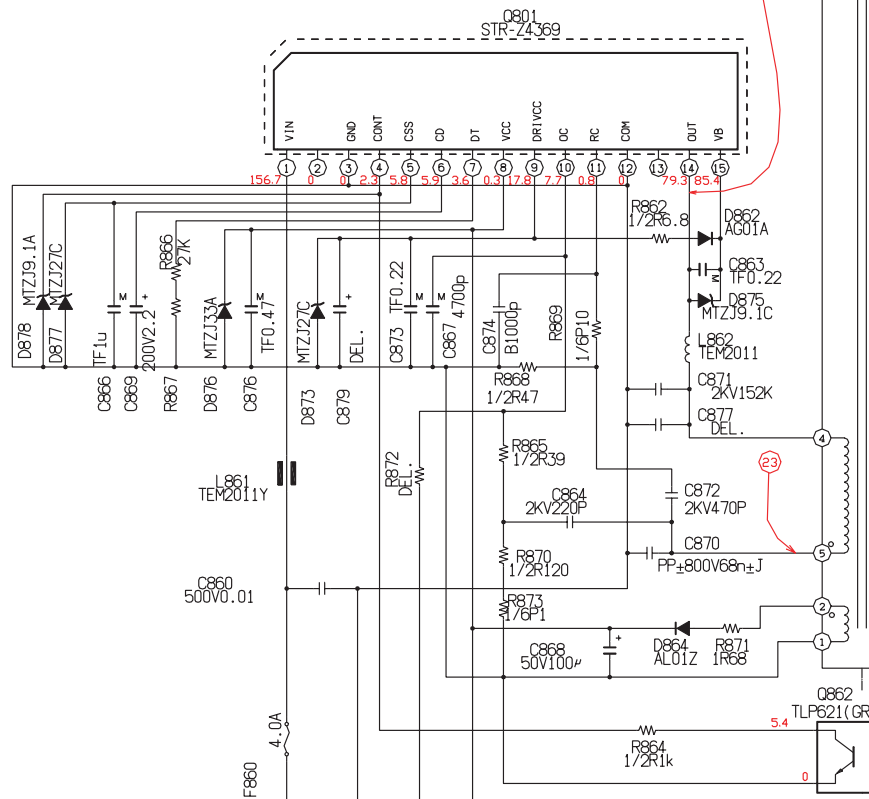
C

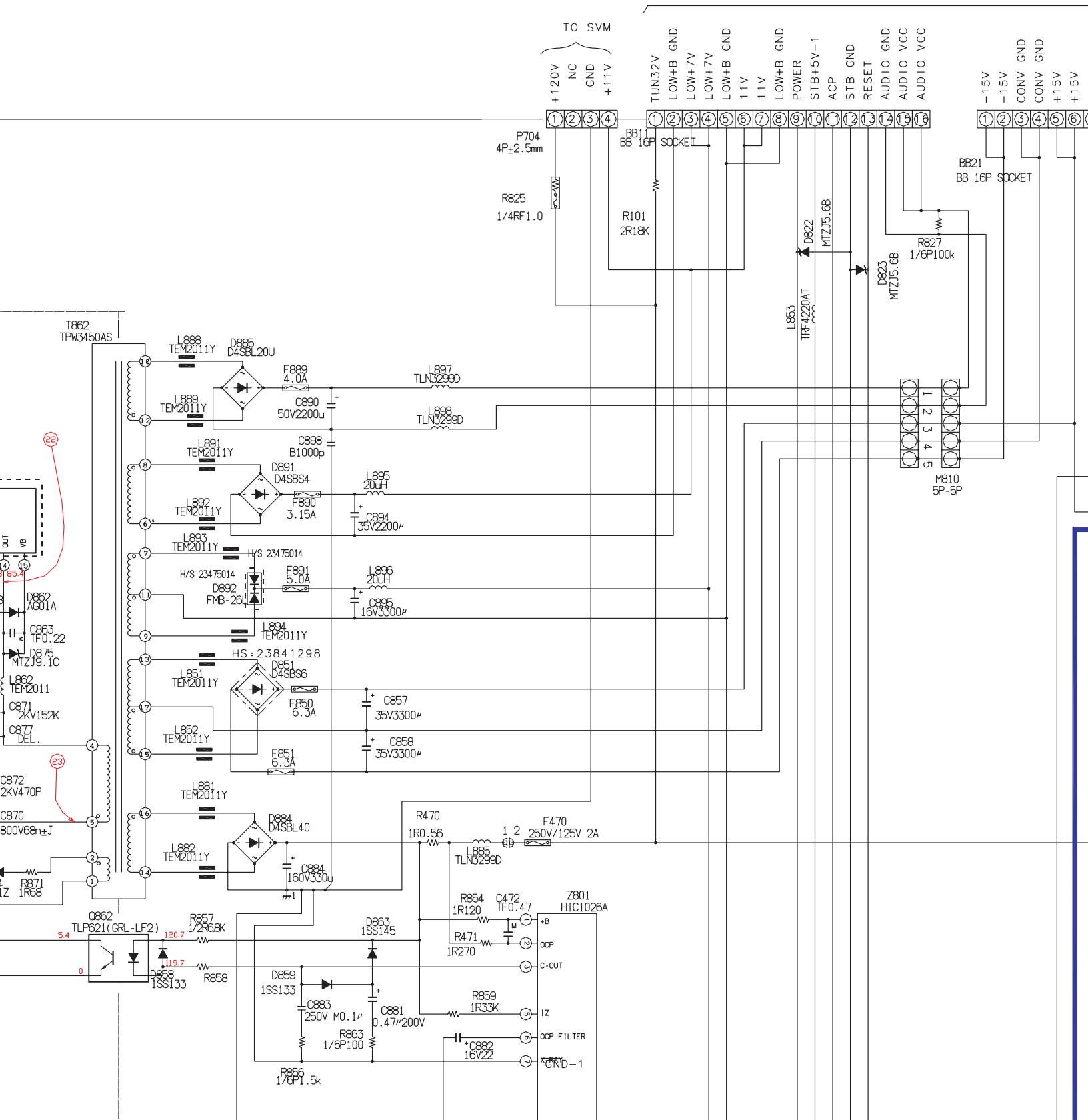
D

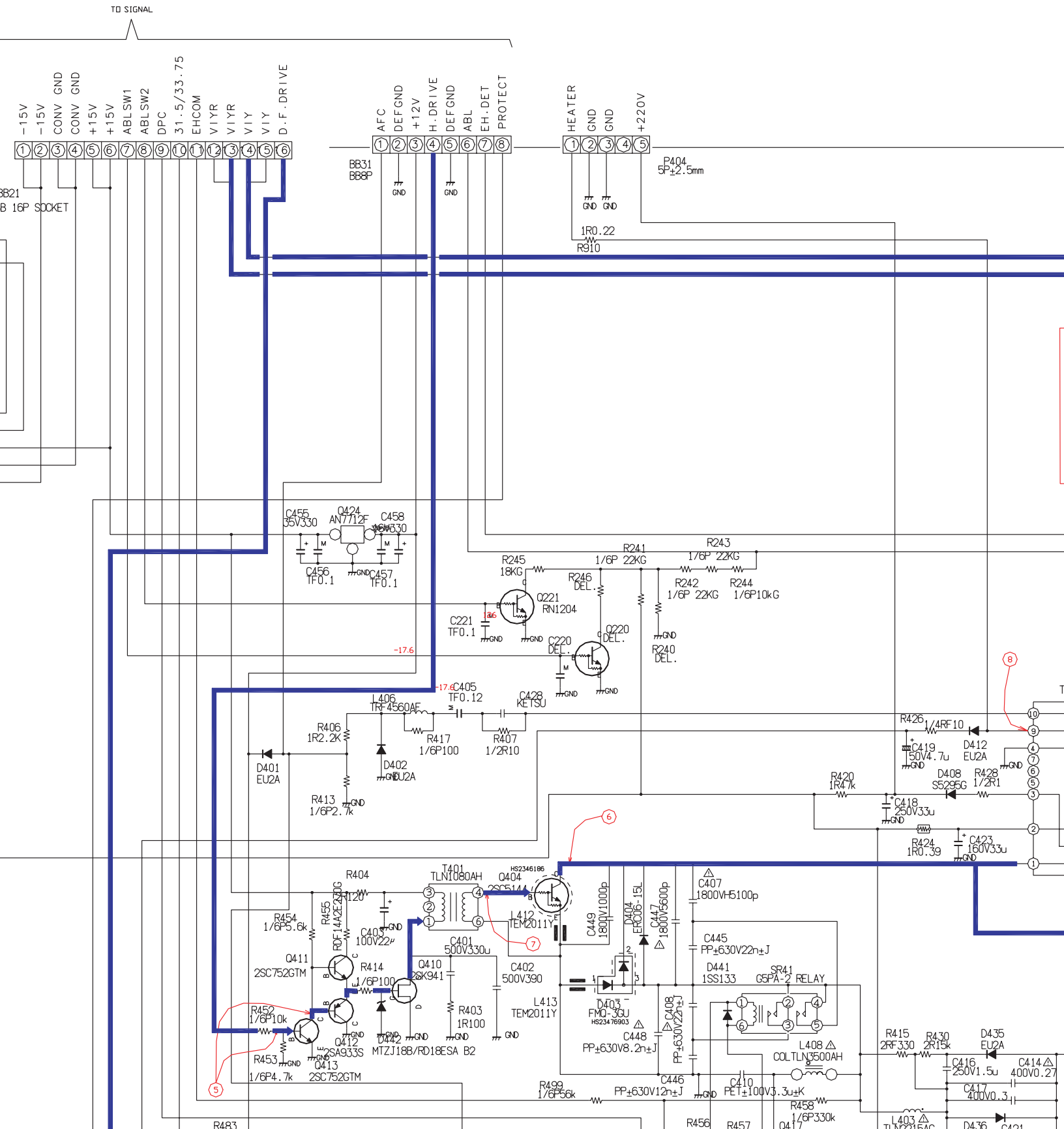


LIVE AREA

T862
TPW3450AS







10

11

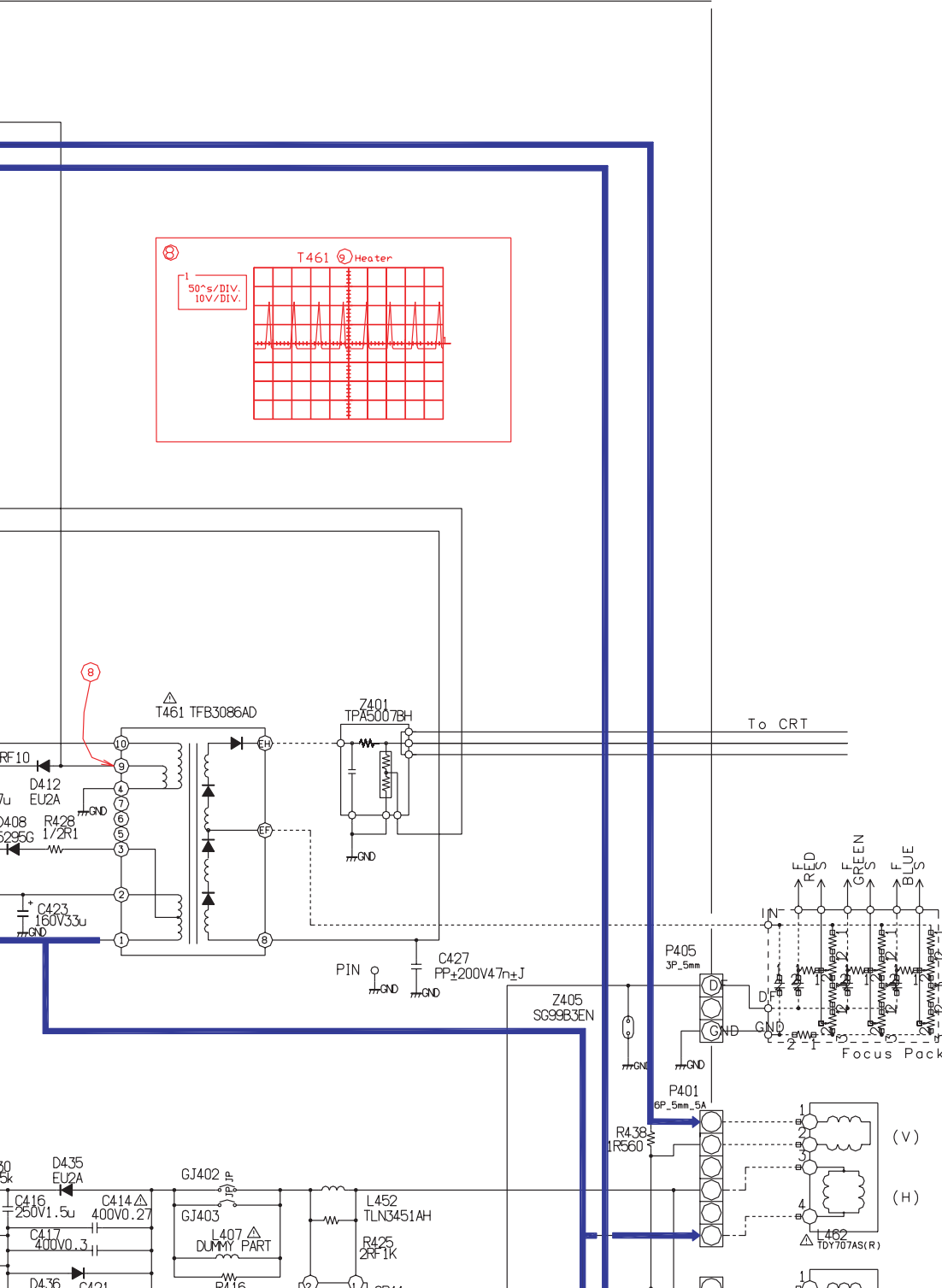
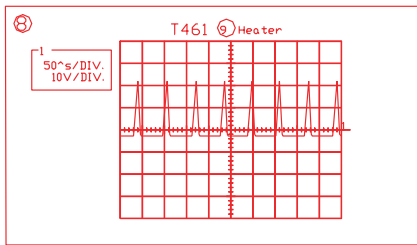
12

A

B

C

D

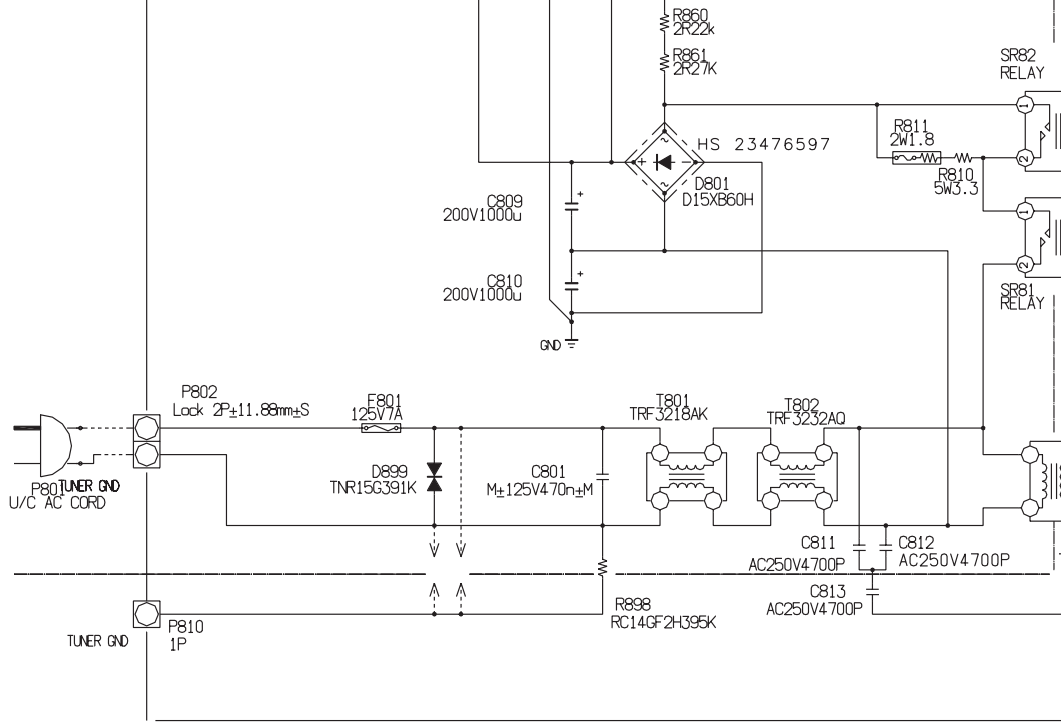


E

F

G

H



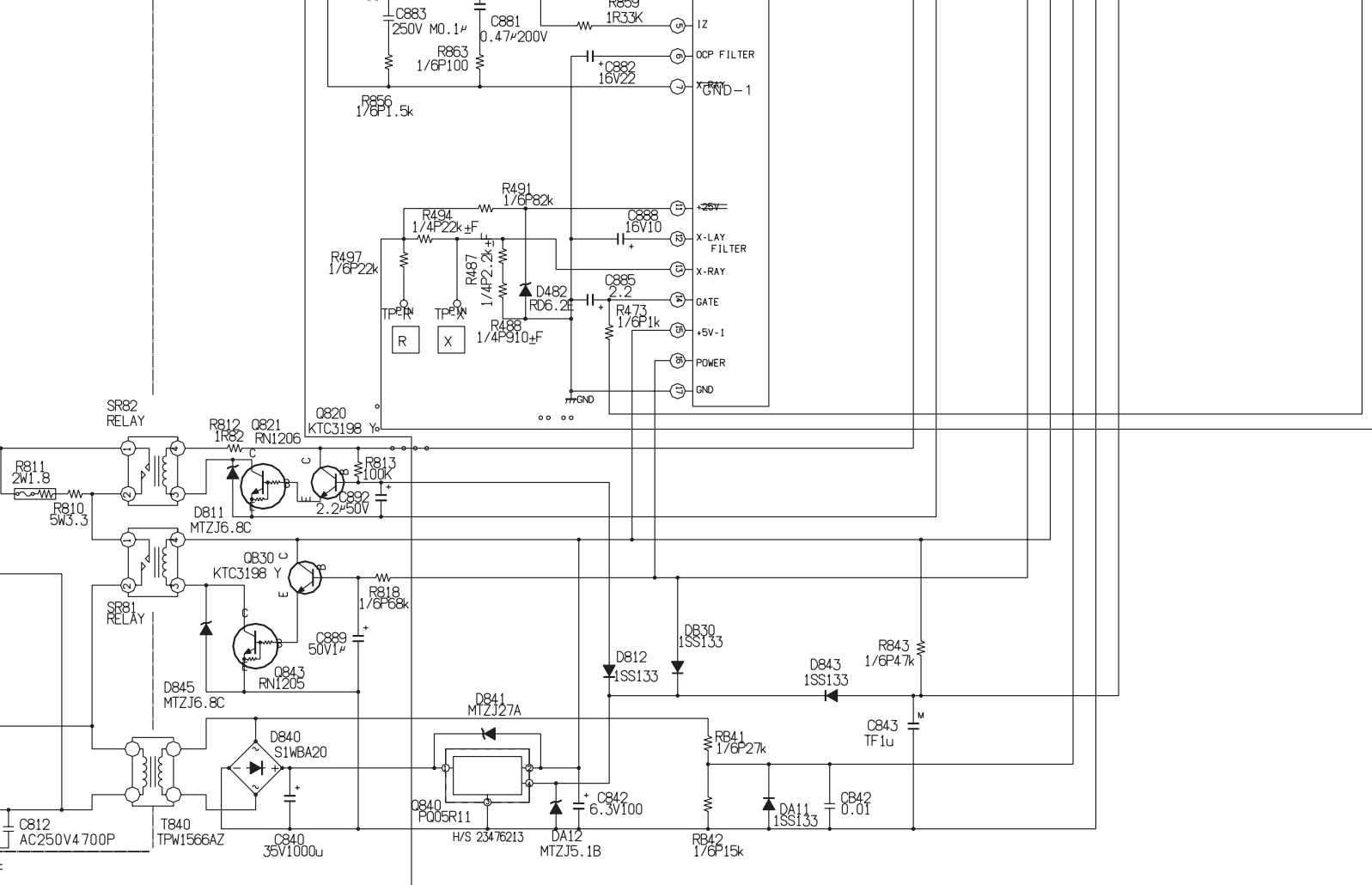
NOTE|

<p>1. RESISTOR</p> <p>Resistance is shown in ohm (k = 1,000, M = 1,000,000). All resistors are 1/6W and 5% tolerance carbon resistor, unless otherwise noted as the following marks.</p> <p>1/2R Metal or Metal oxide of 1/2 watt</p> <p>1R Fuse resistor of 1 watt</p> <p>K = ±10% G = 2% F = 1%</p>	<p>2. CAPACITOR</p> <p>3. The parts</p> <p>4. This scheme modification</p>
---	--

1

2

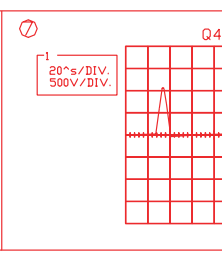
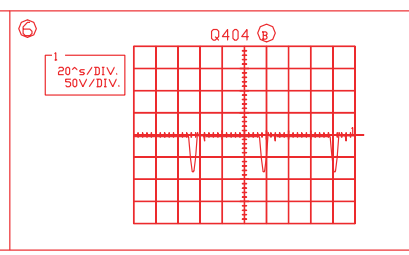
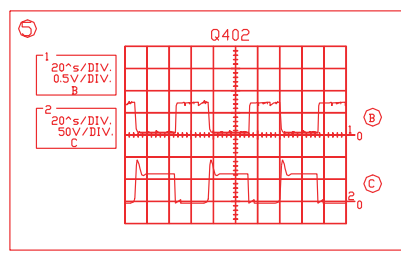
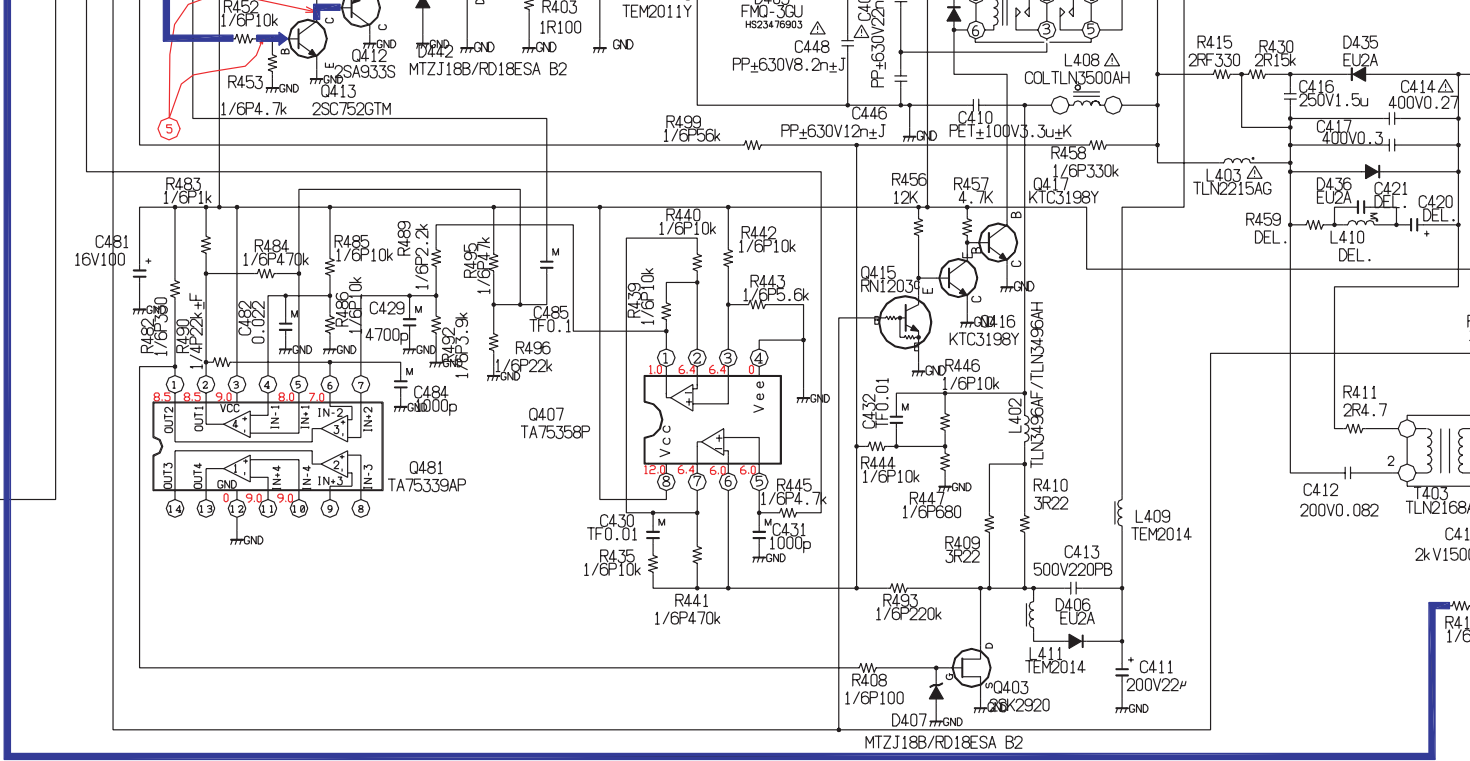
3

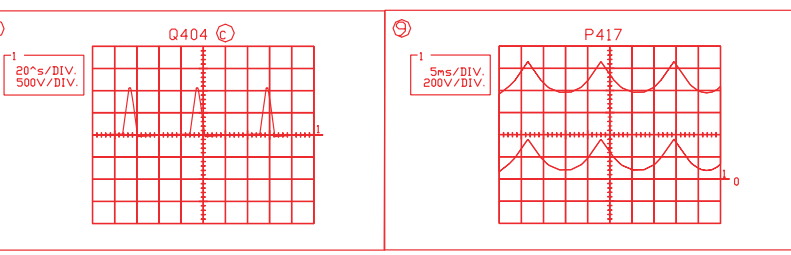
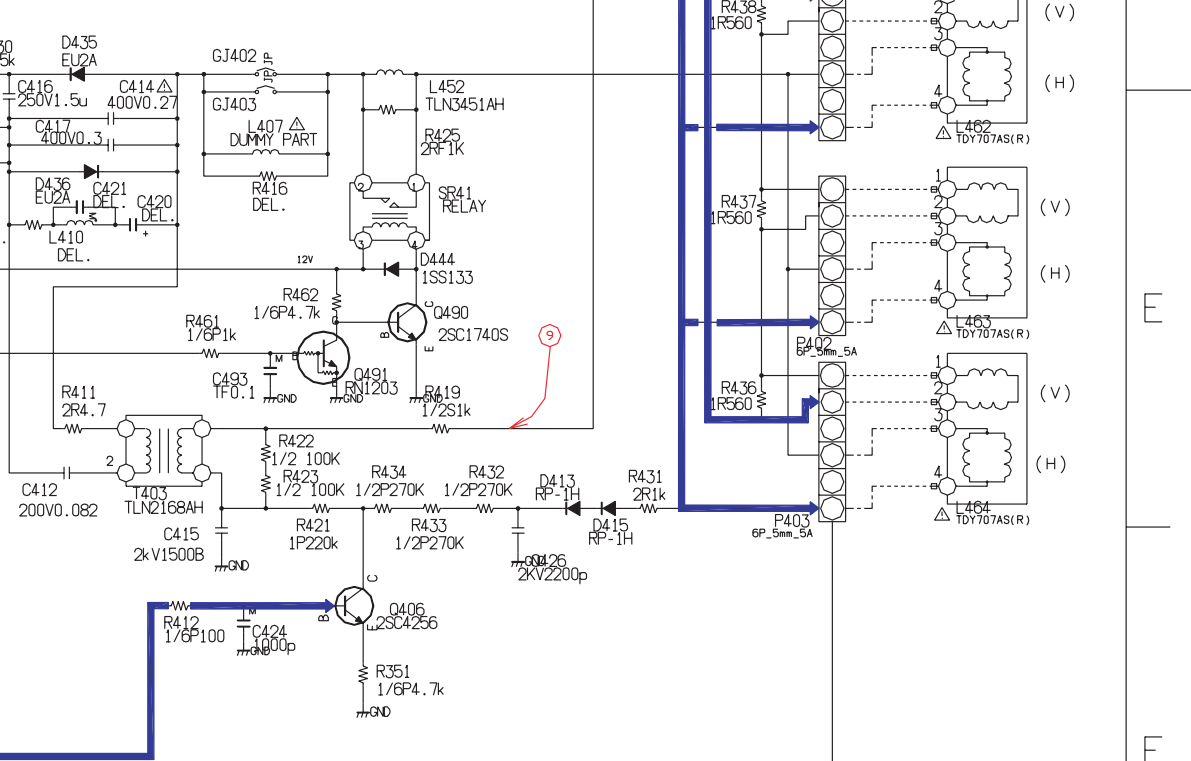


2. CAPACITOR Unless otherwise noted in schematic, all capacitor value less than 1 are expressed in μ F, and the values more than 1 in μ F.
All capacitors are ceramic 50V, unless otherwise noted as the following marks.

⏏ Electrolytic capacitor ⏏ Mylar capacitor

- The parts indicated with * have special characteristics should be replaced with identical parts only.
- This schematic diagram is the latest the time of copying, so it must be changed in accordance with all informed modification notices.

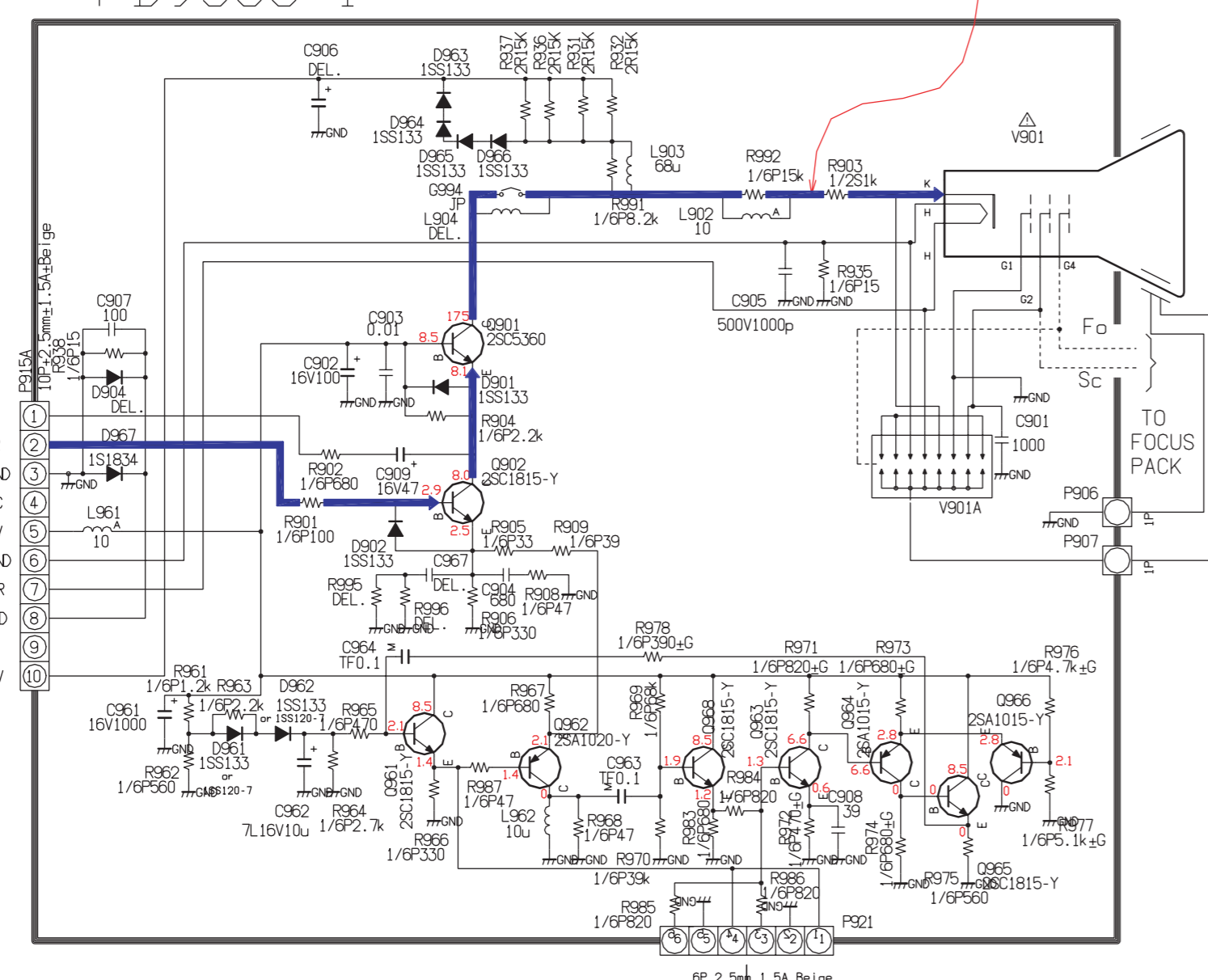




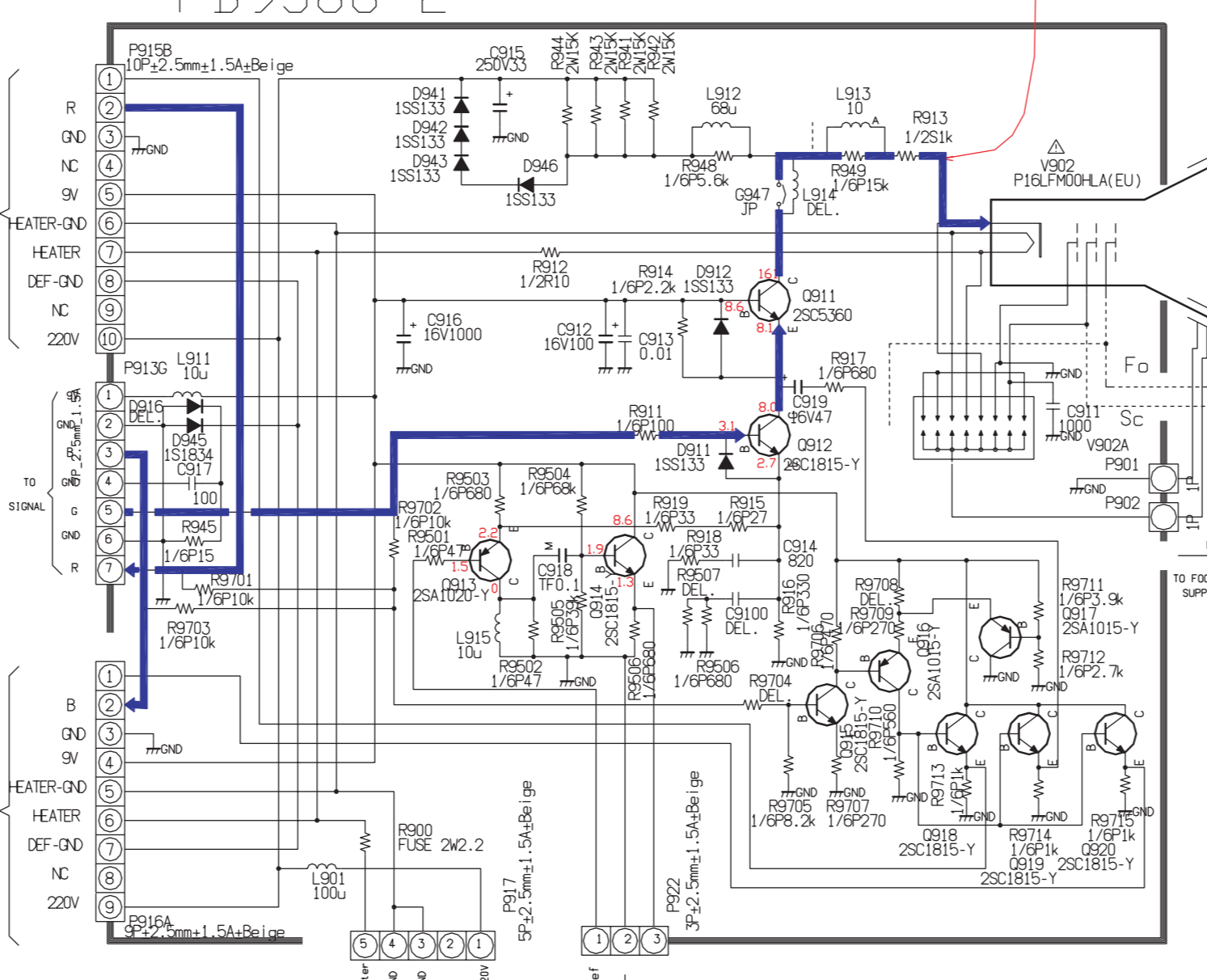
DEF/POW
 43H70/43HX70

10 | 11 | 12

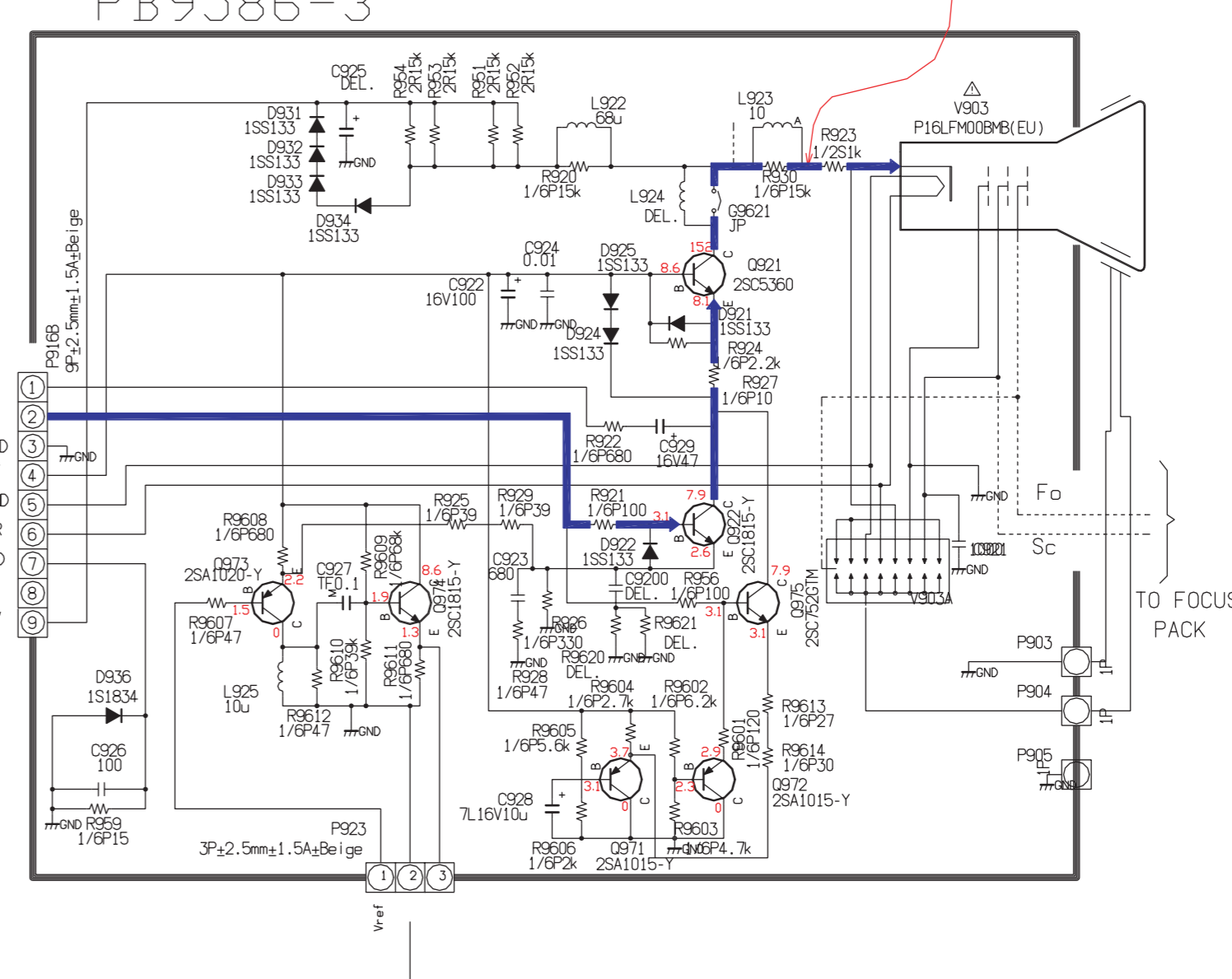
CRT-D/R
PB9586-1



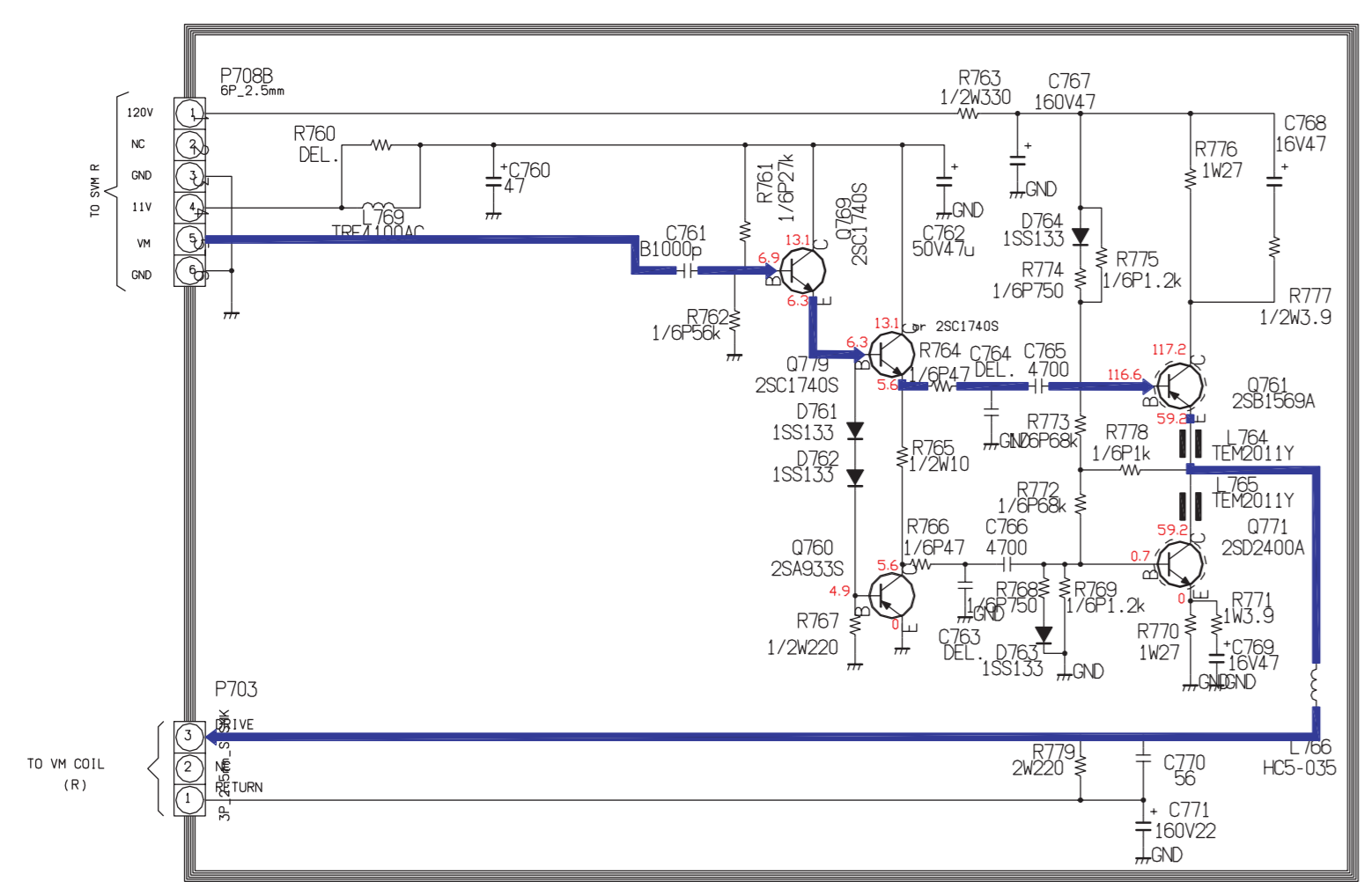
CRT-D/G
PB9586-2



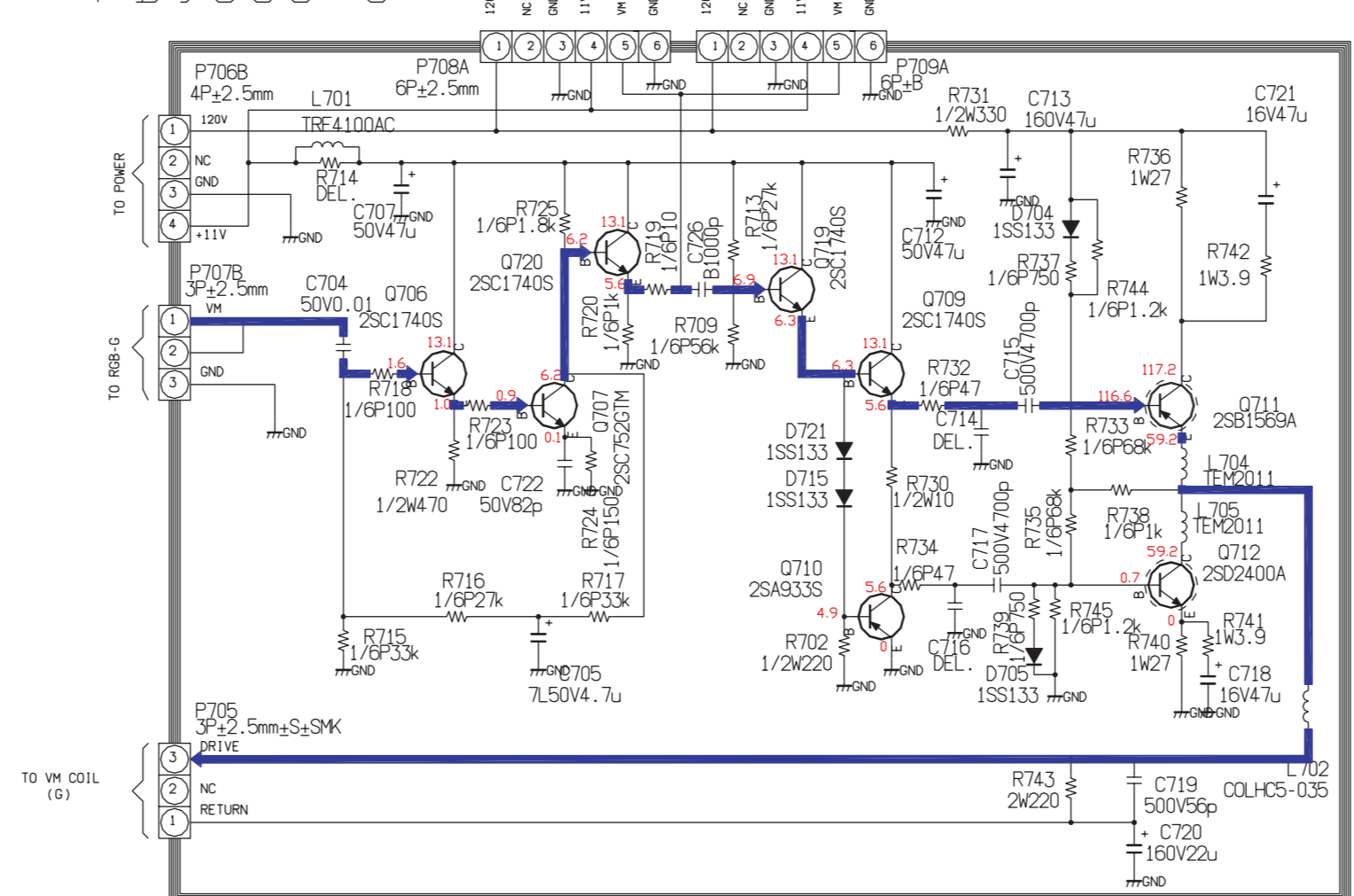
CRT-D/B
PB9586-3



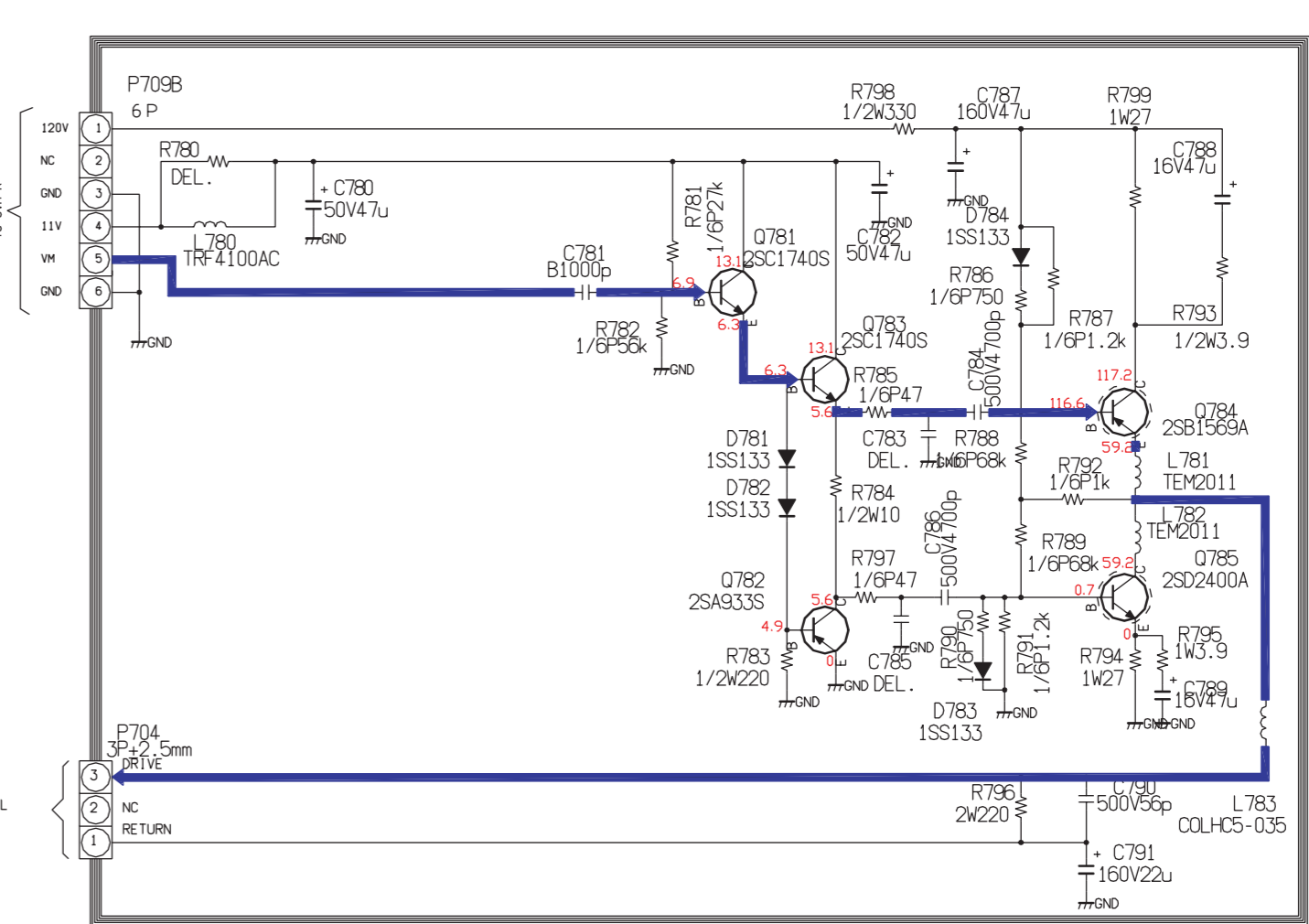
SVM/R
PB9586-4



SVM/G
PB9586-5



SVM/B
PB9586-6



CRT/SVM
43H70/43HX70

1

2

3

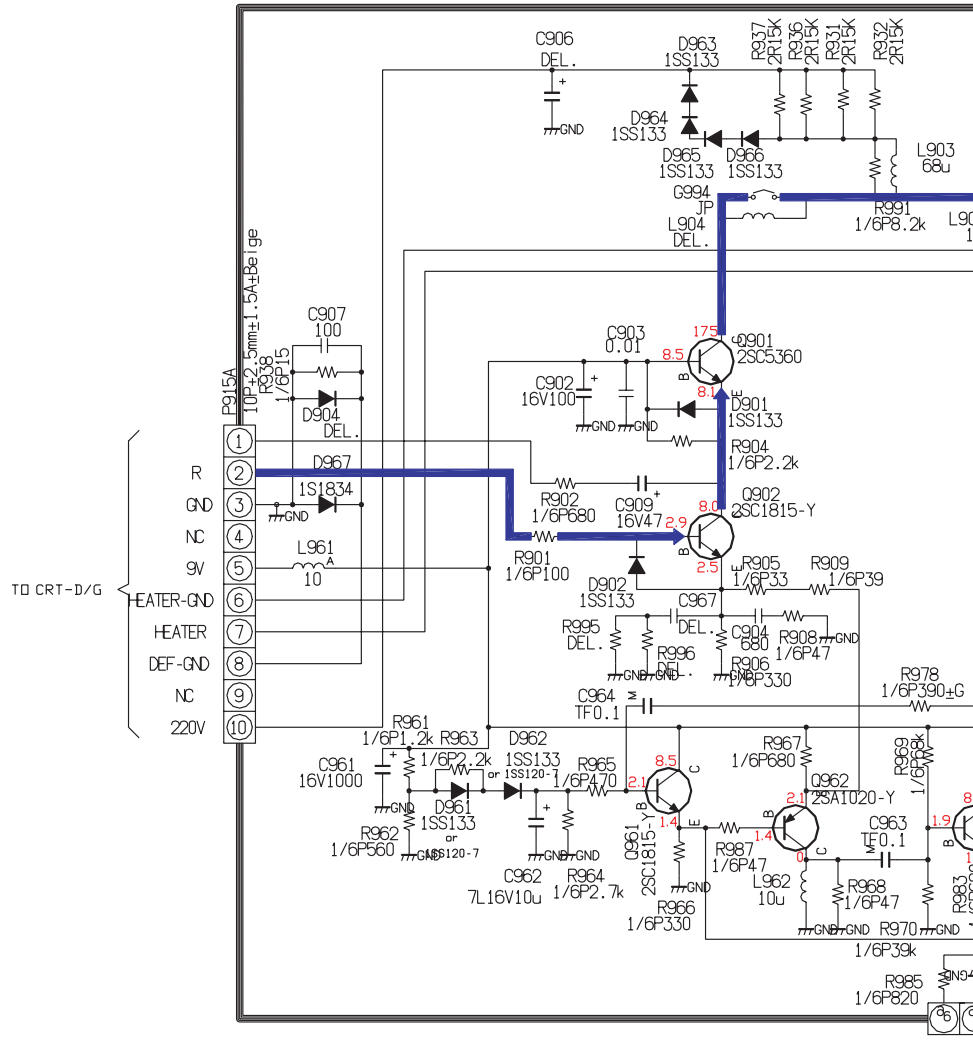
A

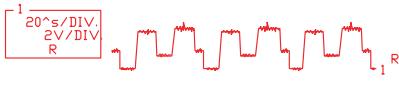
B

C

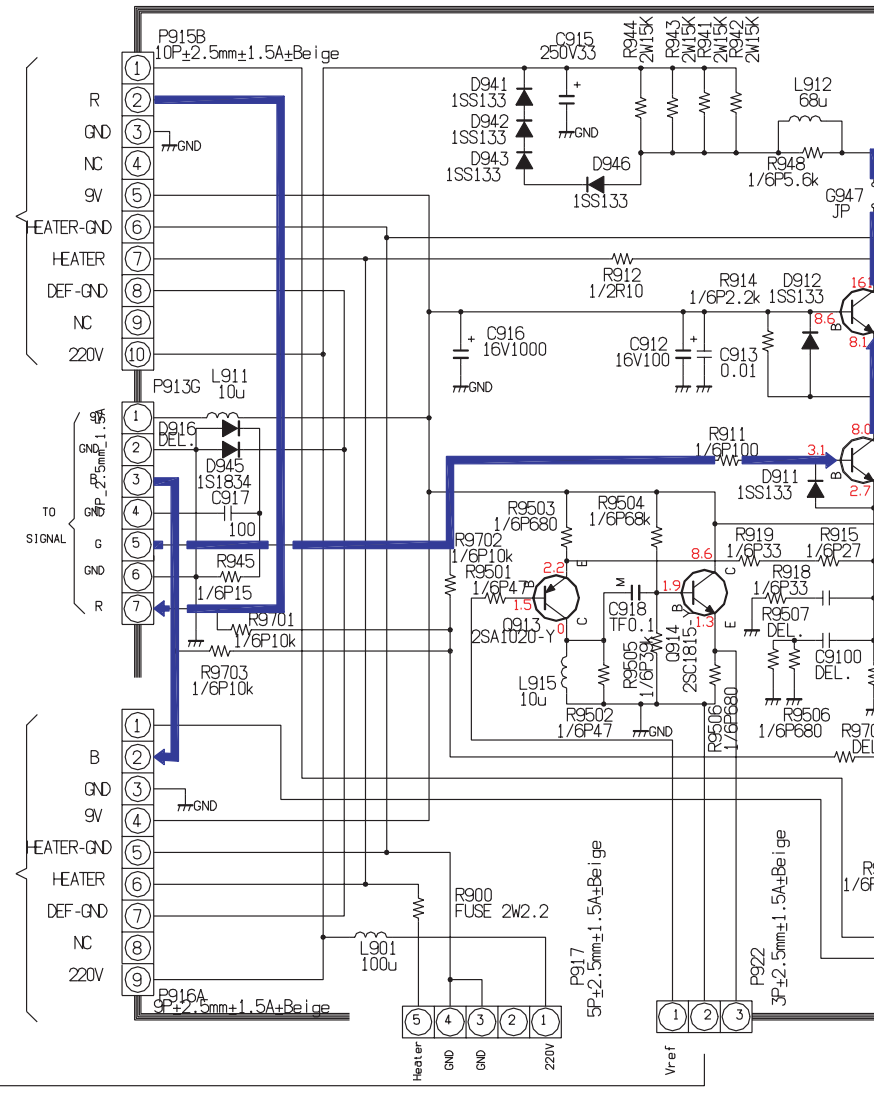
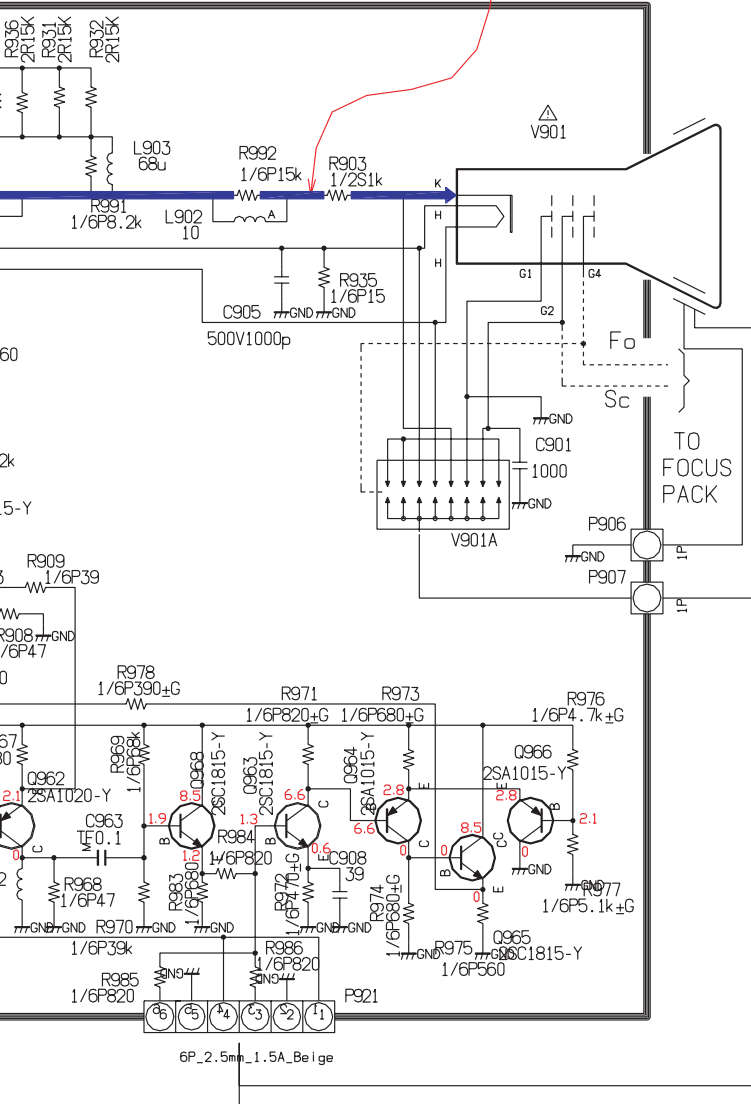
D

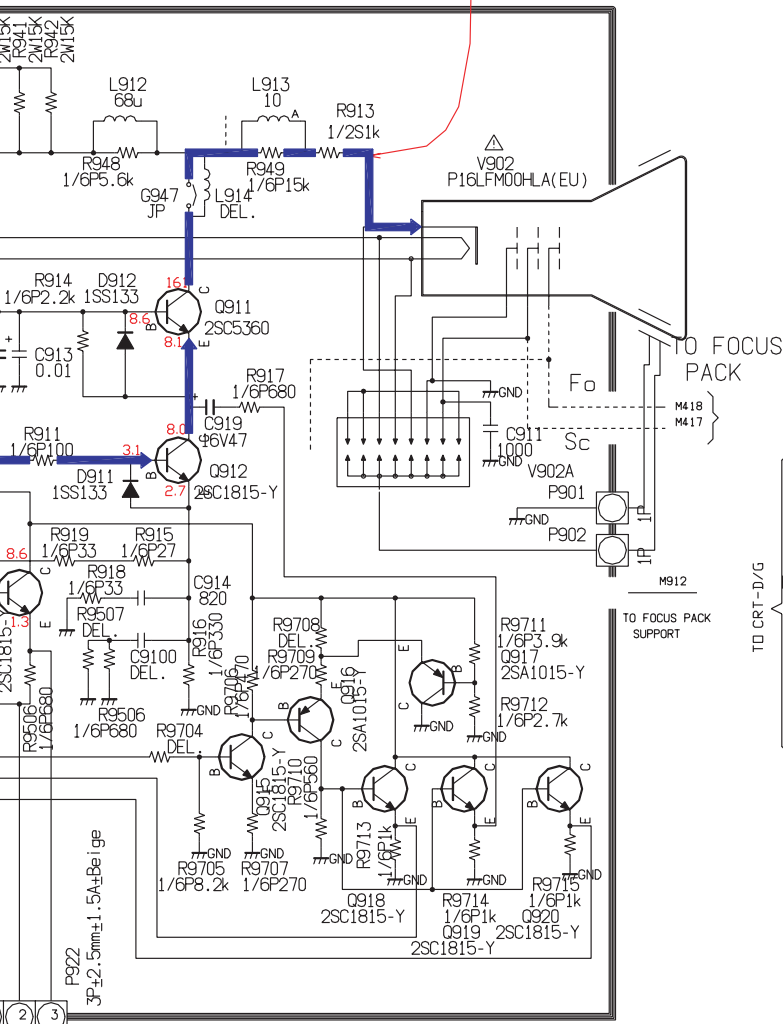
CRT-D/R PB9586-1



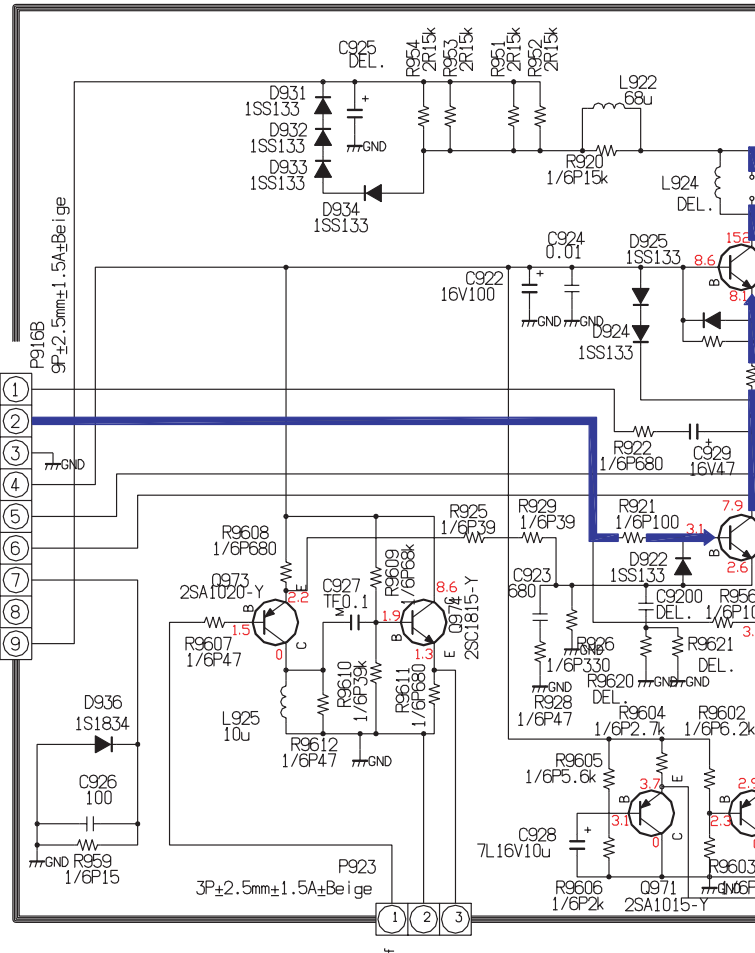


CRT-D/G PB9586-2





CRT-D/B PB9586-3



TO FOCUS PACK
Fo
M418
M417
Sc
V902A
P901
P902
M912
TO FOCUS PACK SUPPORT

- 1 B
- 2 GND
- 3 9V
- 4 HEATER-GND
- 5 HEATER
- 6 DEF-GND
- 7 NC
- 8 220V
- 9

Vref

10

11

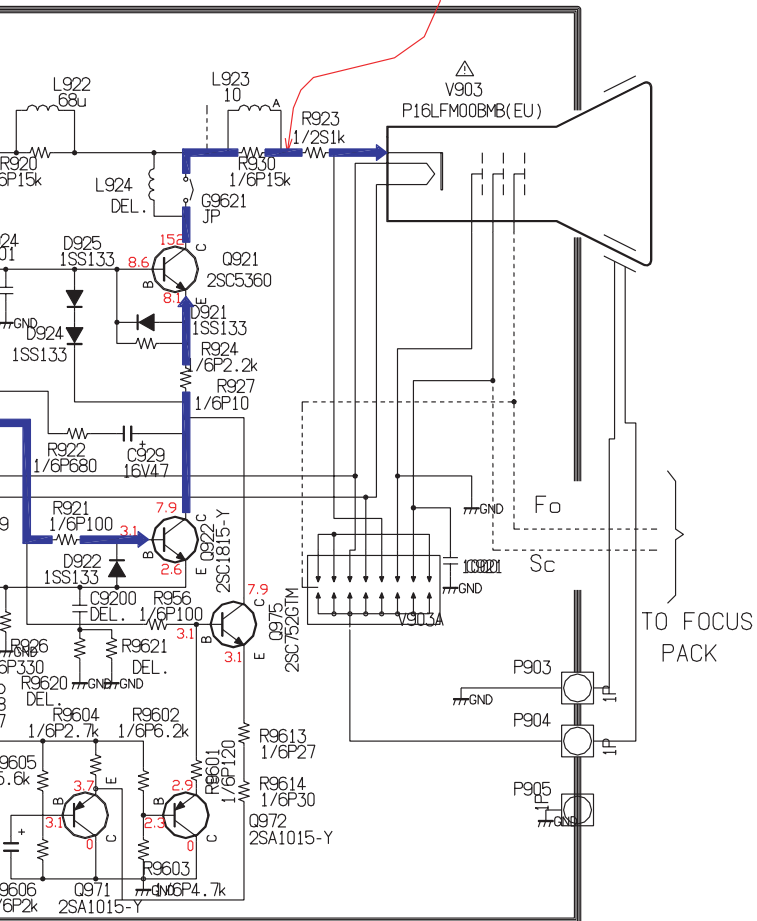
12

A

B

C

D



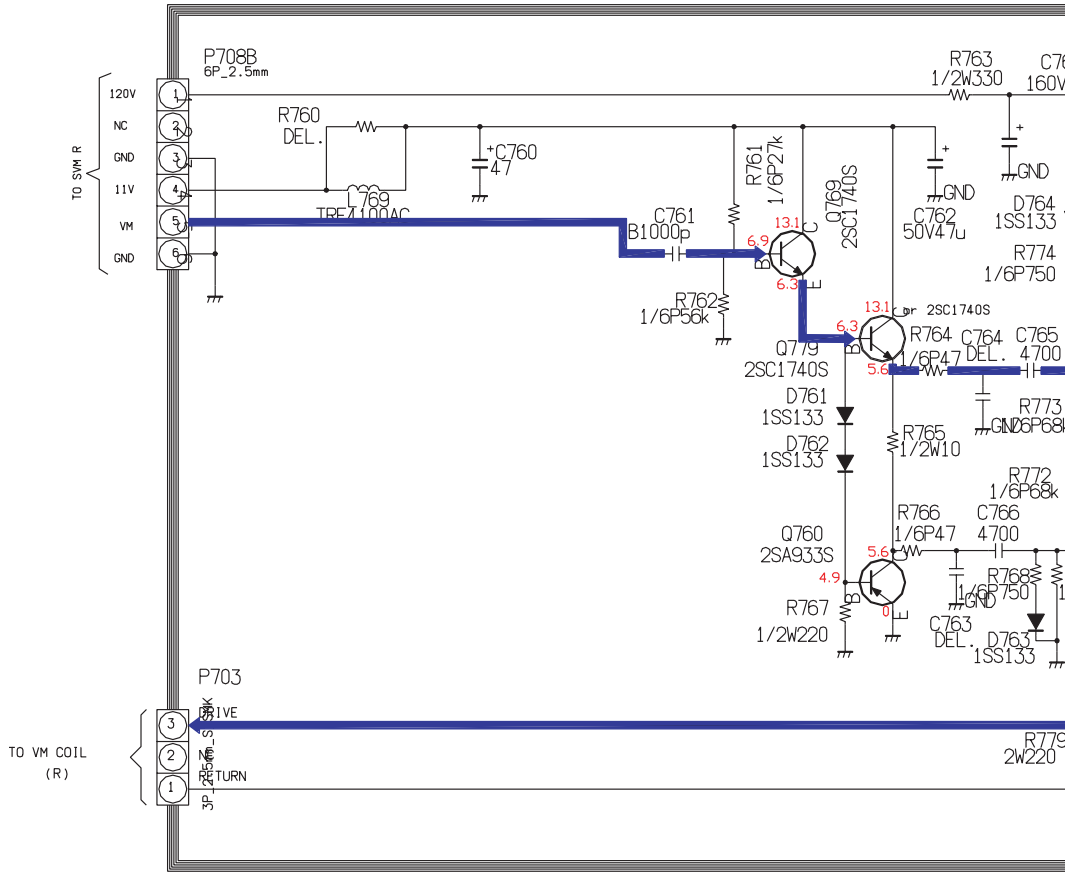
E

SVM/R PB9586-4

F

G

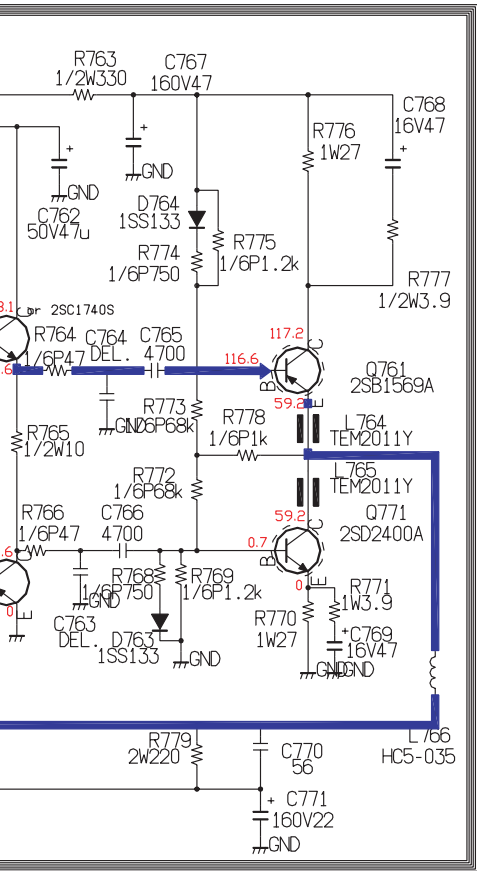
H



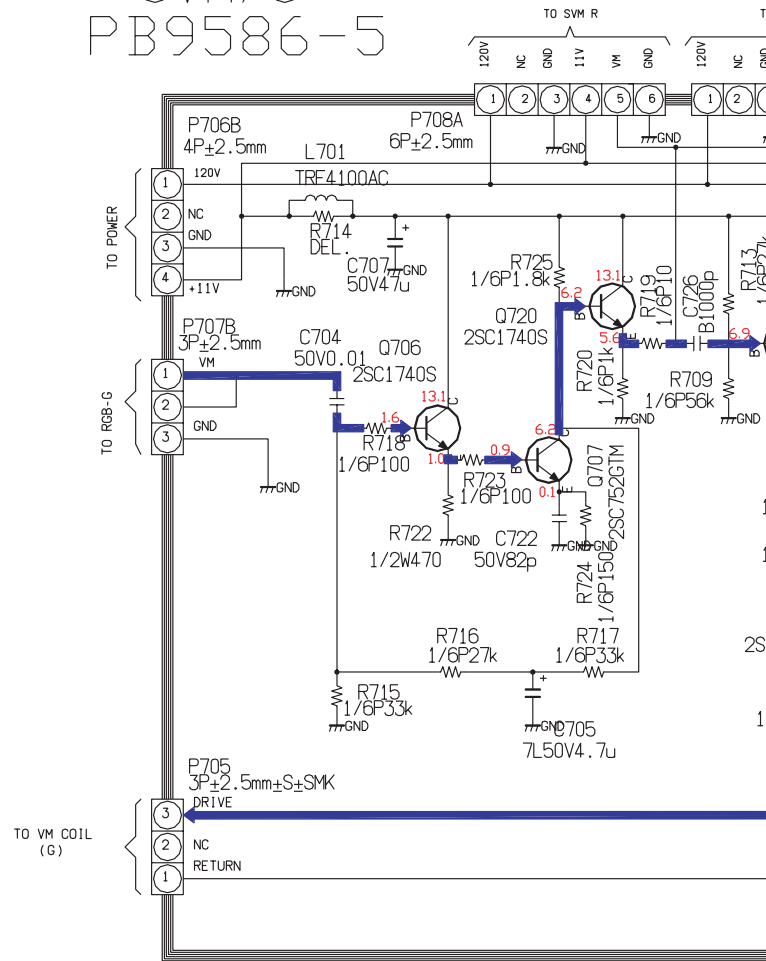
1

2

3



SVM/G PB9586-5



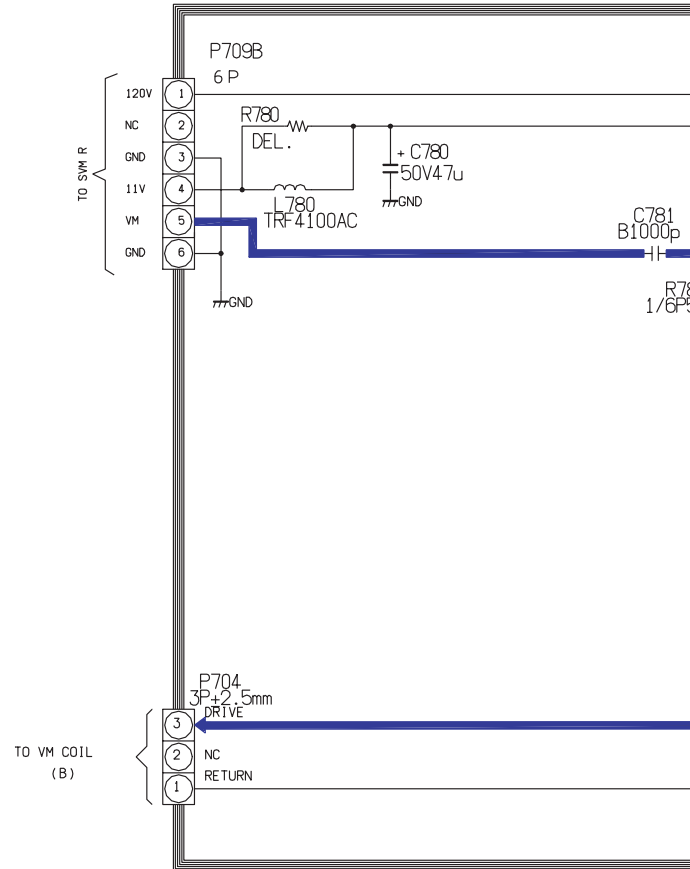
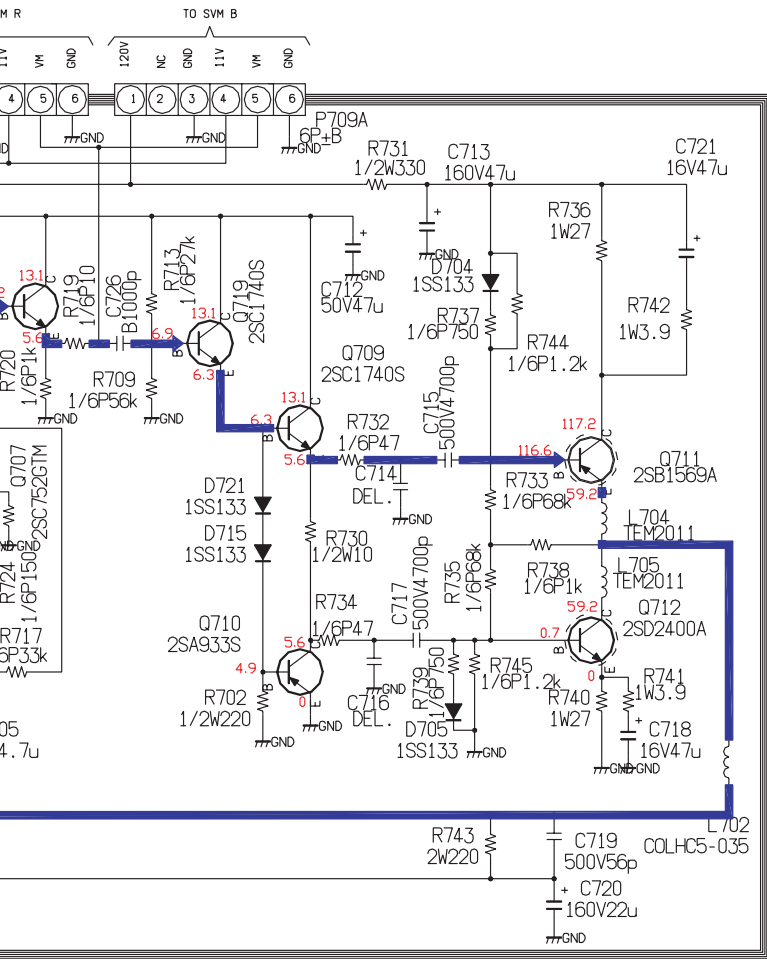
3

4

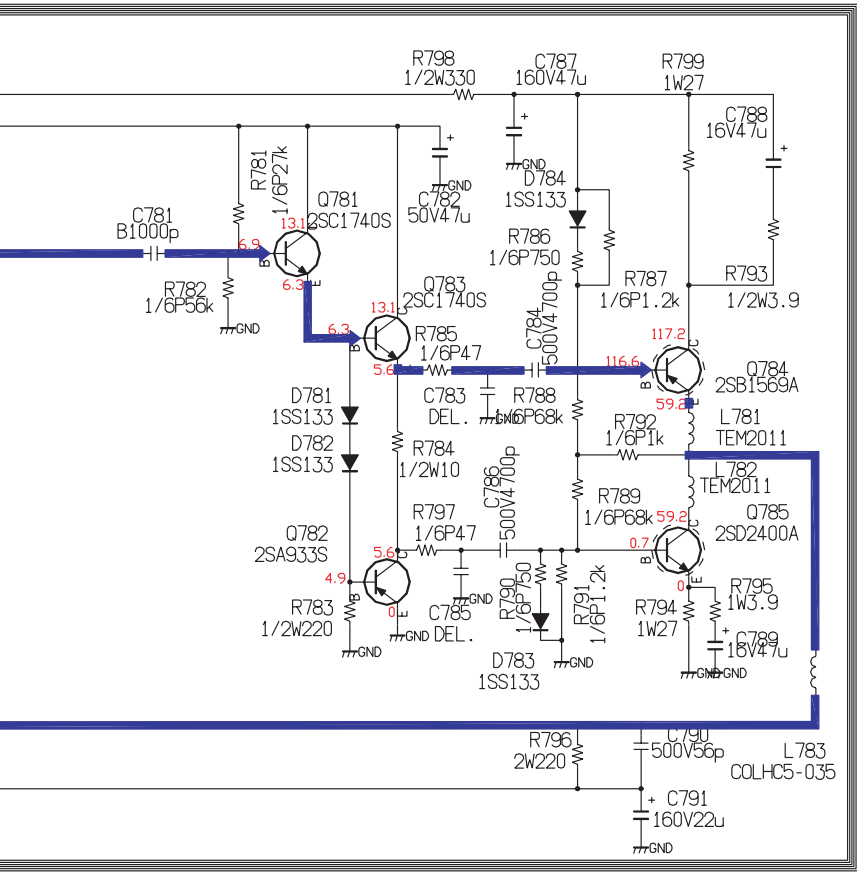
5

6

SVM/B PB9586-6



S



E

F

G

H

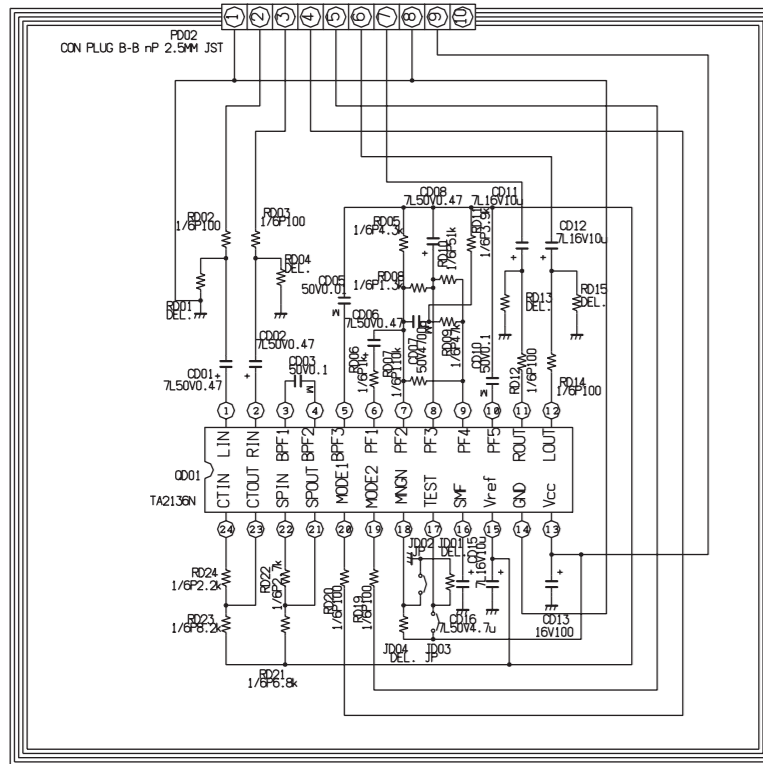
CRT/SVM
43H70/43HX70

10

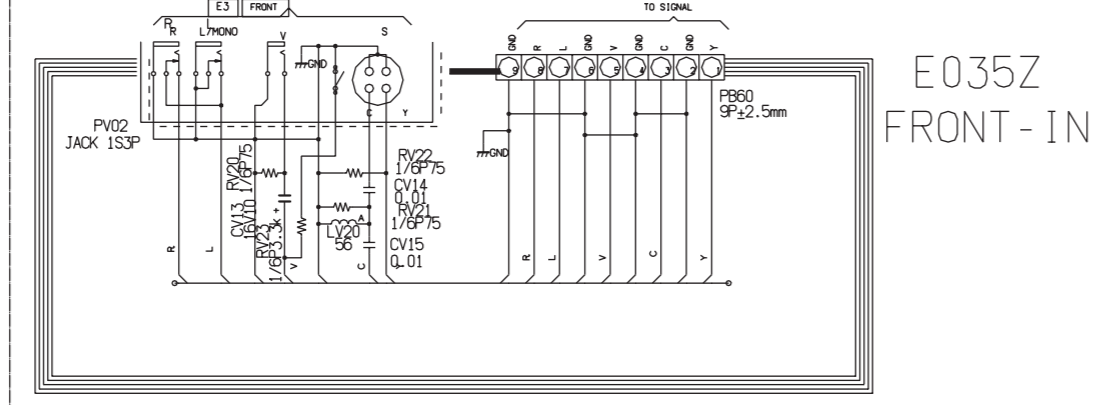
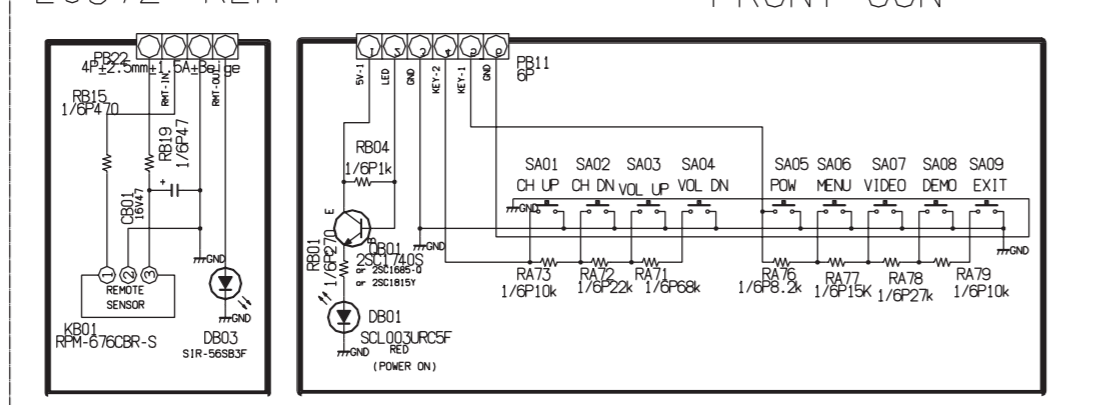
11

12

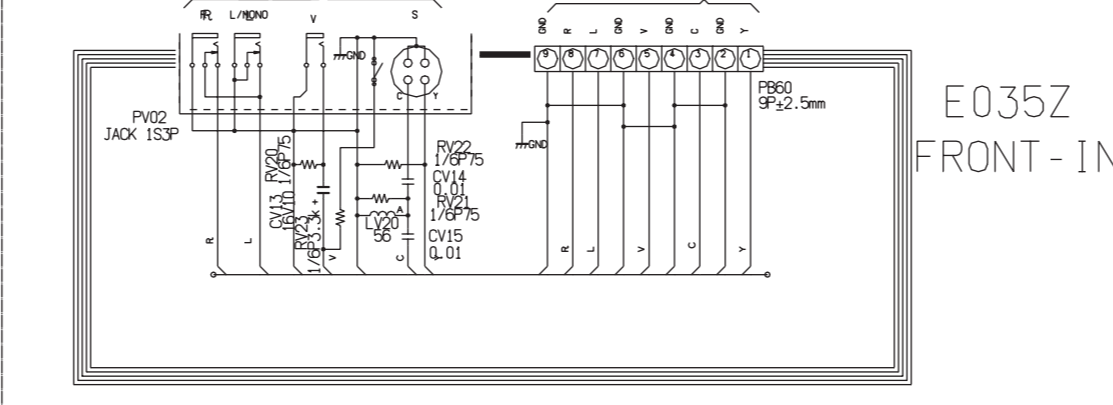
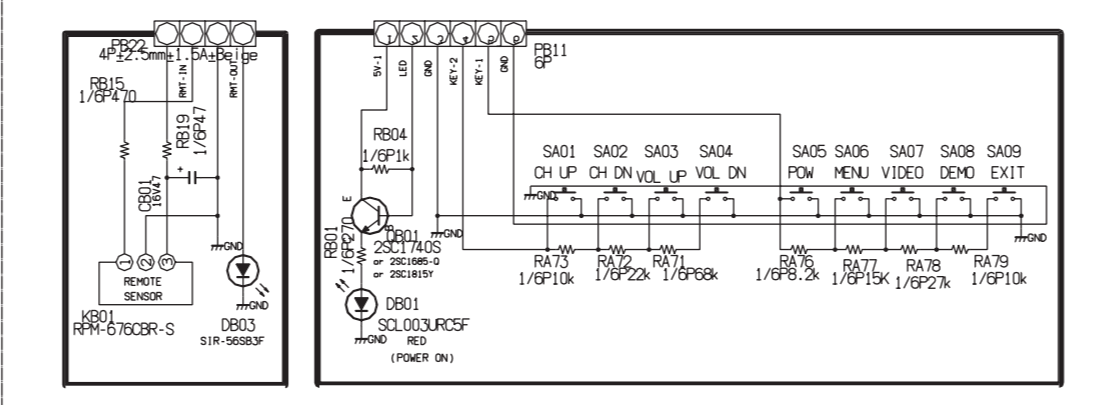
PB9587 SRS



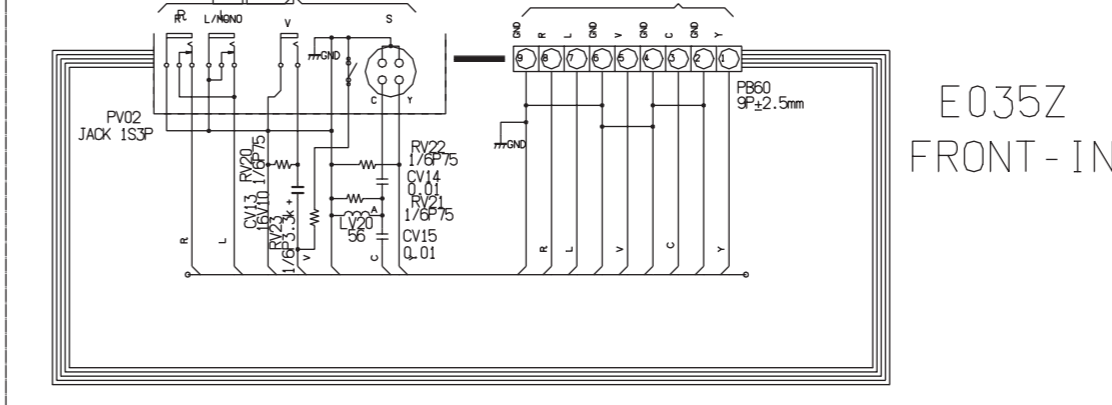
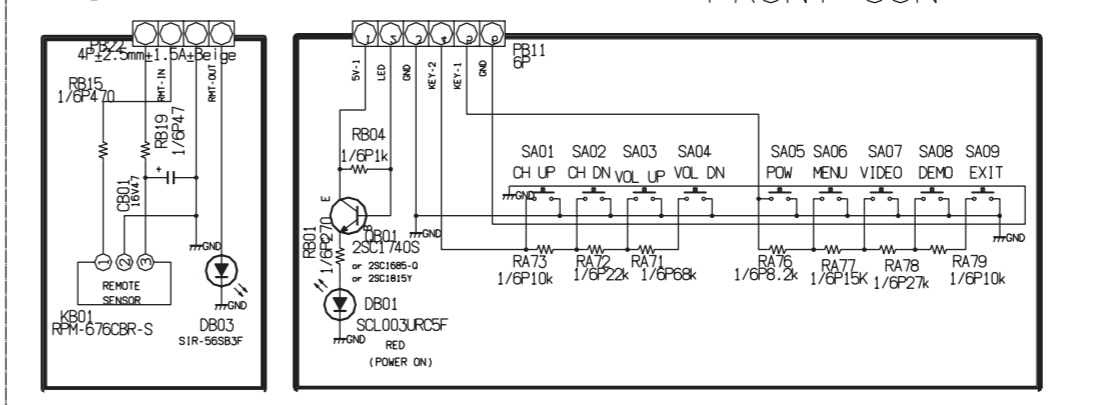
PB9615 61/55/50HX70 61/55H70



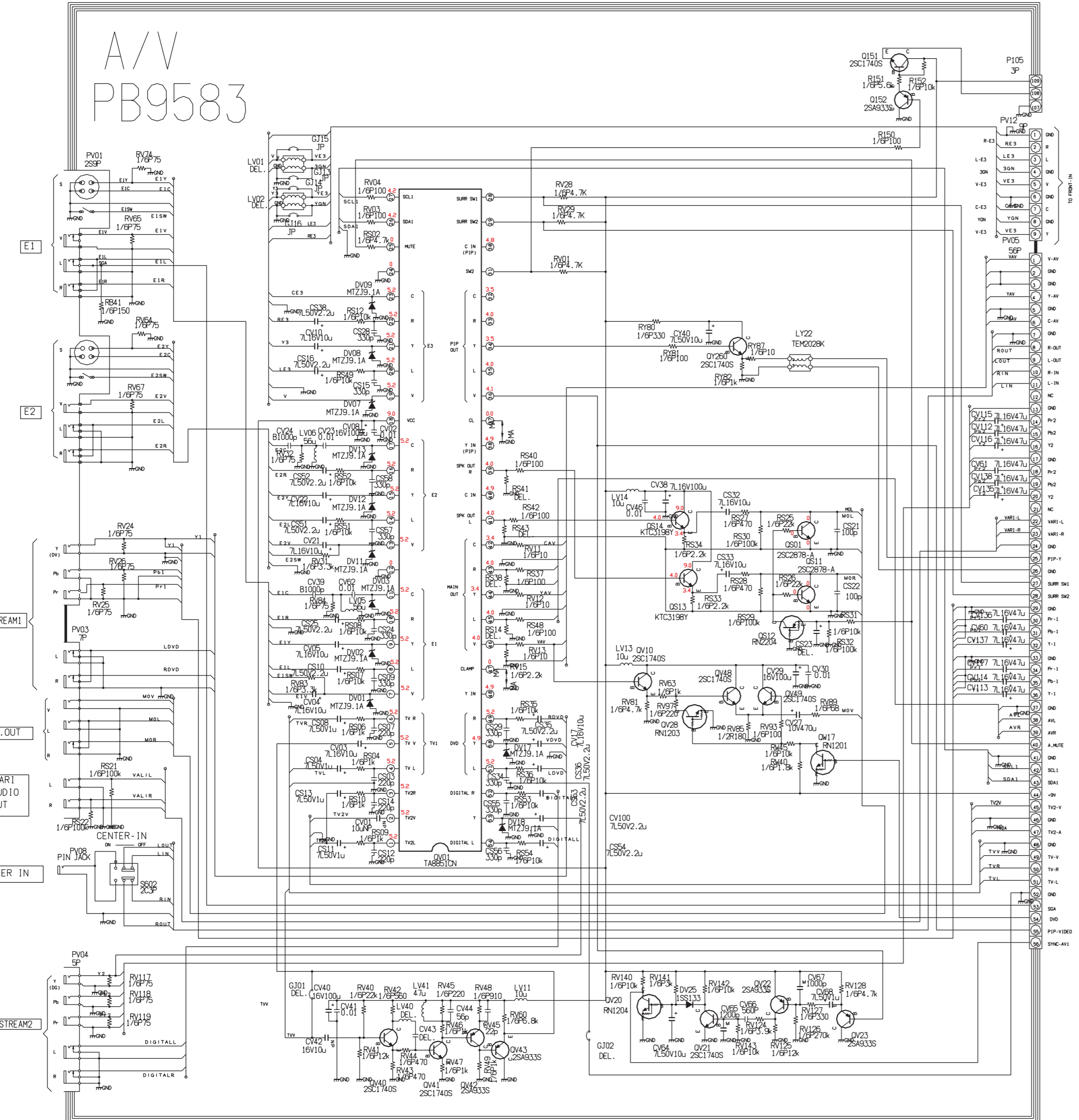
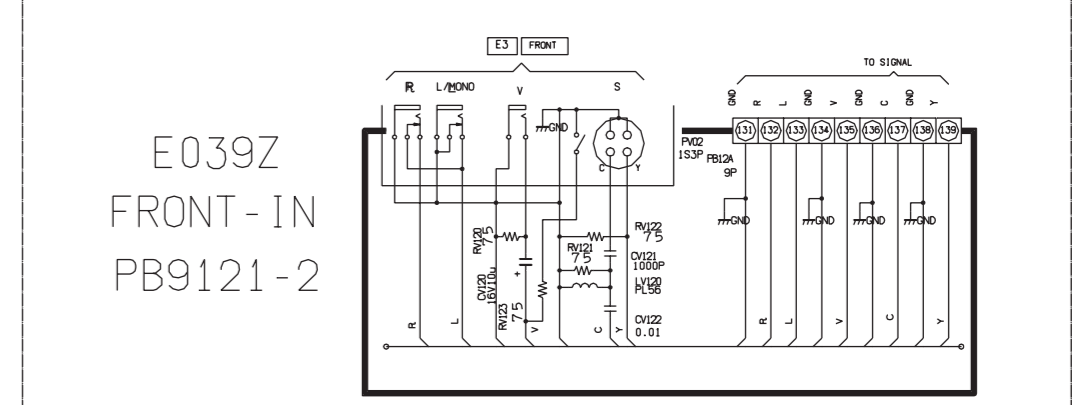
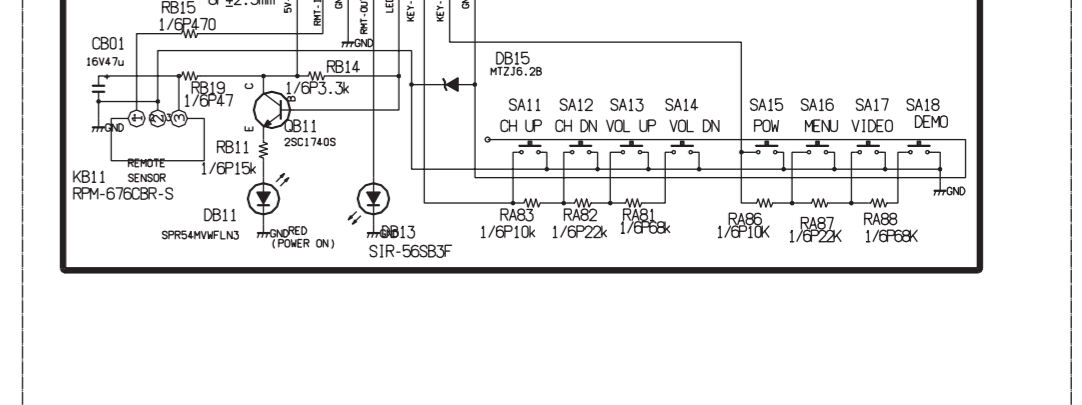
PB9651 43HX70/43H70



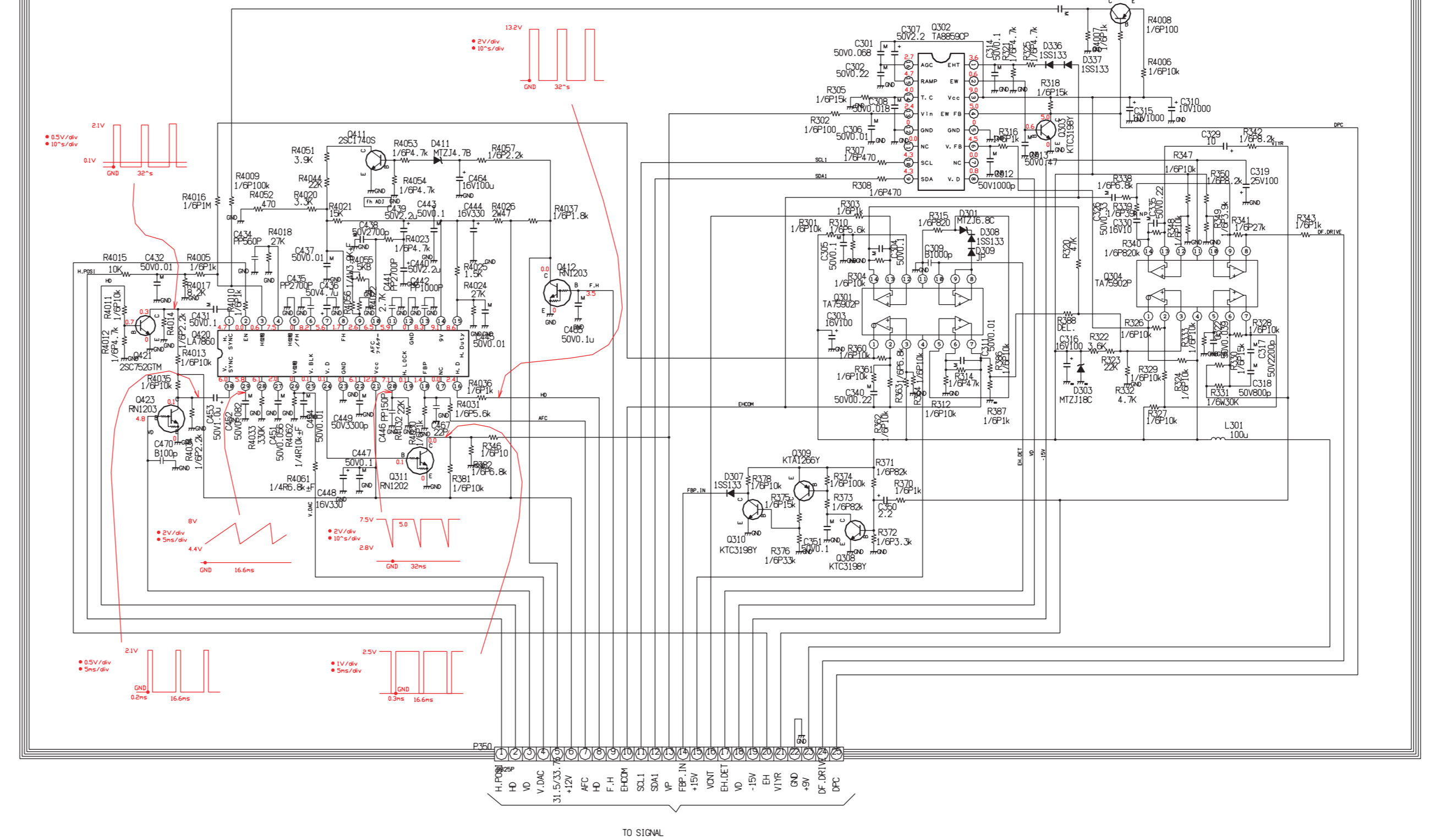
PB9652 40H80



PB9121 65H80/56H80



DPC PB9602



A/V SRS FRONT DPC
43H70/43HX70

1

2

3

4

A

B

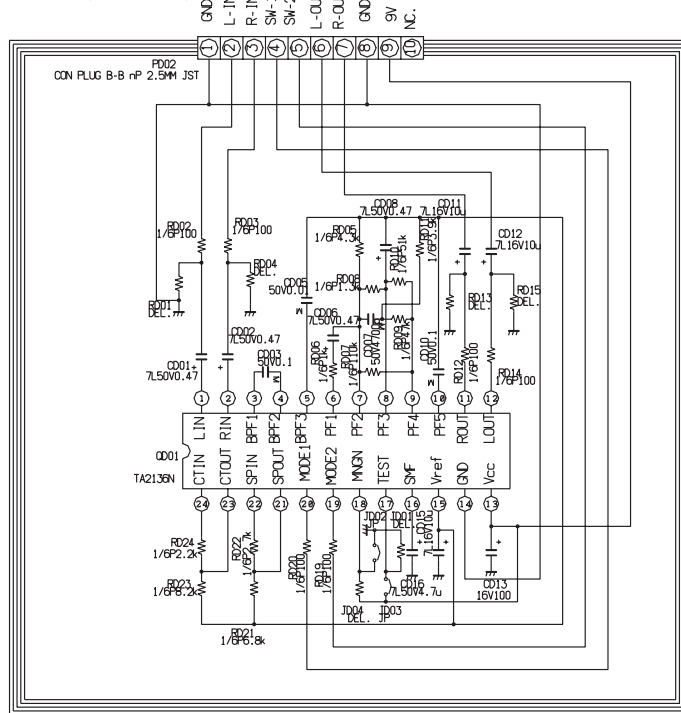
C

D

E

F

PB9587 SRS

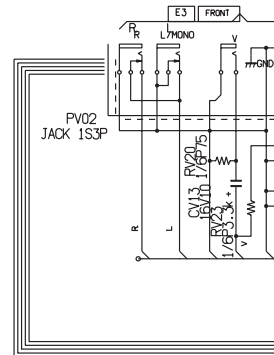
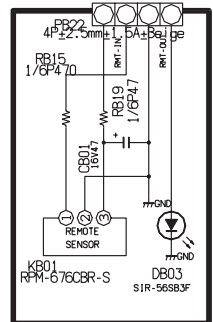


PB96

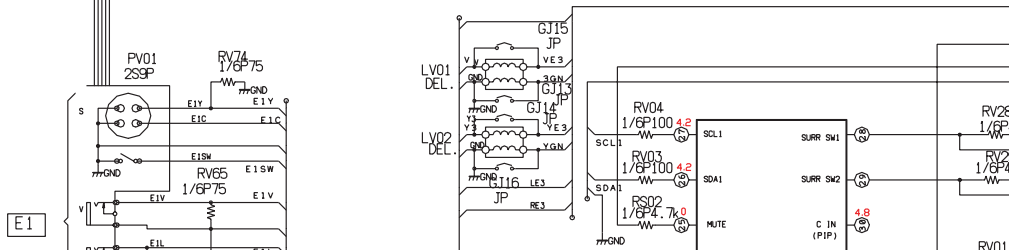
61/5

61/5

E037Z REM



A/V PB9583



4

5

6

7

8

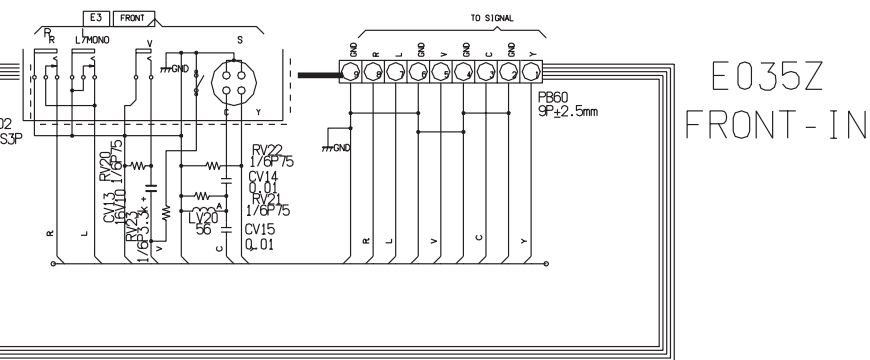
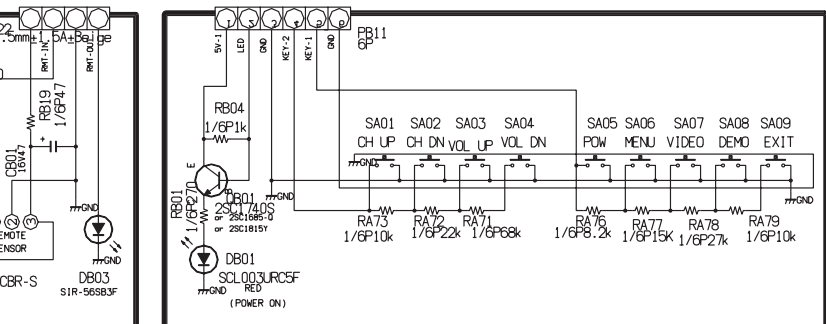
PB9615

61/55/50HX70

61/55H70

7Z REM

E034Z FRONT-CON

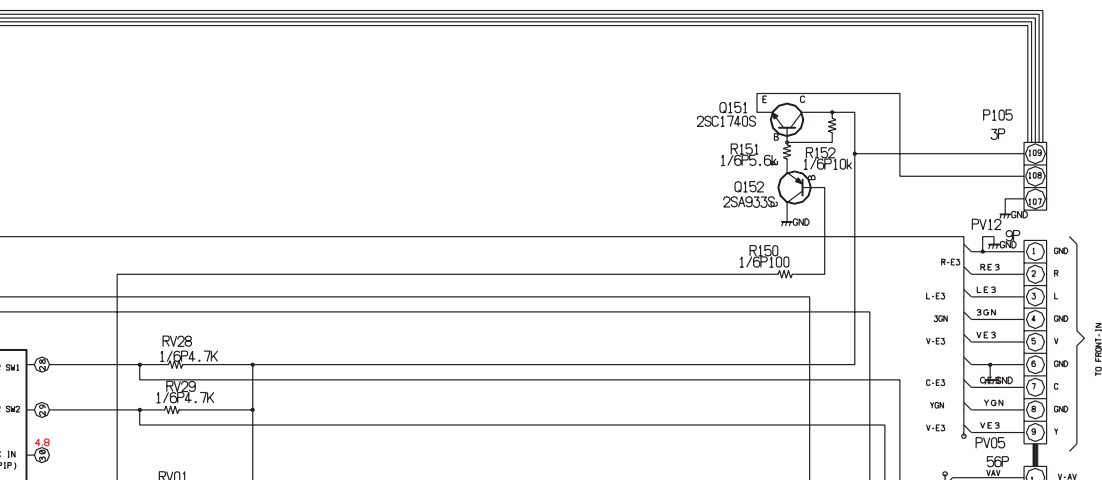
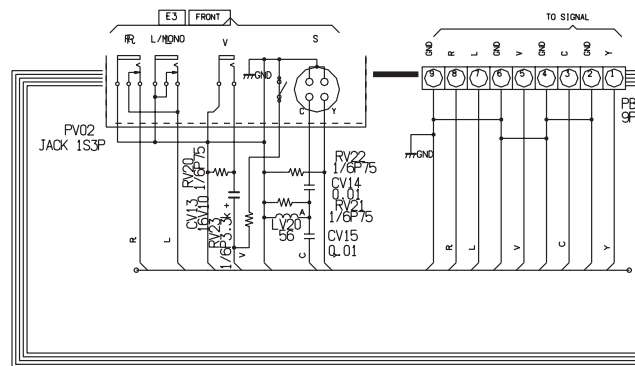
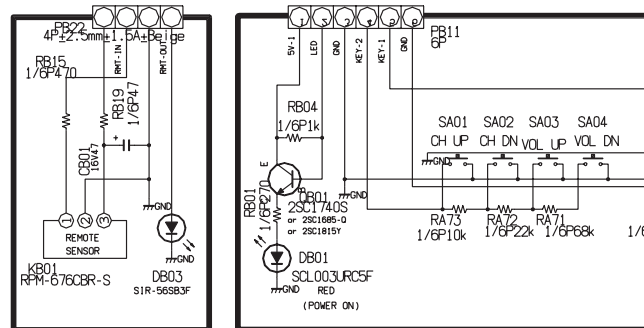


PB9651

43HX70/43H70

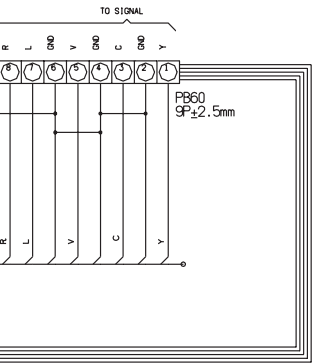
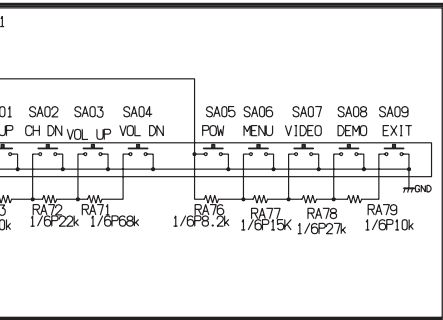
E037Z REM

FR



DPC PB9602

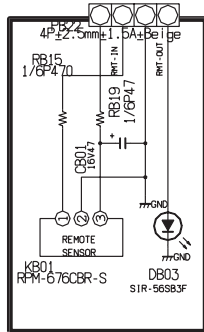
E034Z FRONT-CON



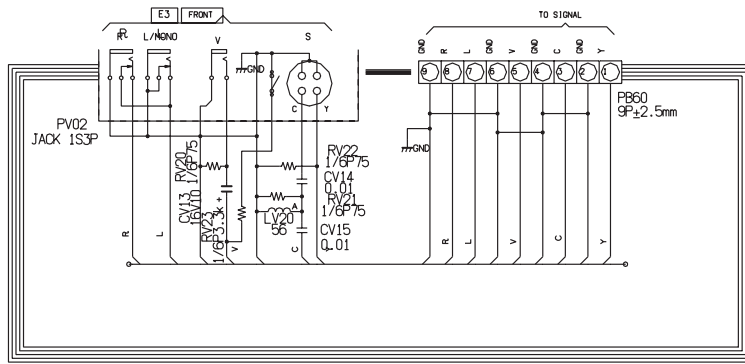
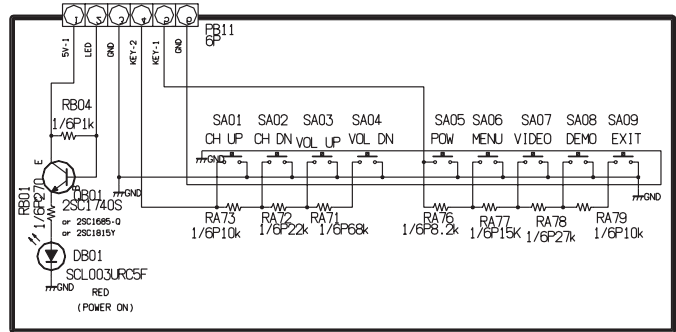
E035Z FRONT-IN

PB9652 40H80

E037Z REM



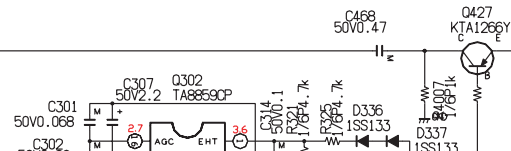
E034Z FRONT-CON



E035Z FRONT-IN

502

13.2V
 ● 2V/div
 ● 10ns/div



13

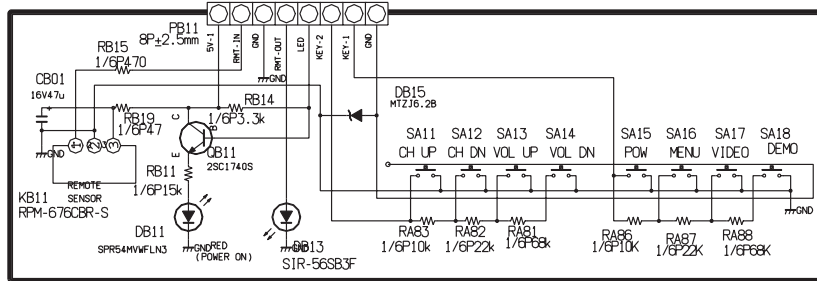
14

15

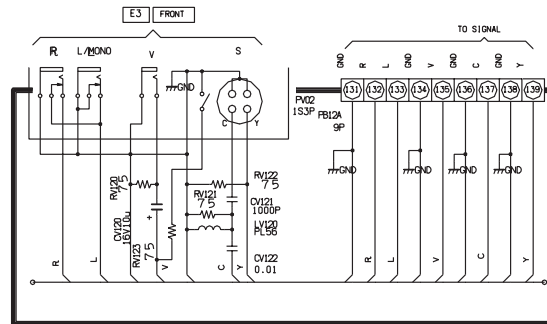
16

PB9121
65H80/56H80

FRONT-CON
PB9121-1



E039Z
FRONT-IN
PB9121-2



A

B

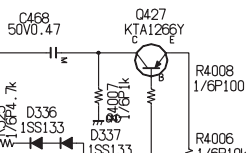
C

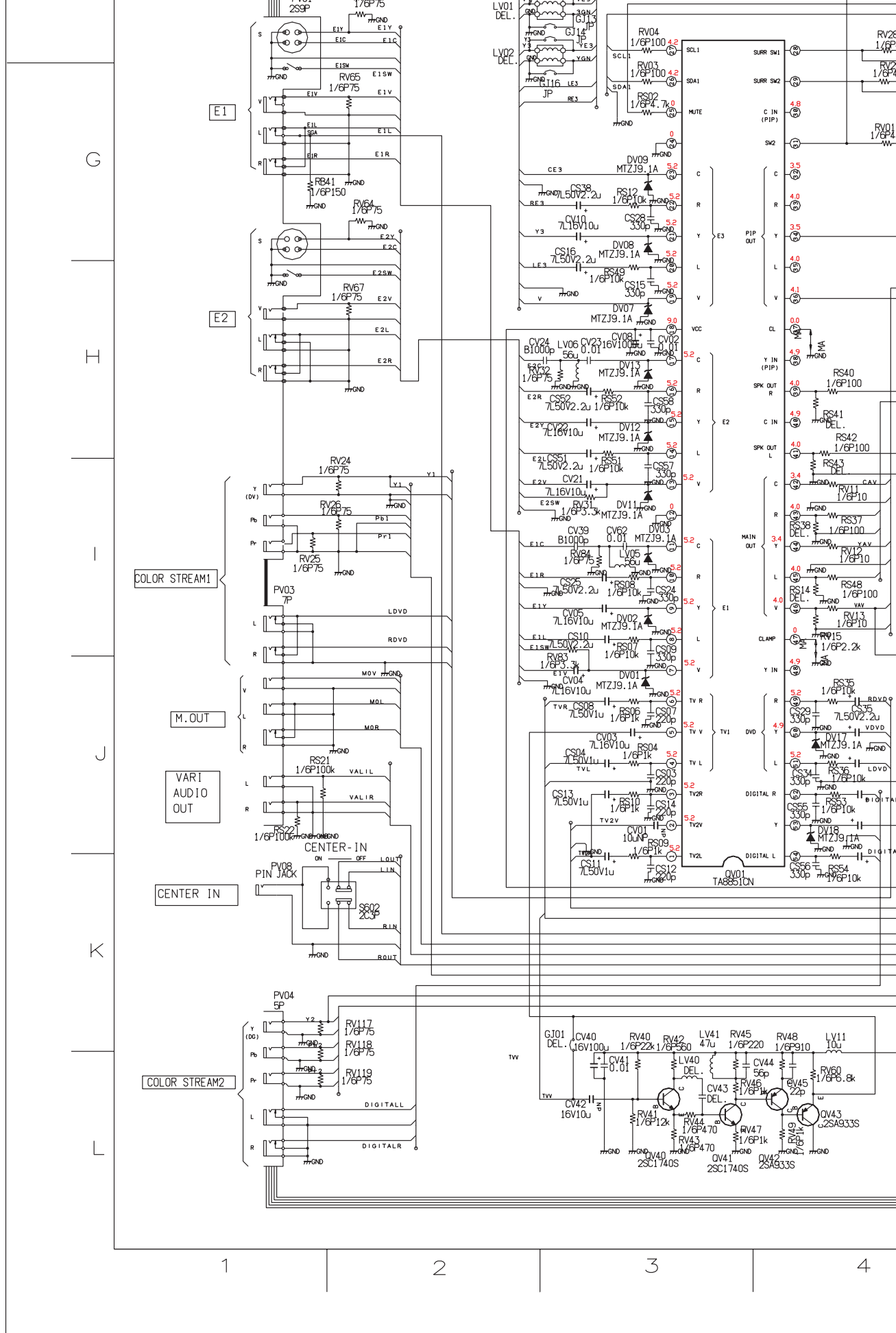
D

E

F

5Z
IT-IN



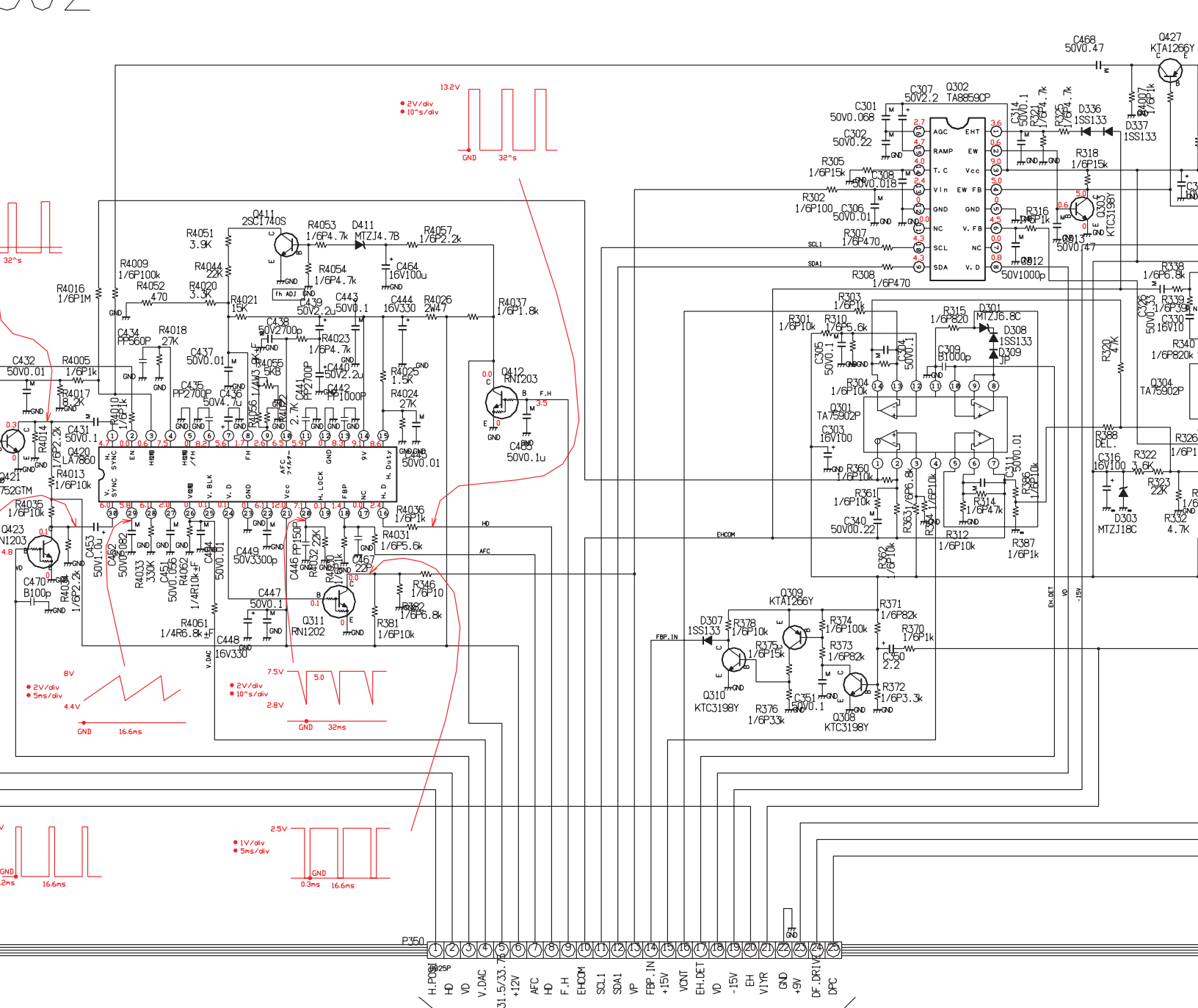


1

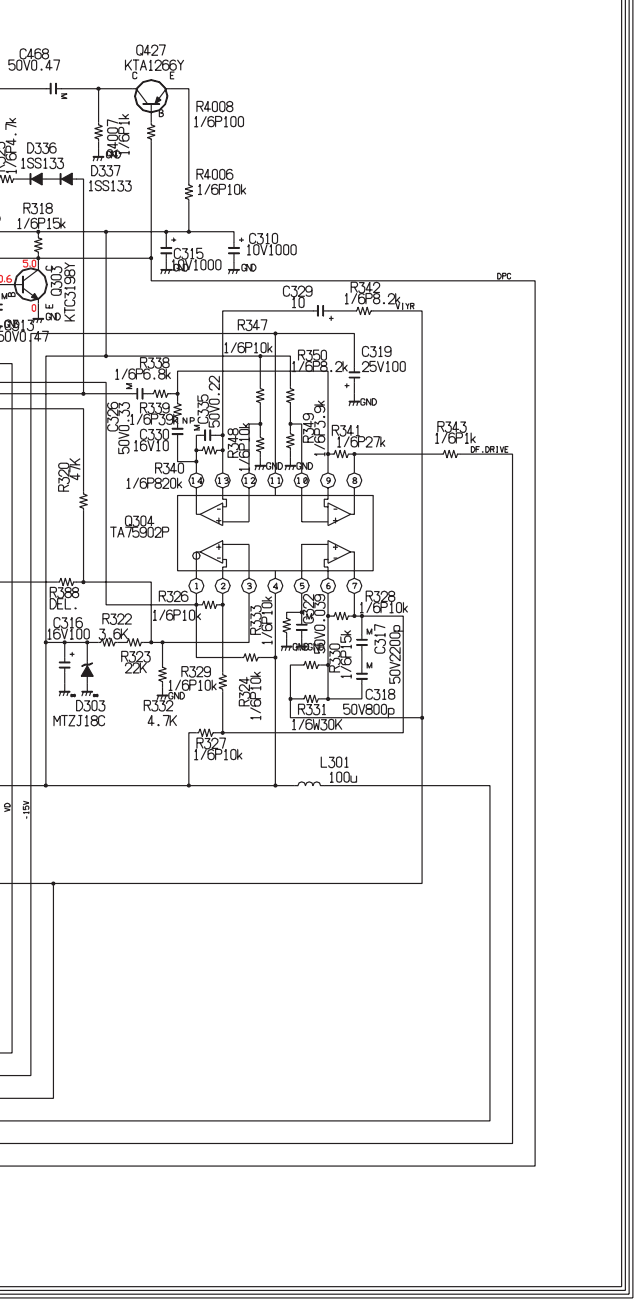
2

3

4



TO SIGNAL



G

H

I

J

K

L

AV SRS FRONT DPC 43H70/43HX70

13

14

15

16

1 2 3 4 5 6 7 8

A

B

C

D

E

F

A

B

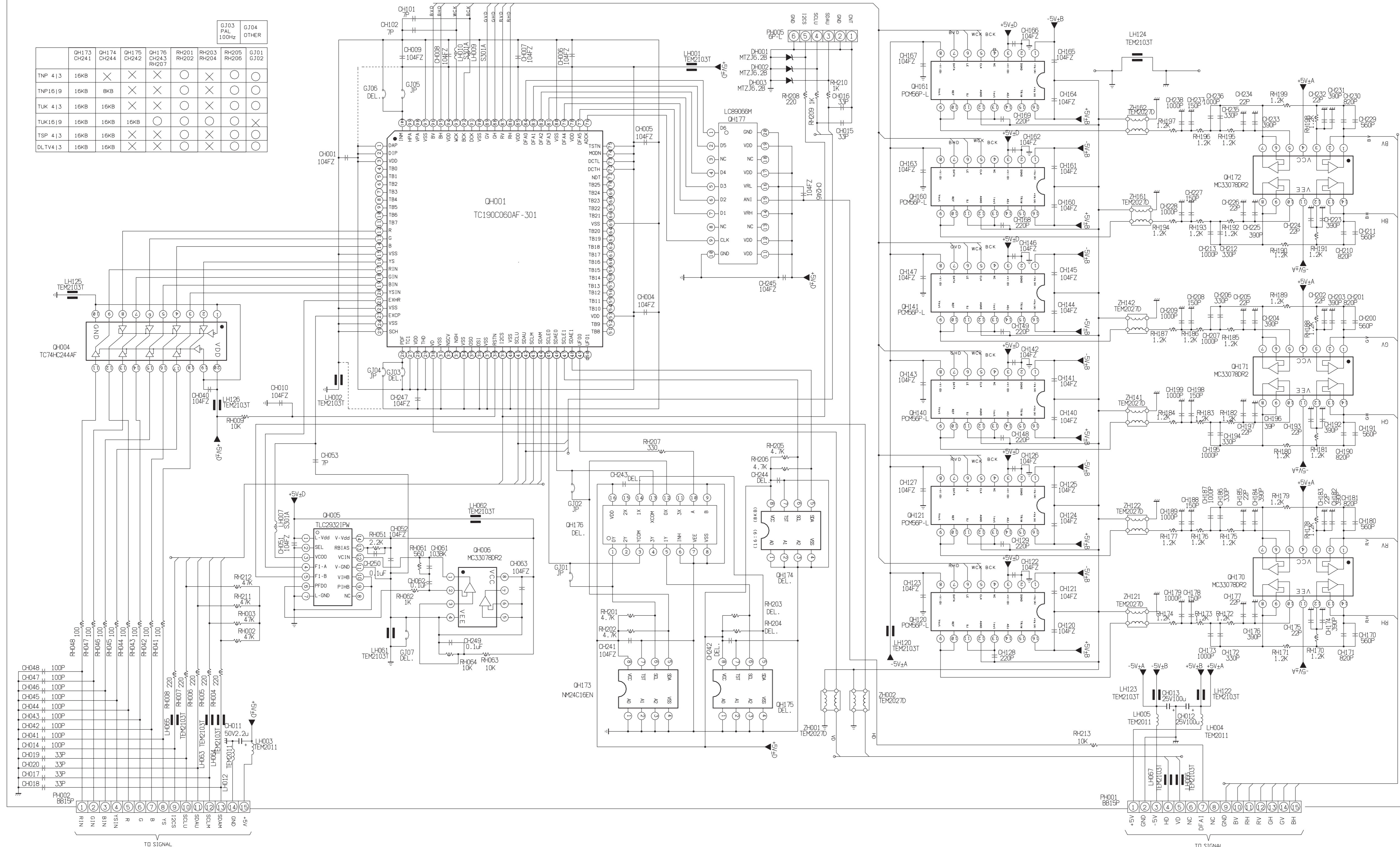
C

D

E

F

	Q173 CH241	Q174 CH244	Q175 CH242	Q176 CH243 RH207	RH201 RH202	RH203 RH204	RH205 RH206	G101 G102
TNP 4 3	16KB	X	X	X	O	X	O	O
TNP16 9	16KB	16KB	X	X	O	X	O	O
TUK 4 3	16KB	16KB	X	X	O	O	O	O
TUK16 9	16KB	16KB	16KB	X	O	O	O	X
TSP 4 3	16KB	16KB	X	X	O	X	O	O
DLTV4 3	16KB	16KB	X	X	O	X	O	O



DIGITAL CONVER
43H70/43HX70

1 2 3 4 5 6 7 8

1

2

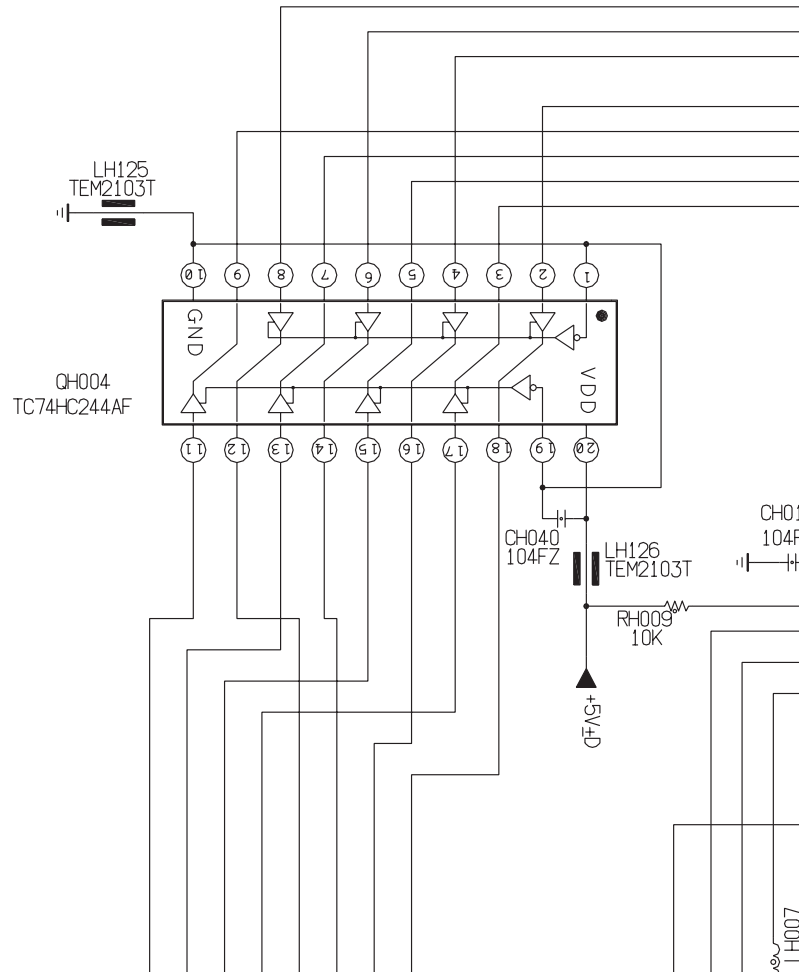
A

B

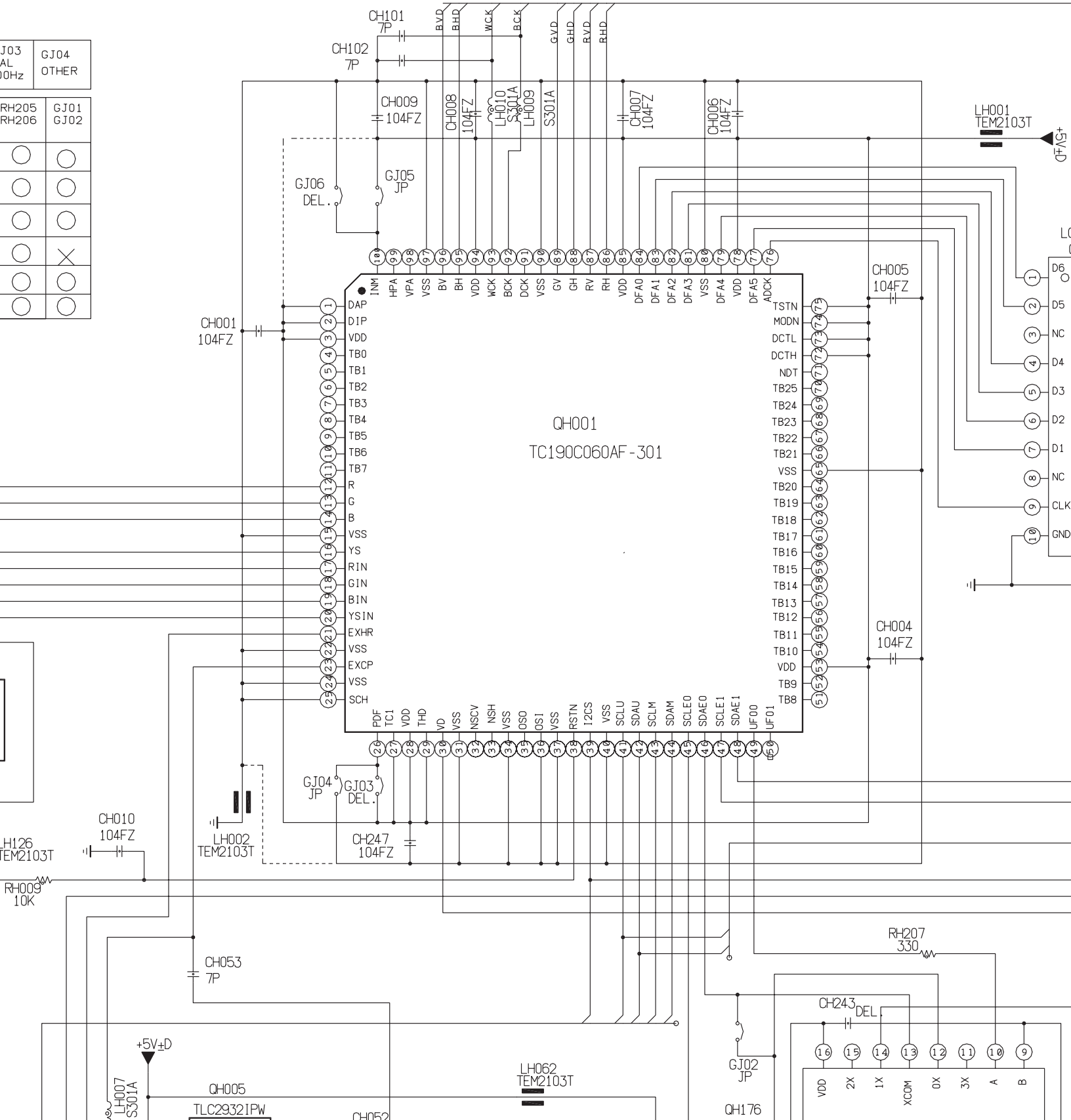
C

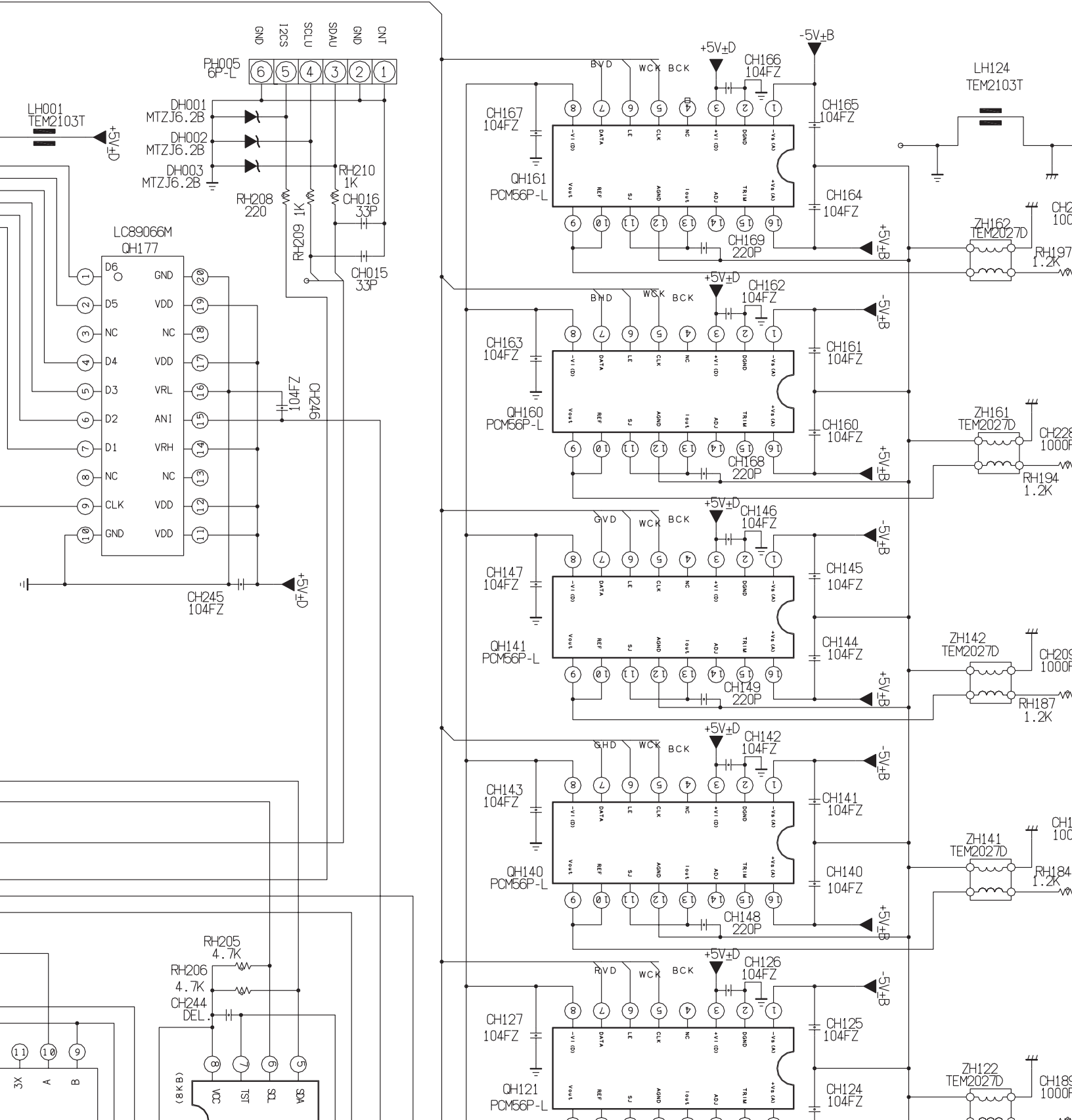
GJ03 PAL 100Hz	GJ04 OTHER
----------------------	---------------

	QH173 CH241	QH174 CH244	QH175 CH242	QH176 CH243 RH207	RH201 RH202	RH203 RH204	RH205 RH206	GJ01 GJ02
TNP 4 3	16KB	×	×	×	○	×	○	○
TNP16 9	16KB	8KB	×	×	○	×	○	○
TUK 4 3	16KB	16KB	×	×	○	×	○	○
TUK16 9	16KB	16KB	16KB	○	○	○	○	×
TSP 4 3	16KB	16KB	×	×	○	×	○	○
DLTV4 3	16KB	16KB	×	×	○	×	○	○



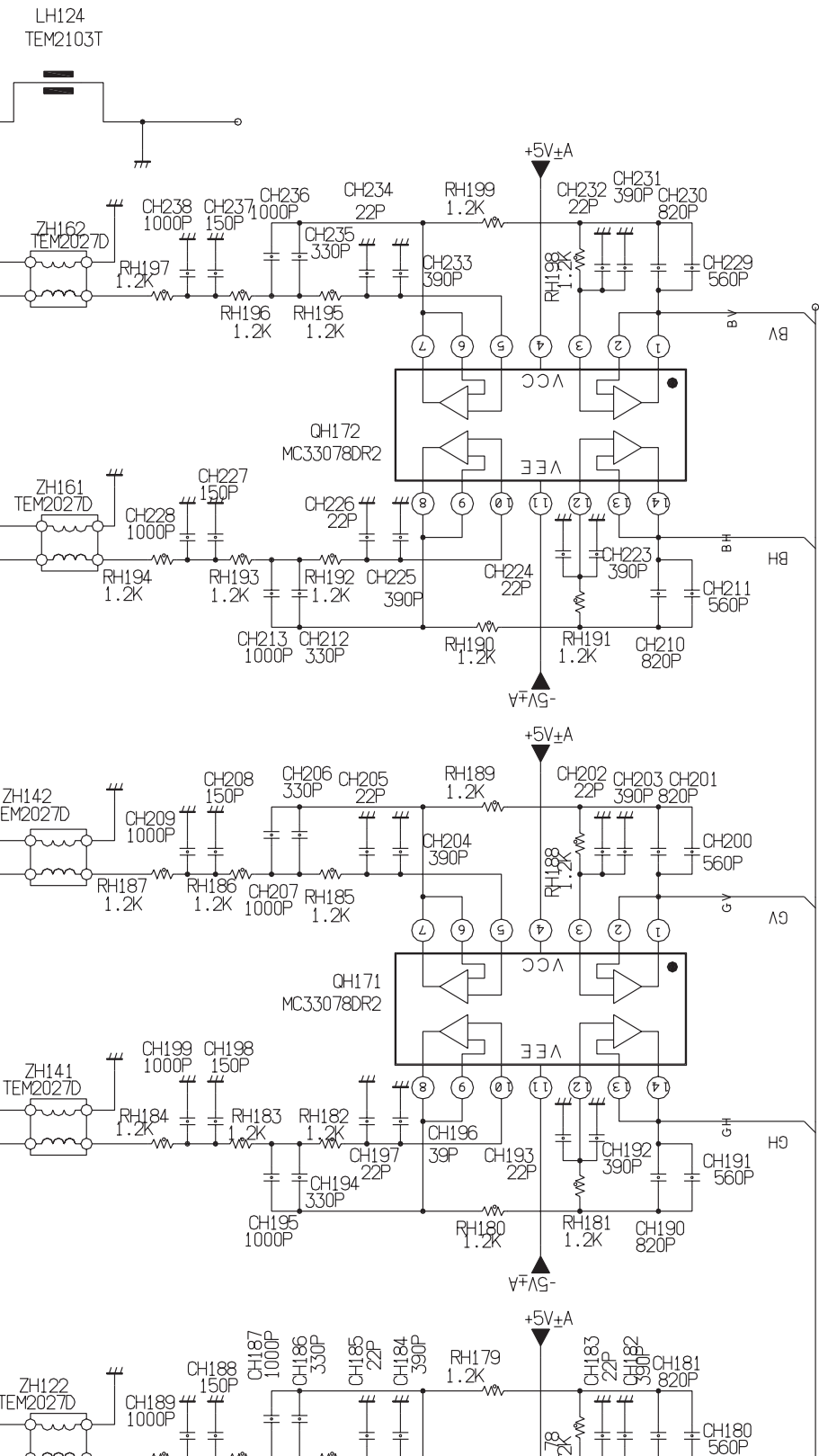
J03 AL 104Fz	GJ04 OTHER
RH205 RH206	GJ01 GJ02
<input type="radio"/>	<input type="radio"/>
<input type="radio"/>	<input type="radio"/>
<input type="radio"/>	<input checked="" type="radio"/>
<input type="radio"/>	<input type="radio"/>
<input type="radio"/>	<input type="radio"/>





7

8



A

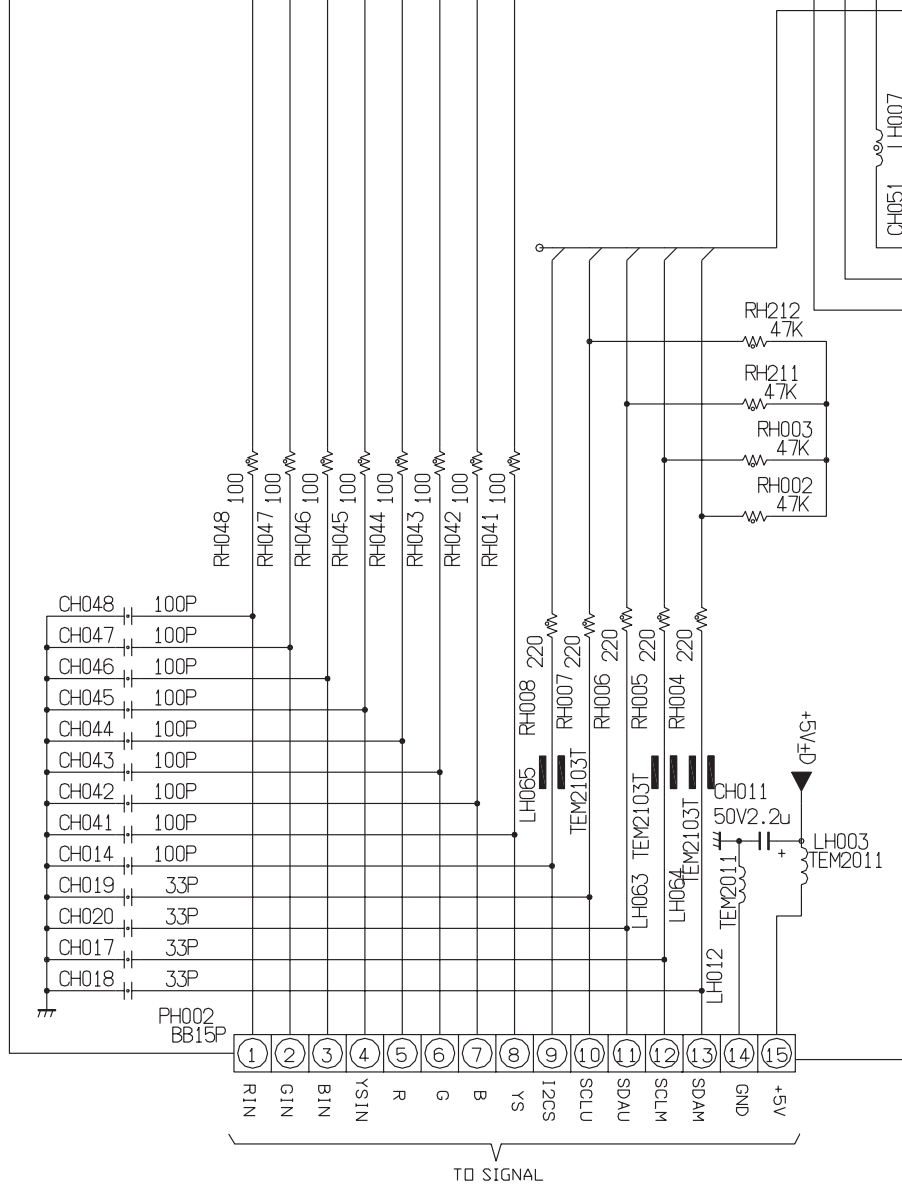
B

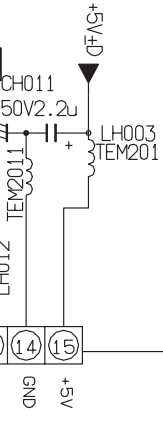
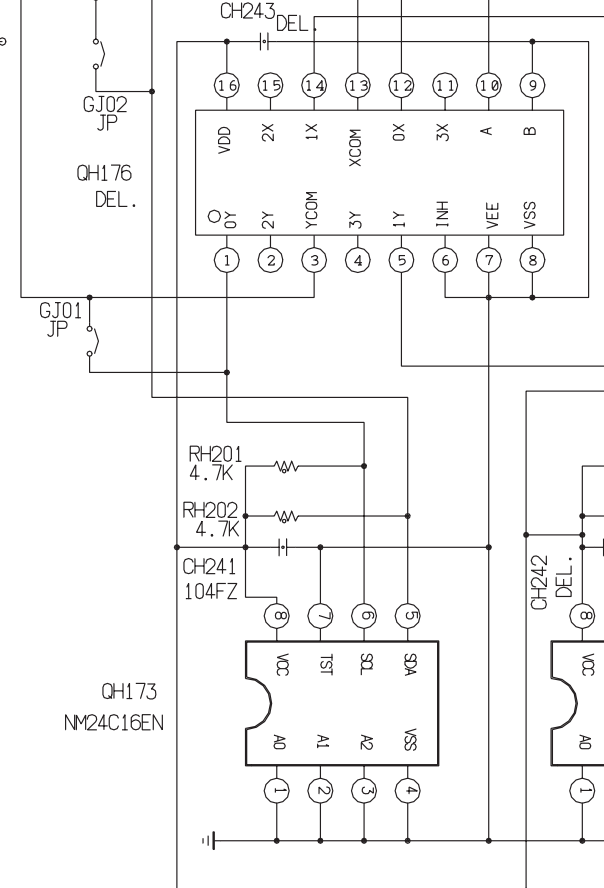
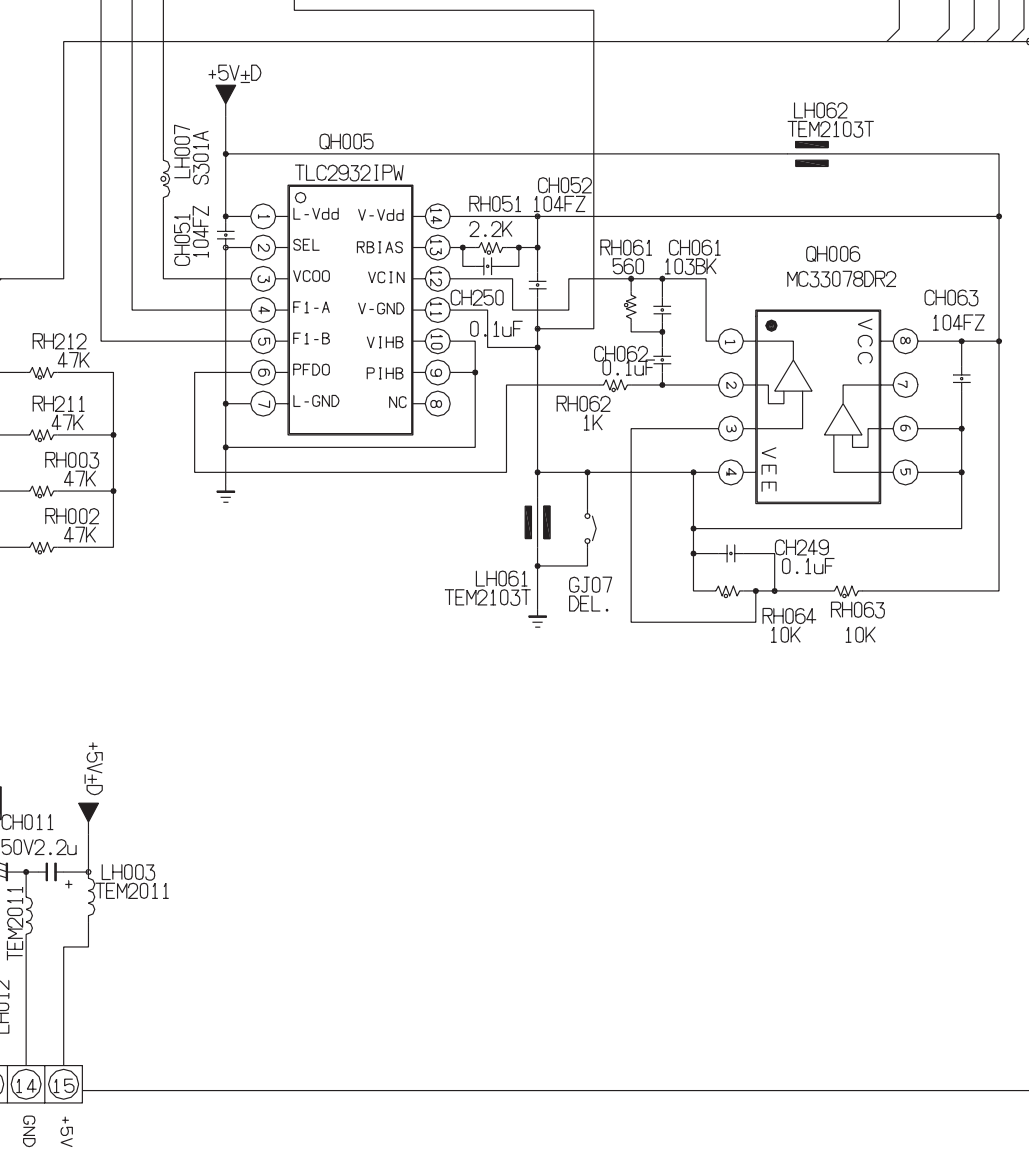
C

D

F

F

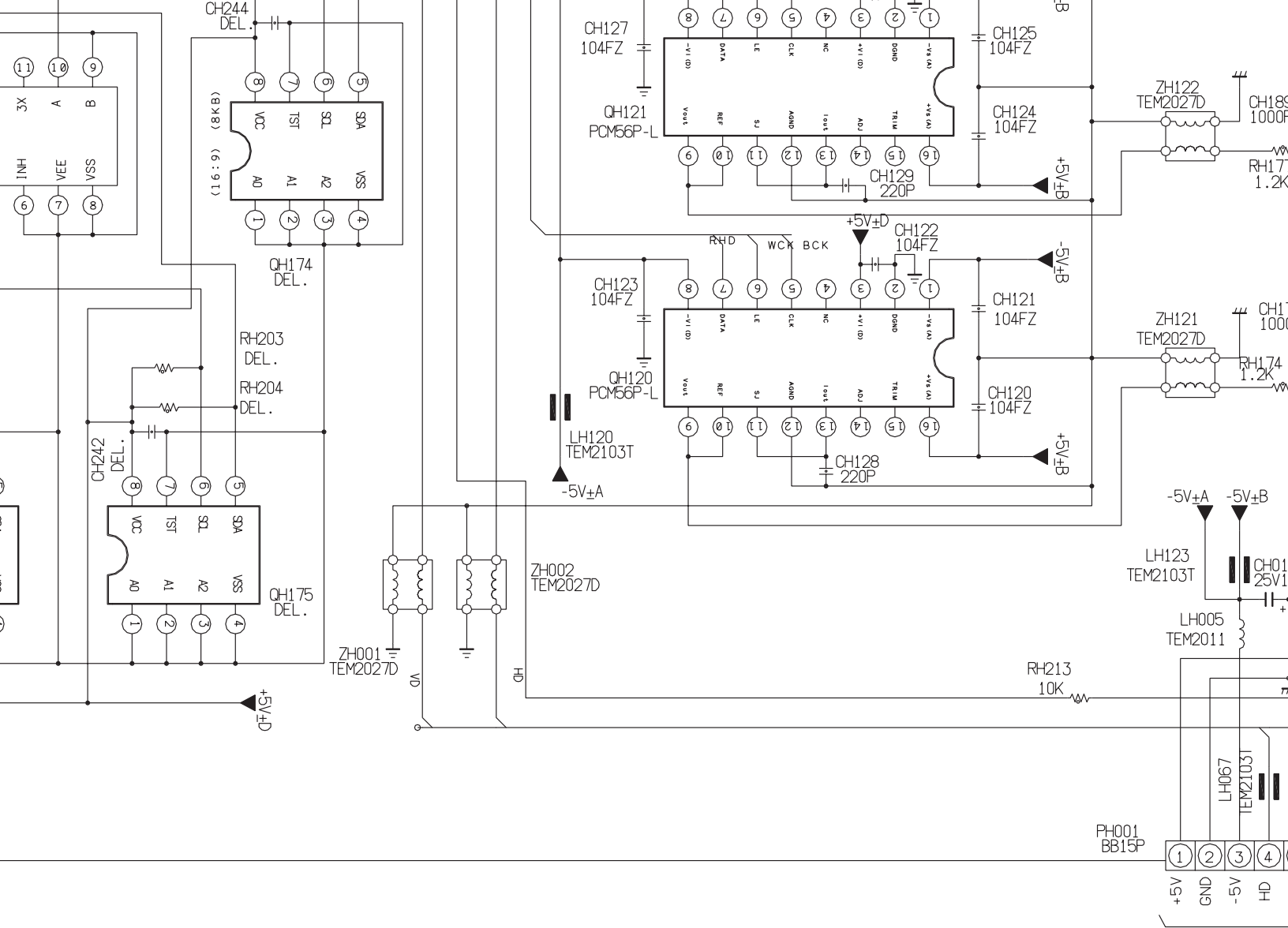




2

3

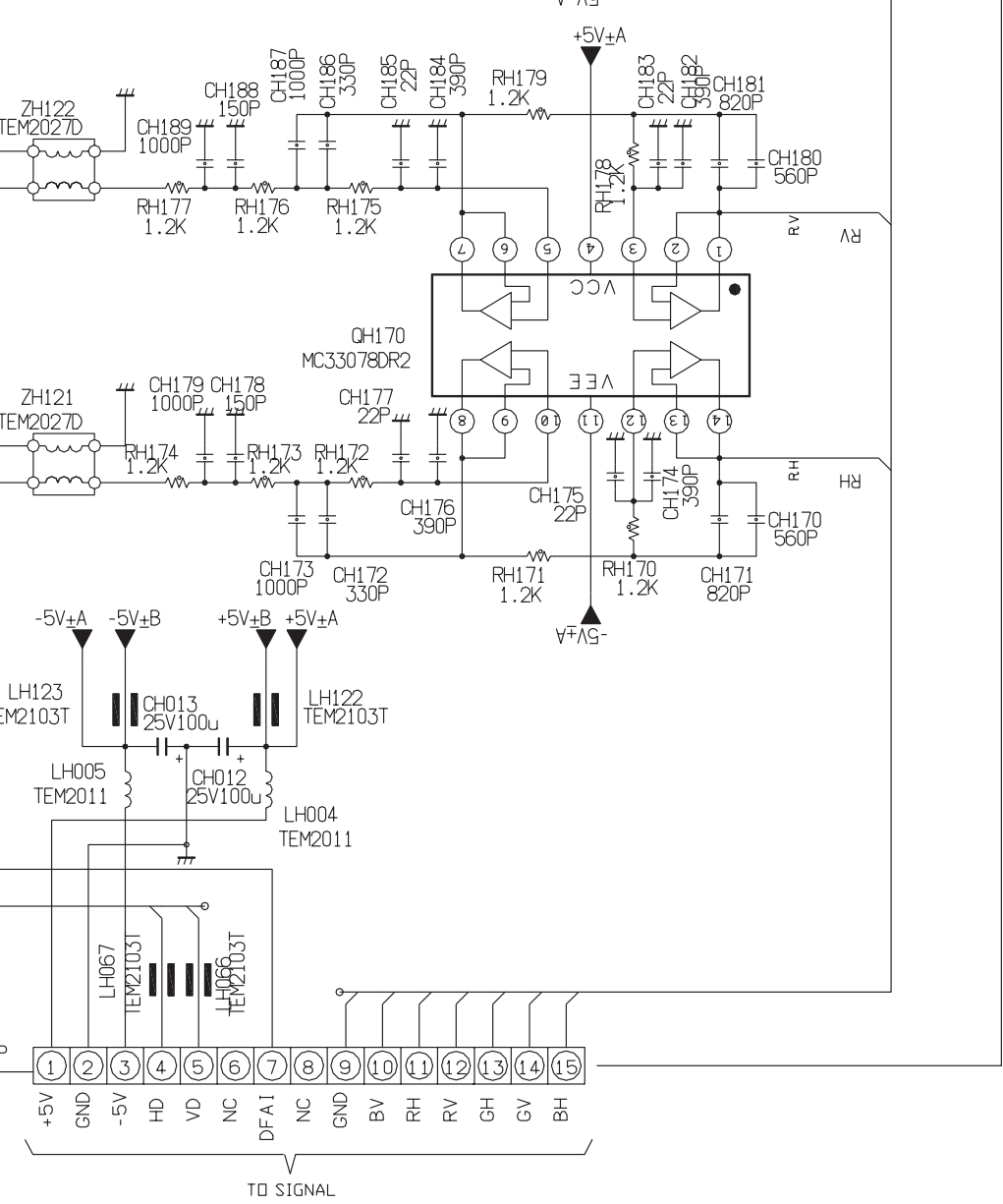
4



5

6

7



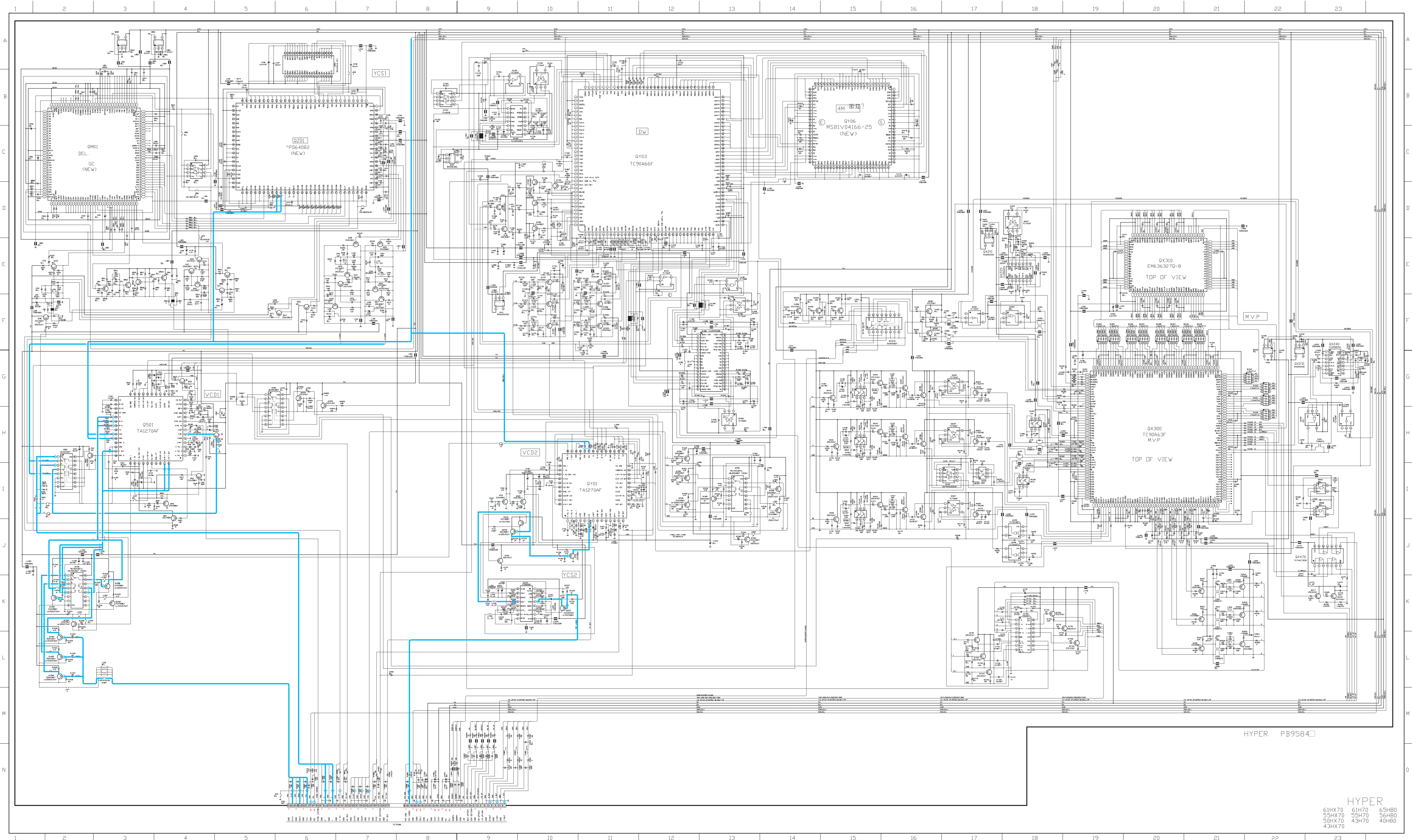
TO SIGNAL

D

E

F

DIGITAL CONVER 43H70/43HX70



HYPER PB9584

HYPER
 61HX70 61H70 65H80
 55HX70 55H70 56H80
 50HX70 43H70 40H80
 43HX70

1

2

3

4

5

6

A

B

C

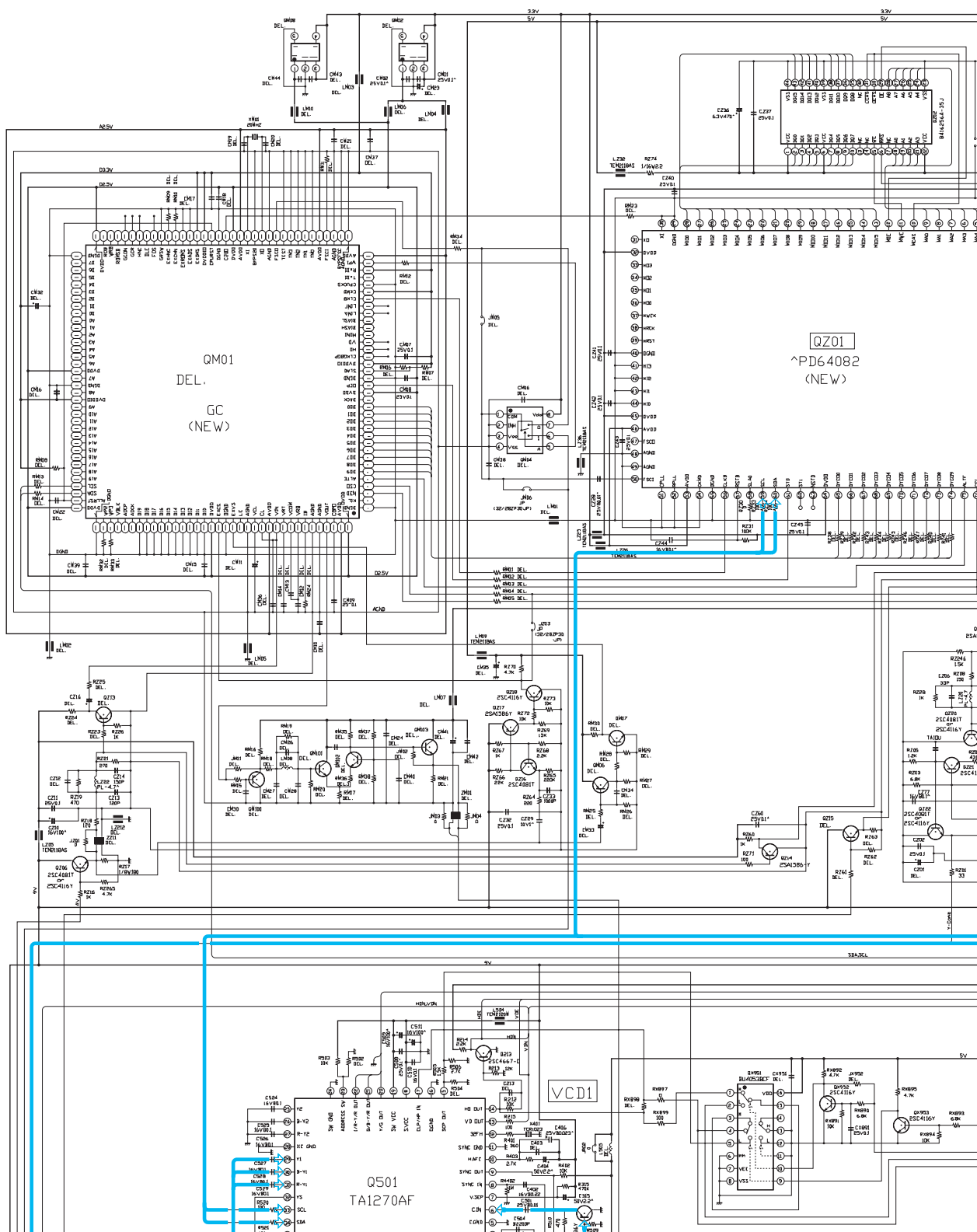
D

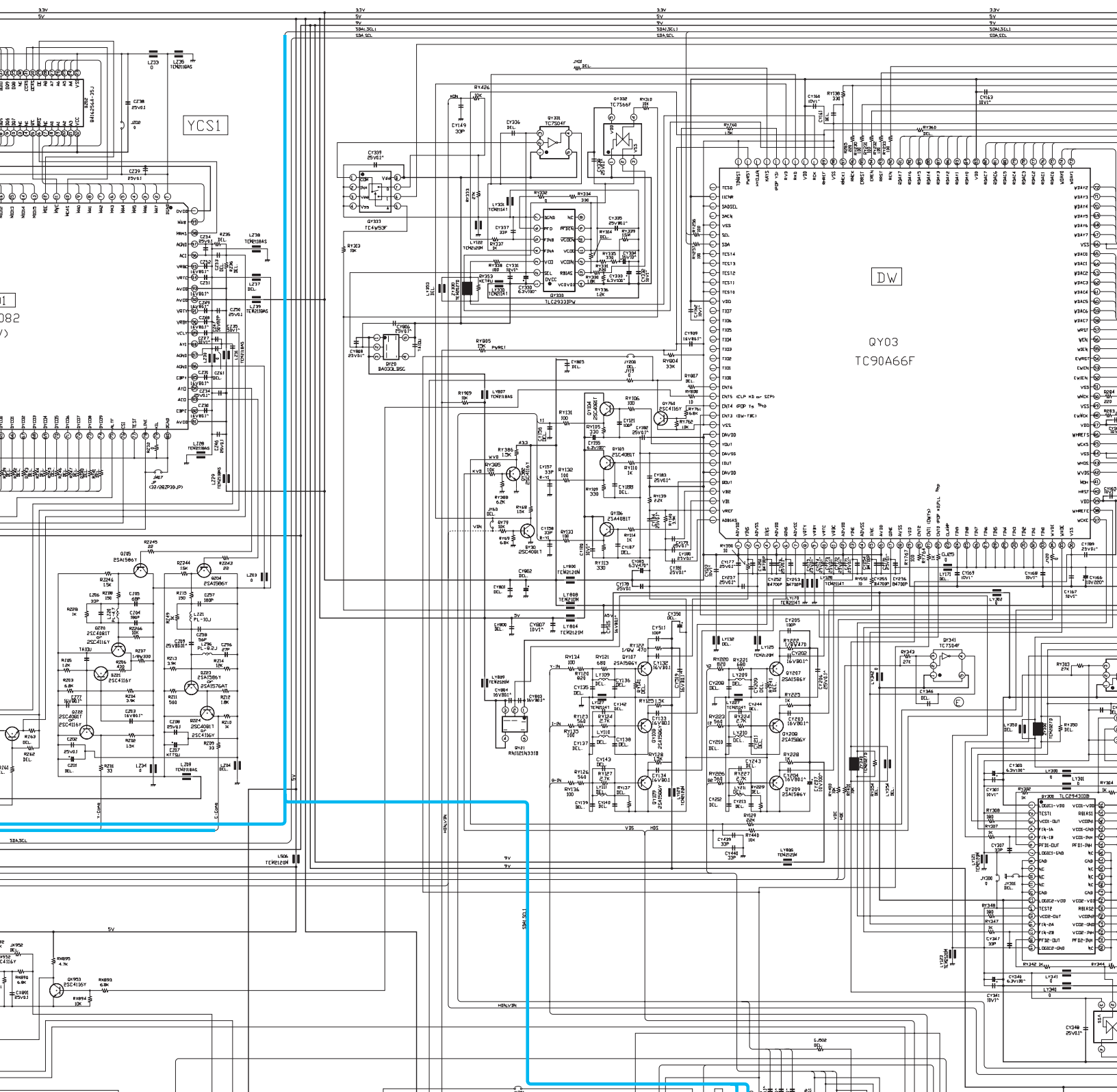
E

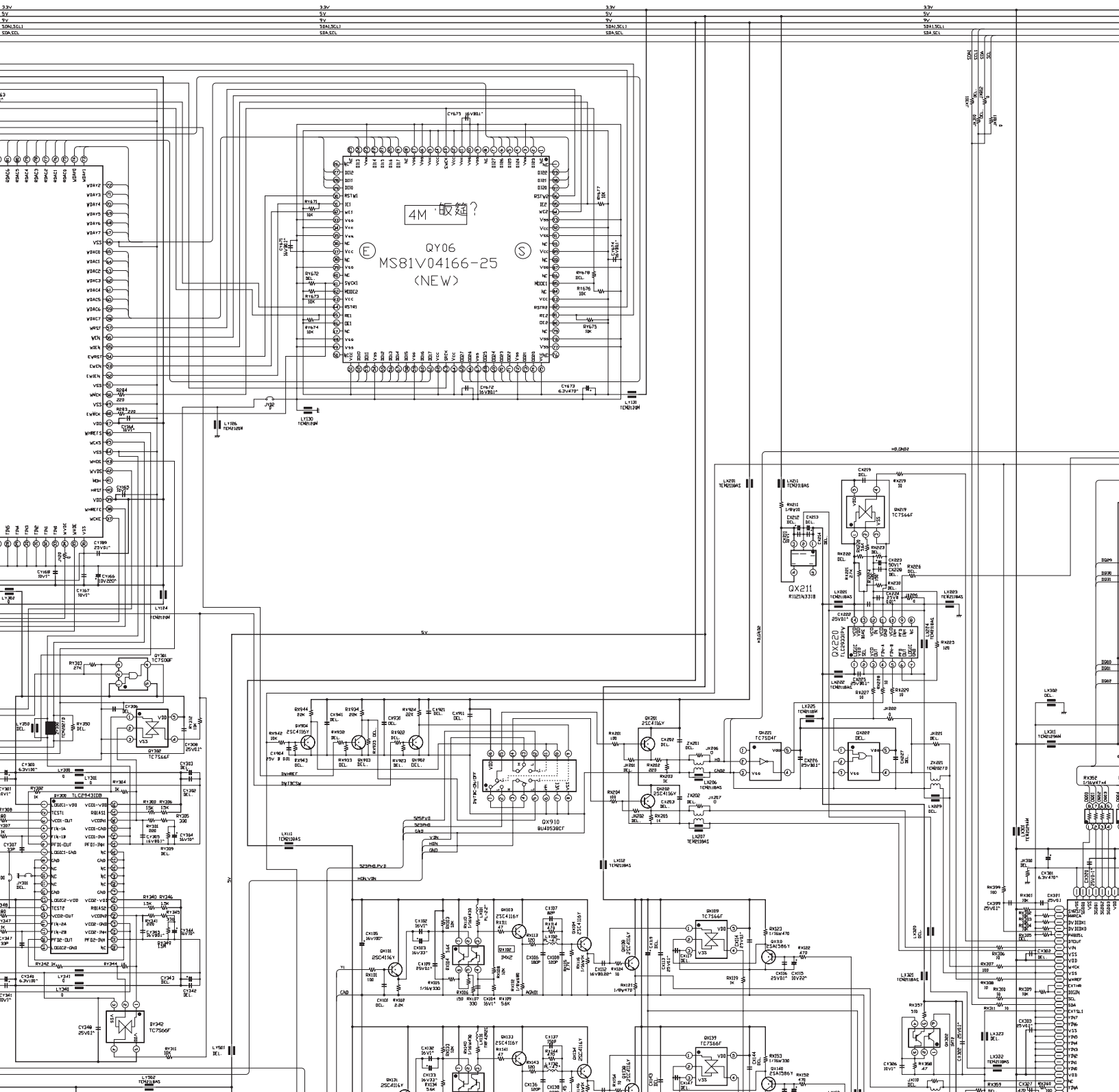
F

G

H







A

B

C

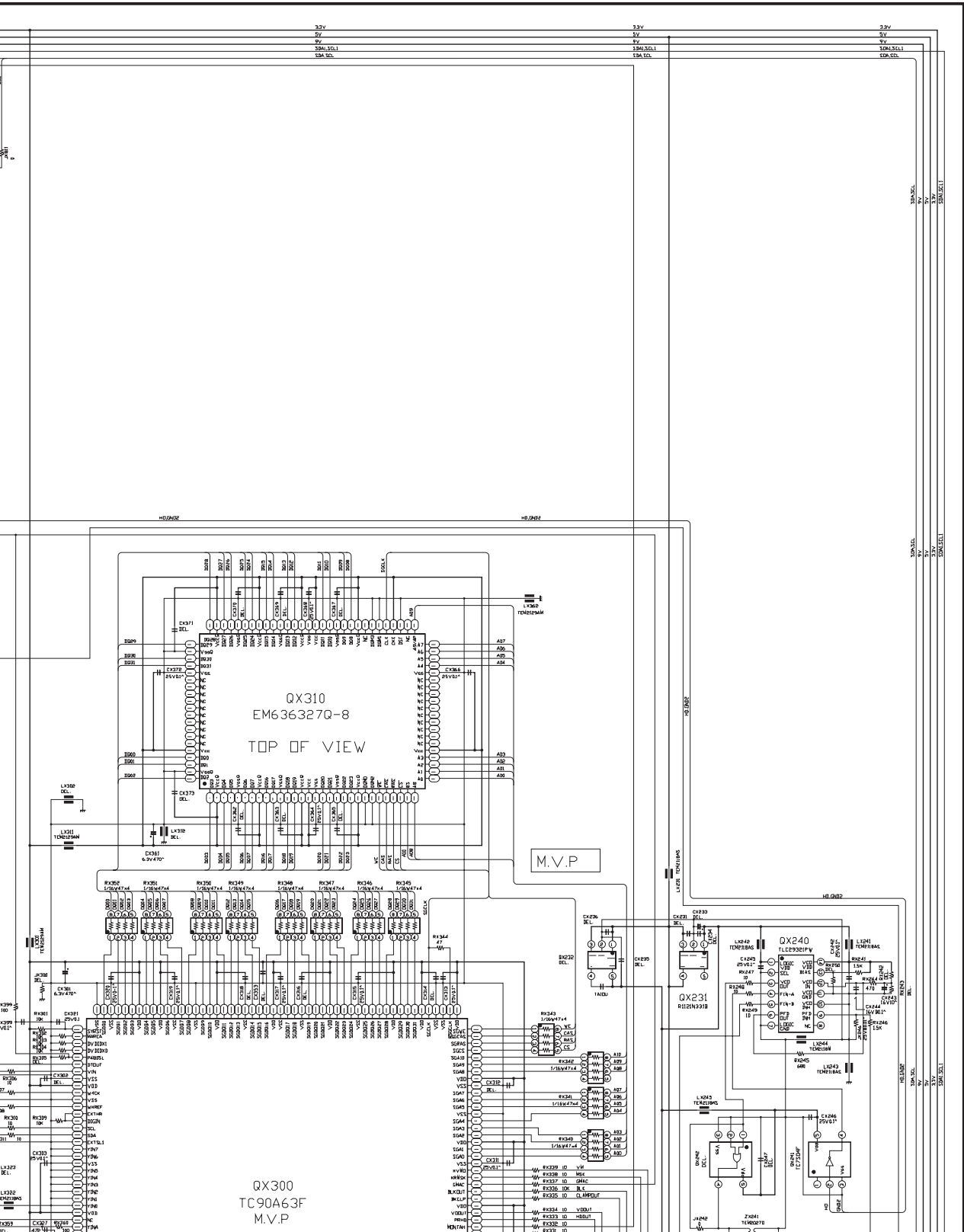
D

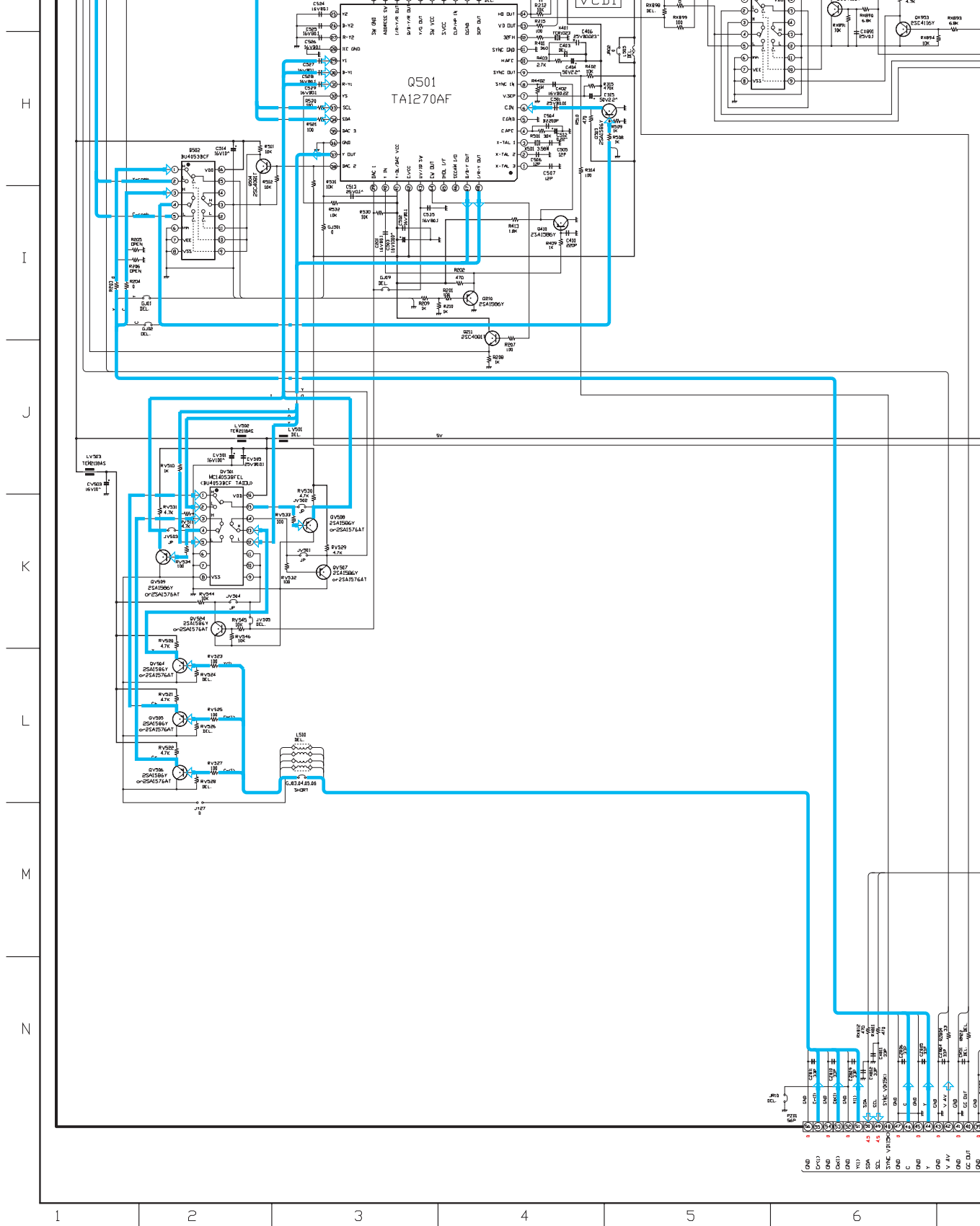
E

F

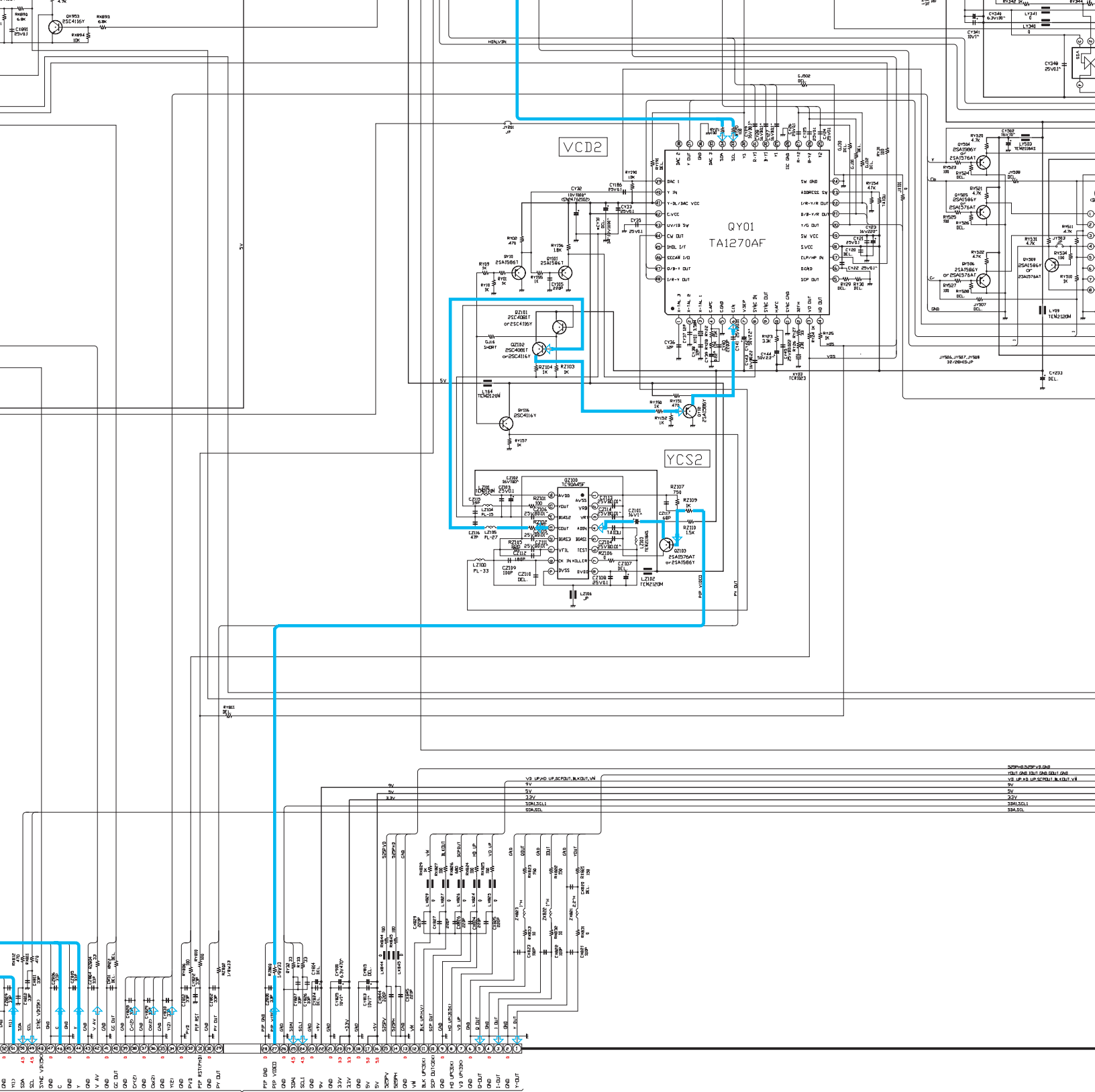
G

H

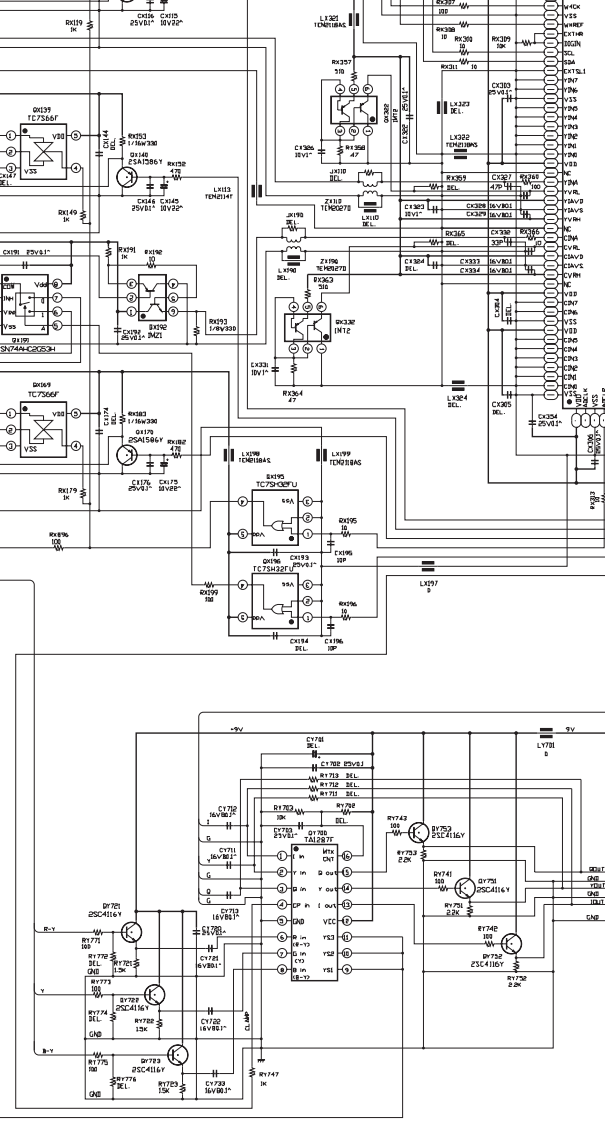
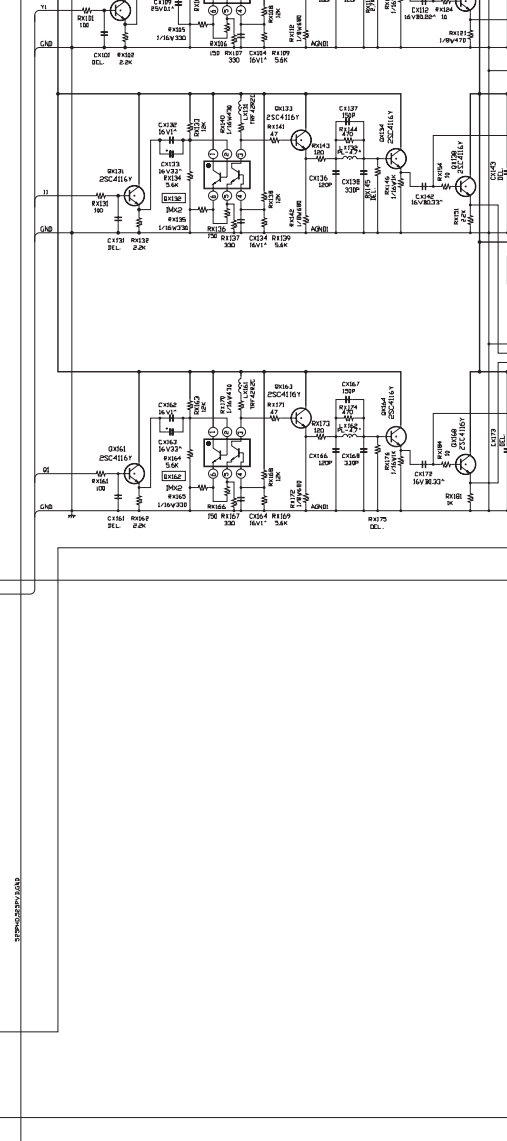
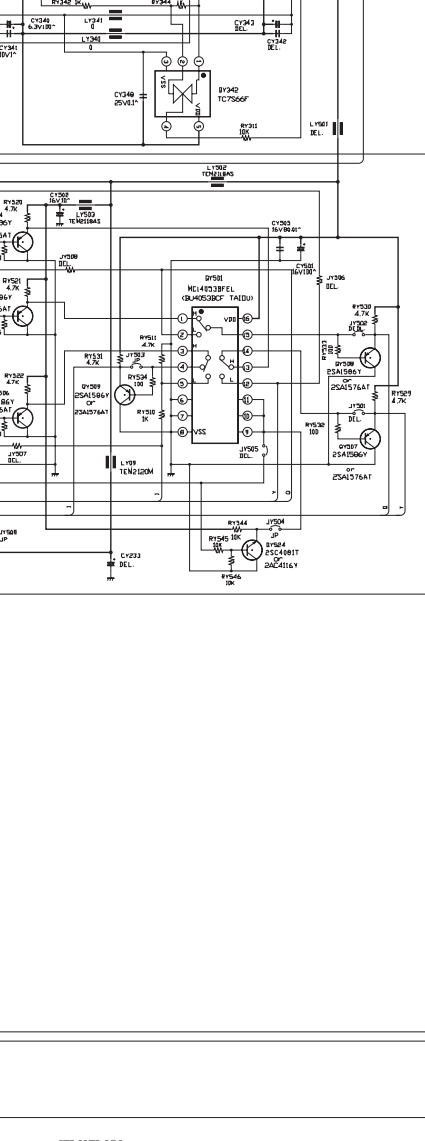




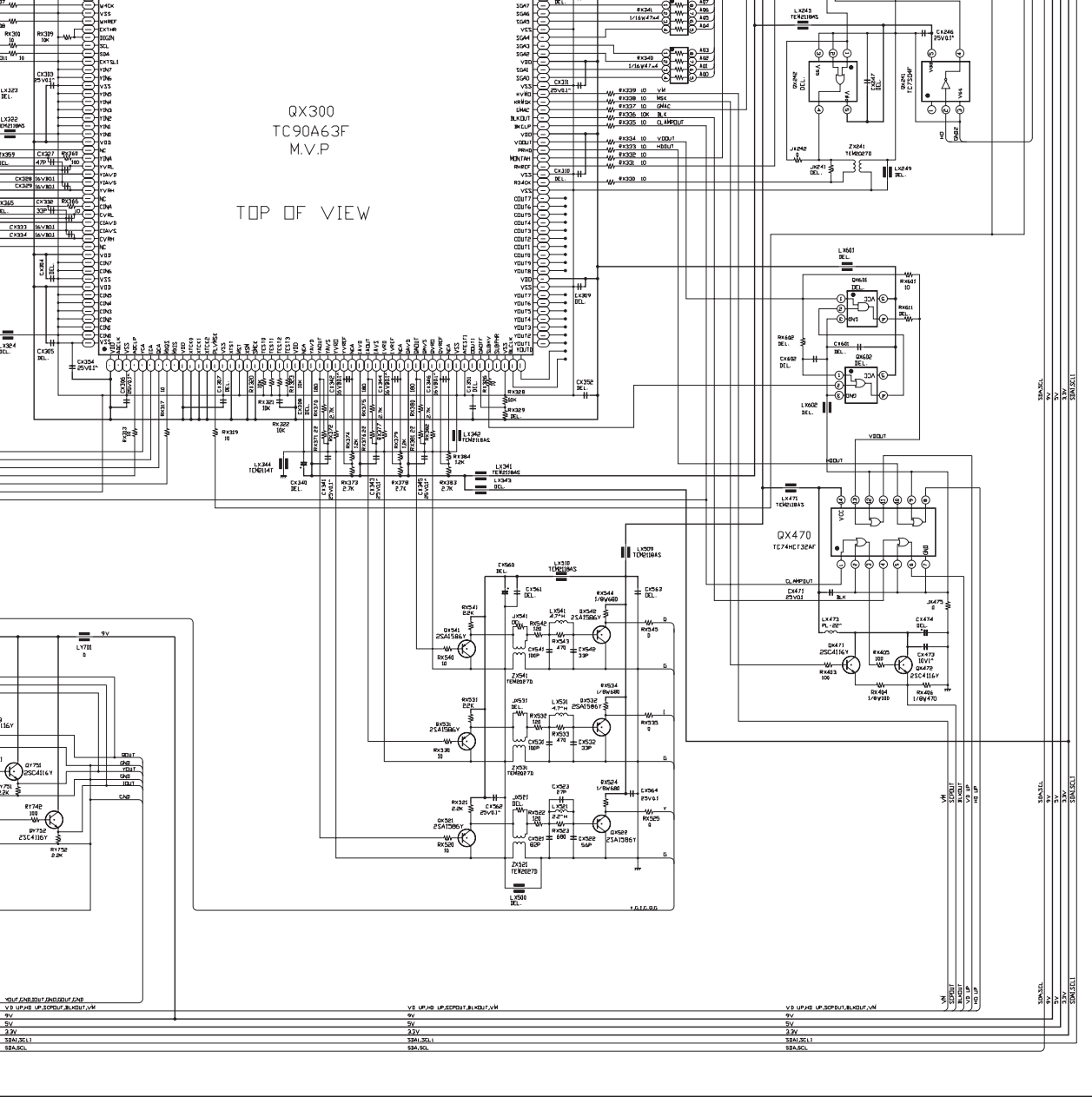
1	2	3	4	5	6
1	2	3	4	5	6
7	8	9	10	11	12
13	14	15	16	17	18
19	20	21	22	23	24
25	26	27	28	29	30
31	32	33	34	35	36
37	38	39	40	41	42
43	44	45	46	47	48
49	50	51	52	53	54
55	56	57	58	59	60
61	62	63	64	65	66
67	68	69	70	71	72
73	74	75	76	77	78
79	80	81	82	83	84
85	86	87	88	89	90
91	92	93	94	95	96
97	98	99	100	101	102
103	104	105	106	107	108
109	110	111	112	113	114
115	116	117	118	119	120
121	122	123	124	125	126
127	128	129	130	131	132
133	134	135	136	137	138
139	140	141	142	143	144
145	146	147	148	149	150
151	152	153	154	155	156
157	158	159	160	161	162
163	164	165	166	167	168
169	170	171	172	173	174
175	176	177	178	179	180
181	182	183	184	185	186
187	188	189	190	191	192
193	194	195	196	197	198
199	200	201	202	203	204
205	206	207	208	209	210
211	212	213	214	215	216
217	218	219	220	221	222
223	224	225	226	227	228
229	230	231	232	233	234
235	236	237	238	239	240
241	242	243	244	245	246
247	248	249	250	251	252
253	254	255	256	257	258
259	260	261	262	263	264
265	266	267	268	269	270
271	272	273	274	275	276
277	278	279	280	281	282
283	284	285	286	287	288
289	290	291	292	293	294
295	296	297	298	299	300



Pin	Signal Name	Notes
0	5V	5V SUPPLY
1	NC	NO CONNECT
2	NC	NO CONNECT
3	NC	NO CONNECT
4	NC	NO CONNECT
5	NC	NO CONNECT
6	NC	NO CONNECT
7	NC	NO CONNECT
8	NC	NO CONNECT
9	NC	NO CONNECT
10	NC	NO CONNECT
11	NC	NO CONNECT
12	NC	NO CONNECT
13	NC	NO CONNECT
14	NC	NO CONNECT
15	NC	NO CONNECT
16	NC	NO CONNECT
17	NC	NO CONNECT
18	NC	NO CONNECT
19	NC	NO CONNECT
20	NC	NO CONNECT
21	NC	NO CONNECT
22	NC	NO CONNECT
23	NC	NO CONNECT
24	NC	NO CONNECT
25	NC	NO CONNECT
26	NC	NO CONNECT
27	NC	NO CONNECT
28	NC	NO CONNECT
29	NC	NO CONNECT
30	NC	NO CONNECT
31	NC	NO CONNECT
32	NC	NO CONNECT
33	NC	NO CONNECT
34	NC	NO CONNECT
35	NC	NO CONNECT
36	NC	NO CONNECT
37	NC	NO CONNECT
38	NC	NO CONNECT
39	NC	NO CONNECT
40	NC	NO CONNECT
41	NC	NO CONNECT
42	NC	NO CONNECT
43	NC	NO CONNECT
44	NC	NO CONNECT
45	NC	NO CONNECT
46	NC	NO CONNECT
47	NC	NO CONNECT
48	NC	NO CONNECT
49	NC	NO CONNECT
50	NC	NO CONNECT
51	NC	NO CONNECT
52	NC	NO CONNECT
53	NC	NO CONNECT
54	NC	NO CONNECT
55	NC	NO CONNECT
56	NC	NO CONNECT
57	NC	NO CONNECT
58	NC	NO CONNECT
59	NC	NO CONNECT
60	NC	NO CONNECT
61	NC	NO CONNECT
62	NC	NO CONNECT
63	NC	NO CONNECT
64	NC	NO CONNECT
65	NC	NO CONNECT
66	NC	NO CONNECT
67	NC	NO CONNECT
68	NC	NO CONNECT
69	NC	NO CONNECT
70	NC	NO CONNECT
71	NC	NO CONNECT
72	NC	NO CONNECT
73	NC	NO CONNECT
74	NC	NO CONNECT
75	NC	NO CONNECT
76	NC	NO CONNECT
77	NC	NO CONNECT
78	NC	NO CONNECT
79	NC	NO CONNECT
80	NC	NO CONNECT
81	NC	NO CONNECT
82	NC	NO CONNECT
83	NC	NO CONNECT
84	NC	NO CONNECT
85	NC	NO CONNECT
86	NC	NO CONNECT
87	NC	NO CONNECT
88	NC	NO CONNECT
89	NC	NO CONNECT
90	NC	NO CONNECT
91	NC	NO CONNECT
92	NC	NO CONNECT
93	NC	NO CONNECT
94	NC	NO CONNECT
95	NC	NO CONNECT
96	NC	NO CONNECT
97	NC	NO CONNECT
98	NC	NO CONNECT
99	NC	NO CONNECT
100	NC	NO CONNECT



50P045COP-V2.PDS	Y5L0.DWG (121) (EN) 6.03.00	Y5L0.DWG (121) (EN) 6.03.00	Y5L0.DWG (121) (EN) 6.03.00
V2.IP4B.UP.SCPD0.B.IGD.U.V1	V2.IP4B.UP.SCPD0.B.IGD.U.V1	V2.IP4B.UP.SCPD0.B.IGD.U.V1	V2.IP4B.UP.SCPD0.B.IGD.U.V1
5V	5V	5V	5V
3.3V	3.3V	3.3V	3.3V
SBA.SCL1	SBA.SCL1	SBA.SCL1	SBA.SCL1
SBA.SCL	SBA.SCL	SBA.SCL	SBA.SCL



HYPER PB9584

- HYPER
- | | | |
|--------|-------|-------|
| 61HX70 | 61H70 | 65H80 |
| 55HX70 | 55H70 | 56H80 |
| 50HX70 | 43H70 | 40H80 |
| 43HX70 | | |