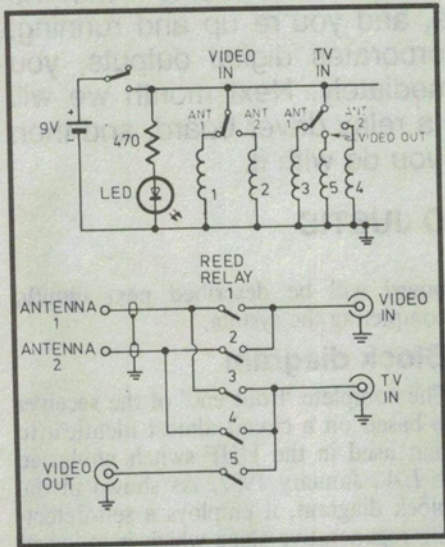


TV antenna switching

This circuit permits TV antennas to be switched without losses or crosstalk occurring. It was developed to overcome the need to swap plugs every time the video recorder was being used to record one program while the TV was used to display another. The alternative of swapping plugs was not highly regarded by the family, hence this circuit.

The circuit uses encapsulated glass reed switches, available from Dick Smith Electronics. The unit is powered by a 9V battery, which operates the selected coils to switch the reeds. The case was made of tin plate and all aerial wiring was self supporting, as thick tinned copper wire was used. The wiring was used to support the reed relays, which were spaced to minimise crosstalk.

This system could be adapted to 300 ohm cable, but the circuit shown is for 75 ohm co-ax.



Martin Elliot,
Parkville, NSW

\$30