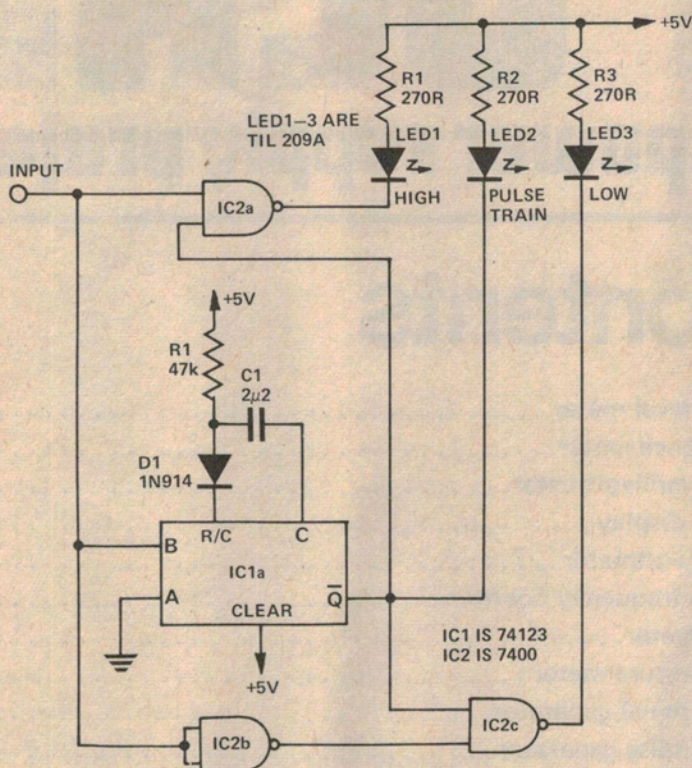


# Ideas for experimenters



## TTL Logic Probe

This two-IC circuit indicates one of three states: 1) high 2) low or 3) pulse train at greater than 40 Hz. IC1a is a monostable and with the component values given, the Q output will be high for as long as there is a pulse train present with a frequency of 40 Hz or greater. The 7400 buffers the input to the LEDs and its logic prevents either the 'high' or 'low' LED from being lit when a pulse train is present.

## CDI for Positive Earth

The CDI Mk II ignition published in the May 77 issue has been designed for negative earth cars. Attempting to install it in positive earth vehicles by reversing the supply connections will lead to problems caused by SCR1 triggering as C3 is discharged (ie as the contact points close, and not as they open).

This modification provides a solution by discharging C3 through transistor Q3 which conducts when the points open. Any general purpose PNP transistor capable of sinking 200mA (eg BC212, BC214L) will do.

