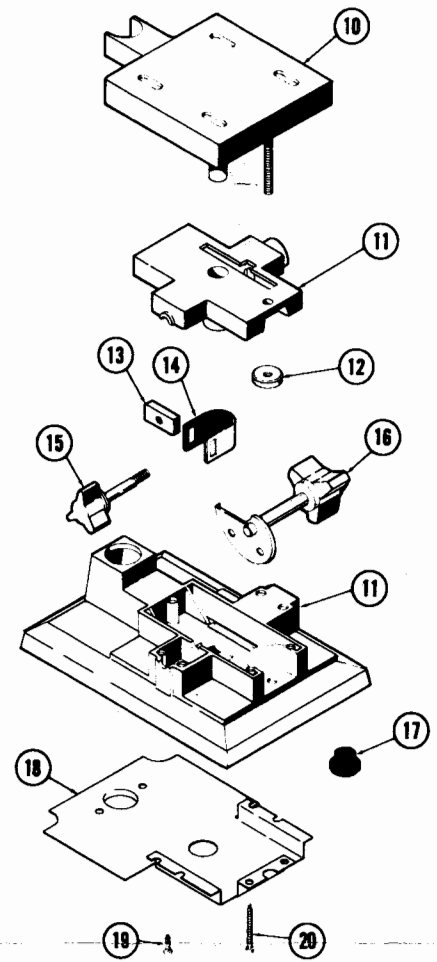
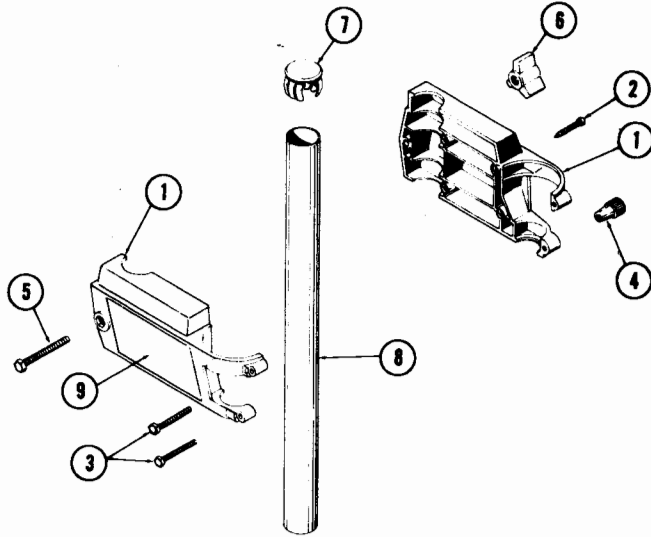


# DREMEL® MODEL 210 DRILL PRESS



Qty.	Code No.	Part No.	Description
	1	990860	Head (Set)
	2	990861	Head Screws (4)
	3	990862	Clamp Screws <sup>1 Short</sup> <sub>1 Long</sub>
	4	990863	Clamp Knobs (2)
	5	600025	Post Clamp Screw
	6	600017	Post Clamp Knob
	7	600671	Post End Cap
	8	600679	Post
	9	990864	Nameplate
	10	990472	Table Assembly

Qty.	Code No.	Part No.	Description
	11	990865	Base & Base Cover
	12	990469	Table Stop Nut
	13	600022	Table Lock Nut
	14	600019	Table Lock Strap
	15	990866	Table Lock Knob (Comp.)
	16	990475	Cam & Shaft Assembly
	17	990867	Rubber Feet (4)
	18	600041	Base Plate
	19	990868	Base Screws (2)
	20	990870	Base Screws (7)

**WRITE FOR CURRENT PRICES - NO C.O.D.'S**

## UNITED STATES

Dremel Service Center, 4915 Twenty-first St., Racine, WI 53406  
Dremel Service Center, 1345 Calle De Maria, Palm Springs, CA 92262

See your local distributor or write to Dremel Mfg. Co.  
4915 Twenty-first St., Racine, Wis. 53406

## EASTERN CANADA

Giles Tool Agencies, 47 Granger Ave., Scarborough, Ont., CANADA M1K 3L1

## WESTERN CANADA

Totem Tools & Eq., Ltd., 3851 Main St., Vancouver, B.C., CANADA V5V-3P1

**DREMEL®**  
DIV. OF EMERSON ELECTRIC CO.  
Form 600035 15 1279 10

4915 21st STREET

RACINE, WISCONSIN 53406 U.S.A.

PRINTED IN U.S.A.