

# General Purpose "5" OSCILLOSCOPE

## Wired and Kit

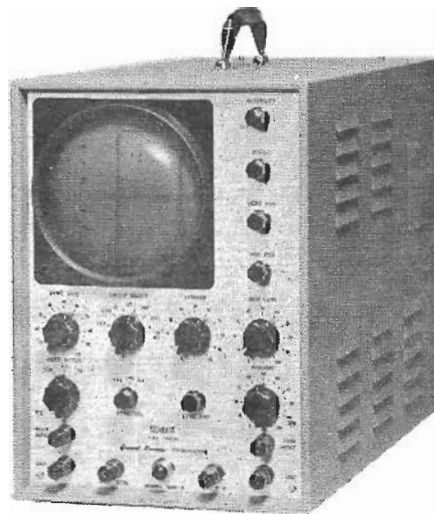
### Features

- Freq. Response Within 6 db to 2 mc.
- Three Position Attenuator
- Cathode Follower Input
- Built in Source 1 Volt Peak to Peak

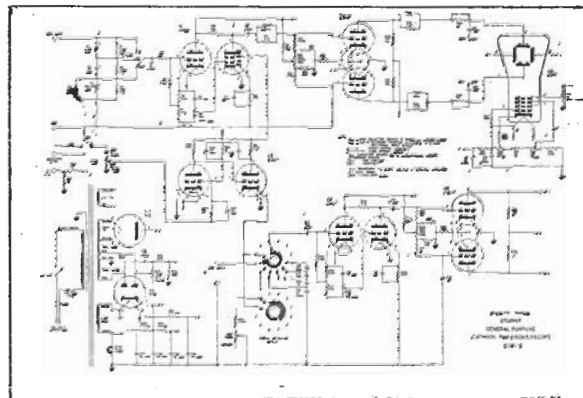
The STARKIT MODEL OSK-3 Oscilloscope is specifically designed to provide versatility and reliability for the educator and in many industrial applications requiring low cost equipment of adequate quality for general purpose use by engineers and technicians in the design and maintenance of electronic circuitry and quality control. Ideal when the more expensive wide band oscilloscope is not a requirement.

The oscilloscope has a three position Vertical input attenuator... push pull operation with adequate vertical positioning and extremely wide horizontal positioning... phasing control... built in 1 volt peak to peak test voltage accurately calibrated available at front of panel... Direct access to vertical plates through terminal screws on side of cabinet... facility for external sync. input.

Built for rugged use the OSK-3 is housed in a sturdy "New look" steel case with a smart buff grey crackle finish and with etched aluminum satin finished panel. The practical design and cost of the OSK-3 offers to the educator, technician, and industry an oscilloscope for general purpose use with low hum... stability... versatile performance to meet every budget.



Starkit Model OSK-3



### Specifications

#### VERTICAL AMPLIFIER

Sensitivity: .090 volts (RMS) per inch at 1KC.  
 Frequency Response: + 3 db. from 4 c. p. s. to 1.2 mc. and + 6 db. from 3 c. p. s. to 2 mc.  
 Rise Time: 0.25 microseconds.  
 Input Impedance: (a) Attenuator at X1. 3 Megohms/20 mmfd paralleled.  
 (b) Attenuator at X10 and X100. 3.3 Megohms/10 mmfd paralleled.

#### VOLTAGE CALIBRATOR

Built in source 1 volt peak to peak at line frequency, accurately calibrated input attenuator reduces signal X1, X10, and X100. Direct access to vertical deflection plates through terminal screws on the side of the cabinet.

MADE IN CANADA

#### HORIZONTAL AMPLIFIER

Sensitivity: 0.275 volts (RMS) per inch at 1KC.  
 Frequency Response: + db. from 2 c. p. s. to 425 KC and + 6 db. from 1 c. p. s. to 650 KC.  
 Input Impedance: 10 Megohms shunted by 25 mmfd.

#### PHASING CONTROL

Controlled phase shift for line sweep applications, variable from 0-150 deg.

#### SWEEP GENERATOR

Range: From 20 c. p. s. to 150 KC  
 4 steps.

#### MAXIMUM INPUT VOLTS

400 Volts peak to peak.

#### TUBE COMPLEMENT

- 1) 5U1 (Cathode Ray Tube)
- 1) 1V2 high voltage rectifier,
- 1) 6X4 low voltage rectifier
- 1) 12AX7 Sweep Multivibrator.
- 1) 12BH7 Vertical deflection amplifier.
- 1) 6BA8 Vertical Cathode follower and Vertical Amplifier.
- 2) 12AU7 Horizontal Cathode follower, horizontal amplifier and horizontal deflection amplifier.

#### POWER REQUIREMENTS

110 Volts 60 cycles, 65 watts.

#### DIMENSIONS & WEIGHT

9-1/2" wide, 13-1/8" high, 18" deep.  
 25 pounds.

**STARK**

# Starkit Model OSK-3

