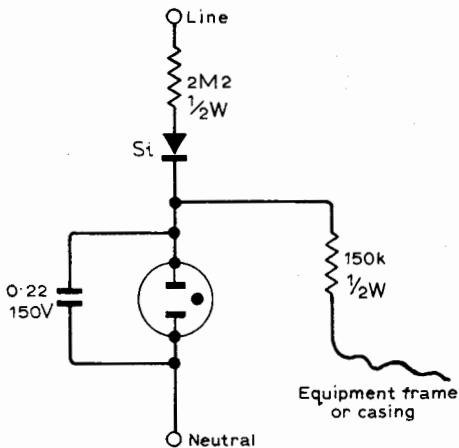


Earth warning indicator



This simple circuit gives a warning if the earth wire is disconnected from the chassis of an instrument. It is particularly useful for oscilloscopes which may be left in a hazardous state when the earth wire is purposely disconnected to avoid hum loops etc.

The neon is normally extinguished, and flashes if the earth is not connected.
R. H. Troughton,
Gatwick Airport, Surrey.