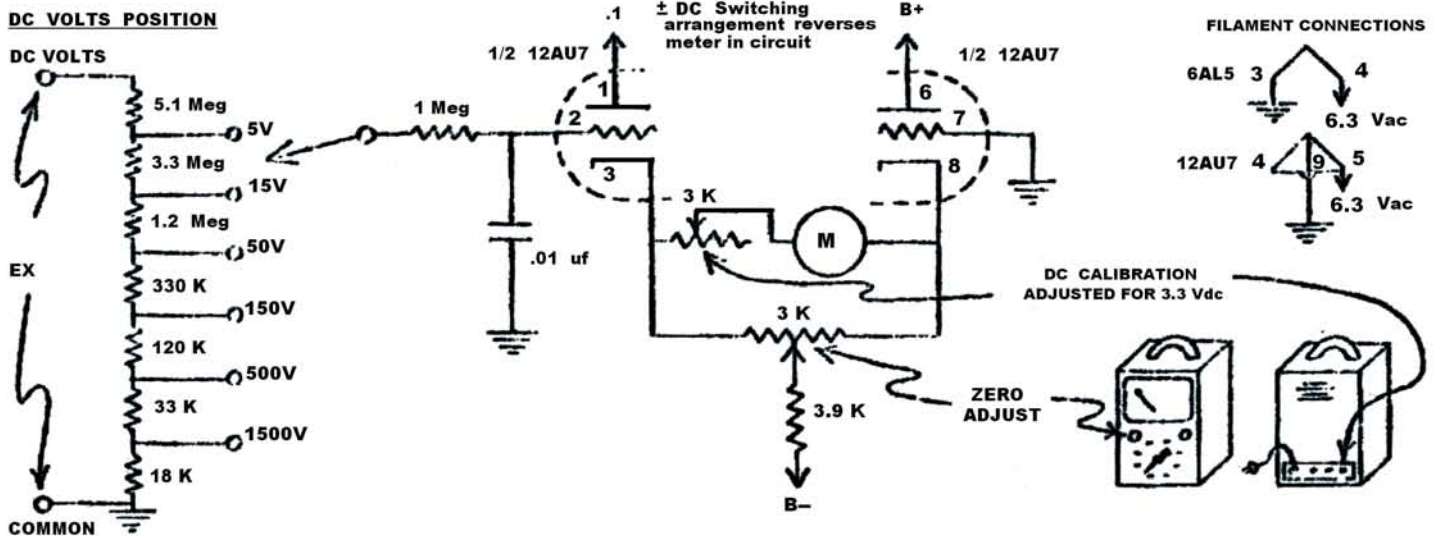


DEVRY
MODEL 1S14
VTVM

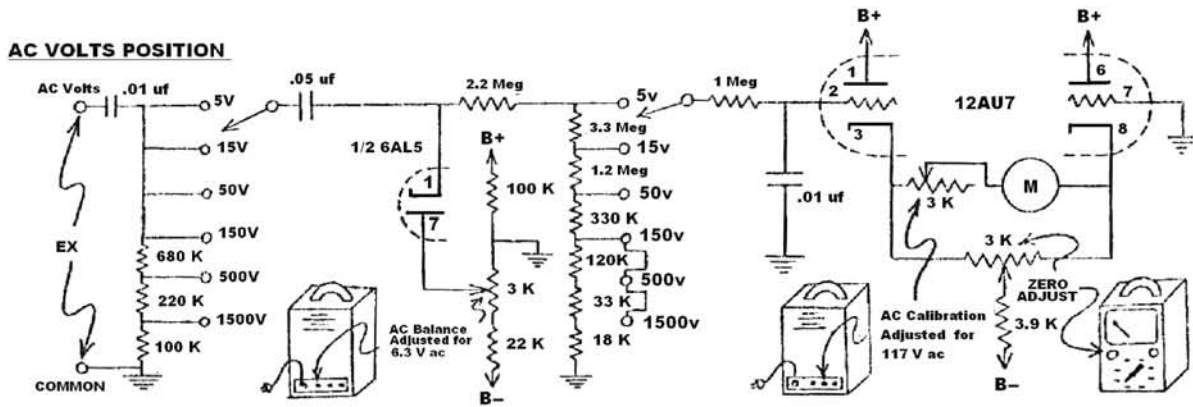
DEVRY TECHNICAL INSTITUTE
MODEL 1S14 VTVM

SCHEMATIC BREAKDOWN OF VTVM IN THE DIFFERENT TEST POSITIONS



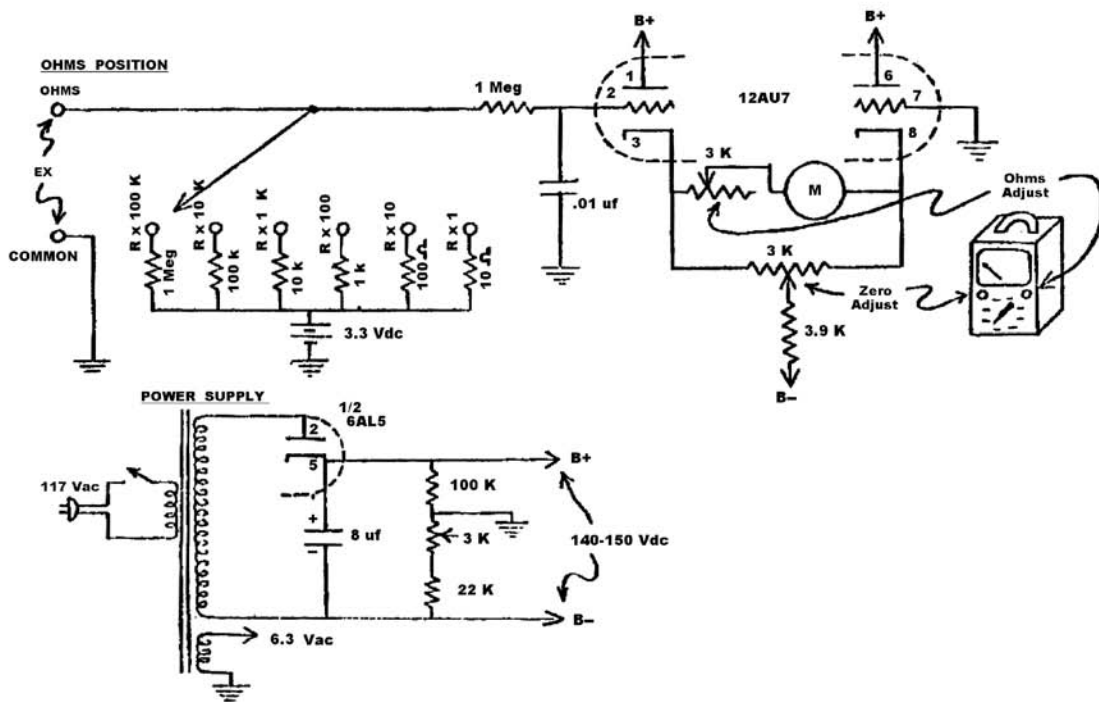
DEVRY TECHNICAL INSTITUTE
MODEL 1S14 VTVM

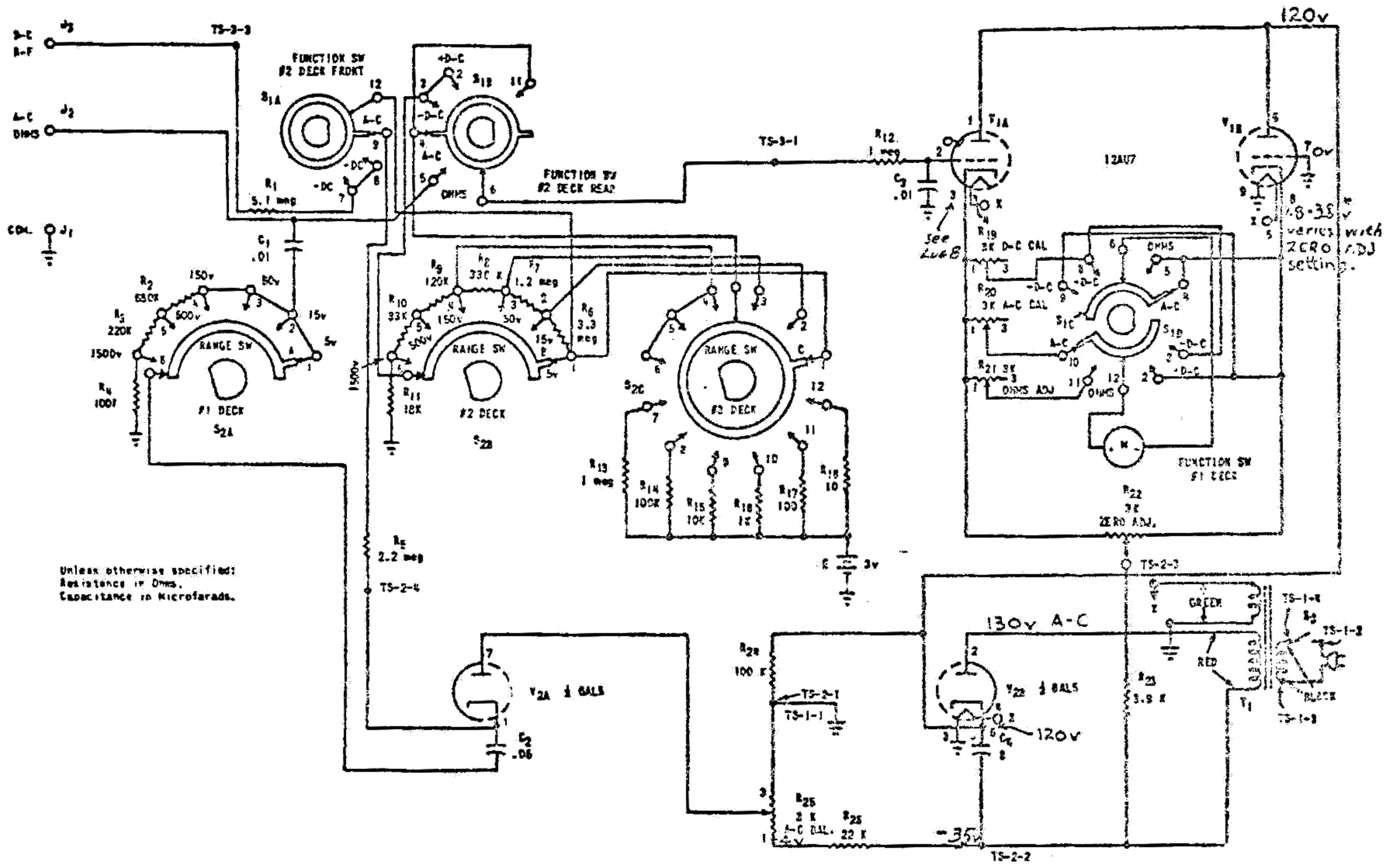
SCHEMATIC BREAKDOWN OF VTVM IN THE DIFFERENT TEST POSITIONS



DEVRY TECHNICAL INSTITUTE
MODEL 1S14 VTVM

SCHEMATIC BREAKDOWN OF VTVM IN THE DIFFERENT TEST POSITIONS

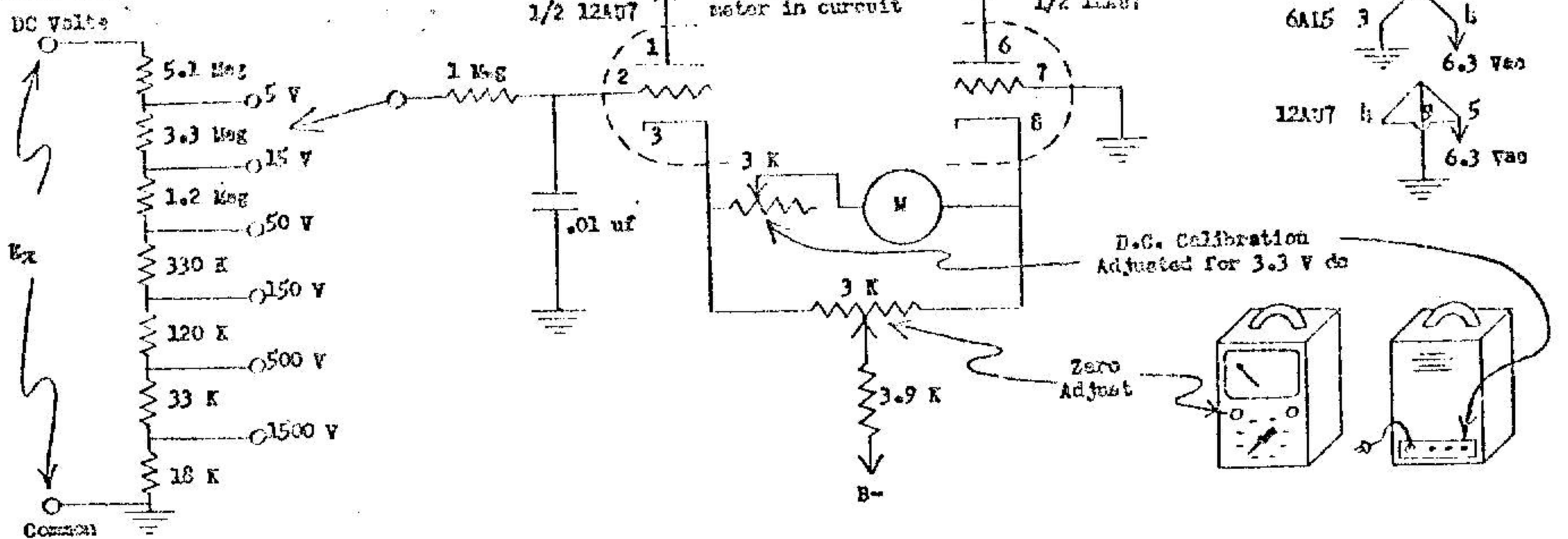




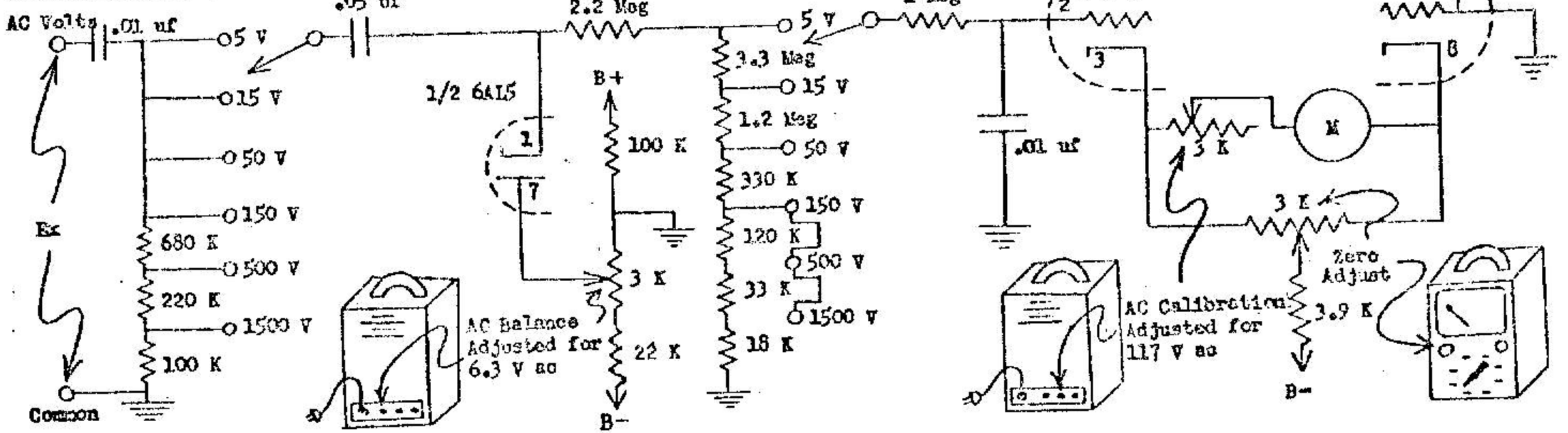
Vacuum Tube Volt Meter Model 1514

SCHEMATIC BREAKDOWN OF V.T.V.M. IN THE DIFFERENT TEST POSITIONS

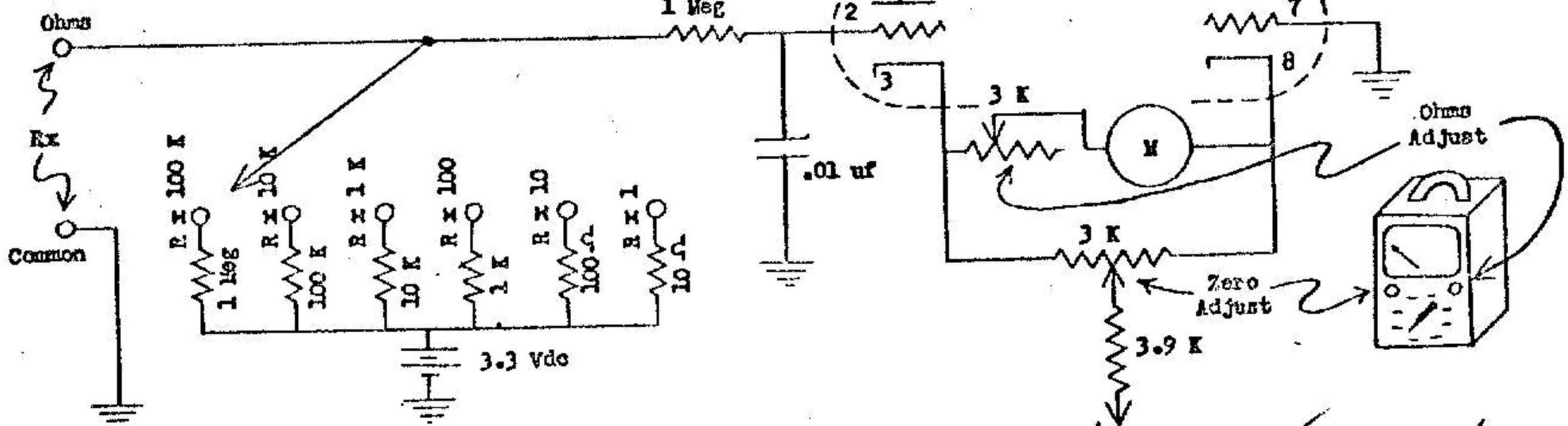
DC VOLTS POSITION



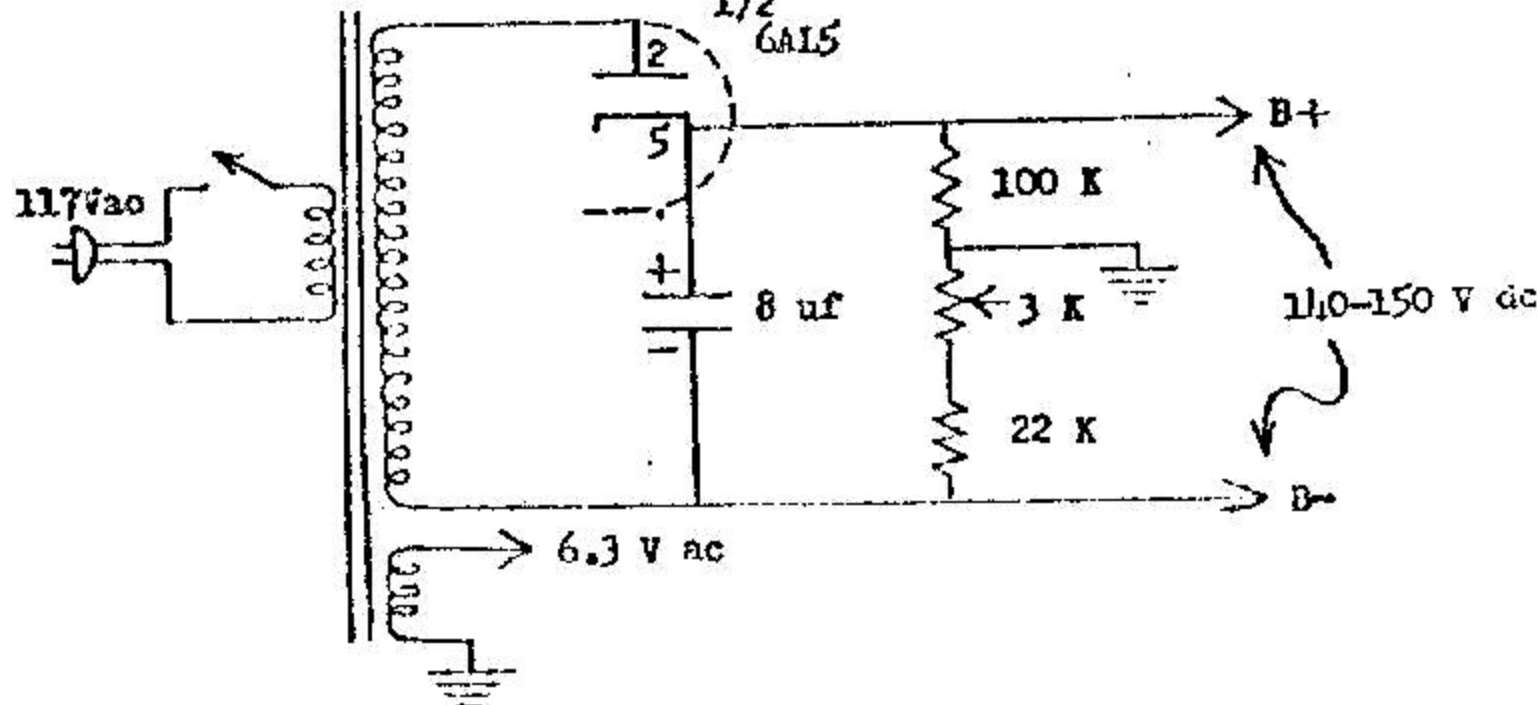
AC VOLTS POSITION



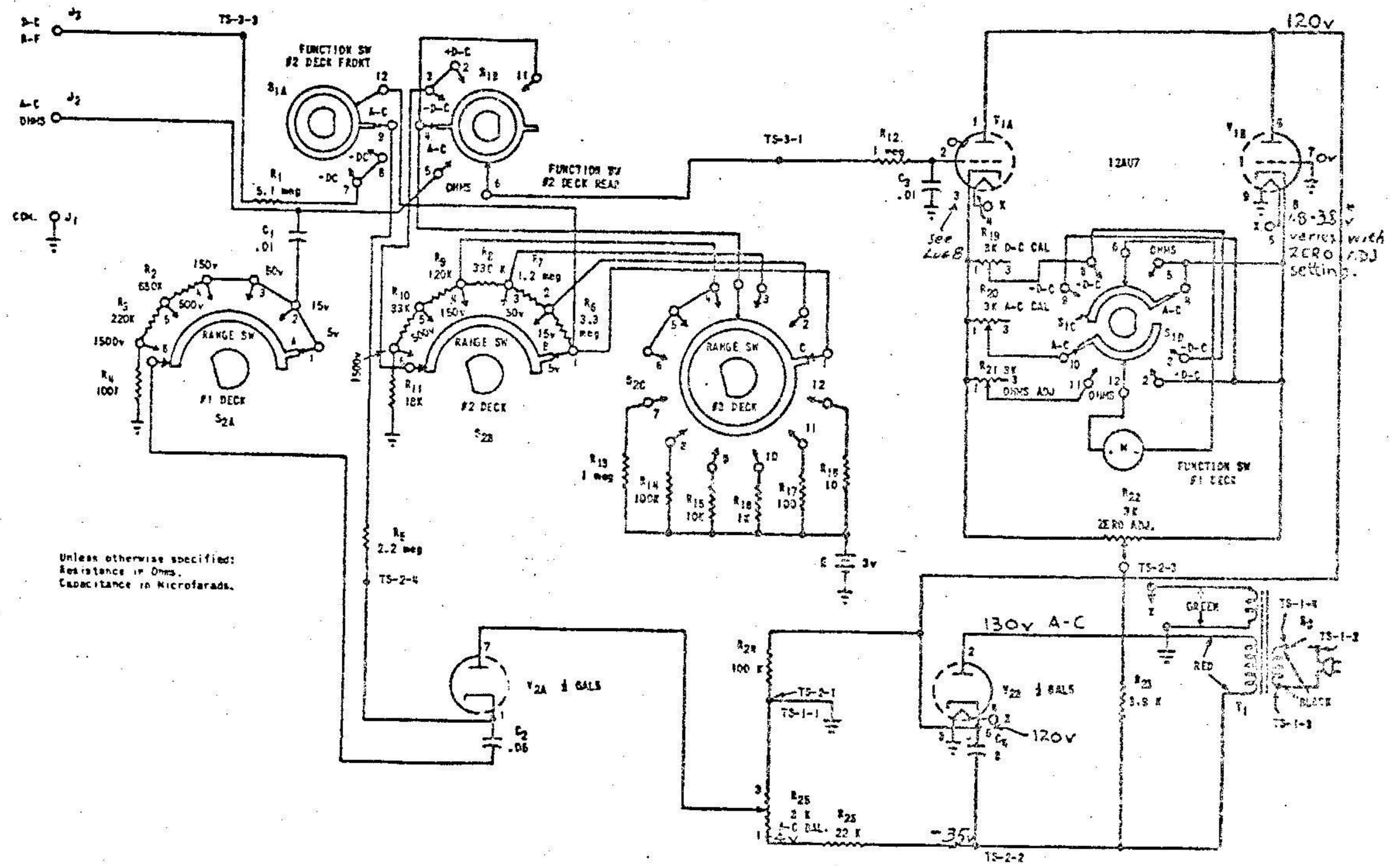
OHMS POSITION



POWER SUPPLY



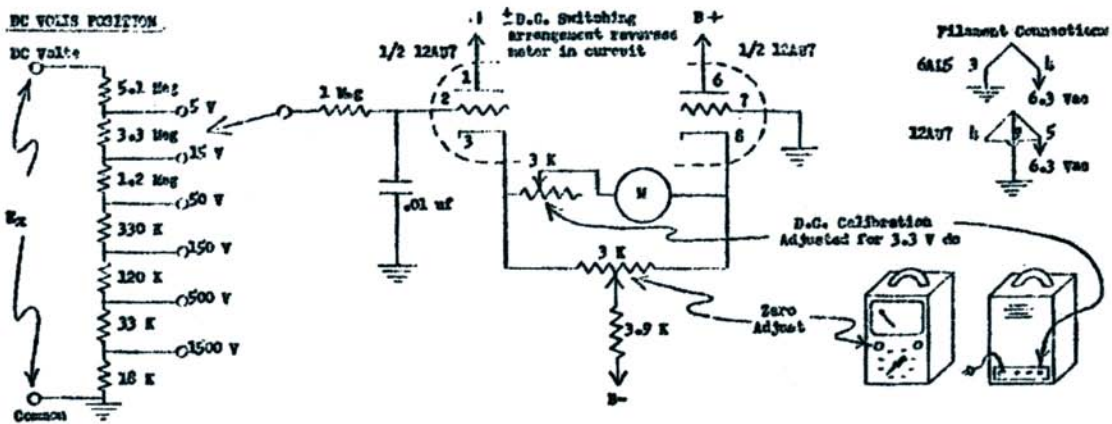
Handwritten notes:
710
10/10/11



Vacuum Tube Volt Meters Model 1514

SCHEMATIC BREAKDOWN OF V.T.V.M. IN THE DIFFERENT TEST POSITIONS

DC VOLTS POSITION



AC VOLTS POSITION

