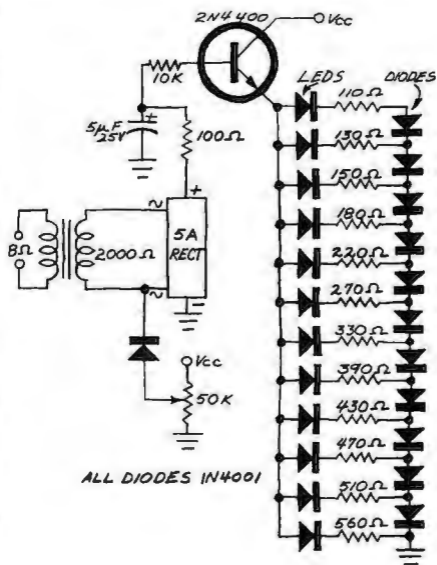


INEXPENSIVE ALTERNATIVE

Congratulations on presenting "A LED-Readout Audio Power Meter" (March 1976). I have been using a similar device for almost a year. While it may not be as accurate as the one presented in POPULAR ELECTRONICS, it costs only about \$12 to build. The schematic for my "poor man's" LED VU meter is shown below. The trimmer



potentiometer and diode between the transformer and rectifier assembly are optional. If used, however, they will compensate for the initial forward drop of the diode junctions.

—Bertram A. Thiel, Frostburg, MD.