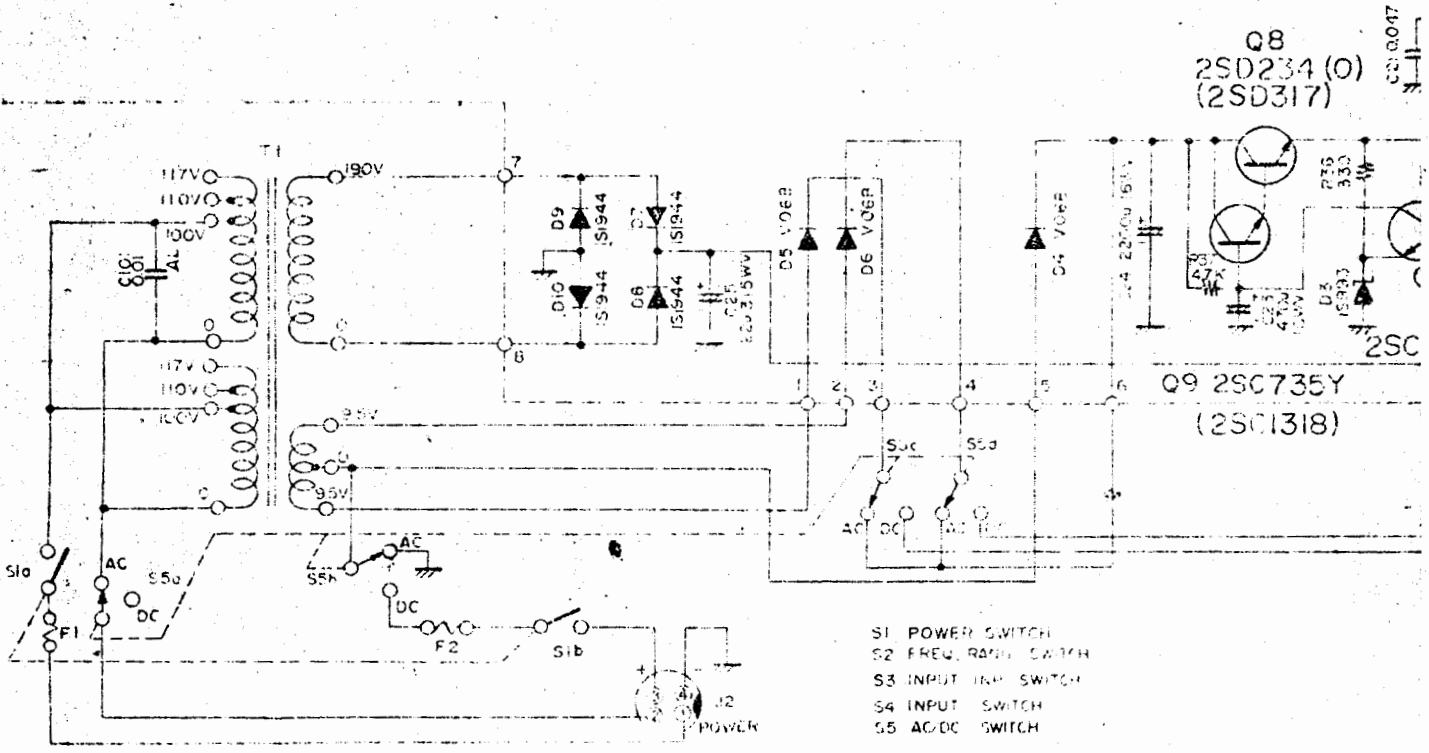
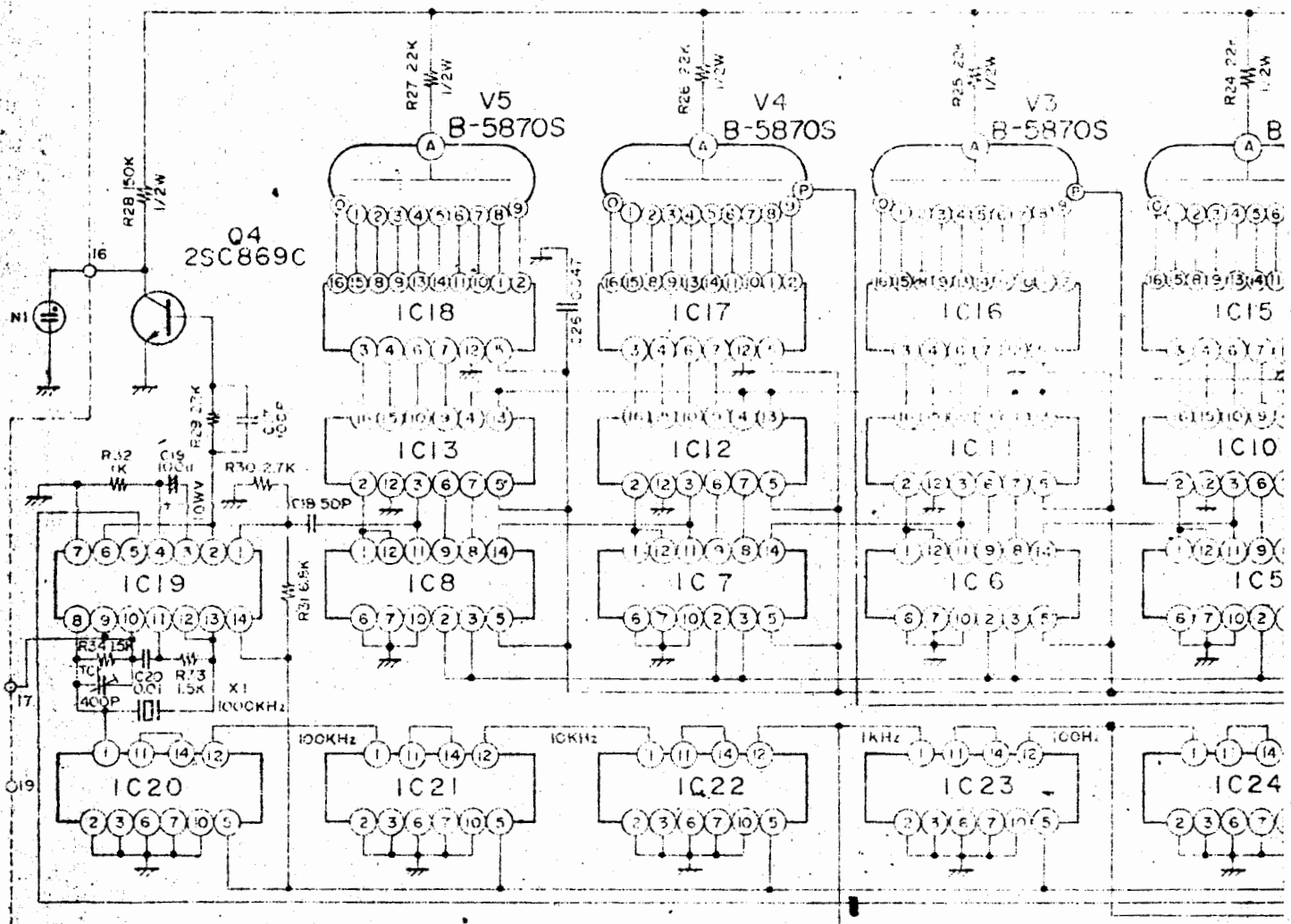
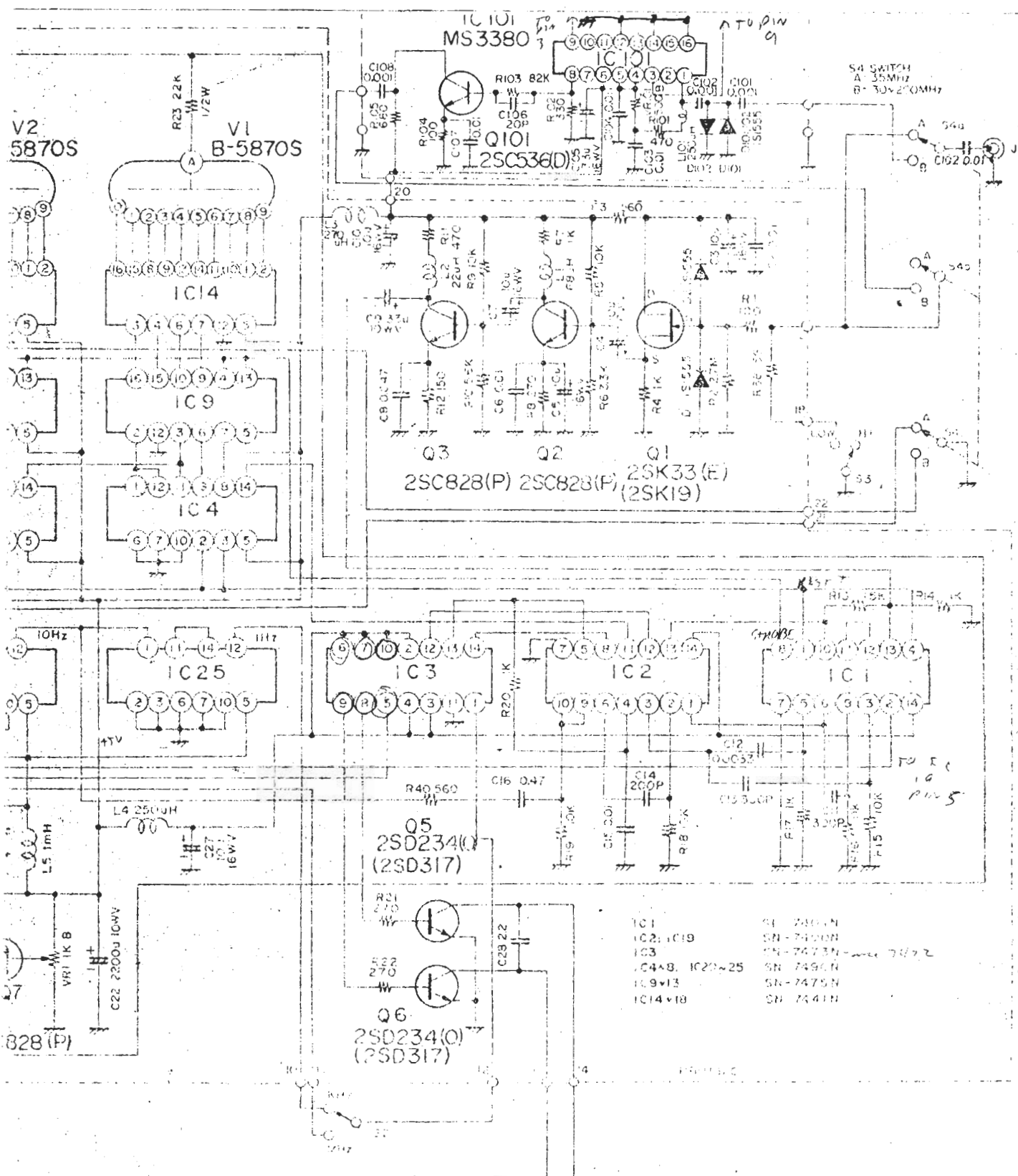


NOTES:
 1. ALL RESISTORS IN OHM 1/4W 10%
 UNLESS OTHERWISE NOTED.
 2. ALL CAPACITORS IN uF
 UNLESS OTHERWISE NOTED.

YC - 355D
 SCHEMATIC DIAGRAM

- | | |
|----------------|----------|
| IC1 | SN-7400N |
| IC2, IC19 | SN-7400N |
| IC3 | SN-7475N |
| IC4-8, IC20-25 | SN-7490N |
| IC9-13 | SN-7475N |
| IC14-18 | SN-7441N |

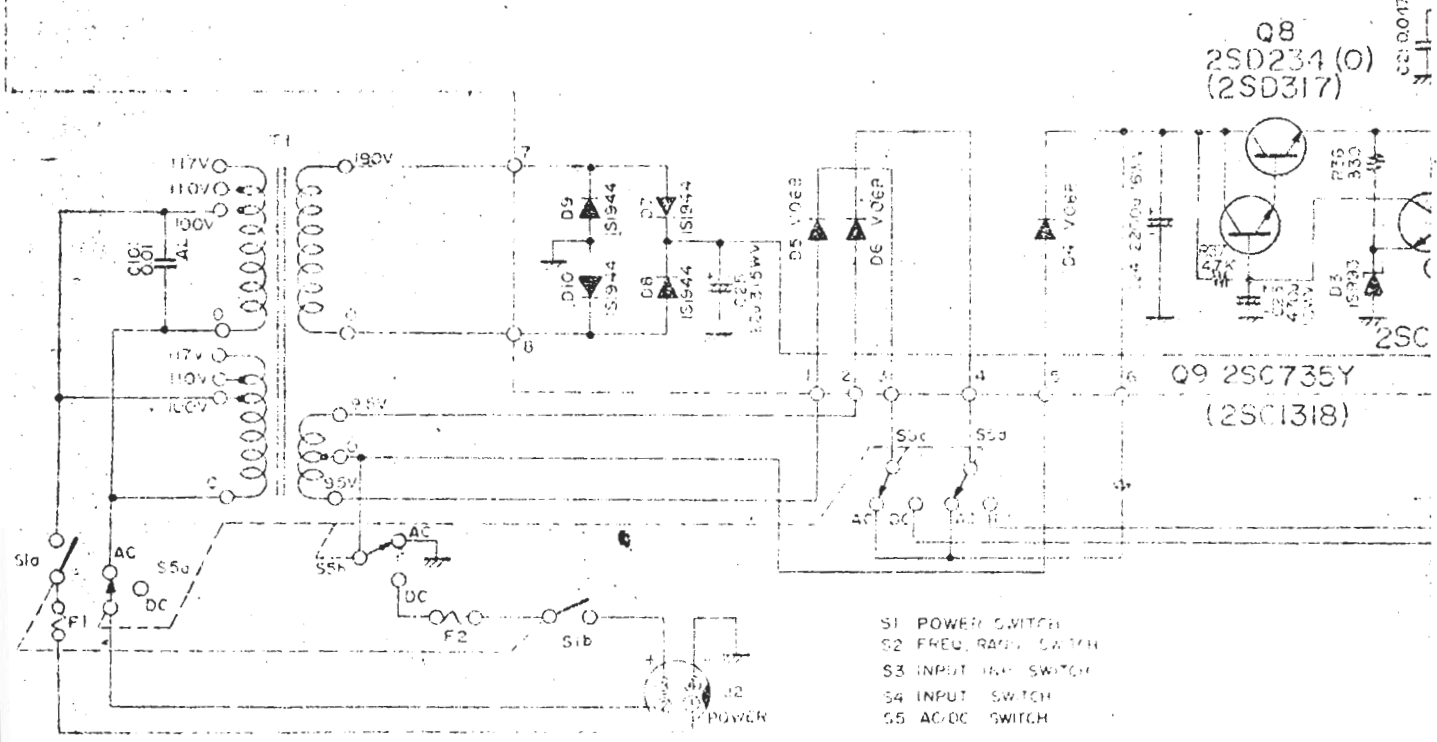
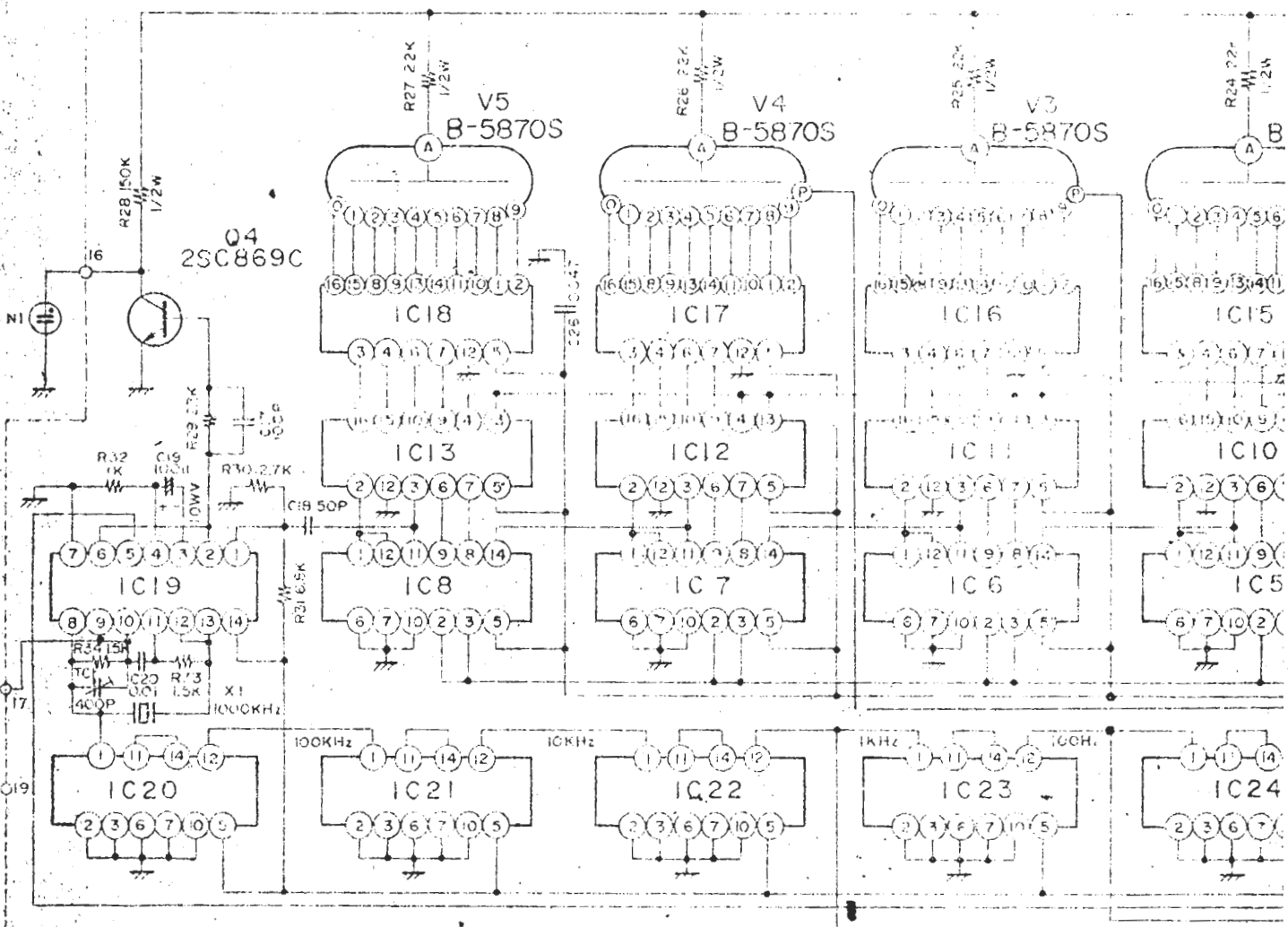




NOTES:
 1. ALL RESISTORS IN OHM 1/4W 10%
 UNLESS OTHERWISE NOTED.
 2. ALL CAPACITORS IN uF
 UNLESS OTHERWISE NOTED.

YC-355D
 SCHEMATIC DIAGRAM

- | | |
|----------------------|----------------|
| IC1 | SN-74C01N |
| IC2, IC18 | SN-74C00N |
| IC3 | SN-74C00N-7472 |
| IC4, IC8, IC20, IC25 | SN-74C00N |
| IC9, IC13 | SN-74C00N |
| IC14, IC18 | SN-74C00N |



- S1 POWER SWITCH
- S2 FREQ. RANGE SWITCH
- S3 INPUT RANGE SWITCH
- S4 INPUT SWITCH
- S5 AC/DC SWITCH