

AC RADIO KIT Kit Only

Features

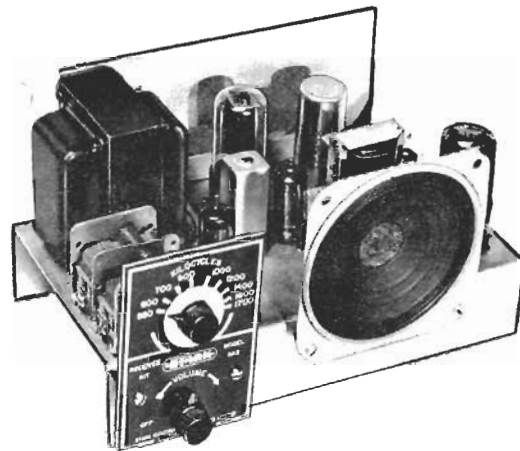
- High Gain IF Transformer
- 5 Tube Superheterodyne Circuit
- 4" Permanent Magnet Speaker
- Pretuned IF & Oscillator Coils

The STARKIT Model 5A-3 provides you with a complete construction project in one compact package. Without sacrificing performance or quality, it allows the beginner to build an AC radio receiver fully capable of providing listening enjoyment day after day, year in and year out.

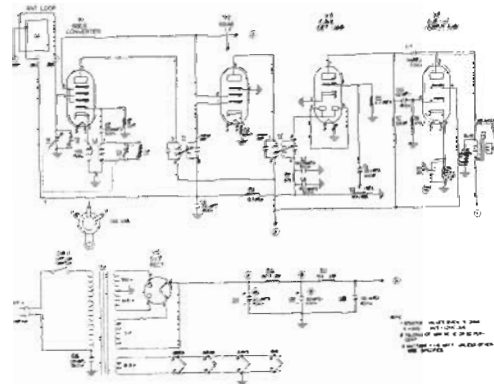
The step-by-step assembly instructions included with each kit are clear and concise, complete with large pictorial and schematic diagrams that assure you of assembling ease. All parts are neatly packaged in bags and labeled as to their contents . . . including tubes, wire and solder. The modern Roxatone finished cabinet is optional.

Once assembled, you will be the proud owner of a fine 5-tube superheterodyne receiver complete with 4" Permanent Magnet Speaker, High-Gain IF Transformer and built-in Loop Antenna, that will operate perfectly with fine tone quality and good selectivity over a broadcast band from 550 KC to 1600 KC.

The STARKIT Model 5A-3 was specially designed for students embarking in the field of Electronics. The simplicity of layout and ease of access to all parts make it ideal for "your first kit". Many schools are now using this kit, should you want to use it in your school, write the factory or contact your nearest distributor for quantity prices.



MODEL 5A 3



Specifications

FREQUENCY RANGE

550 KC to 1600 KC

POWER TRANSFORMER

Primary 110 and 220 ACV, Secondary 3 windings (a) high voltage (b) 5V rectifier filament voltage (c) 6.3 filament voltage.

OUTPUT TRANSFORMER

Primary 5000 ohms
Secondary 3.2 ohms

COILS

Pretuned IF and oscillator coils.

SPEAKER

4" permanent magnet.

POWER SOURCE

110 and 220 volt, 50 - 60 cycles.

TUBE COMPLEMENT

5Y3 Rectifier, 6BE6 Converter, 6BA6 IF Amplifier, 6AV6 Detector Amplifier, 6V6GT Output Amplifier.

CHASSIS

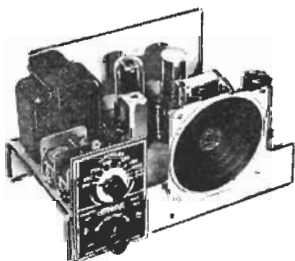
9-1/2" x 5-1/4" x 5-3/4" high

CABINET

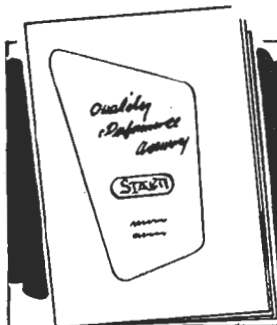
10-3/8" x 6-5/8" x 6-1/8" high

SHIP. WT.

Wt. : with cabinet 8 lbs., without 6-1/4 lbs.



Simplicity of layout and ease of access to all parts can be clearly seen in this interior view of the STARKIT Model 5A-3



French/English MANUAL

"Construction Tested"
Assembly Instructions supplied with each 5A-3 Kit. You can't go wrong.

MADE IN CANADA

E2021F9

MODEL 5A 3

