

CHAPTER 5

Typical Circuit Diagrams

Included in this chapter is a variety of schematics representing typical AM radios, AM-FM radios and stereo tuners, auto radios, tape recorders, and TV. Additional TV schematics, both color and B&W, appear in the foldout section.

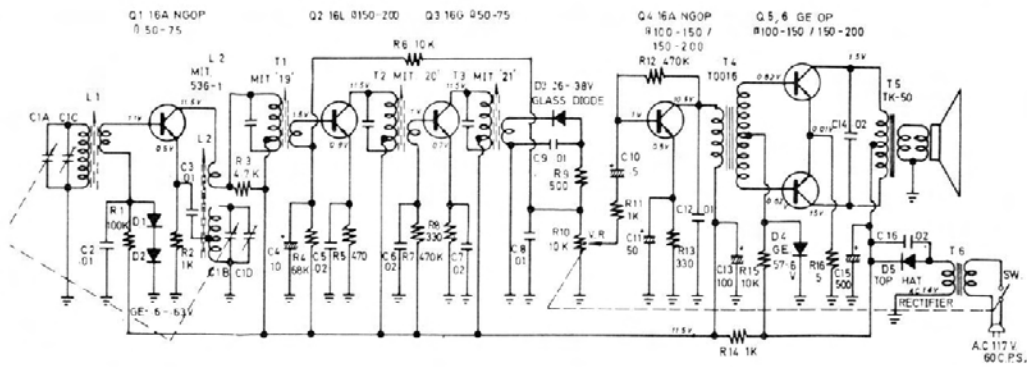


Fig. 5-1. Emerson Model 31T58 AM radio. (Courtesy Emerson TV & Radio)

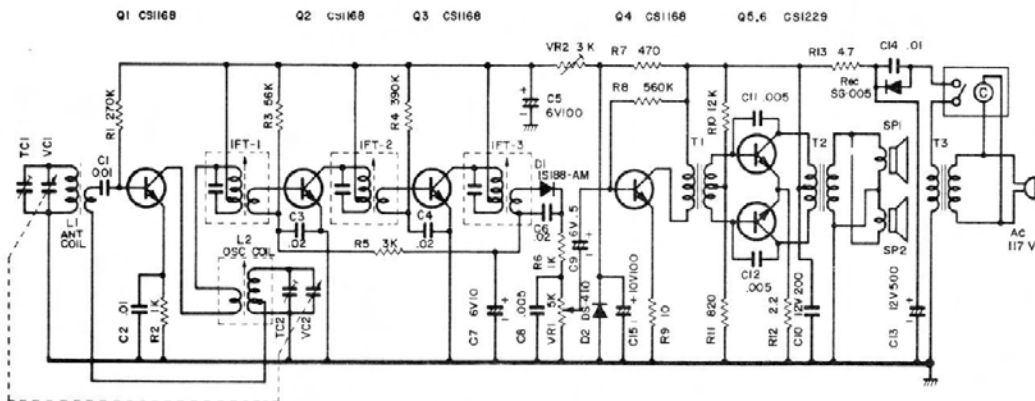


Fig. 5-2. Lloyd's Model 9J45-37A AM receiver. (Courtesy Lloyd's Electronics, Inc.)