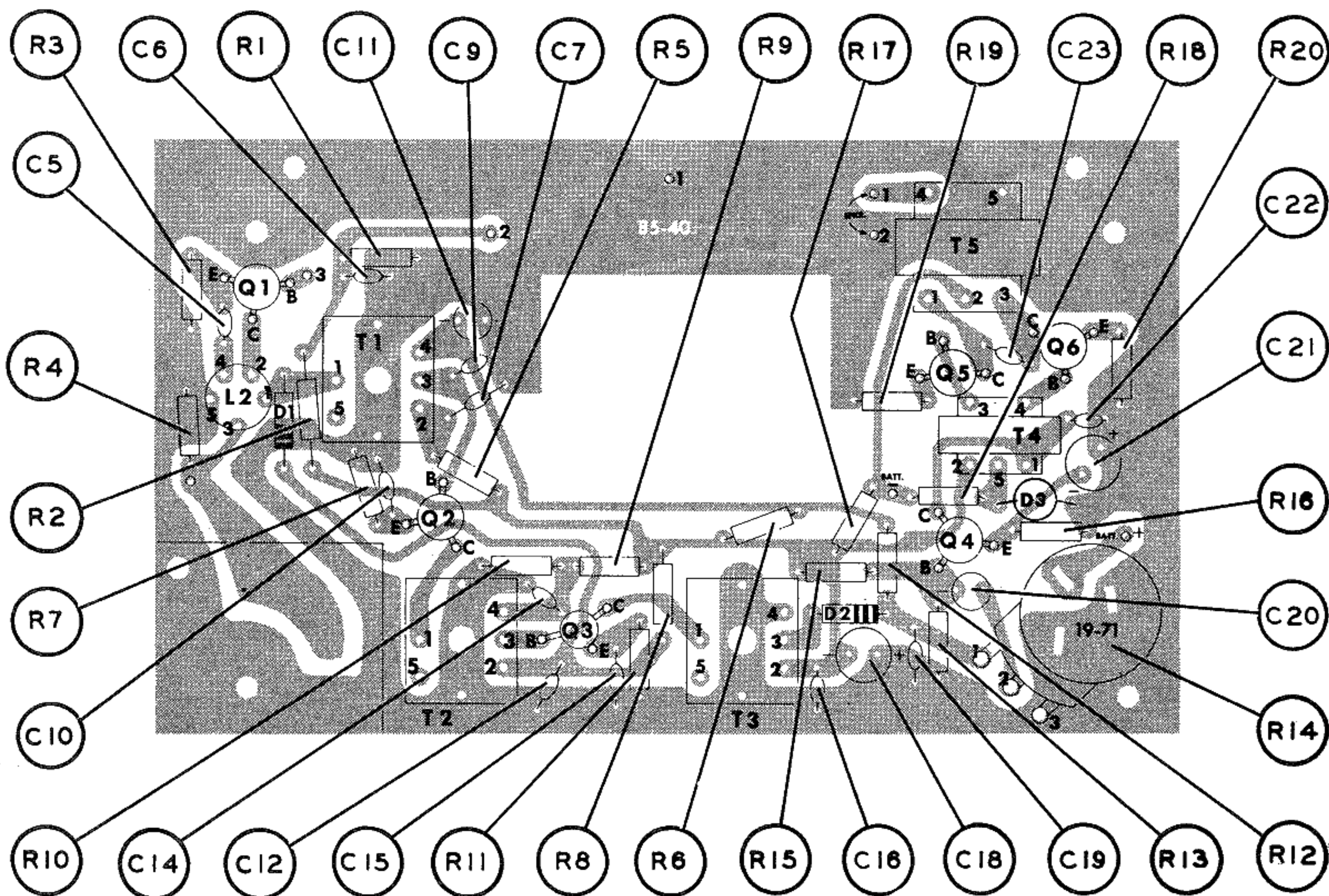
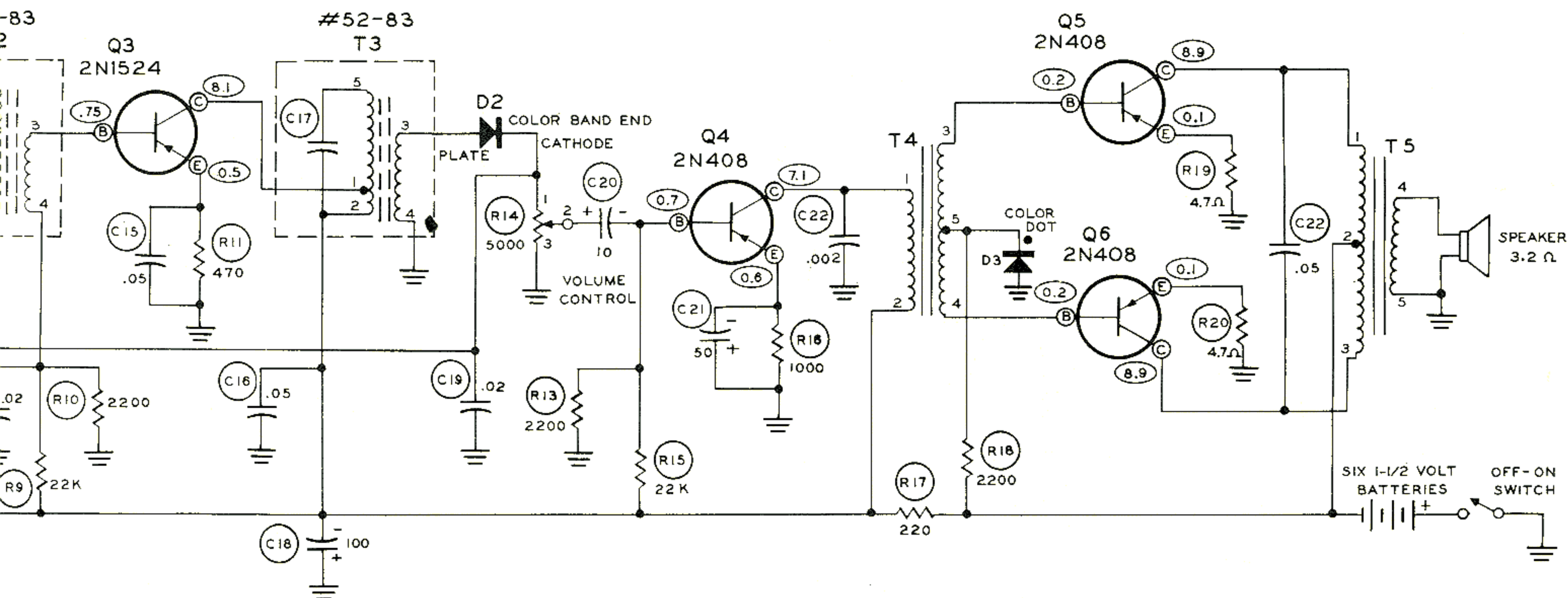


SCHEMATIC OF THE  
HEATHKIT  
PORTABLE TRANSISTOR  
RADIO  
MODEL GR-151B







**SCHEMATIC OF THE  
HEATHKIT  
PORTABLE TRANSISTOR  
RADIO  
MODEL GR-151B**

ALL RESISTOR VALUES ARE IN  $\Omega$ ; K = 1000  $\Omega$ .  
 ALL RESISTORS ARE 1/2 WATT.  
 ALL CAPACITORS ARE IN  $\mu$ fd.  
 ○ INDICATES NEGATIVE DC VOLTAGE MEASUREMENT  
 FROM POINT MARKED TO POSITIVE (+) BATTERY TERMINAL.  
 ALL VOLTAGES ARE MEASURED WITH AN 11 MEGOHM  
 IMPEDANCE VTVM, WITH NO SIGNAL.

- R20
- C22
- C21
- R16
- C20
- R14
- R12