

33 A simple short-wave receiver – Part 2

Introduction

In Part 1, the design of this receiver was discussed in some detail. Now we are going to put it all together and see how it works. The receiver is laid out on a printed-circuit board (PCB) or on a matrix board.

Construction

The layout of the components is shown in **Figure 1**. Identify each part separately, insert it into the holes in the board and solder carefully. Long leads may be cropped before or after soldering, depending on your skill and preference. All electrolytic capacitors, T1, T2 and IC1, must be connected correctly. The front-panel controls are connected to the PCB terminals shown in **Figure 1**.

The layout of the controls and the placing of the board inside the case are matters of personal preference. The size of the prototype front panel is shown in **Figure 2**. The prototype had a slow-motion drive fitted to VC2, the main tuning capacitor. This required the capacitor to be fitted on its own small panel. The bandspread control does not need any form of

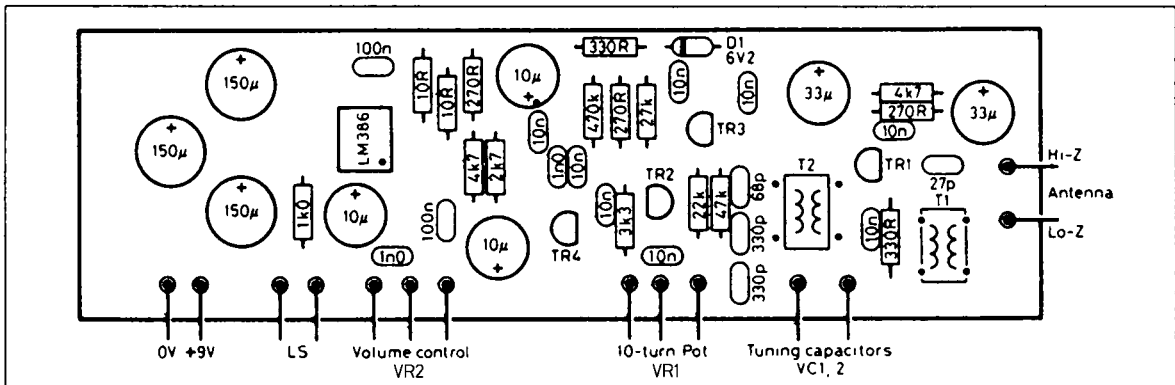


Figure 1 Layout of the receiver circuit board

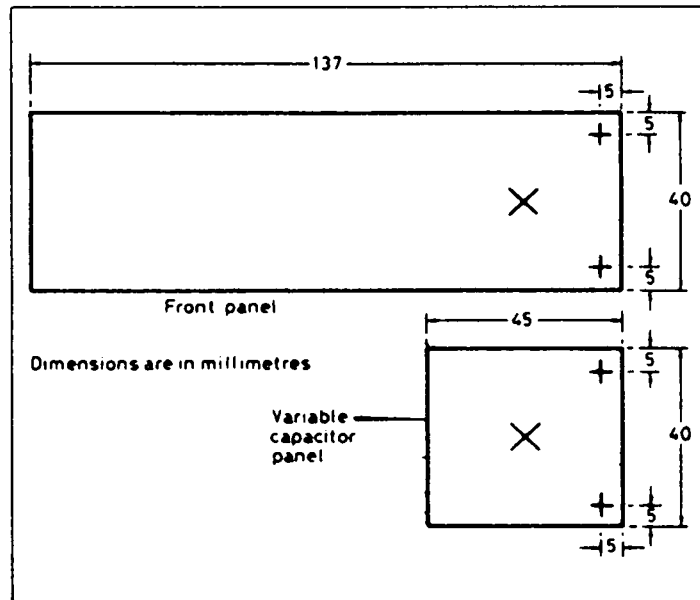


Figure 2 The case can be metal or made from PCB material

slow-motion drive. A tuning dial may be fitted behind the tuning knob on VC2 if required. The volume control, VR2, has its own on/off switch for the battery, which can be mounted behind the back panel, on which are mounted the aerial input sockets and the headphone/speaker socket. Check your soldering carefully, together with all the wiring between the board, the potentiometers and variable capacitors. When you are confident that everything is perfect, connect the battery and switch on.

The first tests

If you have a good aerial and are using an aerial tuning unit (ATU), use the low-impedance input. Excellent results are possible, though, with about 3 metres of wire connected to the high-impedance input. Set the volume control to give a gentle hiss in the headphones or speaker. Advance the reaction control to give a definite hiss. As you tune in an AM station, the hiss will change to a whistle; back off the reaction until the oscillation *just* stops. The receiver is now correctly set for AM reception.

On the amateur bands, the stations will be SSB or CW, and the reaction needs to be set *just above* the oscillation point, and will need slight adjustment from time to time for different qualities of signal. Juggling with the volume, reaction and tuning is part of the pleasure of using regenerative receivers!

In action

Practice is needed for best results. The regenerative receiver is renowned for its versatility in being able to be set up *exactly* for all types and strengths of signal. The basic receiver tunes from 6.5 MHz to 11 MHz approximately; this includes two amateur bands at 7.0 MHz and 10.1 MHz and two broadcast bands.

Parts list

Resistors: all 0.25 watt, 5% tolerance

R1, R10	330 ohms (Ω)
R2, R5, R11	270 ohms (Ω)
R3	22 kilohms ($k\Omega$)
R4	47 kilohms ($k\Omega$)
R6	3.3 kilohms ($k\Omega$)
R7, R12	4.7 kilohms ($k\Omega$)
R8	27 kilohms ($k\Omega$)
R9	470 kilohms ($k\Omega$)
R13	2.7 kilohms ($k\Omega$)
R14, R15	10 ohms (Ω)
R16	1 kilohm ($k\Omega$)
VR1	10 kilohm ($k\Omega$) linear 10-turn potentiometer
VR2	10 kilohm ($k\Omega$) log potentiometer

Capacitors

C1	27 picofarads (pF)
C2, C18, C22	100 nanofarads (nF)
C3, C4, C6,	
C10, C13, C14	10 nanofarads (nF)
C5, C11	33 microfarads (μ F) 16 V electrolytic
C7	68 picofarads (pF)
C8, C9	330 picofarads (pF)
C15	1 nanofarad (nF)
C16, C17, C20	10 microfarads (μ F) 16 V electrolytic
C21, C23	150 microfarads (μ F) 16 V electrolytic
VC1	10 picofarads (pF) variable
VC2	200 picofarads (pF) variable

Semiconductors

TR1, TR3	2N3819
TR2, TR4	BC182
IC1	LM386
D1	6.2 V 0.5 W Zener

Inductors

- T1 3 turns primary, 15 turns secondary,
 wound on 2-hole ferrite bead, with 28 SWG wire
- T2 2 turns primary, 17 turns secondary,
 wound on a T68-2 toroidal former, with 28 SWG
 wire

Additional items

- Printed-circuit board
- Battery connector
- PP3 battery
- 8-pin DIL socket
- 8 ohm speaker or headphones (Walkman type)
- Case to suit

