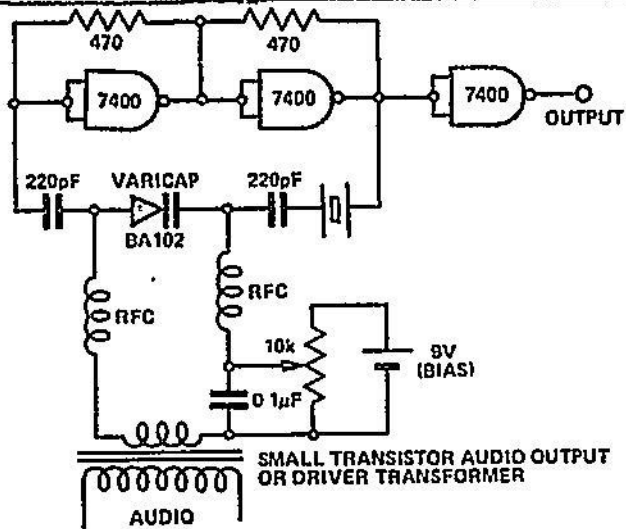


FM modulated TTL crystal oscillator

This TTL crystal oscillator is useful for checking FM receivers or to drive multipliers-amplifiers for an FM transmitter. It will accept crystals between 1 and 18 MHz. Output level is quite high and rich in harmonics. Audio can be provided at a low level from an audio oscillator or a microphone amplifier.



CRYSTAL CHECKER

Q. Do you have a simple circuit for checking crystals in the 2- to 6-MHz range?—William J. Bills, Maitland, FL.

A. This tester can be used with crystals over the 0.1-to-10-MHz range. The lamp

(a GE 1869, 10-volt, 14-mA type or equivalent) will light when the crystal is not in the circuit or is bad and when the switch is closed. When a good crystal is installed, the circuit oscillates and current through the lamp drops below 10 mA. The lamp will then dim or go out.

