

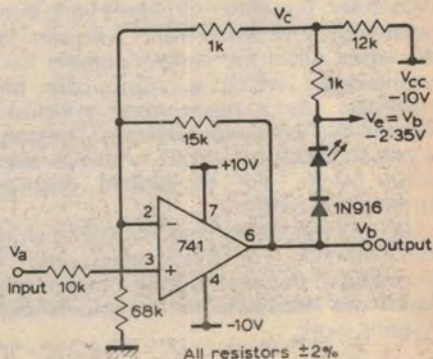
## Linear Led Control

Using only one op amp, the accompanying circuit is claimed to provide linear control of LED intensity. Maximum light output is achieved with

### Lifetime Lettering

Place a dab of clear lacquer on the top of integrated circuits and transistors to protect the labelling from rubbing off.

A. Williams,  
Pomonal, Vic.



+5.6V input; at -6.2V the LED extinguishes.  
from "Wireless World",  
January, 1981.