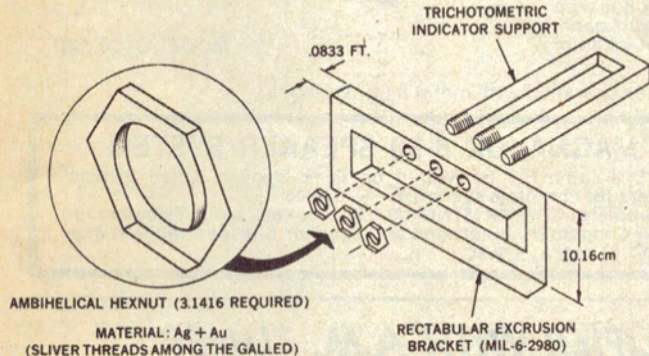


# An Interesting Bracket Problem



Inquiries concerning the mounting of the Trichotometric Indicator Support indicate that some difficulty is being experienced with the brackets which attach the support. As an aid toward fabricating the support brackets, the accompanying illustration is provided to show the type of material as well as the dimensional data needed.

It will be noted that in attaching the bracket to the support, a special ambihelical hexnut is used. The application of this nut is unique in that any attempt to remove it in the conventional manner only tightens it. Because of this design, the nut must be fully screwed on before it can be screwed off. (Courtesy NAA "Operations & Service News". From Approach, May 1965.)

(Editorial comment: It is fervently hoped that this vexing problem will be solved by this time next year.)