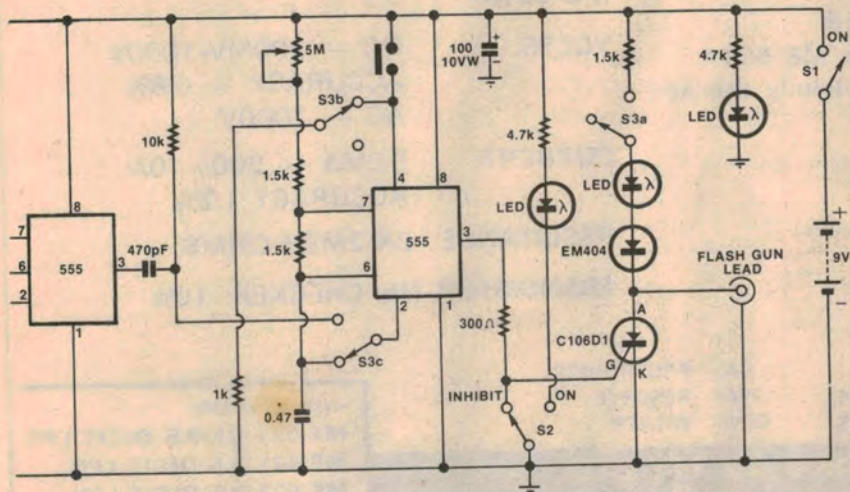


# CIRCUIT & DESIGN IDEAS

Interesting circuit ideas and design notes selected from technical literature, reader contributions and staff jottings. As they have not necessarily been tested in our laboratory, responsibility cannot be accepted. Contributions to this section are always welcome, and will be paid for if used.

Conducted by Ian Pogson

## Flash strobe addition to Sound Triggered Photo Flash



I had been considering making a device for strobing my computer-flash and on reading your article on the Sound Triggered Photo Flash in September 1979, I realised the possibili-

ty of incorporating such a feature into that unit. Some easy changes enable the Sound Triggered Photo Flash to be used as originally intended or as a photo flash strobe unit. The

modifications will only be of use with a computer-flash and the number of flashes is determined by the flash unit used.

The flash strobe feature may be incorporated simply by changing one capacitor and adding four resistors, one potentiometer and two switches, one 3-pole 2-way and one press-on. The number of flashes depends on the flash unit being used and can be as many as 10 — using an Olympus 310 flash. The time interval between flashes can be as long as 1.6 seconds using the values shown and is controlled by the 5M potentiometer.

The flash will be strobed by the 555 which has been switched to an astable mode as long as the press switch is closed, or until the flash unit has discharged. When the 555 is switched back to its monostable mode the Sound Triggered Photo Flash will behave normally.

(By Mr B. Jones, 21 McMaster Street, Scullin, ACT 2614.)