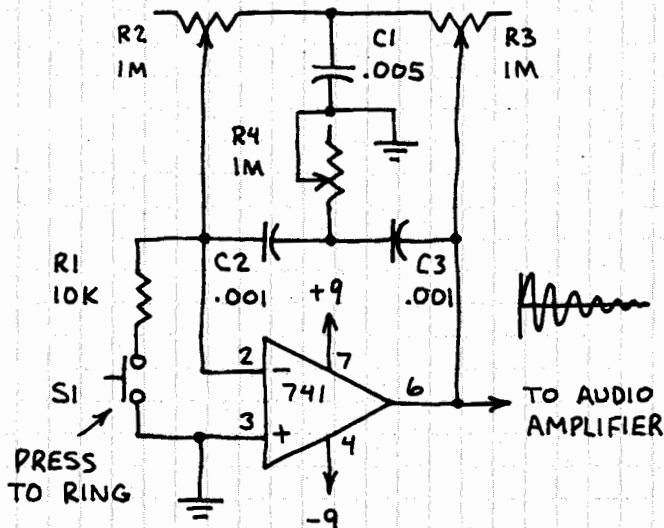


# ELECTRONIC BELL



ADJUST R3 TO JUST BELOW OSCILLATION POINT. ADJUST R2 AND R3 FOR SOUNDS SUCH AS BELL, DRUM, TINKLING, ETC.