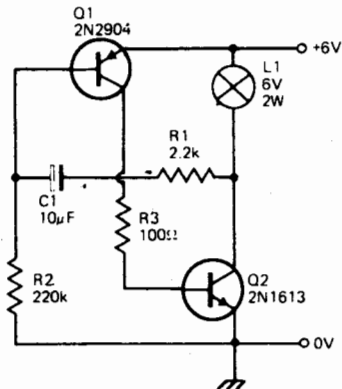


# TRANSISTORISED FLASHER



This simple circuit will flash a 6 volt lamp at a rate determined by the size of capacitor C1. It is most economical on power as it only draws current when the lamp is ON. When the lamp is OFF both transistors are biased OFF.