

* WITH 27K RESISTOR ONLY

RID CONTROLLER
 MAR. 12/1982
 Drawn by
 FOR ASI MUSIC
 PRODUCTIONS LTD
 EDMONTON, ALTA.

- Q1-Q7 = 2N3907
- Q8-Q11 = 2N3906 OR 2N3906
- Q12 = 2N3906
- D1-D7 = 1N4148
- D8-D11 = 1N4148
- D12-D14 = 1N4148

- R1-R2
- R3-R12
- R13-R15
- R16-R18
- R19-R21
- R22-R24
- R25-R27
- R28-R29
- R30-R32
- R33-R35
- R36-R38
- R39-R41
- R42-R44
- R45-R47
- R48-R50
- R51-R53
- R54-R56
- R57-R59
- R60-R62
- R63-R65
- R66-R68
- R69-R71
- R72-R74
- R75-R77
- R78-R80
- R81-R83
- R84-R86
- R87-R89
- R90-R92
- R93-R95
- R96-R98
- R99-R101
- R102-R104
- R105-R107
- R108-R110
- R111-R113
- R114-R116
- R117-R119
- R120-R122
- R123-R125
- R126-R128
- R129-R131
- R132-R134
- R135-R137
- R138-R140
- R141-R143
- R144-R146
- R147-R149
- R150-R152
- R153-R155
- R156-R158
- R159-R161
- R162-R164
- R165-R167
- R168-R170
- R171-R173
- R174-R176
- R177-R179
- R180-R182
- R183-R185
- R186-R188
- R189-R191
- R192-R194
- R195-R197
- R198-R200
- R201-R203
- R204-R206
- R207-R209
- R210-R212
- R213-R215
- R216-R218
- R219-R221
- R222-R224
- R225-R227
- R228-R230
- R231-R233
- R234-R236
- R237-R239
- R240-R242
- R243-R245
- R246-R248
- R249-R251
- R252-R254
- R255-R257
- R258-R260
- R261-R263
- R264-R266
- R267-R269
- R270-R272
- R273-R275
- R276-R278
- R279-R281
- R282-R284
- R285-R287
- R288-R290
- R291-R293
- R294-R296
- R297-R299
- R300-R302
- R303-R305
- R306-R308
- R309-R311
- R312-R314
- R315-R317
- R318-R320
- R321-R323
- R324-R326
- R327-R329
- R330-R332
- R333-R335
- R336-R338
- R339-R341
- R342-R344
- R345-R347
- R348-R350
- R351-R353
- R354-R356
- R357-R359
- R360-R362
- R363-R365
- R366-R368
- R369-R371
- R372-R374
- R375-R377
- R378-R380
- R381-R383
- R384-R386
- R387-R389
- R390-R392
- R393-R395
- R396-R398
- R399-R401
- R402-R404
- R405-R407
- R408-R410
- R411-R413
- R414-R416
- R417-R419
- R420-R422
- R423-R425
- R426-R428
- R429-R431
- R432-R434
- R435-R437
- R438-R440
- R441-R443
- R444-R446
- R447-R449
- R450-R452
- R453-R455
- R456-R458
- R459-R461
- R462-R464
- R465-R467
- R468-R470
- R471-R473
- R474-R476
- R477-R479
- R480-R482
- R483-R485
- R486-R488
- R489-R491
- R492-R494
- R495-R497
- R498-R500
- R501-R503
- R504-R506
- R507-R509
- R510-R512
- R513-R515
- R516-R518
- R519-R521
- R522-R524
- R525-R527
- R528-R530
- R531-R533
- R534-R536
- R537-R539
- R540-R542
- R543-R545
- R546-R548
- R549-R551
- R552-R554
- R555-R557
- R558-R560
- R561-R563
- R564-R566
- R567-R569
- R570-R572
- R573-R575
- R576-R578
- R579-R581
- R582-R584
- R585-R587
- R588-R590
- R591-R593
- R594-R596
- R597-R599
- R600-R602
- R603-R605
- R606-R608
- R609-R611
- R612-R614
- R615-R617
- R618-R620
- R621-R623
- R624-R626
- R627-R629
- R630-R632
- R633-R635
- R636-R638
- R639-R641
- R642-R644
- R645-R647
- R648-R650
- R651-R653
- R654-R656
- R657-R659
- R660-R662
- R663-R665
- R666-R668
- R669-R671
- R672-R674
- R675-R677
- R678-R680
- R681-R683
- R684-R686
- R687-R689
- R690-R692
- R693-R695
- R696-R698
- R699-R701
- R702-R704
- R705-R707
- R708-R710
- R711-R713
- R714-R716
- R717-R719
- R720-R722
- R723-R725
- R726-R728
- R729-R731
- R732-R734
- R735-R737
- R738-R740
- R741-R743
- R744-R746
- R747-R749
- R750-R752
- R753-R755
- R756-R758
- R759-R761
- R762-R764
- R765-R767
- R768-R770
- R771-R773
- R774-R776
- R777-R779
- R780-R782
- R783-R785
- R786-R788
- R789-R791
- R792-R794
- R795-R797
- R798-R800
- R801-R803
- R804-R806
- R807-R809
- R810-R812
- R813-R815
- R816-R818
- R819-R821
- R822-R824
- R825-R827
- R828-R830
- R831-R833
- R834-R836
- R837-R839
- R840-R842
- R843-R845
- R846-R848
- R849-R851
- R852-R854
- R855-R857
- R858-R860
- R861-R863
- R864-R866
- R867-R869
- R870-R872
- R873-R875
- R876-R878
- R879-R881
- R882-R884
- R885-R887
- R888-R890
- R891-R893
- R894-R896
- R897-R899
- R900-R902
- R903-R905
- R906-R908
- R909-R911
- R912-R914
- R915-R917
- R918-R920
- R921-R923
- R924-R926
- R927-R929
- R930-R932
- R933-R935
- R936-R938
- R939-R941
- R942-R944
- R945-R947
- R948-R950
- R951-R953
- R954-R956
- R957-R959
- R960-R962
- R963-R965
- R966-R968
- R969-R971
- R972-R974
- R975-R977
- R978-R980
- R981-R983
- R984-R986
- R987-R989
- R990-R992
- R993-R995
- R996-R998
- R999-R1001

120VAC INPUT

6.3V 15A

1700C 1000C

D14-29 P33-48 - 510A

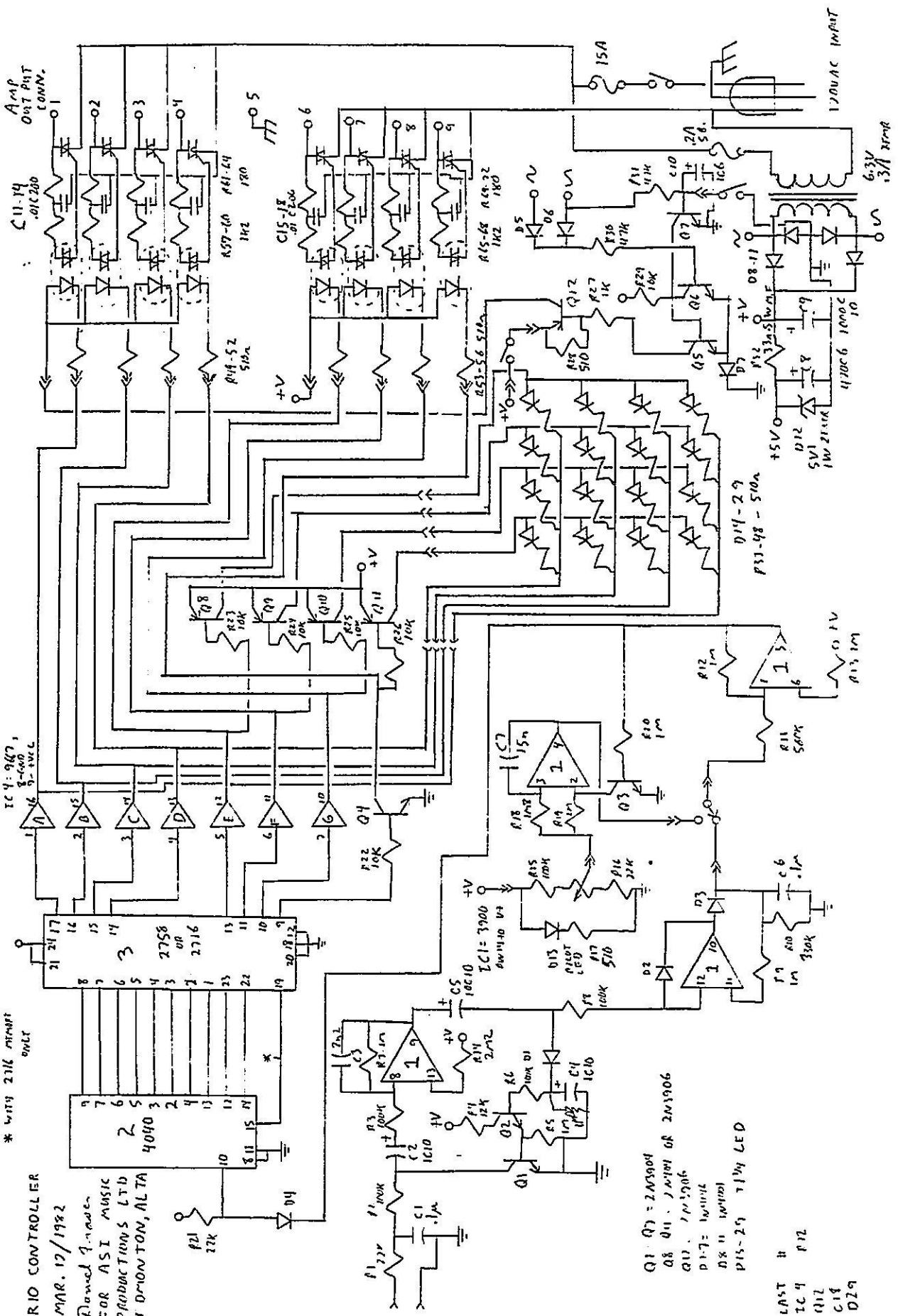
D12 5V1 1W 21V R

D7 08-11

D12 5V1 1W 21V R

D12 5V1 1W 21V R

D12 5V1 1W 21V R

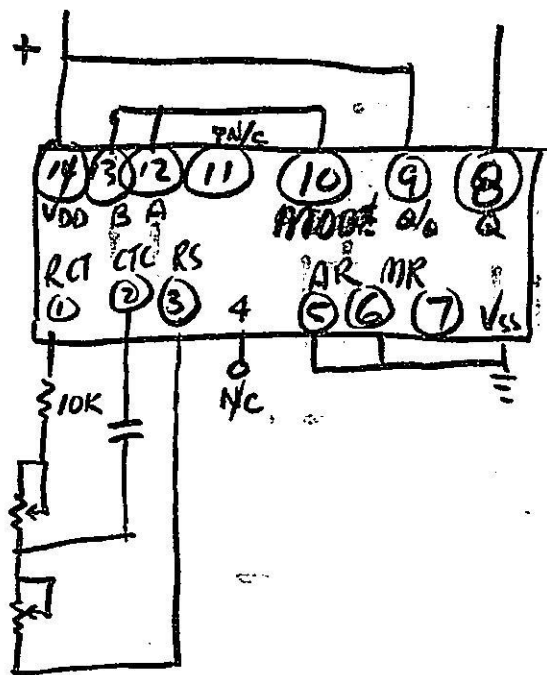
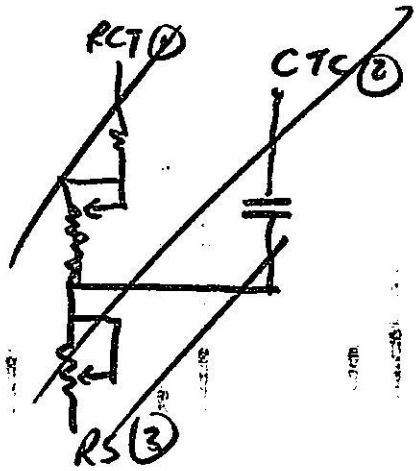
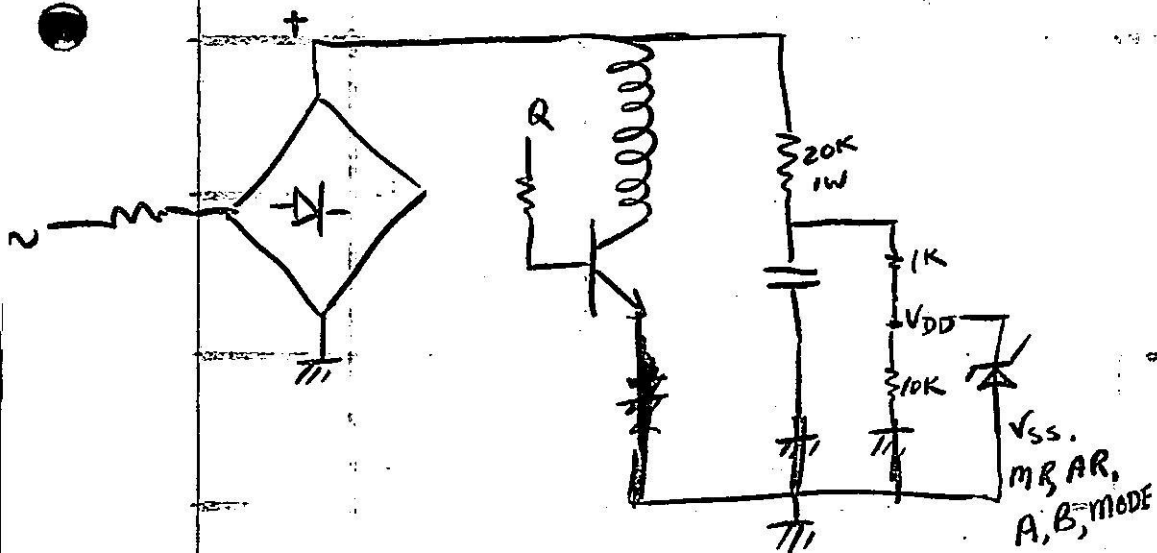


RIO CONTROLLER
 MAR. 12/1982
 Planned for use
 FOR ASI MUSIC
 PRODUCTIONS LTD
 T. DRUMTON, ALTA

* WITH 2716 MEMORY
 ONLY

Q1 - Q7 = 2N3904
 Q8 - Q11 = JAVIER OR 2N1906
 Q12 = 1N1906
 D1-7 = 1N4148
 D8-11 = 1N4148
 P15-25 = 1/4 LED

LAST #
 IC 4
 Q12
 C14
 D129



07 00 = F8 F4 F2 F1	07 50 = 42 84 82 42	08 00 = 12 12 11 21	08 50 = 4F F4 2F F2	09 00 = 1F F1 8F F8	09 50 = 13 11 31 71	10 00 = 8F 4F 2F 4F
F8 F1 F8 F1	22 L2 82 42	41 81 82 84	2F F2 2F F2	1F 2F 4F 8F	71 F1 E1 C1	2F 1F 2F 1F
F8 F1 F8 F1	22 12 82 42	88 48 28 18	2F F2 2F F2	1F 2F 8F 8F	81 83 87 8F	8F 4F 8F 4F
F8 F1 F8 F1	12 82 22 12	14 14 18 41	2F F2 4F F2	1F 2F 4F 8F	87 83 81 83	2F 1F 2F 1F
F8 F1 F8 F1	42 22 82 42	12 11 21 41	2F F2 2F F2	1F 2F 4F 8F	87 8E 8E 8C	F1 8F F8 F8
F1 F4 F8 F2	12 82 22 12	20-81 82 84 88	4F F2 4F F4	1F 2F 4F 8F	88 8C 8E 8F	78 38 18 28
F4 F1 F2 F8	22 42 82 82	48 28 18 1C	2F F4 4F 4F	1F 2F 4F 2F	8E 8C 88 C8	8E + + + + + FEND!
F1 F4 F8 F2	42 22 82 12	1F 1F 8F 8F	F8 1F 8F 8F	1F 8F 2F 2F	E8 F8 E8 C8	
F4 E4 C4 84	22 42 84 82	F8 1F F8 8F	F1 8F F8 1F	4F 2F 1F 8F	88 C8 E8 F8	
14 24 44 84	42 22 12 12	F1 1F F8 1F	F8 8F F1 1F	1F 17 13 11	09-86 1F F4 2F F2	
14 24 44 84	22 42 82 84	F1 8F F8 F4	F8 8F F1 1F	31 71 E1 71	09-90 4F F1 8F F8	
14 24 44 84	88 48 28 18	2F F2 4F F4	F8 8F F1 1F	31 11 13 17	1F F4 2F F2	
14 24	14 14	2F F2	F8 F8	1F 17	4F F1	

03 50 =	2 4	04 00 =	F 1	04 50 =	C 2	05 00 =	8 F	05 50 =	8 S	06 00 =	8 F	06 50 =	F 2
	4 4		F 2		C 1		4 F		8 S		4 F		F 1
	8 4		F 4		C 8		2 F		8 S		8 F		F 8
	4 4		F 8		C 2		1 F		8 S		4 F		F 4
03 55	2 4		F 4		C 4		8 F		8 S		8 F		F 2
	1 4	04 05	F 2	04 55	C 2	05 05	4 F	05 55	8 S	06 05	4 F	06 55	F 1
	2 4		F 1		C 1		2 F		C 8		4 F		F 1
	4 4		F 2		8 1		1 F		F 8		2 F		F 8
	8 4		F 4		8 3		2 F		7 8		4 F		F 4
	4 4		F 8		8 7		1 F		6 8		4 F		F 2
03 60	2 4	04 10	F 2	04 60	8 F	05 10	4 F	05 60	7 8	06 10	2 F	06 60	F 1
	1 4		F 4		4 F		8 F		F 8		4 F		F 8
	1 A		F 8		2 F	05 12	1 F		7 8		2 F		F 4
	2 A		F 2		4 F		2 F		6 8		4 F		F 2
	4 A		F 8		2 F		4 F		6 8		2 F		F 1
03 65	8 A	04 15	F 2	04 65	1 F	05 15	8 F	05 65	E 8	06 15	4 F	06 65	F 8
	4 A		F 8		2 F		8 F		C 8		4 F		F 4
	2 A		F 8		1 F		4 F		8 8		2 F		F 2
	1 A		F 2		8 F		2 F		4 4		1 F		F 1
	2 A		F 2		1 F		1 F		2 2		2 F	06 70	F 8
03 70	4 A	04 20	7 2	04 70	8 F	05 20	1 F	05 70	2 1	06 20	2 F	06 70	F 4
	8 A		3 2		4 F		8 F		9 1		1 F		F 2
	4 A		3 1		8 F		4 F		5 8		2 F		F 1
	2 A		3 8		4 F		2 F		2 4		1 F		F 8
	1 A		3 4		2 F		2 F		1 4		2 F		F 4
03 75	1 1	04 25	3 2	04 75	4 F	05 25	1 F	05 75	8 2	06 25	1 F	06 75	F 2
	2 1		3 1		2 F		8 F		4 1		2 F		F 1
	4 1		3 8		1 F		4 F		2 8		1 F		F 8
	8 1		3 4		2 F		4 F		1 8		8 F		F 4
	4 1		3 2		1 F		2 F		8 4		1 F		F 2
03 80	2 1	04 30	3 1	04 80	2 F	05 30	1 F	05 80	4 2	06 30	8 F	06 80	F 1
	1 1		3 8		1 F		8 F		2 1		1 F		F 8
	2 1		6 8		2 F		8 F		1 1		8 F		F 4
	4 1		6 4		1 F		4 F		8 8		1 F		F 2
	8 1		6 2		2 F		2 F		8 C		8 F		F 1
03 85	4 1	04 35	6 1	04 85	1 F	05 35	1 F	05 85	8 E	06 35	1 F	06 85	F 2
	A 1		6 8		2 F		1 F		8 F		8 F		F 4
	S 1		6 4		4 F		8 F		4 E		1 F		F 8
	3 1		6 2		8 F		4 F		8 F		8 F		F 4
	2 1		6 1		4 F		2 F		2 F		1 F		F 4
03 90	E 1	04 40	6 8	04 90	2 F	05 40	2 F	05 90	8 F	06 40	8 F	06 90	F 2
	F 1		6 4		1 F		1 F		2 F		F 8		F 1
	F 4		6 2		1 F		8 F		8 F		F 4		F 8
	F 2		6 1		2 F		4 F		2 F		F 2		F 4
	F 1	04 44	6 8		4 F		4 F		8 F		F 1		F 2
03 95	F 2	04 45	C 8	04 95	8 F	05 45	2 F	05 95	2 F	06 45	F 8	06 95	F 1
	F 4		C 4		1 F		1 F		8 F		F 4		F 8
	F 8		C 2		2 F		8 F		4 F		F 2		F 4
	F 4		C 1		4 F		8 F		8 F		F 1		F 2
	F 2		C 8		8 F		8 F		4 F		F 8		C 1

BYTE

00	00	=	48	00	50	=	F1	01	00	=	82	01	50	=	42	02	00	=	F8	02	50	=	24	03	00	=	8C
00	01		88				F8	01	01		42				44				1F							8E	
00	02		84				F4				22				48				17							8F	
			82				F2				12				41				13							87	
00	04		81				F1				82				42				31							83	
00	05		41	00	55		F8	01	05		42	01	55		44	02	05		61	02	55		22	03	05	81	
			21				F4				22				48				01	02	56		42			42	
			11				F2				12				44				13				44			24	
00	08		12				F1				82				42				16				24			18	
			14				F2				42				41				1C				22			81	
00	10		18	00	60		F4	01	10		22	01	60		81	02	10		C8	02	60		42	03	10	42	
			28				F8	01	11		12				82				68				82			24	
			28				F1				81				84				8C				86			18	
			88				F2				41				88				86				8E			81	
			84	00	64		F4				21				81				83				8F			42	
00	15		82	00	65		F8	01	15		11	01	65		82	02	15		31	02	65		86	03	15	24	
00	16		81				F8				81				84				61				8F			18	
			41				C8				41				88				C1				8E			81	
			21				88				21				84				13				8F			42	
			11				48				11				82				16				8E			24	
00	20		12	00	70		28	01	20		81	01	70		81	02	20		1C	02	70		8F	03	20	18	
			14				18				41				11				C8				87			21	
			18				88				21				18	02	22		68				8F			42	
			28				48				11				88				8C				86			24	
			48				28				81				81				86				8F			18	
00	25		4C	00	75		18	01	25		41	01	75		11	02	25		83	02	75		8E	03	25	24	
			4E				88				21				18				86				8F			42	
			4F				48				11				88				8C				8E			81	
			2F				28	01	28		12				81				86				8F			42	
			1F				18				14				11				83				87			24	
00	30		8F	00	80		88	01	30		18	01	80		18	02	30		31	02	80		83	03	30	18	
			4F				48				11				88				62				81			24	
00	32		2F				28				12				81				46				C1			42	
			1F				18				14				11				64				F1	03	33	81	
			8F				84				18				18				26				F1			42	
00	35		4F	00	85		44	01	35		14	01	85		88	02	35		62	02	85		71	03	35	24	
			2F				24				12				C8				46				31			18	
			1F				14				11				E8				64				11			28	
			2F				84				21				F8				26				13			48	
			4F				44				22				1F				62				17			88	
00	40		2F	00	90		24	01	40		24	01	90		F1	02	40		46	02	90		1E	03	40	48	
			1F				14				28				8F				44				1E			28	
			1E				84				21				F8				24				1C			18	
			1C				44				22				1F				22				18			28	
			18				24				24				F1				42				38			48	
00	45		38	00	95		14	01	45		28	01	95		8F	02	45		44	02	95		28	03	45	88	
			28				82				24				F8				24				F8			42	
			F8				42				22				1F				22				E8			28	
			F4				22				21				F1				42				88			18	
			F2				12				41				8F				44				88			14	