

TERMINAL STRIP

ELECTRONIC'S MAINS SWITCH

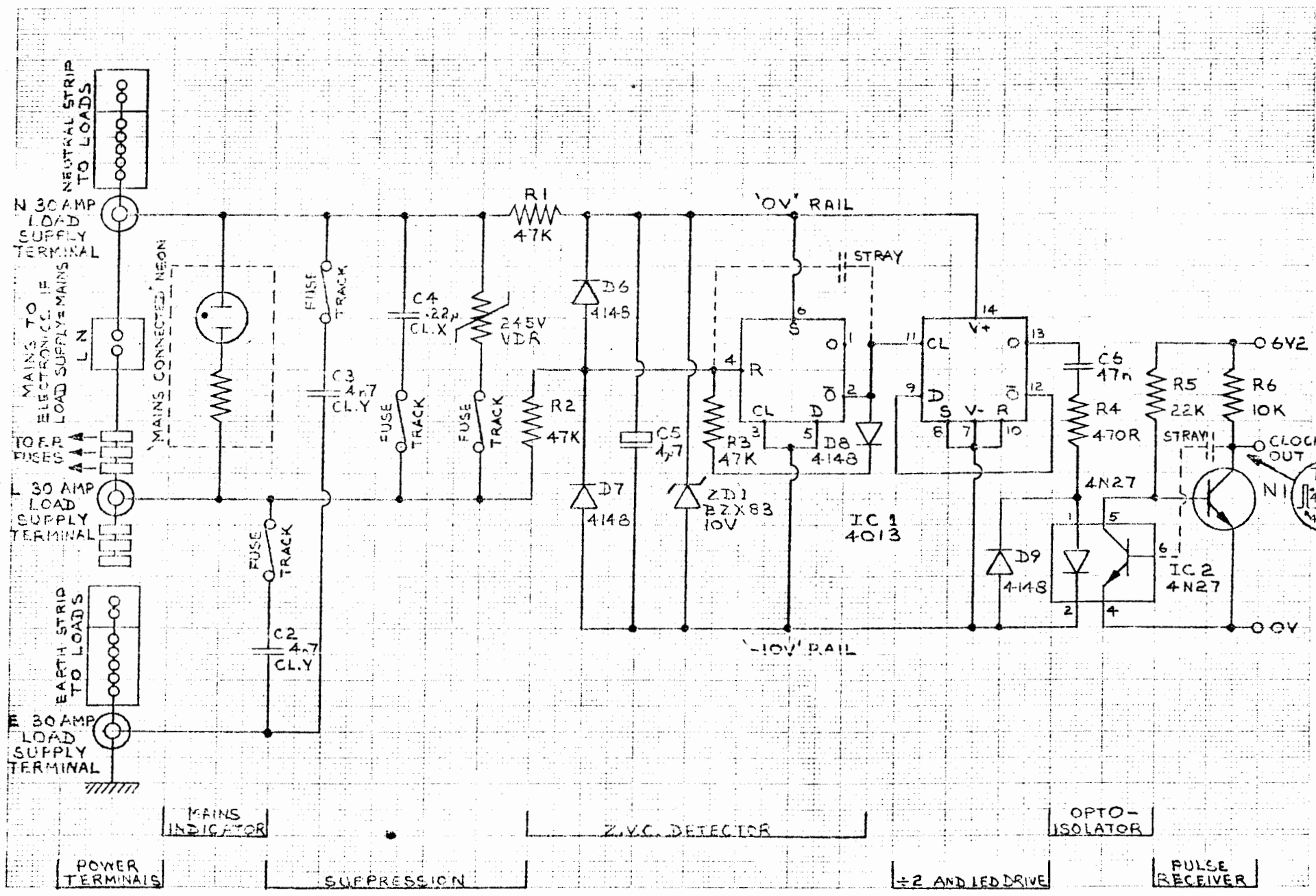
MAINS TRANSFORMER

RECTIFICATION

SMOOTHING

6V2 RAIL

Is 250mA MAX



POWER TERMINALS

MAINS INDICATOR

SUPPRESSION

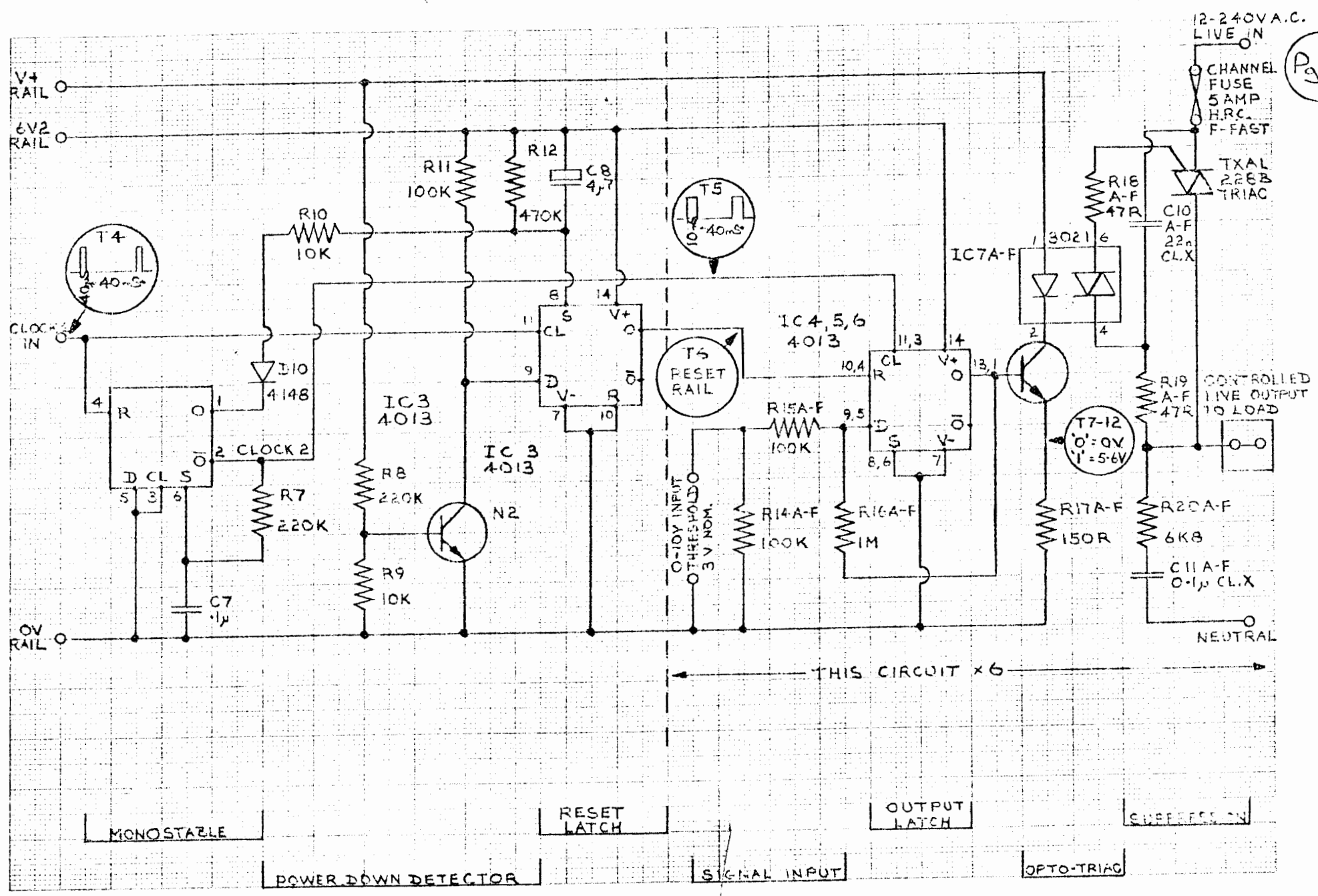
Z.V.C. DETECTOR

555 AND LED DRIVE

OPTO-ISOLATOR

PULSE RECEIVER

T4
40.5
40.5



12-240V A.C. LIVE IN

CHANNEL FUSE 5 AMP H.R.C. F-FAST

TXAL 228B TRIAC

R18 A-F 47R

C10 A-F 22n CLX

IC7A-F 30216

R19 A-F 47R

CONTROLLED LIVE OUTPUT TO LOAD

R20A-F 6K8

C11A-F 0.1µ CLX

NEUTRAL

THIS CIRCUIT x 6

MONOSTABLE

POWER DOWN DETECTOR

RESET LATCH

SIGNAL INPUT

OUTPUT LATCH

OPTO-TRIAC

SURE-FIRE ON