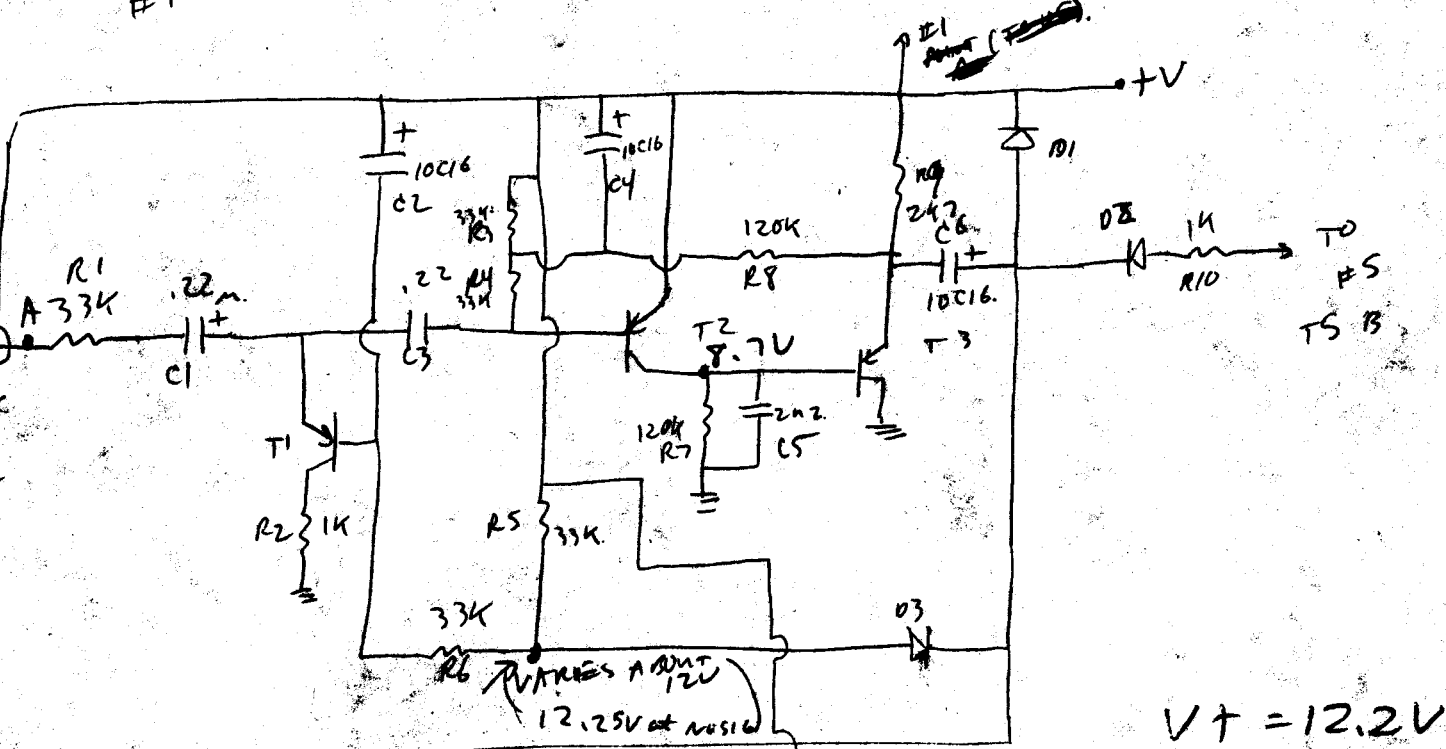
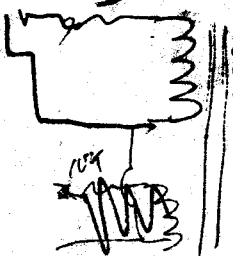


Mobile Light Unit 3

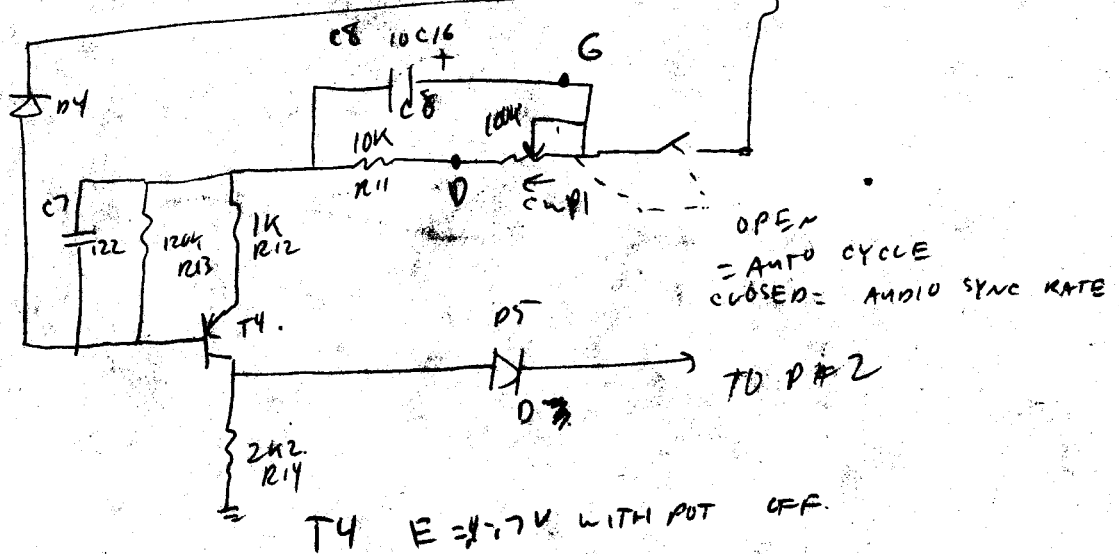
#1

1K/W 8006 I/P XFM.



VARIES AMT 12V
12.25V at 100% SW

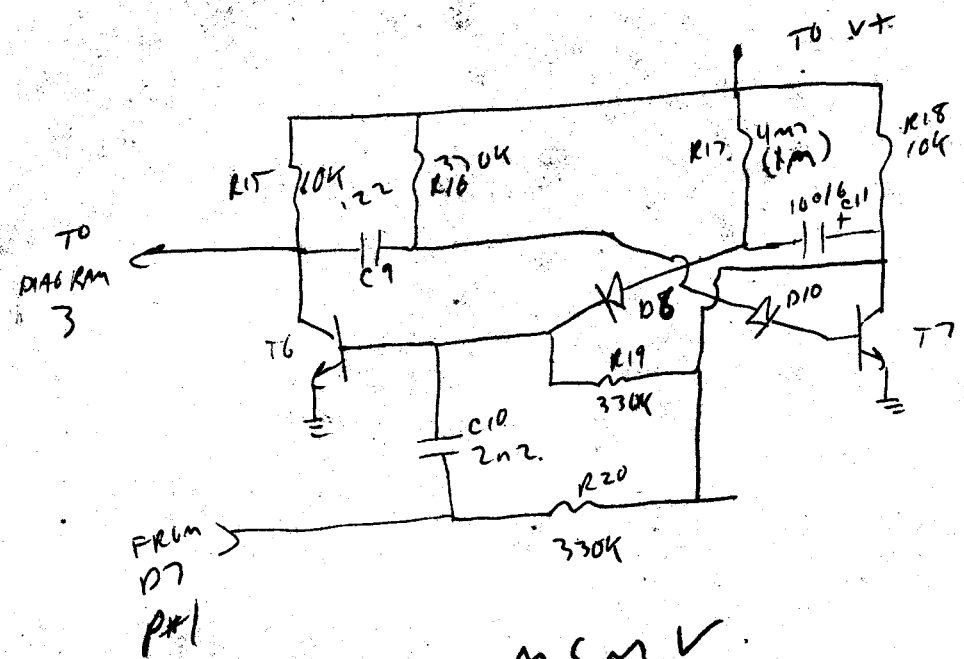
V+ = 12.2V



OPEN = AUTO CYCLE
CLOSED = AUDIO SYNC RATE

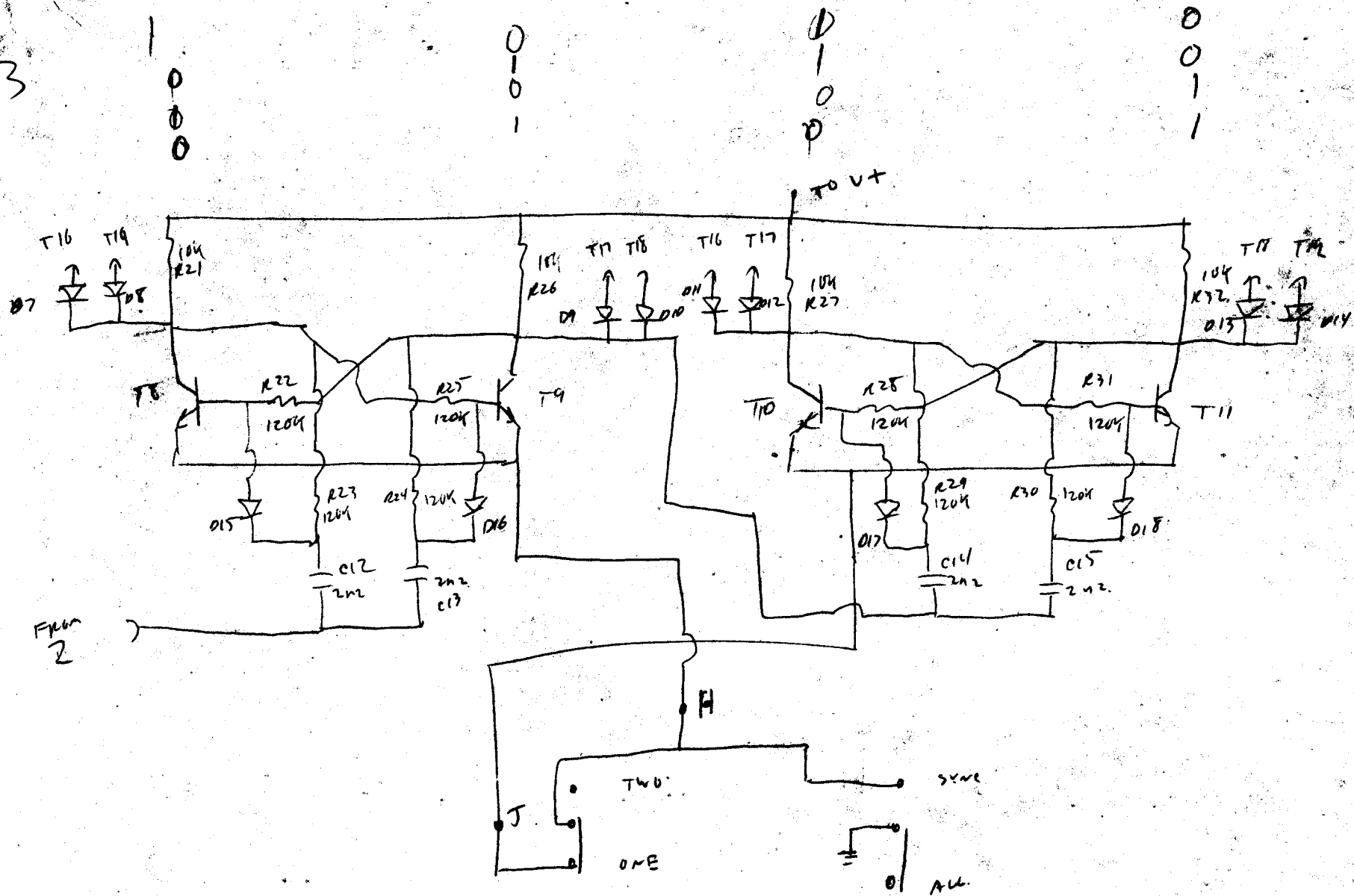
T4 E = 4.7V WITH POT OFF.
T4 E = 12.1 - 12.3V WITH ROTATION.

2



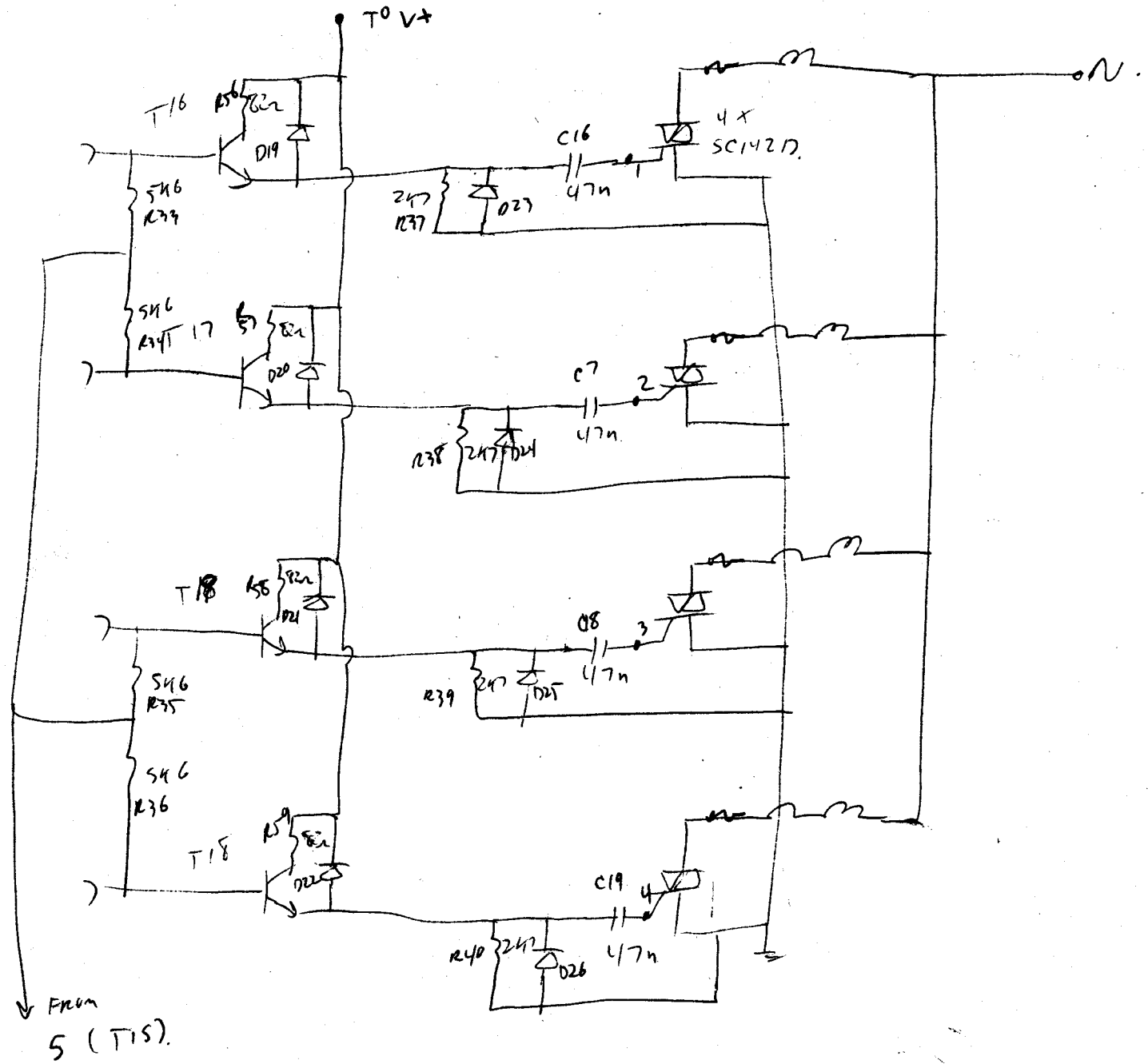
MSMV

T6 - NORMALLY HIGH



4

T0 V+



4 lines from 3

From 5 (T15)

5

