



MADE IN
CANADA

CHASE TRIGGER



AUDIO CHASE
SENSITIVITY

AUDIO



AUTO



AUTO CHASE
RATE



BRIGHT



DIM



ON



LIGHTS



INVERT



SHIMMER



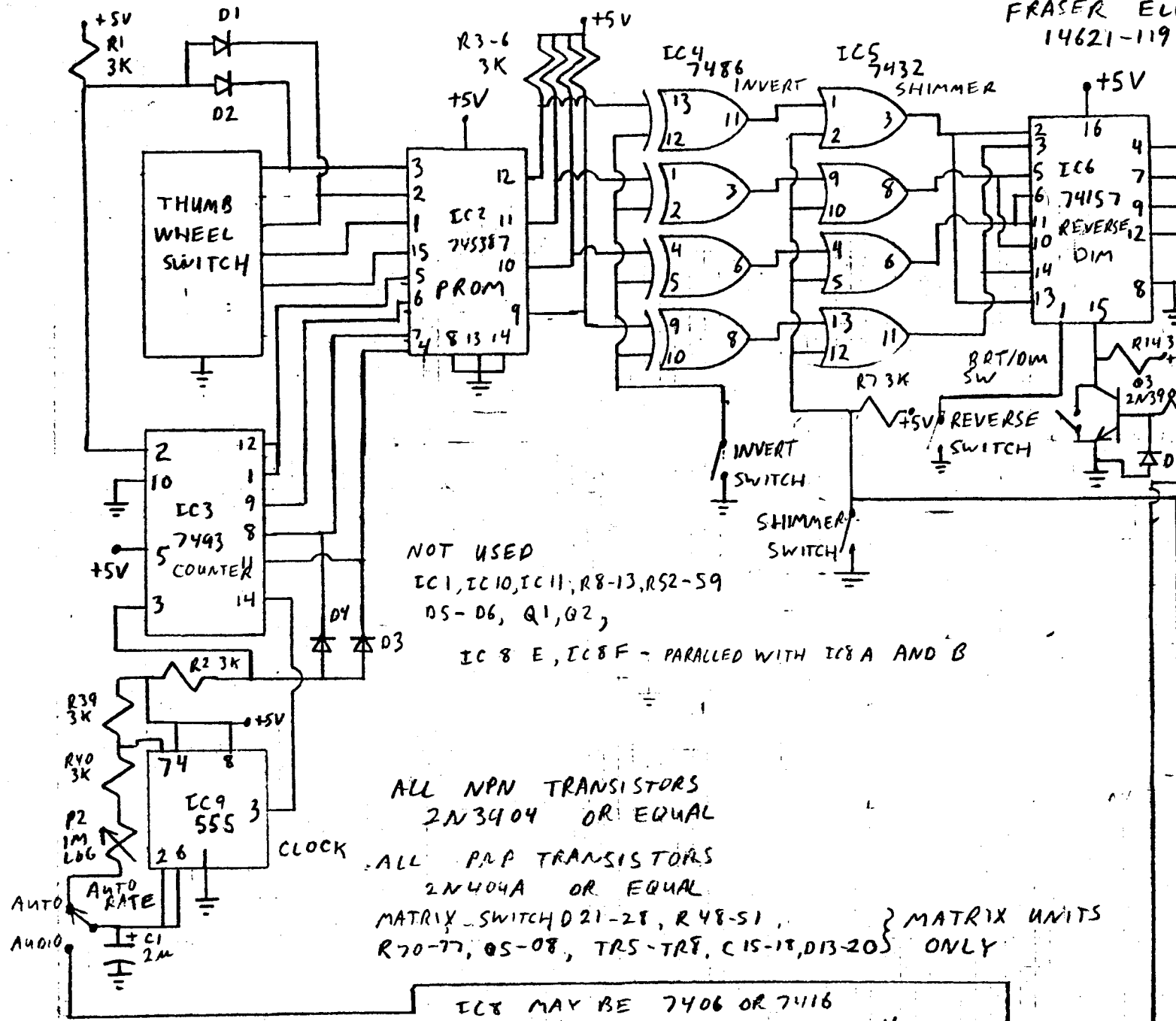
REVERSE



POWER

FRASER
ELECTRONICS

PROGRAMMED
LIGHTING
CONTROLLER



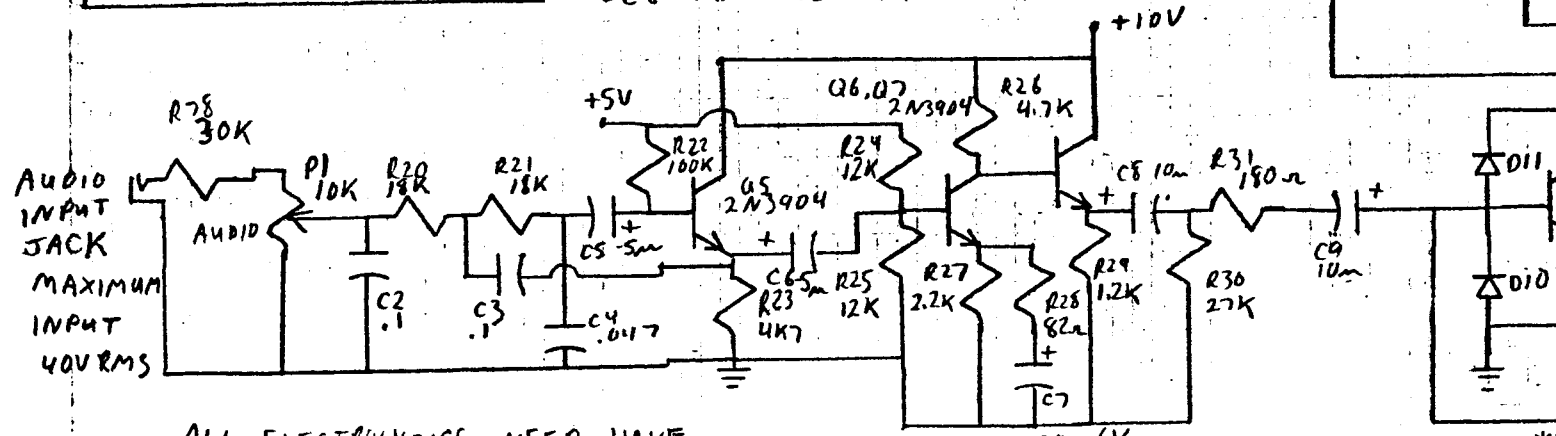
NOT USED
IC1, IC10, IC11, R8-13, R52-59
D5-D6, Q1, Q2,
IC 8 E, IC 8 F - PARALLED WITH IC 8 A AND B

ALL NPN TRANSISTORS
2N3404 OR EQUAL

ALL PNP TRANSISTORS
2N404A OR EQUAL

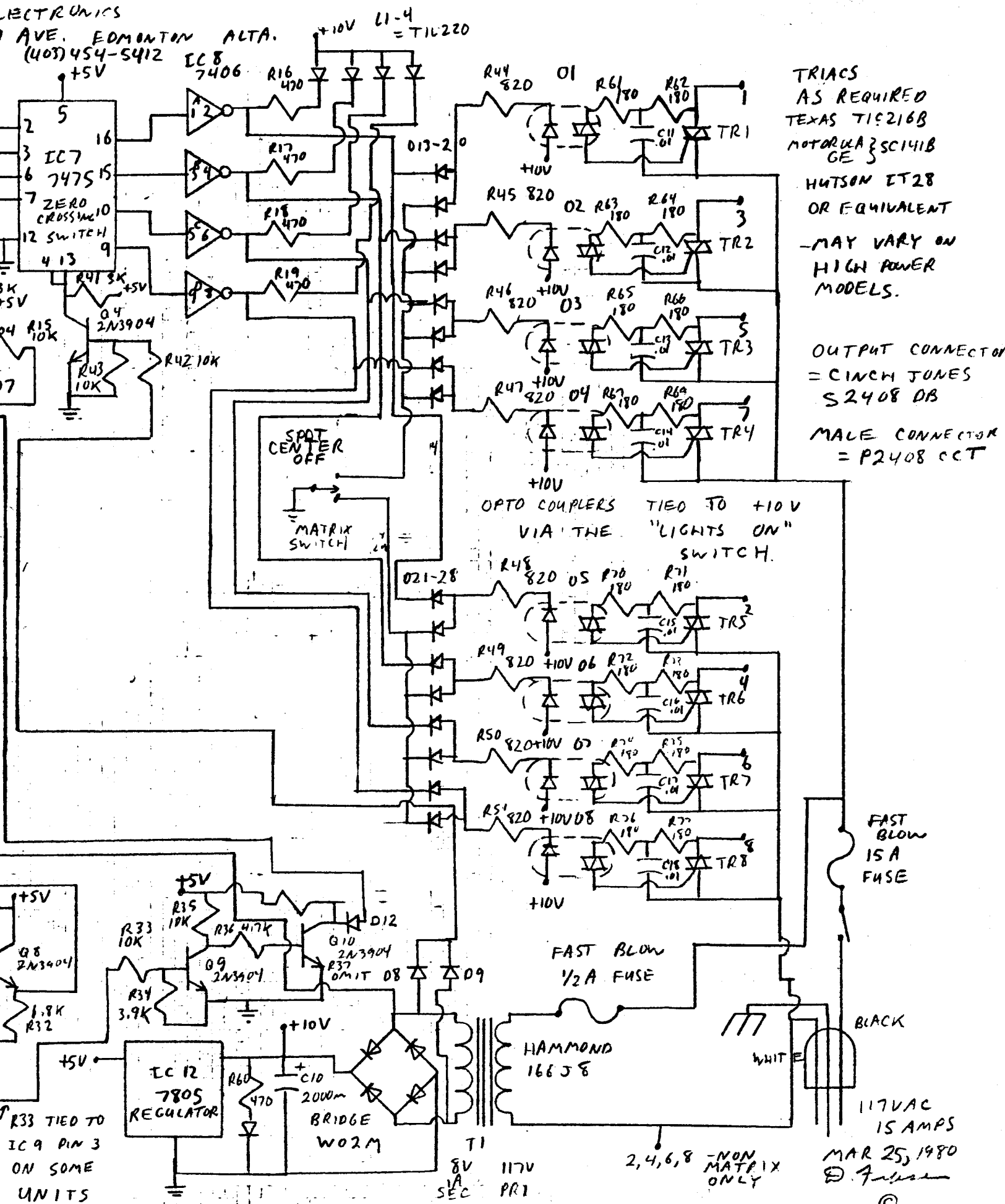
MATRIX SWITCH D21-28, R48-51 } MATRIX UNITS
R70-77, Q5-Q8, TR5-TR8, C15-18, D13-20 } ONLY

IC8 MAY BE 7406 OR 7416



ALL ELECTROLYTICS NEED HAVE
ONLY A 10V RATING EXCEPT
AS MARKED
C11-18 = 101MFD 250V MINIMUM

LAST #	IC 12	R78	T1	ALL DIODES
	Q 10	C18	TR8	1N914A
	D 20	D8	P2	L4



TRIACS
AS REQUIRED
TEXAS TI9216B
MOTOROLA 3SC141B
GE
HUTSON ET28
OR EQUIVALENT
-MAY VARY ON
HIGH POWER
MODELS.

OUTPUT CONNECTOR
= CINCH JONES
S2408 DB
MALE CONNECTOR
= P2408 CCT

OPTO COUPLERS TIED TO +10V
VIA THE "LIGHTS ON"
SWITCH.

FAST BLOW
15A
FUSE

FAST BLOW
1/2A FUSE

BLACK

117VAC
15 AMPS

MAR 25, 1980
D. Fisher

R33 TIED TO
IC9 PIN 3
ON SOME
UNITS

2, 4, 6, 8 -NON
MATRIX
ONLY

OPERATING HINTS FOR THE R3A & R7 SERIES LIGHTING CONTROLLERS

The R3A is an automated unit that changes effects on its own, while the R7 has its effects selected by its operator manually. Each unit has 16 patterns stored in its memory. On the R3A these are changed automatically, while the R7 has a thumbwheel switch on the front panel so the operator can set his effects.

The three effect modifiers are "INVERT, SHIMMER AND REVERSE". On the R3A these are automatic in operation and three LEDs indicate which are active at any one time. The R7 has three switches to control these. The invert switch selects between a light chase and a dark chase. The reverse switch changes the direction of the chase, while the shimmer gives an all flash effect. This is best when the invert is engaged also. Without the invert being engaged, the shimmer effect is not as exciting. Because of this, on the R3A the shimmer will only engage with the invert on also.

The shimmer has another function also. It can be used to turn all of the lights on, either to tell the crowd its time to go, or to test the lamps to check for defective ones. To do this, first turn the audio sensitivity control all of the way down. Second, select the shimmer effect. On the R3A run it on auto chase until the shimmer light lights. Then switch the Auto/Audio switch to Audio and all of the lights will come on and stay on until the operator wishes otherwise.

The "LIGHTS ON" switch switches the lamps off without switching off the logic. This allows a DJ to check the pattern he has before he presents it to the audience. The "BRIGHT" switch is a Bright/Dim selector. There is more data on this on the other sheet enclosed.

On the R7M types there is a small three position toggle switch mounted above the Auto/Audio switch. This controls the direction on the matrix.

When using the unit in the Audio chase mode, if the Audio Chase Sensitivity control is turned up too high, this could stop the chase as much as if it were turned too low due to overloading the trigger circuit. If turning up does not help, try turning it down a bit.

If you have any questions, the dealer can pass them on to us if he is unable to answer them for you. Note, there is no possible combination of control settings that can cause injury or damage to the unit, giving the DJ complete freedom to try any patterns, etc. within the capability of the unit.