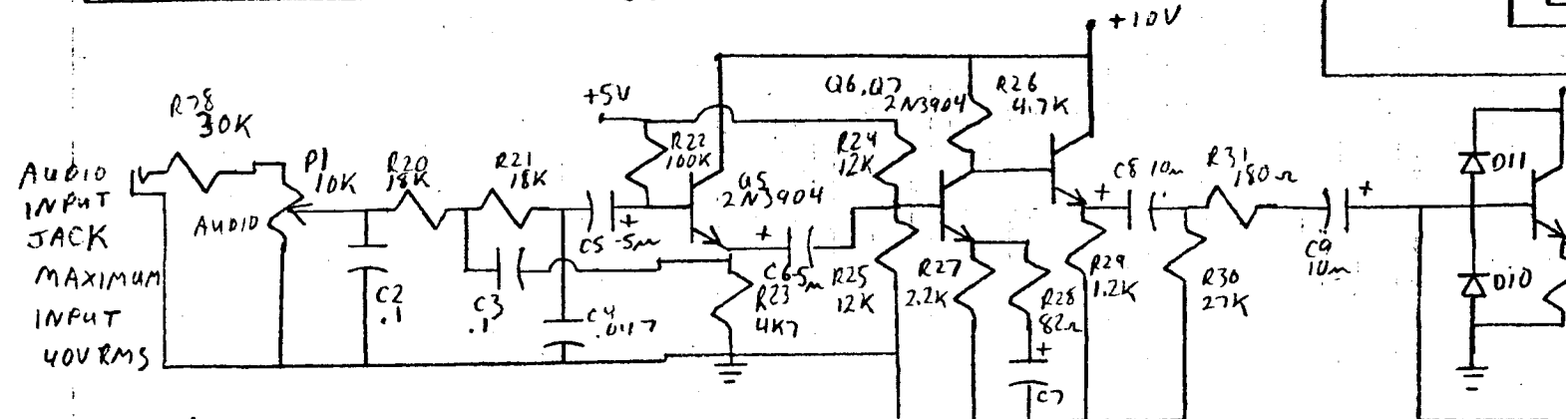


NOT USED
 IC1, IC10, IC11, R8-13, R52-59
 D5-D6, Q1, Q2,
 IC8 E, IC8 F - PARALLELED WITH IC8 A AND B

ALL NPN TRANSISTORS
 2N3904 OR EQUAL
 ALL PNP TRANSISTORS
 2N4004 OR EQUAL

MATRIX SWITCH D21-28, R48-51, } MATRIX UNITS
 R70-77, Q5-Q8, TR5-TR8, C15-18, D13-20 } ONLY

IC8 MAY BE 7406 OR 7416

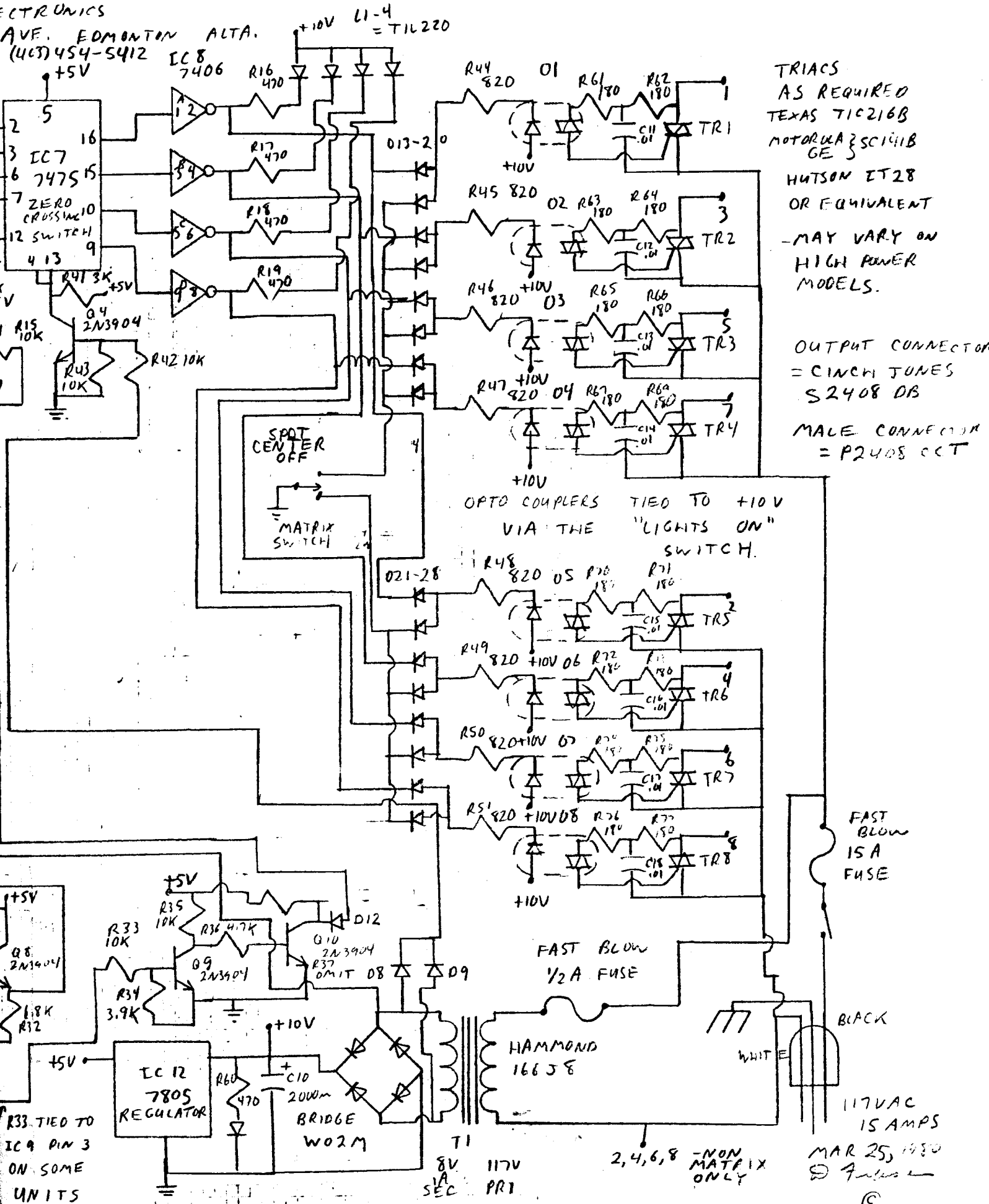


ALL ELECTROLYTICS NEED HAVE
 ONLY A 10V RATING EXCEPT
 AS MARKED
 C11-18 = 101MFD 250V MINIMUM

LAST #	IC 12	R79	T1	ALL DIODES
Q 10	C18	C18	TR8	1N914A
D 20	O8	O8	P2	L4

ELECTRONICS

AVENUE, EDMONTON ALTA.
(403) 454-5412



TRIACS
AS REQUIRED
TEXAS T1C216B
MOTOROLA 2SC141B
GE
HUTSON ET28
OR EQUIVALENT
-MAY VARY ON
HIGH POWER
MODELS.

OUTPUT CONNECTOR
= CINCH JONES
S2408 DB
MALE CONNECTOR
= P2408 CCT

OPTO COUPLERS TIED TO +10V
VIA THE "LIGHTS ON"
SWITCH.

FAST BLOW
15A
FUSE

FAST BLOW
1/2A
FUSE

BLACK
WHITE
117VAC
15AMPS

2, 4, 6, 8 - NON
MATRIX
ONLY

MAR 25, 1980
D. Fisher

©