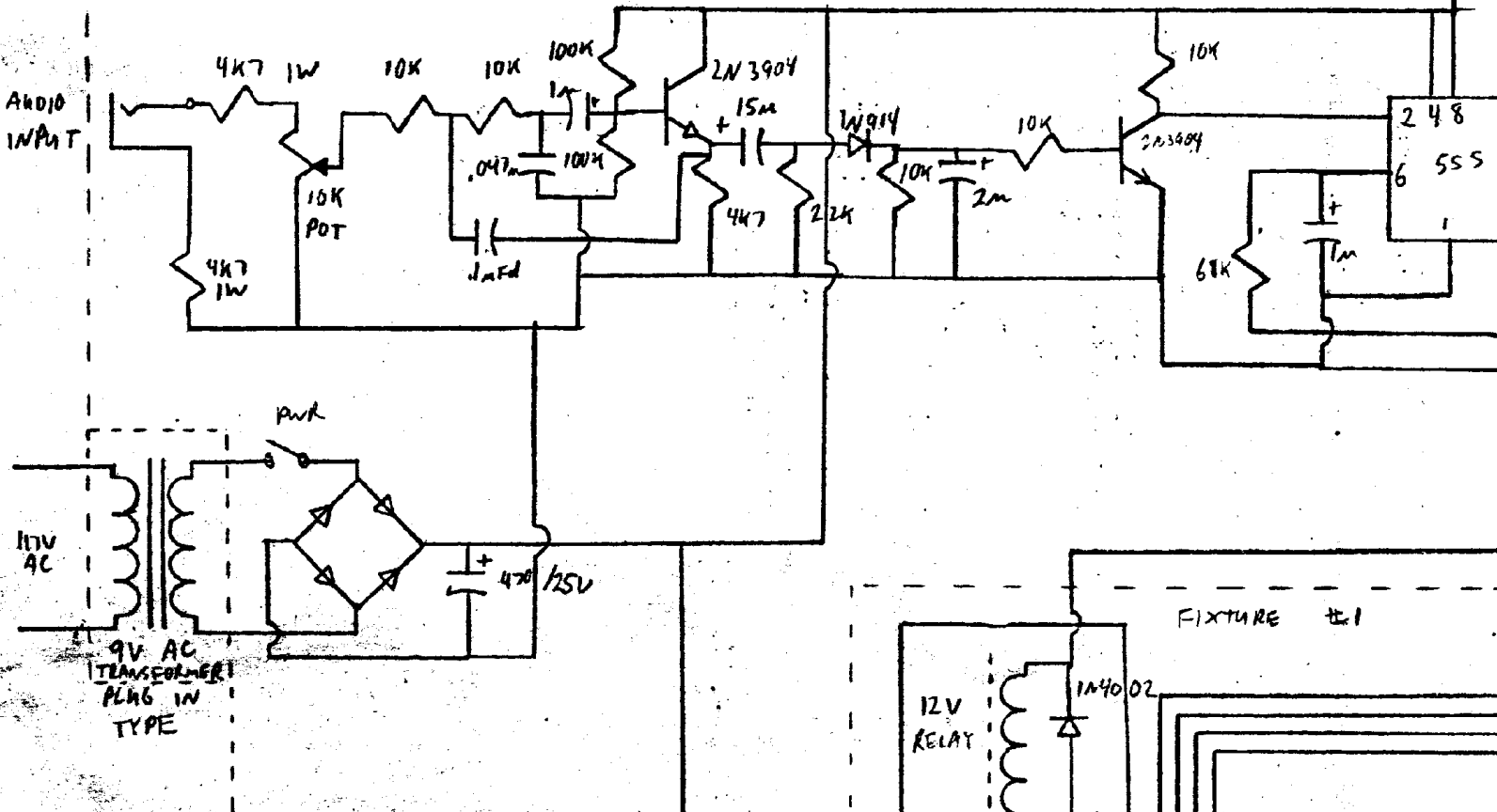


R4 STROBE CONTROLLER

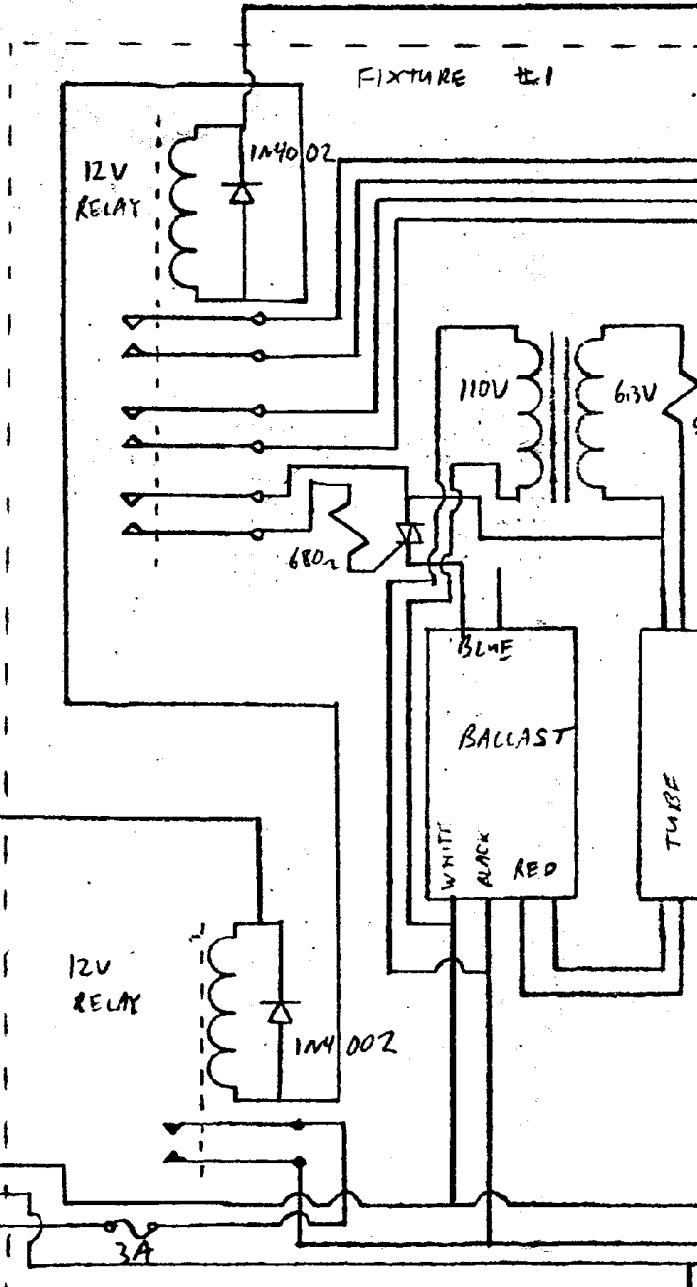
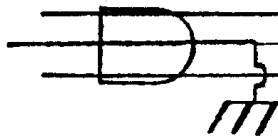


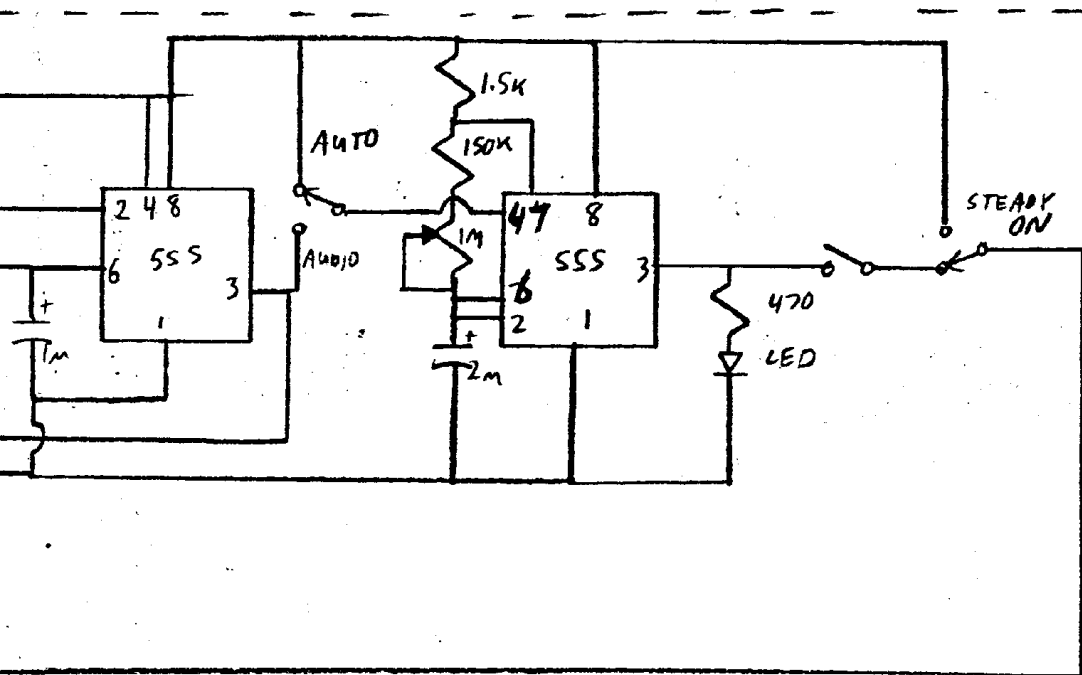
SOUND TO - LIGHT  
 FLOURESCENT LAMP CONTROL  
 SYSTEM FOR SCANDALS  
 DISCO-SHEATON CARAVAN HOTEL  
 EDMONTON, ALBERTA  
 JUNE 4, 1981  
 D. Frazer

TRIACS ARE TEXAS  
 TIC216D - 6AMP  
 400VOLT

This was designed to  
 flash black lights to  
 music.

117VAC





#1

FIXTURE #2

FIXTURE #3

