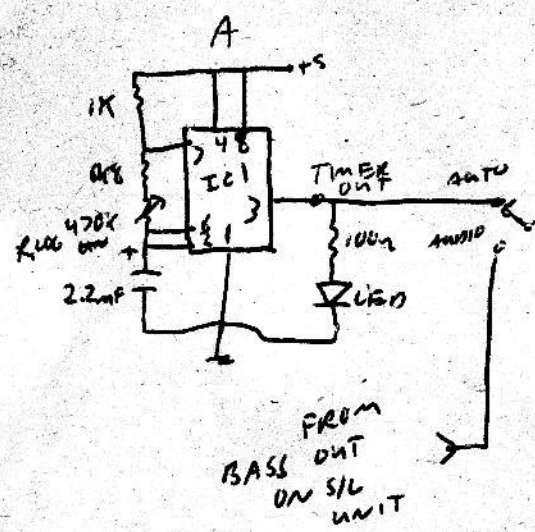


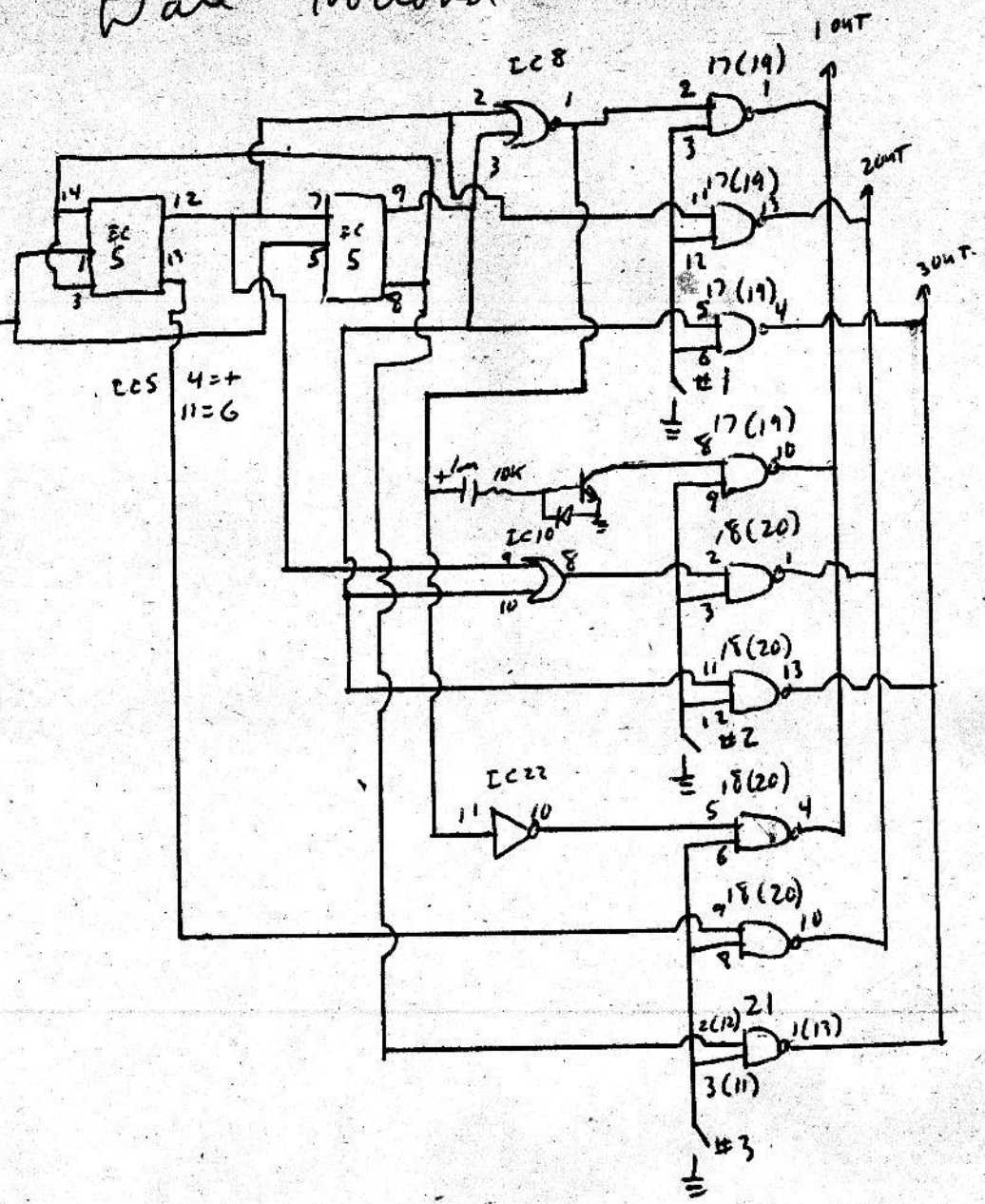
EFFECTS

1, 2, 3

# Dale Holland Unit



- IC1 = 555
- IC5 = 7473
- IC8 = 7402
- IC10 = 7432
- IC 17, 18, 19, 20, 21 = 7401
- IC22 = 7404
- LED = TIL220B
- TRANSISTOR = 2N5129
- DIODE = 1N414A



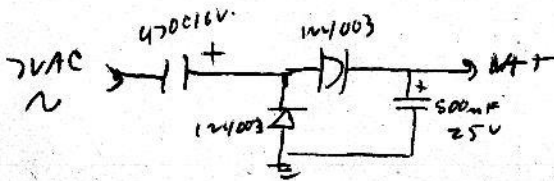
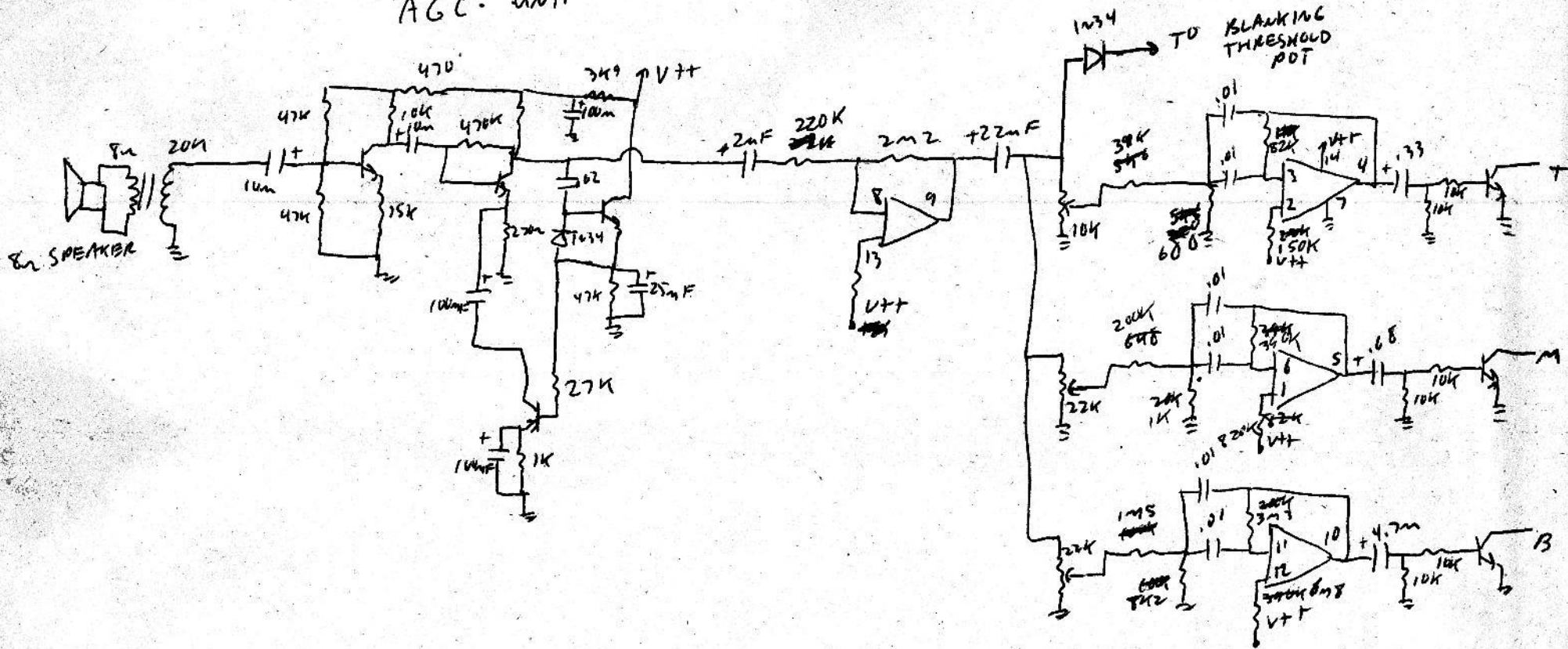
Sept 26/77  
D. F. ...

S/L

SECTION 1

Dale Holland Unit

### AGC UNIT



ALL NPAs = 2N5129 B2100.  
 PNP = 2N404A

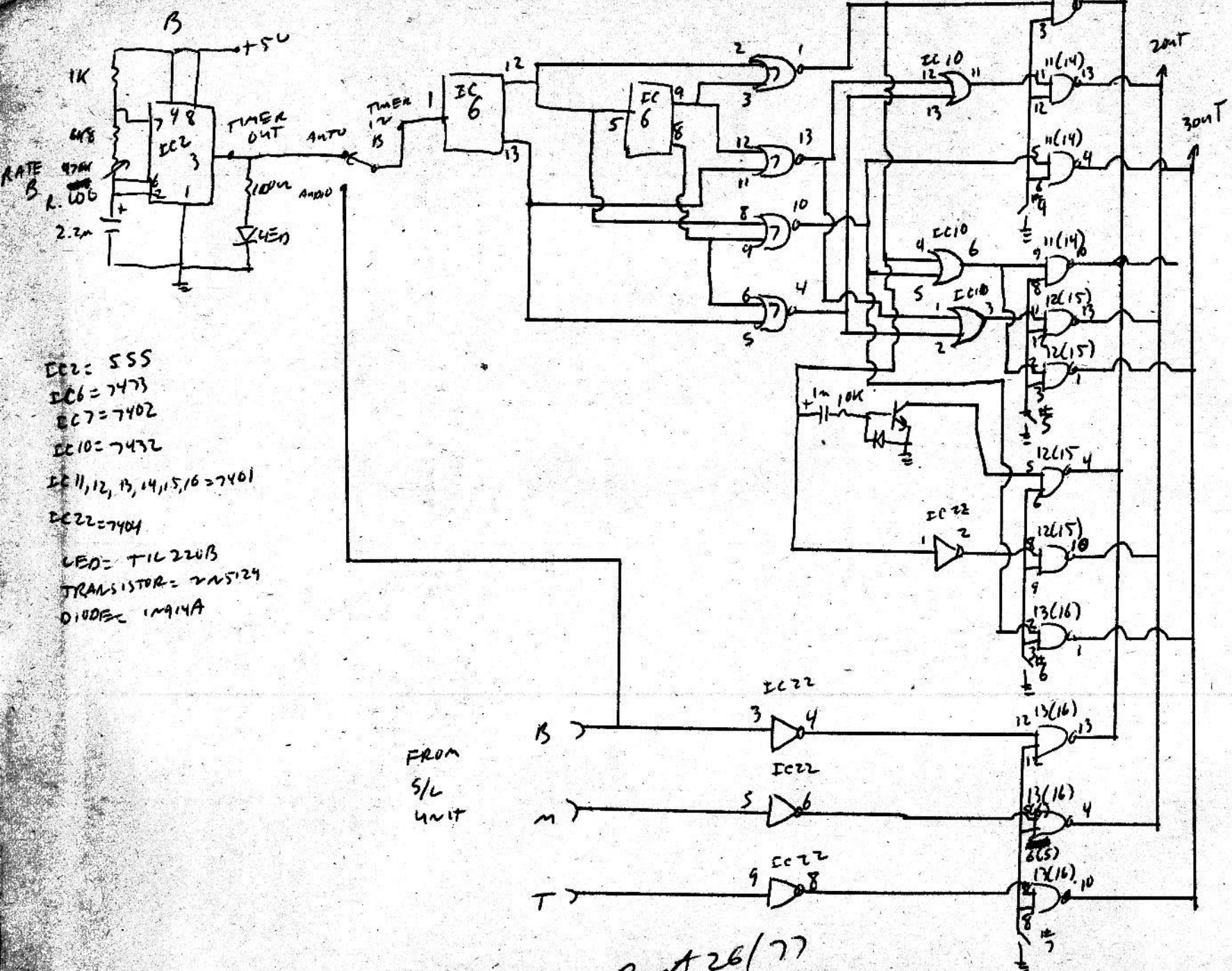
EC = 6m3900

Sept 26/77  
 D. Frase

PARTS	MFR	SUPPLIER	COUNTRY OF MANUFACTURE
DC 1-4-555	NATIONAL	ISOUTEK	USA
DC 5, 6, 21-24	TEXAS	FUTURE	MALAYSIA
DC 7 - 20	FAIRCHILD	FUTURE	INDONESIA
7805 REG.	"	"	USA
LM3400	NATIONAL	VANGUARD.	USA
IC SOCKETS 8 PIN	-	DIGI-KEY	USA
14 PIN	TEXAS	FUTURE	BRAZIL
RESISTORS	ELECTRONORTECHNICA	28E AERO SERVICES	USSR
LINE PWR	VARIOUS	VARIOUS	UK.
MAIN FILTER CAP	EAGLE	BRISKE	CANADA
POWER TRANSFORMERS	JAPAN	FUTURE	JAPAN
AUDIO TRANSFORMER	HAMMOND	CARDINAL	CANADA
HEATSIK	-	WINDSOR	USA
Switches + FUSE HOLDERS	IERC	WESTERN Surplus	USA
Zero Board	Miyama	Cosrad,	JAPAN
Pots	Vero	Electrovalve + CARDINAL.	UK
POWER BOX SWITCH OTHER POTS OUTLETS	East Brimstead	ELECTROVALVE	UK
I/P Jack & standoff's.	McGILL ELECTRIC	VANGUARD	USA
	CTS	Vanguard.	USA
	AMPHEAD	CARDINAL	USA
	Cliff	Berilock.	UK
LEPS	TEXAS	Future.	USA
Perf board	Vector	James.	USA
Other Capacitors	Philips	Vanguard.	HOLLAND
	Nasova	Vanguard.	USA JAPAN
Snake	alpha wire	Cardinal	USA
Snake Connectors	Cinch Jones	Vanguard + Cardinal.	USA
Power Box	Hammond	Cardinal	CANADA
Main Box	J.K. Campbells	J.K. Campbells	CANADA
Paint	Rust-Oleum	Northern Paint	CANADA
Wire	Unknown	Vanguard.	USA
Insulator TV-3/Socket	Keystone	Vanguard.	USA

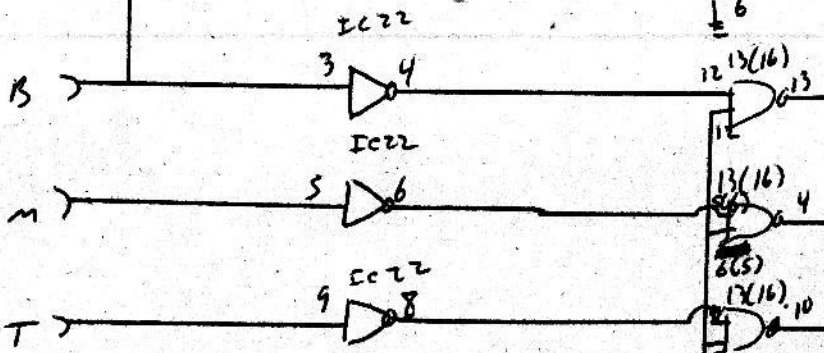
EFFECTS 4, 5, 6, 7.

# Duke Holland Unit



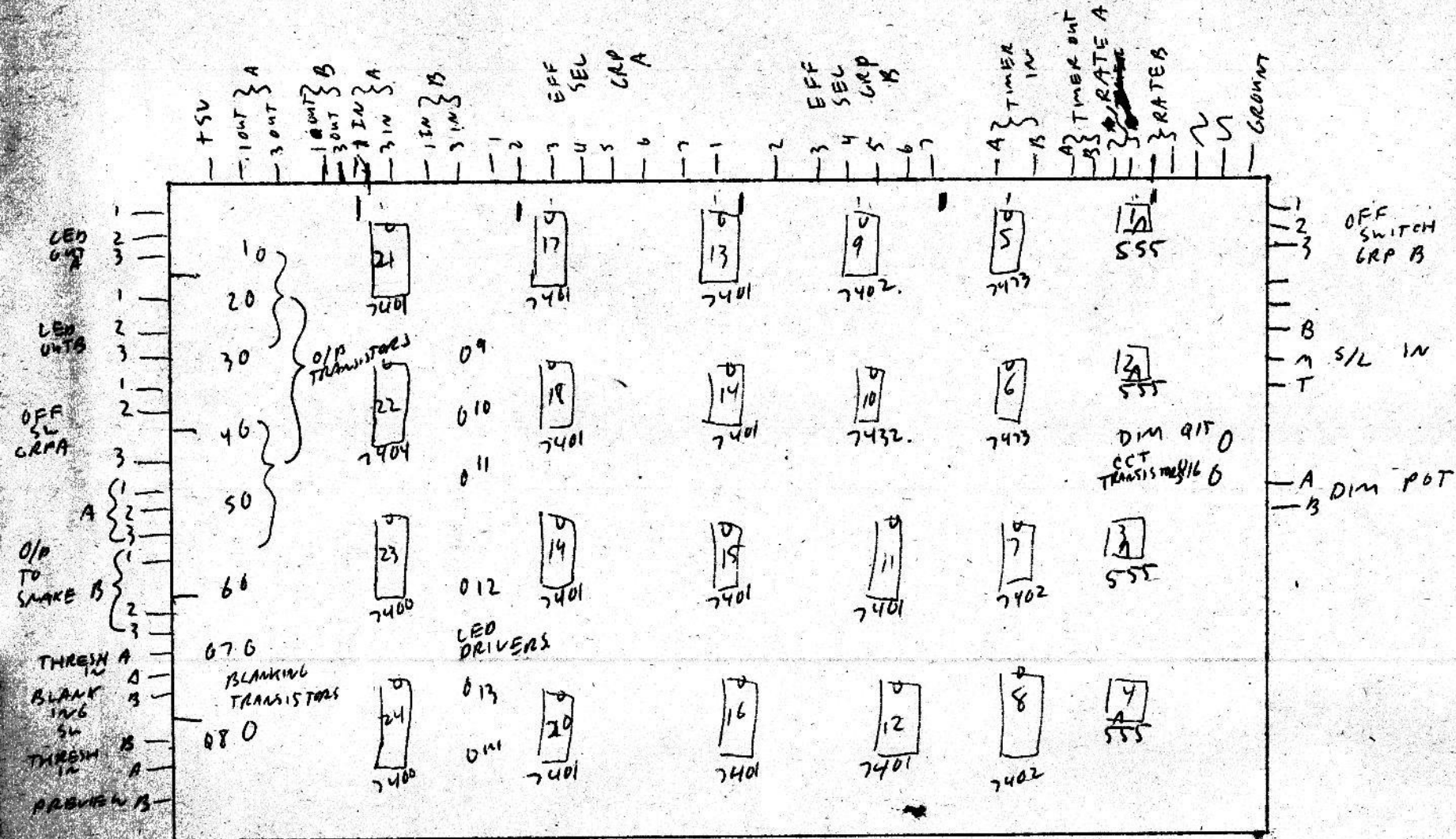
- IC2 = 555
- IC6 = 7473
- IC7 = 7402
- IC10 = 7432
- IC11, 12, 13, 14, 15, 16 = 7401
- IC22 = 7404
- LED = TIL220B
- TRANSISTOR = 2N529
- DIODE = 1N914A

FROM  
S/L  
UNIT



Sept 26/77  
D. F. Rose

# Duke Holland Unit



BOARD LAYOUT  
PIC #15

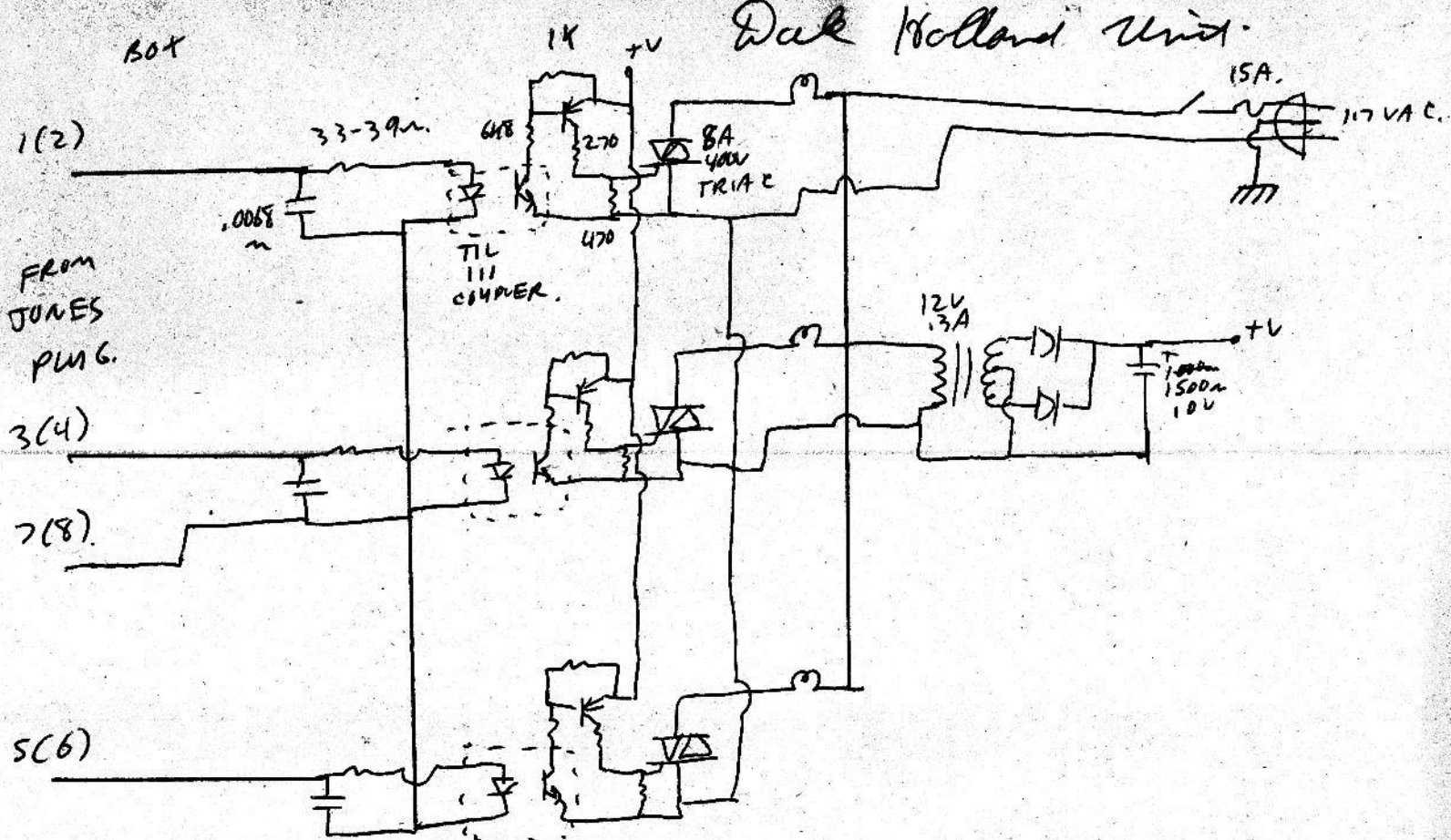
- 555 INSERTED IN  
OPPOSITE DIRECTION  
FROM OTHER IC'S.

Sept 26 (77)  
D. F. ...

POWER

BOX

Dak Holland Unit

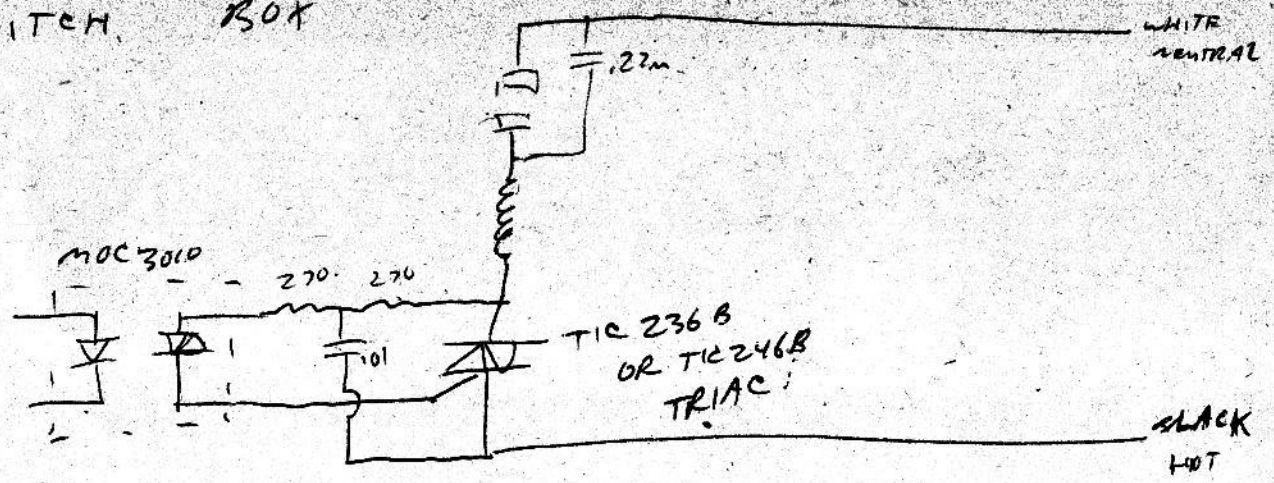


PNP IS = 2N3906

Sept 26/77

D. F. [Signature]

NEW SWITCH BOX



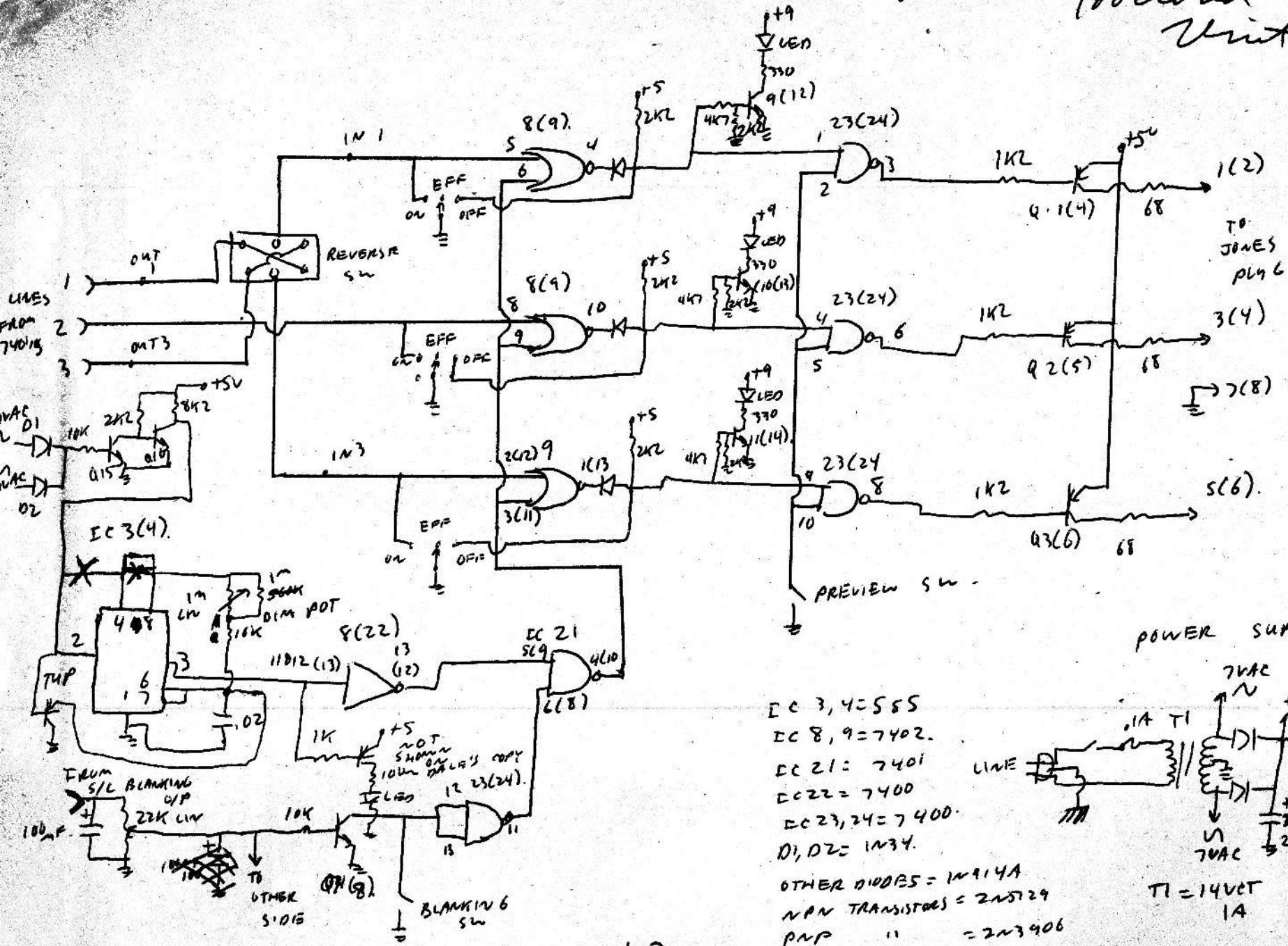
12 TIMES

2 GRAMS OF 6.

June 1/75  
D. F. [Signature]

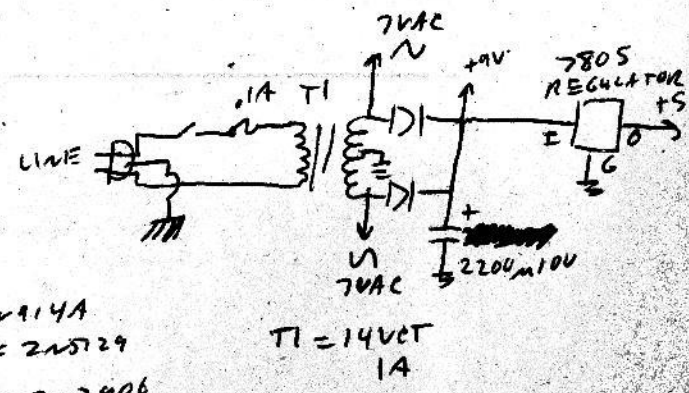
CONTROL CIRCUITRY

Dale (Holland Unit)



- IC 3, 4 = 555
- IC 8, 9 = 7402
- IC 21 = 7401
- IC 22 = 7400
- IC 23, 24 = 7400
- D1, D2 = 1N734
- OTHER DIODES = 1N914
- NPN TRANSISTORS = 2N5729
- PNP " = 2N3906
- LEDS = TIL220B

POWER SUPPLY

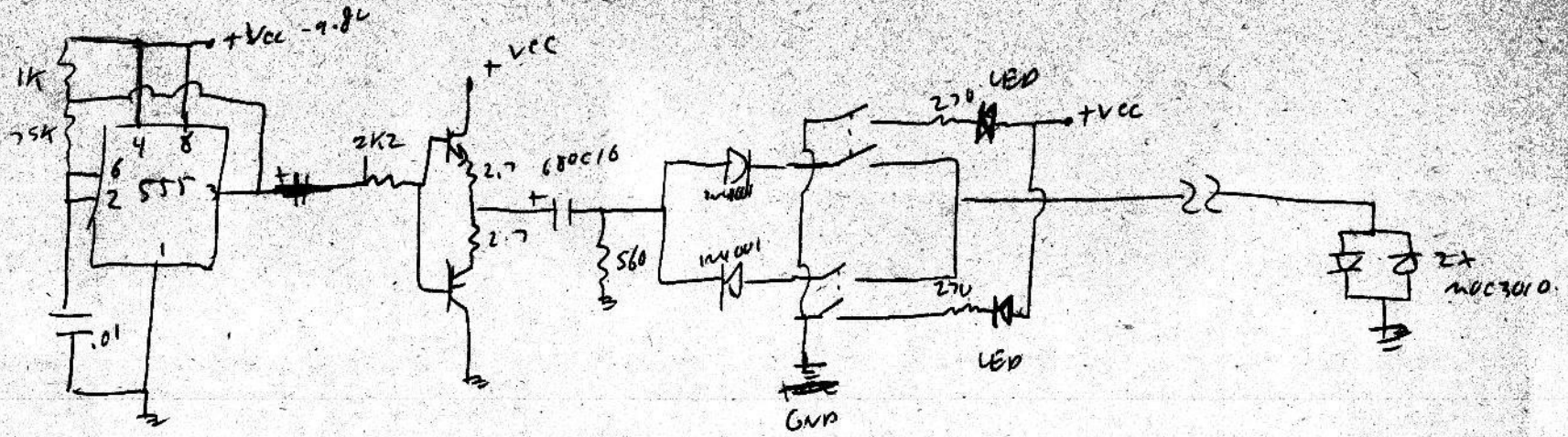


Sept 26/77  
D. Fosse



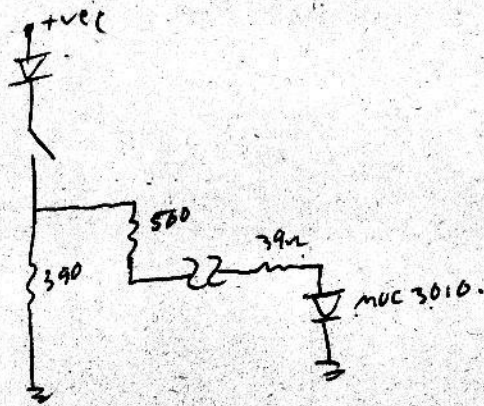
SWITCHES

798



switches

9-12



June 1/78

D. From