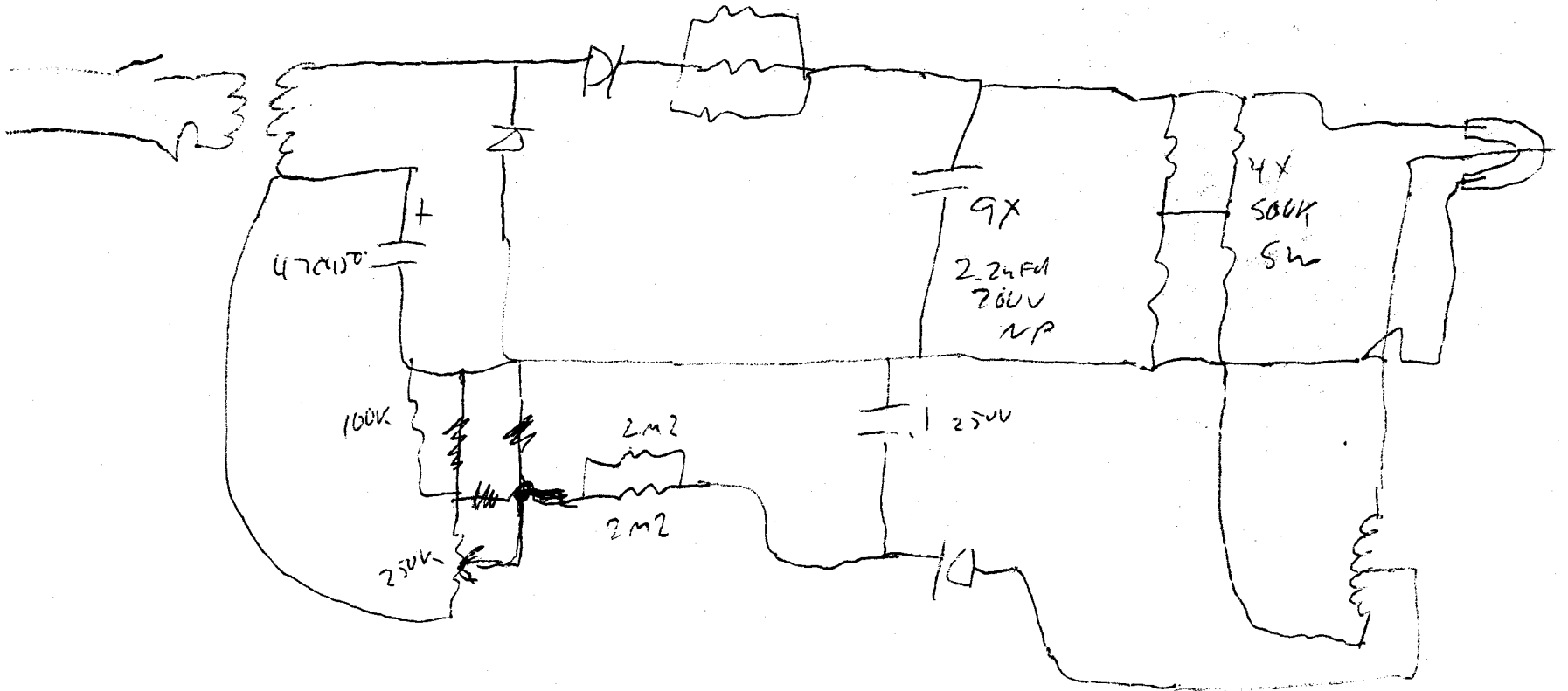
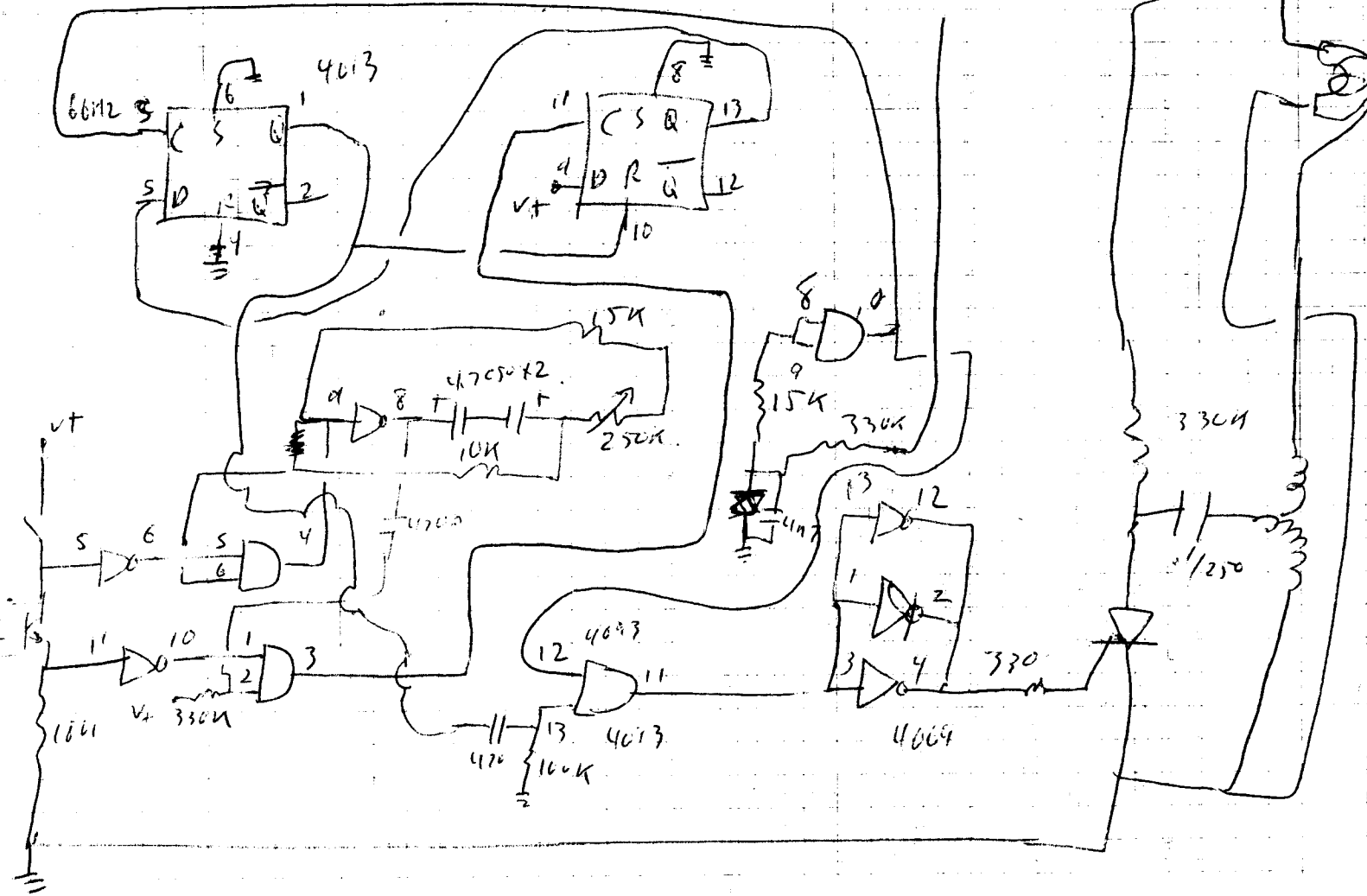
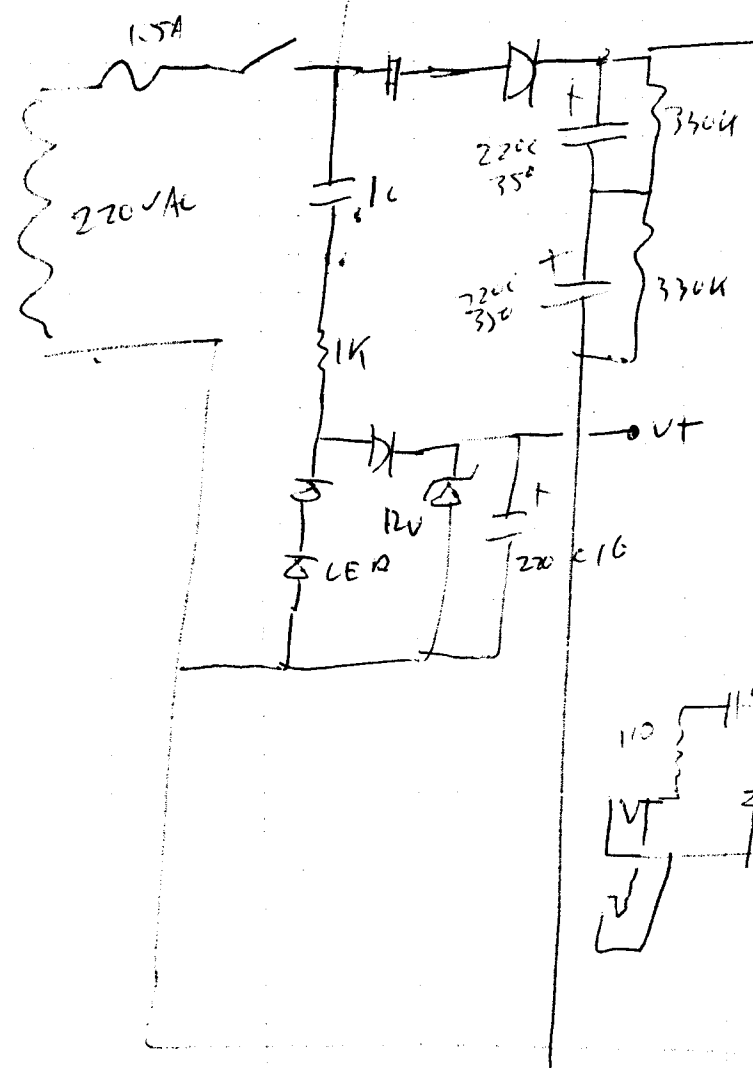


3 SPARKS
ALL

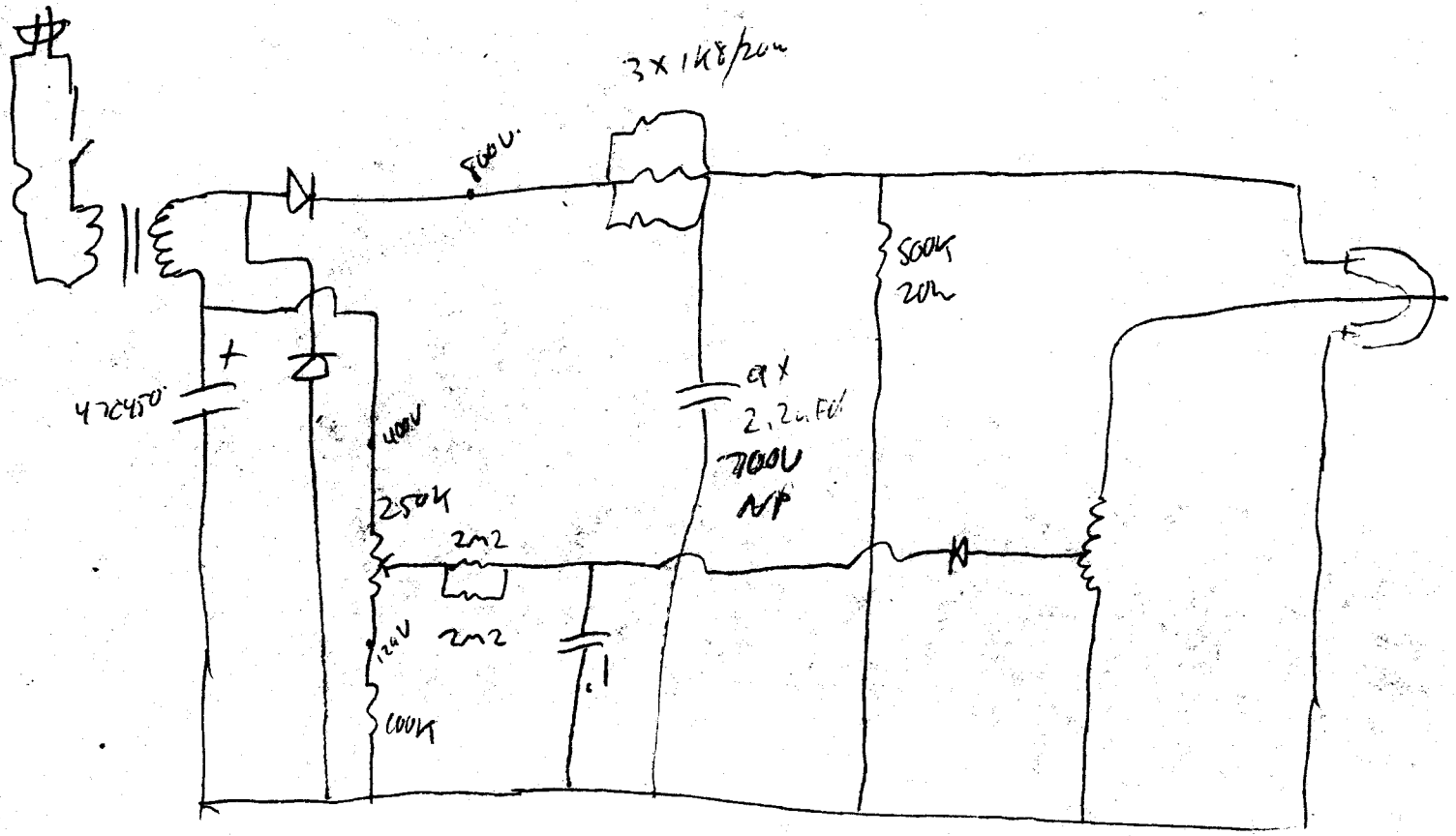
3X 1K8
20W



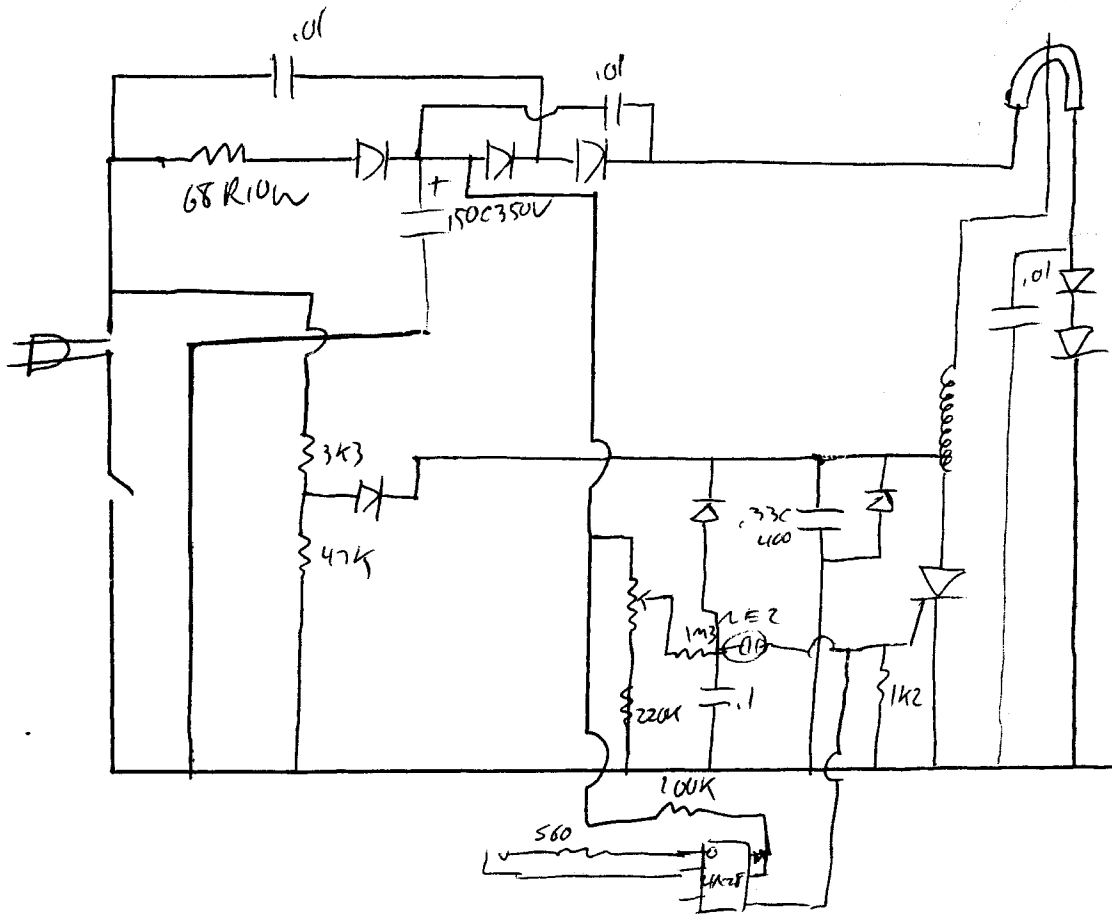
10KHz Mod



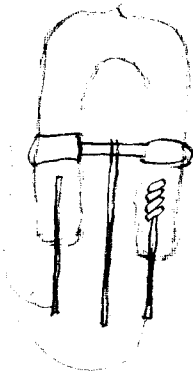
ICE STAR FLASH
STROBE H 4819



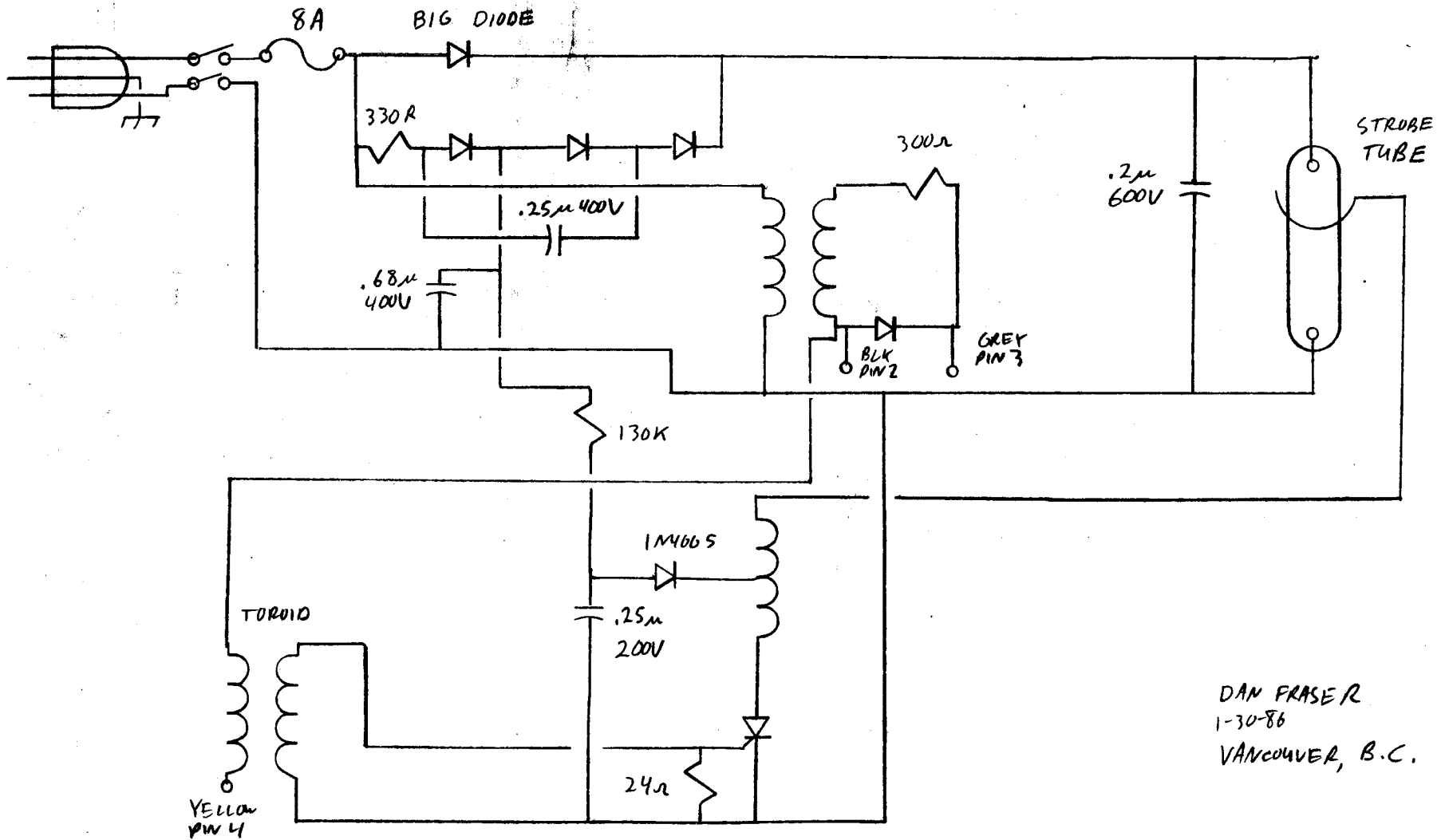
ITE STROUSE



DDS 1091
STROBE



DIVERSITRONICS STROBE

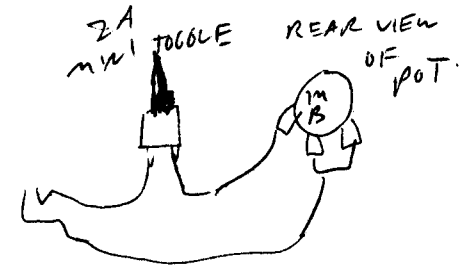
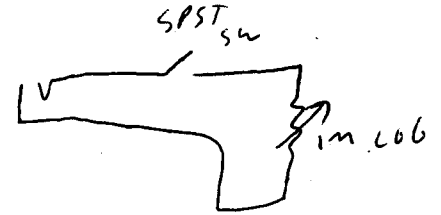


DAN FRASER
1-30-86
VANCOUVER, B.C.

DS- STROBE REMOTE

CONTROL

1411L HAMMOND



MINI BOT

SOLD 2 TO
 VERN - OCT 21/77
 for \$35.00/PR - NO
 CABLE

1 to 77 club for
 25.00 WITH CABLE

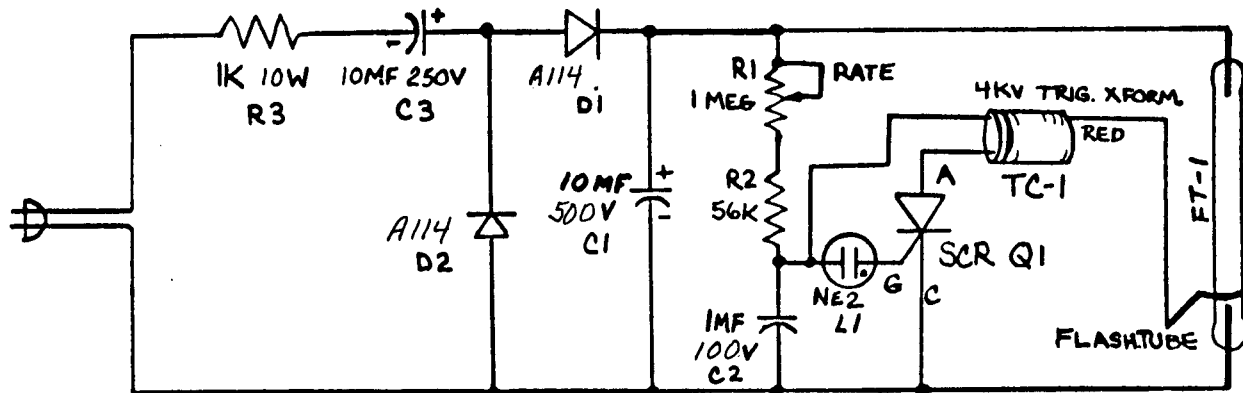
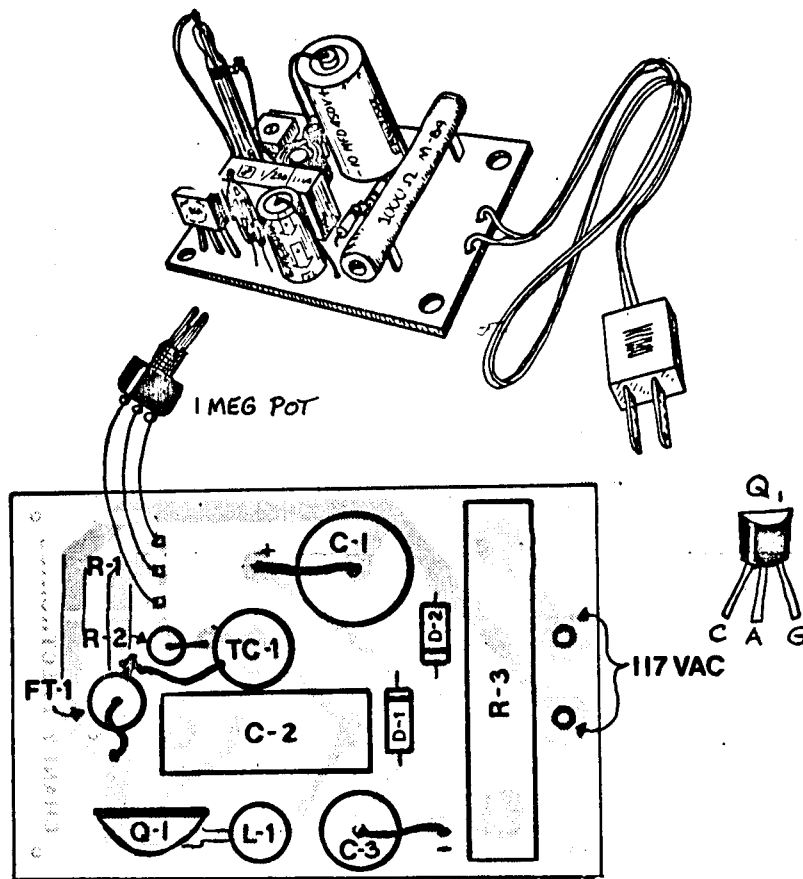
STROBE LIGHT KIT

R-1 1 MEG POT
 R-2 56K 1/4 WATT RESISTOR
 R-3 1K 10 WATT RESISTOR
 C-1 10MFD 500V ELECTROLYTIC
 C-2 1MFD 100V MYLAR
 C-3 10MFD 250V ELECTROLYTIC
 D-1 A114 400V DIODE
 D-2 A114 400V DIODE
 L-1 NE2 LAMP
 TC-1 4KV TRIGGER TRANSFORMER
 Q-1 400V SCR
 FT-1 STANDARD STROBE TUBE
 LINE CORD
 PC BOARD

WIRE PER LAYOUT, SCHEMATIC AND PARTS LIST.

USE INSULATED WIRE TO CONNECT TOP LEAD OF FT-1 TO PC BOARD. CONNECT 4KV TRIGGER LEAD (RED WIRE) DIRECTLY TO BAND ON FT-1 AND MOUNT BOTTOM LEAD OF FT-1 DIRECTLY TO BOARD. Q1 IS MOUNTED WITH THE TAB TOWARDS THE CENTER OF BOARD (SEE PICTURE OF COMPLETED BOARD). R-1 ADJUSTS THE FLASHING RATE. OBSERVE POLARITY ON ALL ELECTROLYTICS AND DIODES.

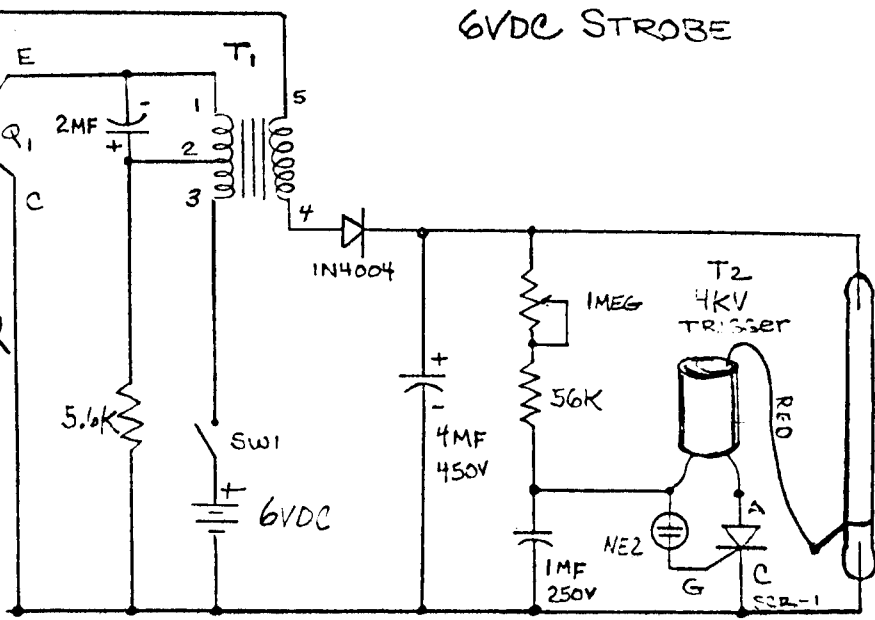
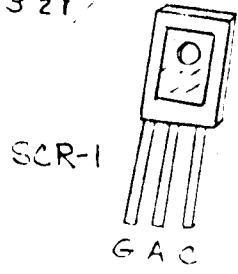
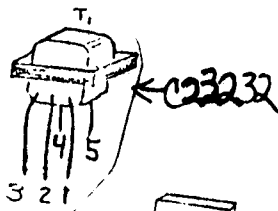
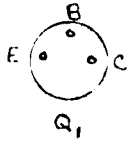
CAUTION!
 SINCE THE AC LINE CONNECTS DIRECTLY TO THE BOARD, HAZARDOUS VOLTAGES MAY BE PRESENT. DO NOT MOUNT IN METAL BOXES (USE PLASTIC OR WOOD) AND PREVENT OTHERS FROM COMING IN CONTACT WITH ANY PART OF THE BOARD WHEN POWER IS ON.



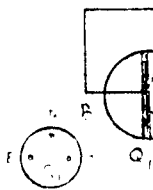
(Top)
 (Bottom)
 OBSERVE Polarity OR
 UNIT Will Not FLASH

ADV136

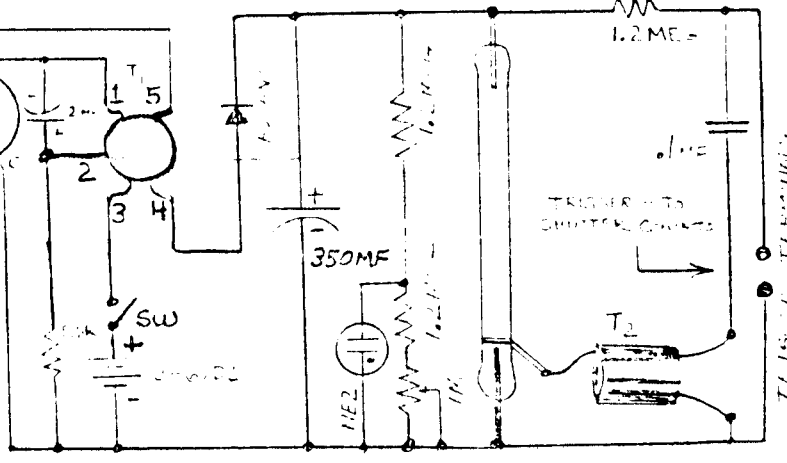
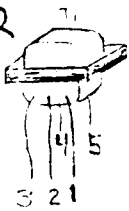
6VDC STROBE



CAMERA FLASH UNIT



C23232



120VAC STROBE

OBSERVE POLARITY OF ELECTROLYTICS AND MAKE FLASHTUBE CONNECTIONS EXACTLY AS SHOWN. ADJUST 1MEG TRIMMER FOR DESIRED RATE

CAUTION: HIGH VOLTAGES ARE PRESENT

