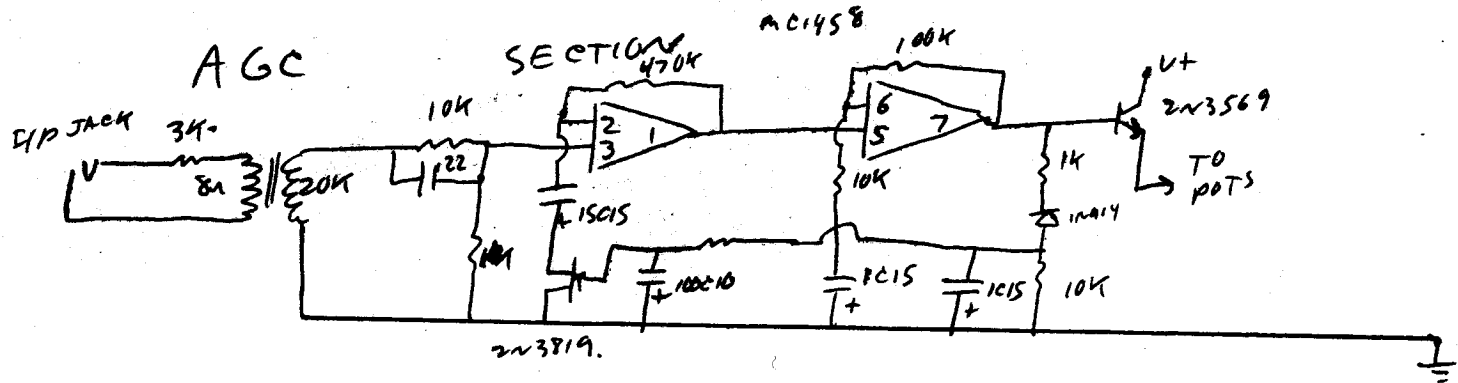


FRASER ELECTRONICS
 P.O. BOX 778 - EDMONTON, ALBERTA T5J 2L4 - (403) 428-9655

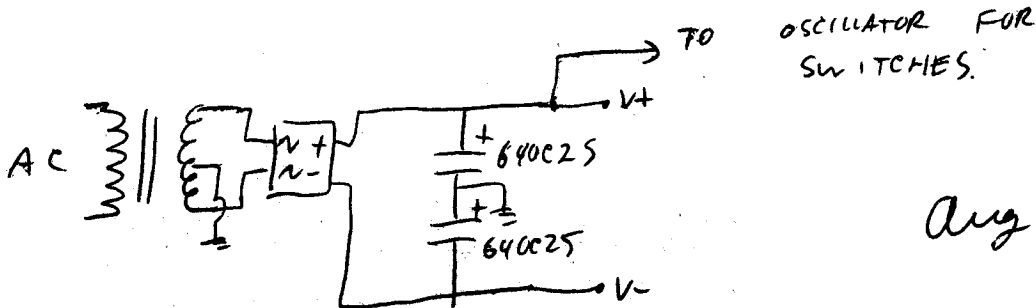
Caper

S/L BOARD.

1/9



S/L POWER SUPPLY



Aug 1 78
 D. Fraser

2/9

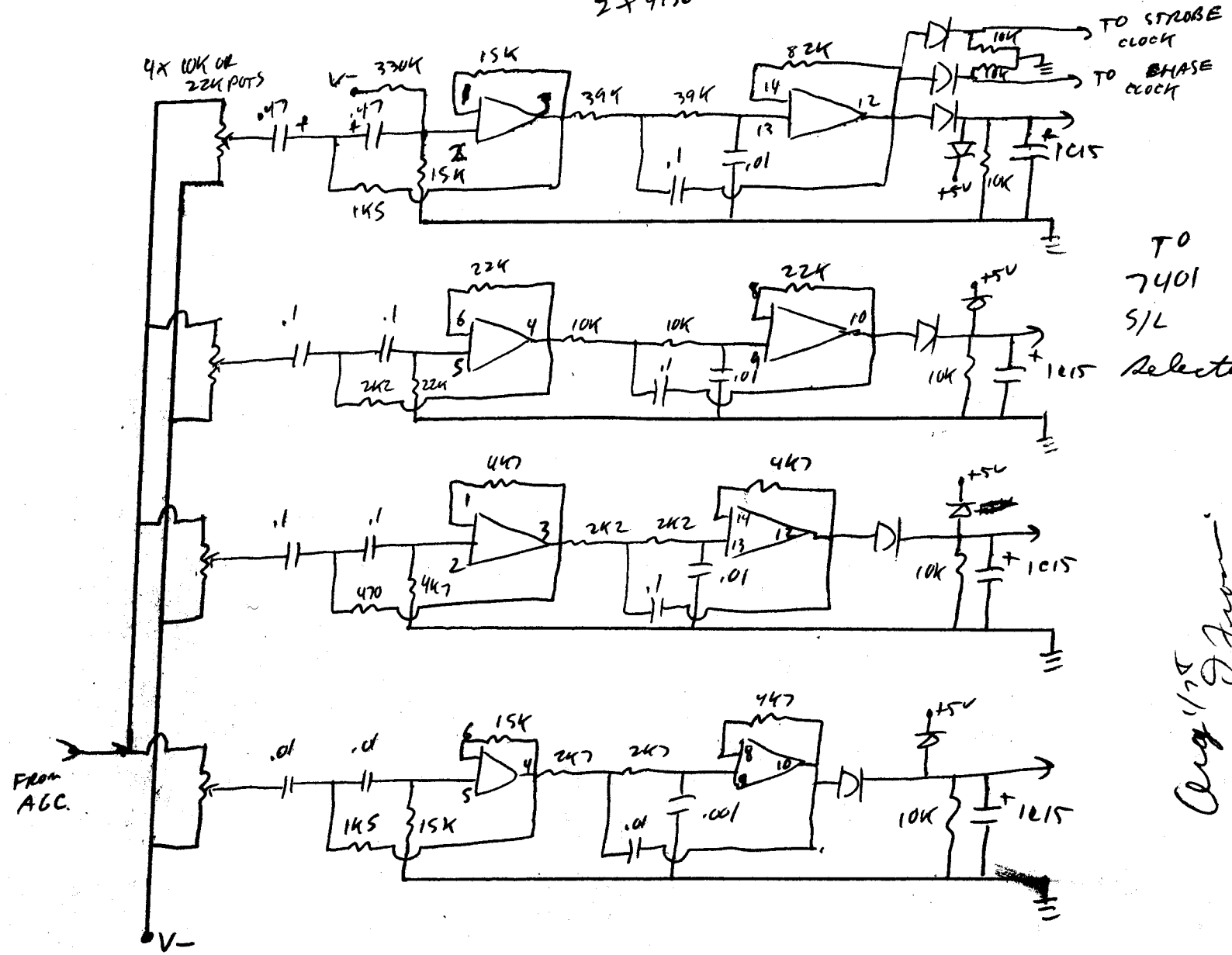
SECTION

FILTER

BOARD

S/L

2x 4136 I.C.



TO
7401
S/L
Selector.

Aug 11/75 J. Brown

all DIODES
= 1N34A

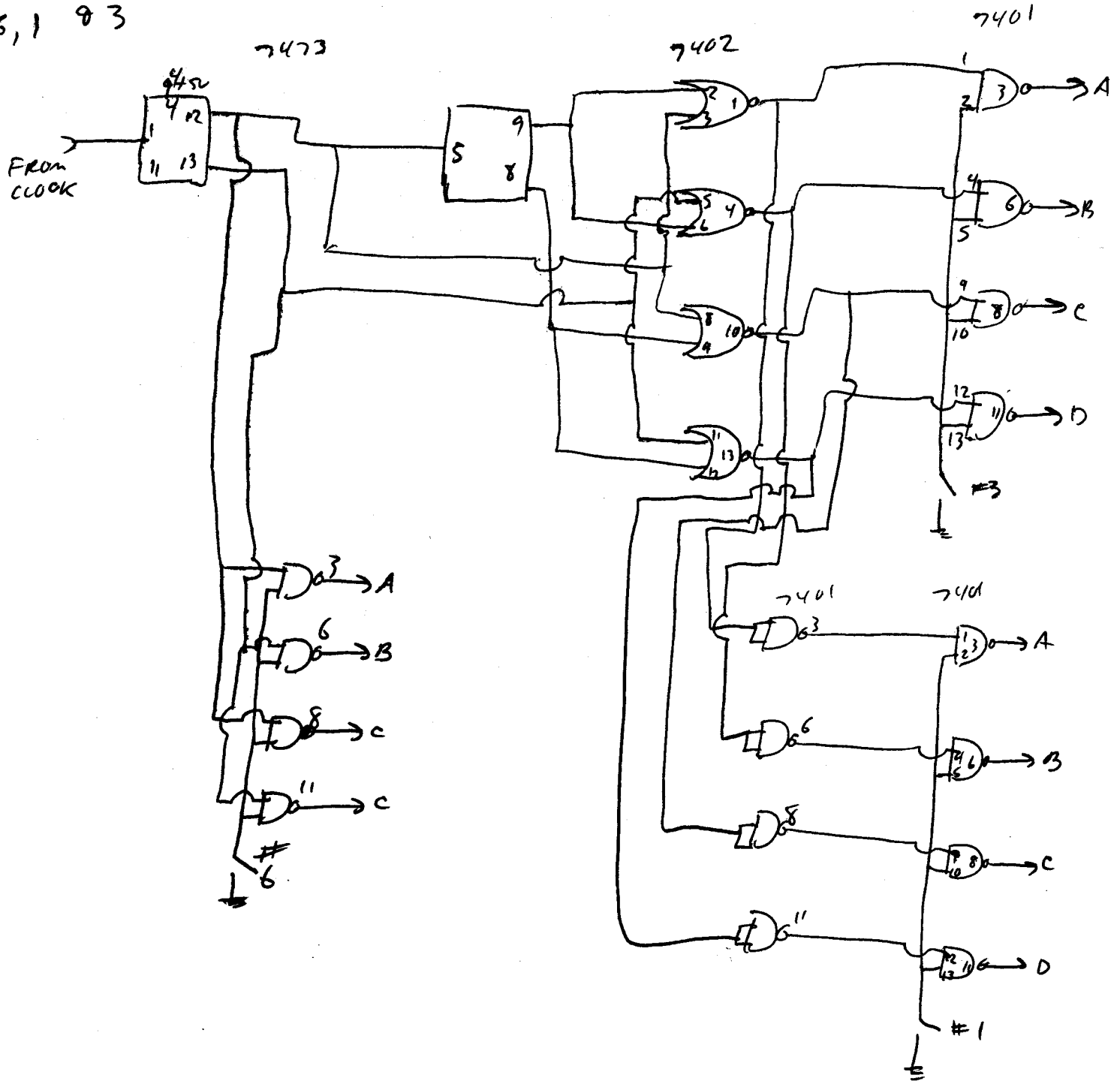
FRASER ELECTRONICS

P.O. BOX 778 - EDMONTON, ALBERTA T5J 2L4 - (403) 428-9655

Chase Effects.

3/9

6, 1 9 3



Aug 11/78
D. Fraser

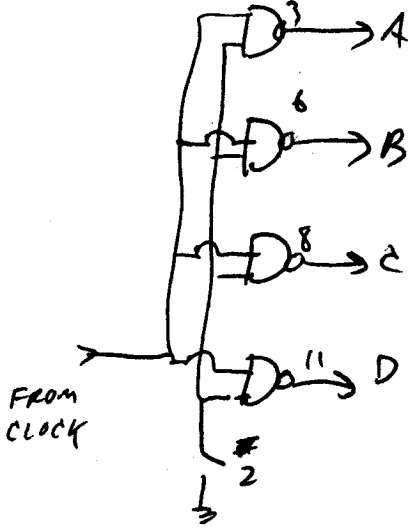
FRASER ELECTRONICS

P.O. BOX 778 · EDMONTON, ALBERTA T5J 2L4 · (403) 428-9655

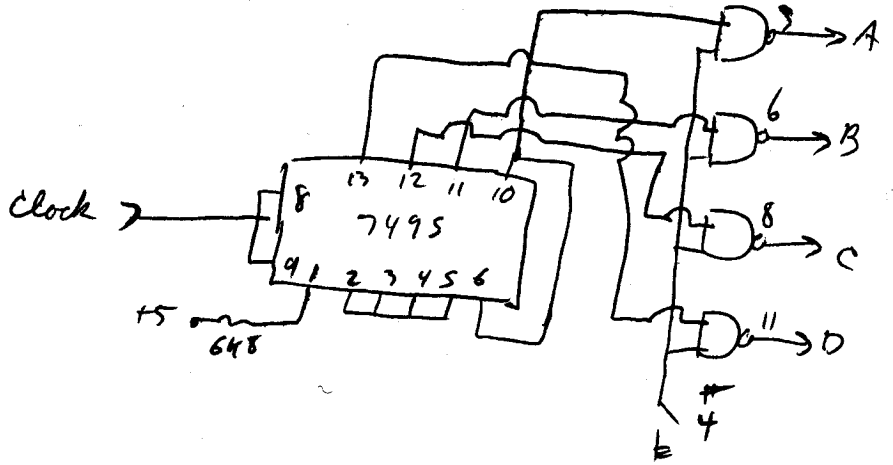
4/9

Chase Effects

#2

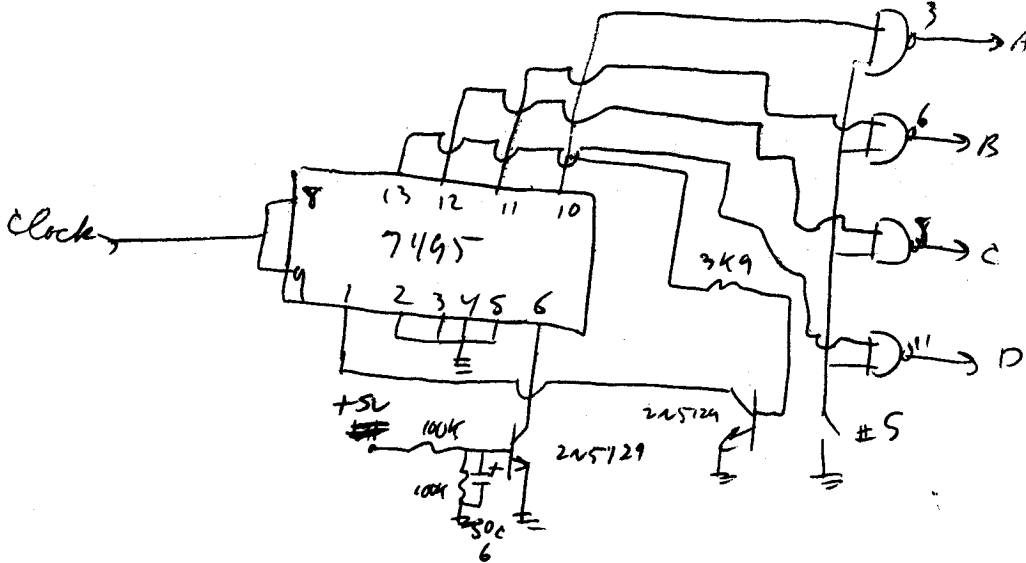


4

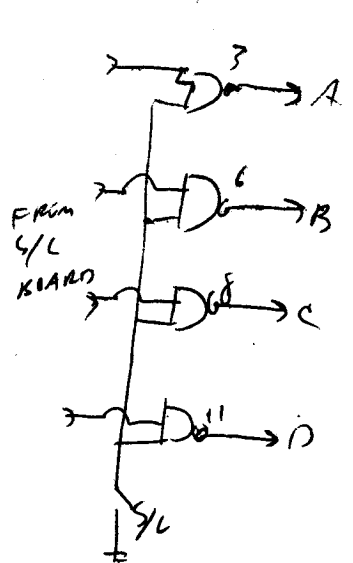


5

7495



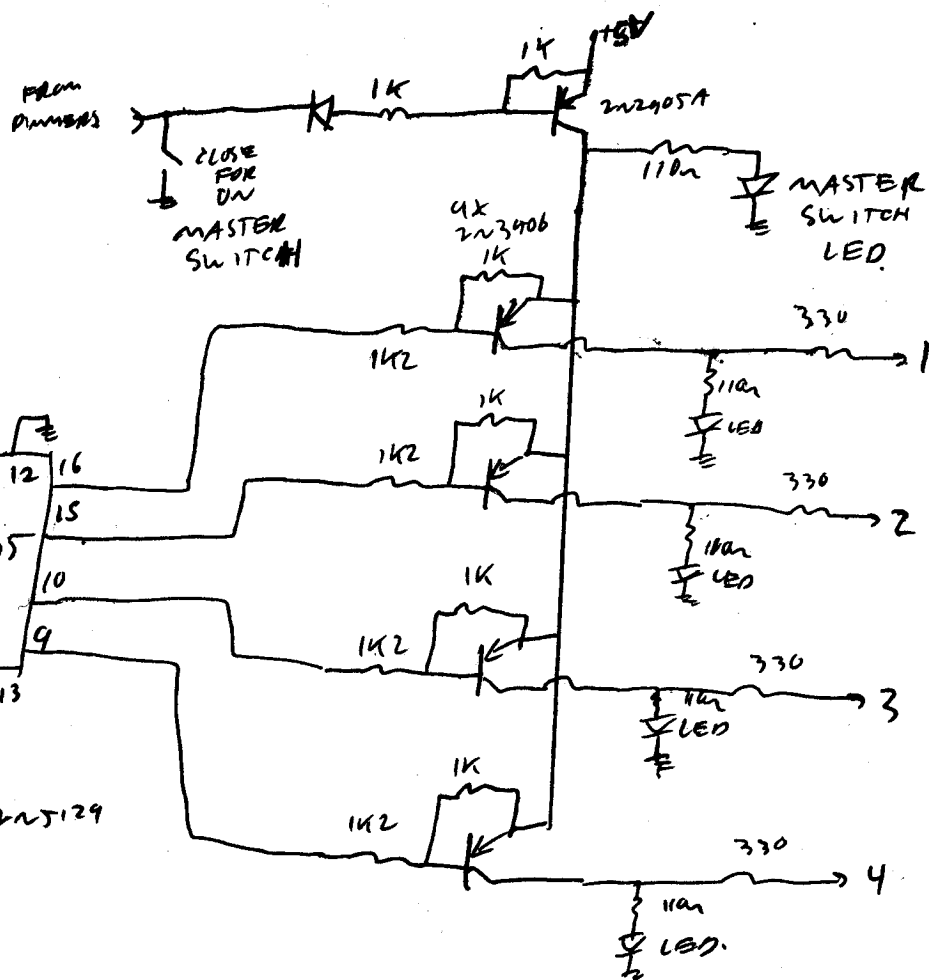
5/L



Aug 1/78

D. F. Brown

5/9



AC SOCKET
ON PWR
BOX
(13)

TO PINS ON
(14) JONES
SOCKET

(15)

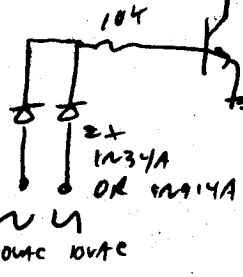
(16)

FROM
3+4

FROM
PUMPS

CLOSE
FOR
ON
MASTER
SWITCH

MASTER
SWITCH
LED



Effects Output Section

Aug 1/78
D. Aron

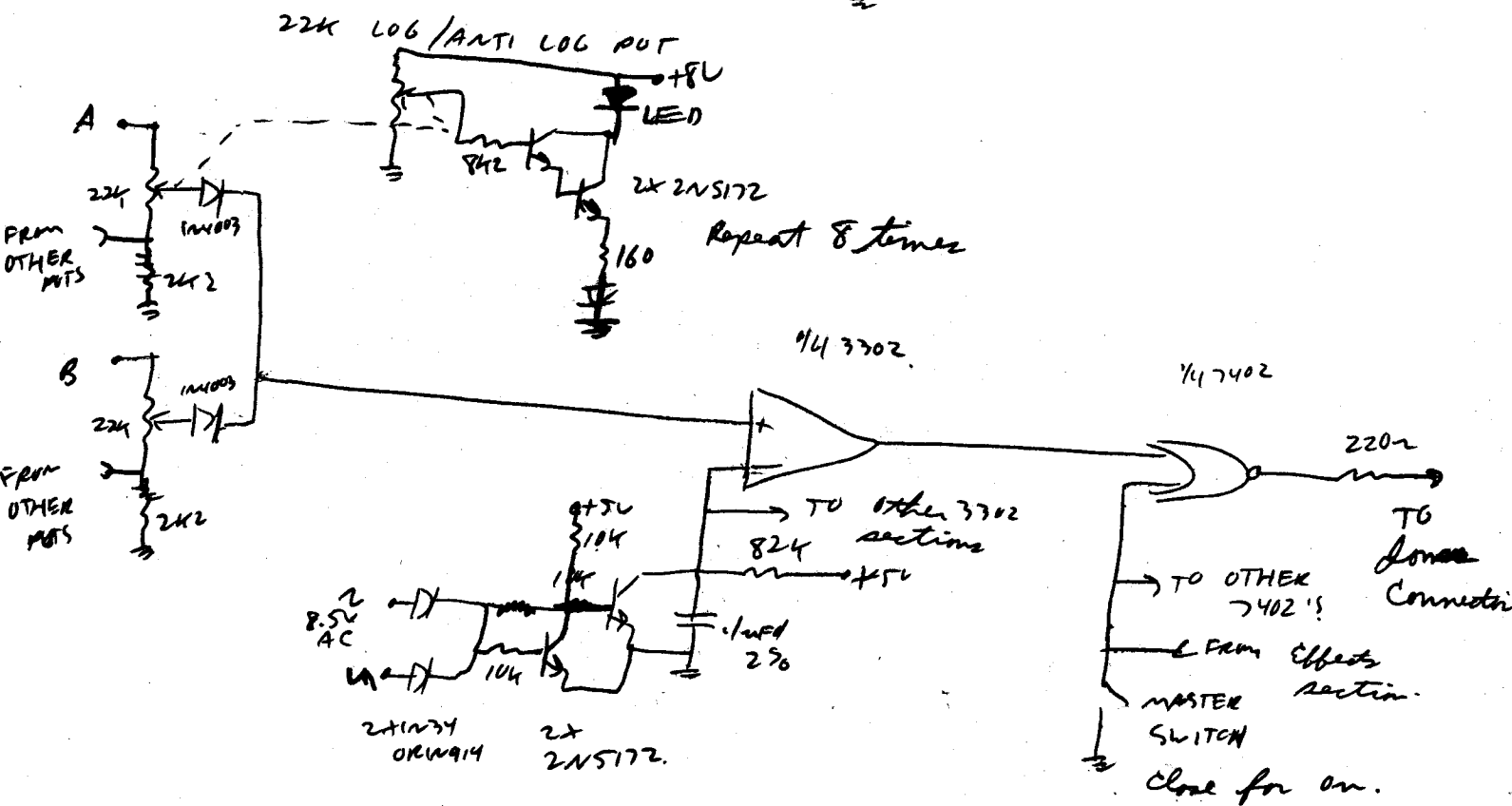
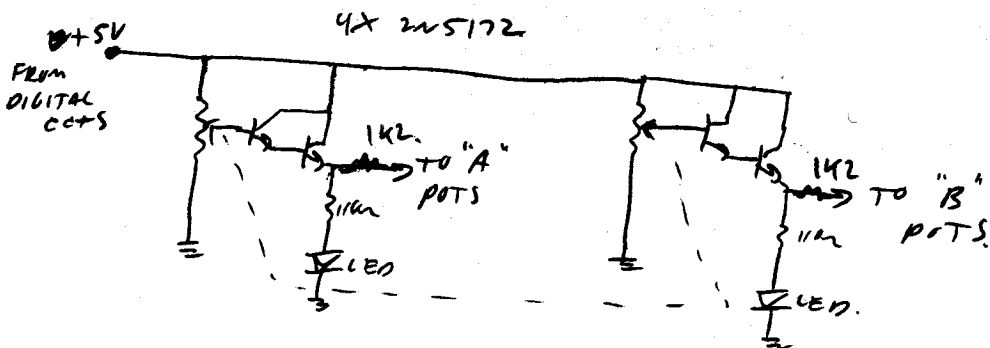
6/9

Dimmer Section.

Cross Fade CCT

Jones
 Pin # Socket #

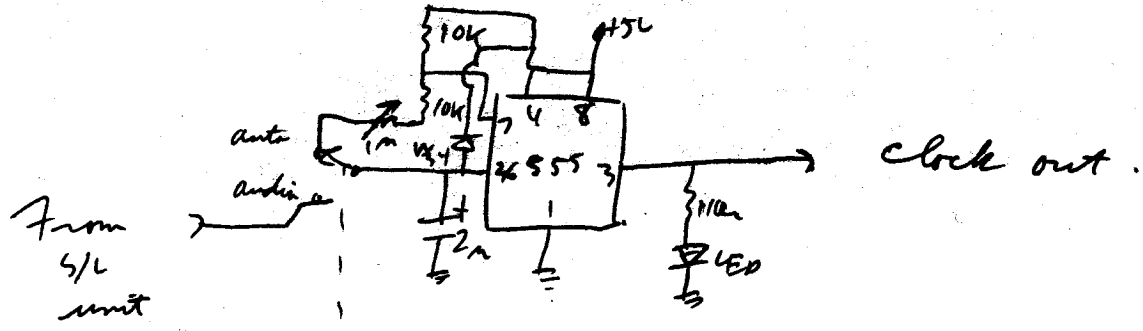
- 5 - 12
- 6 - 11
- 7 - 10
- 8 - 9



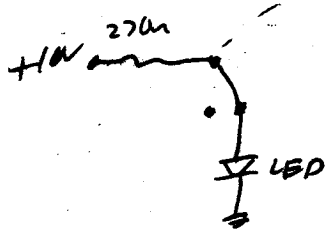
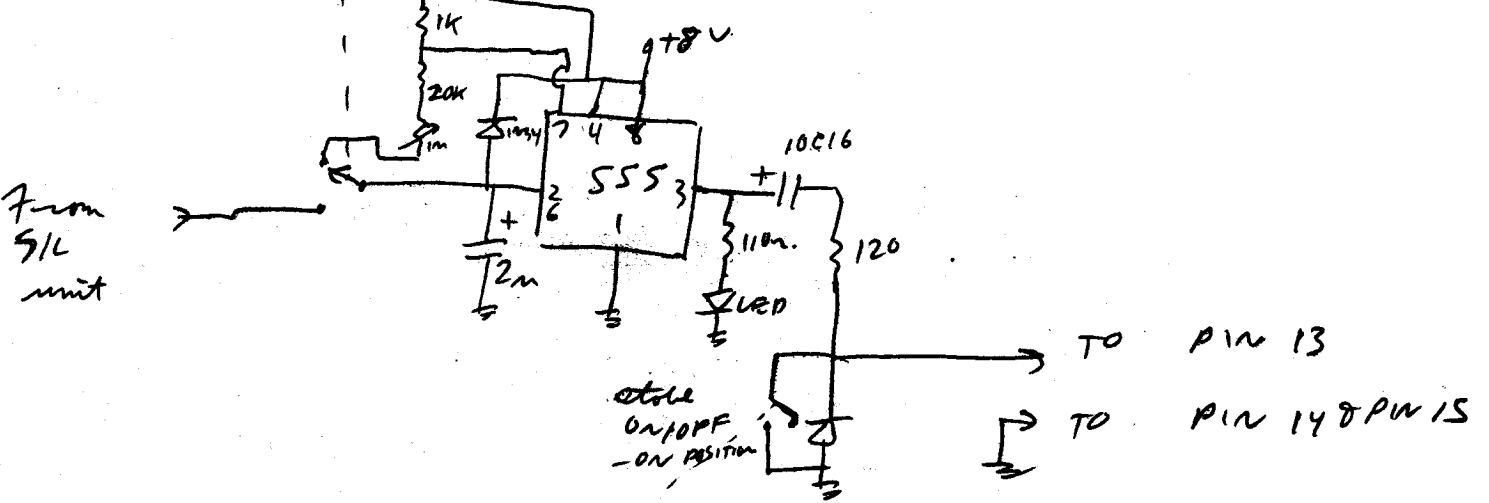
Repeat 4 times

any 1/28
 D. From

Clock cct

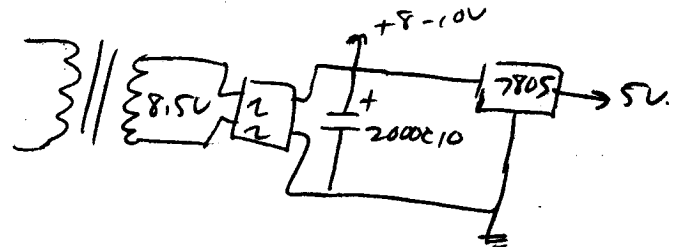


Strobe control



5V Power Supply.

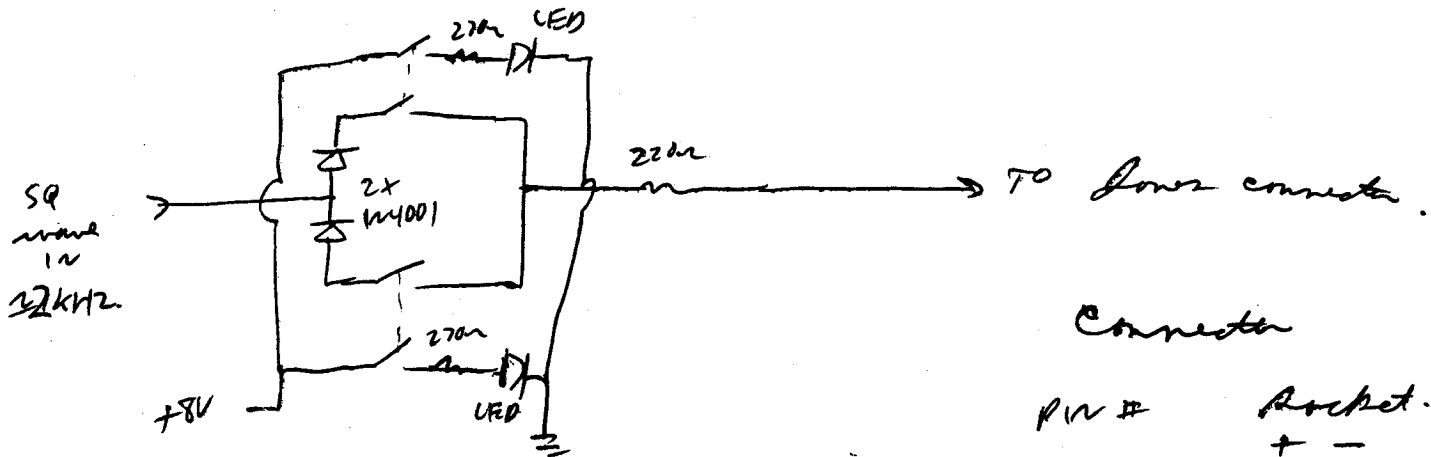
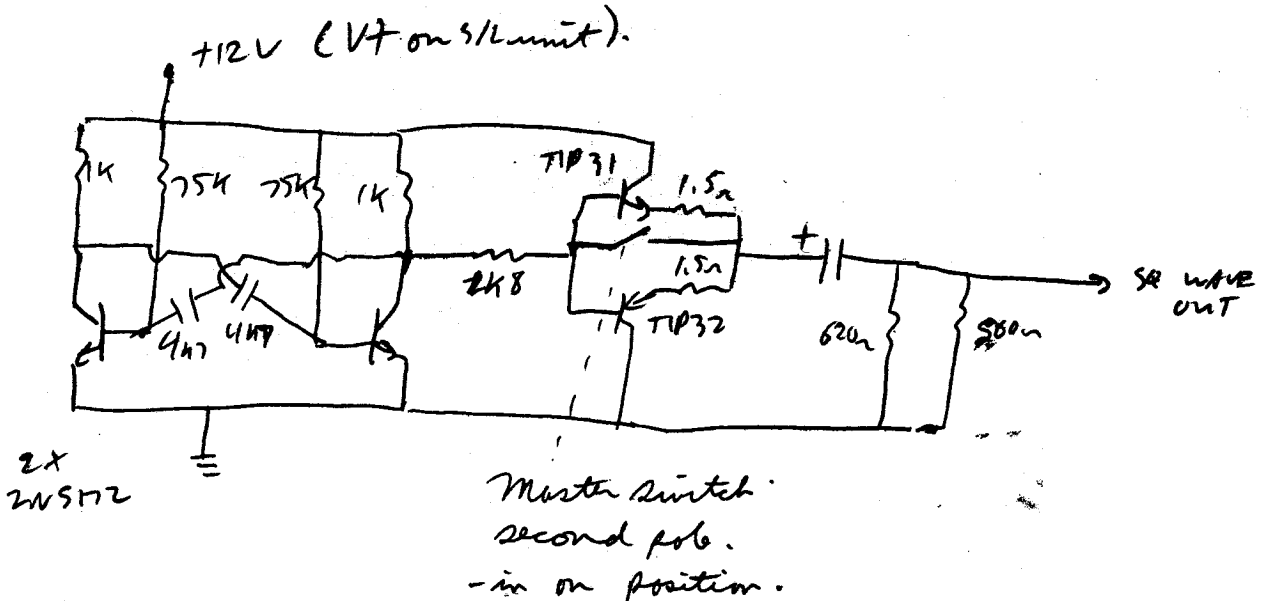
use
3/4A
S.B.
Fuse



Any 1/78
2 From

8/9

SWITCHES



Connect

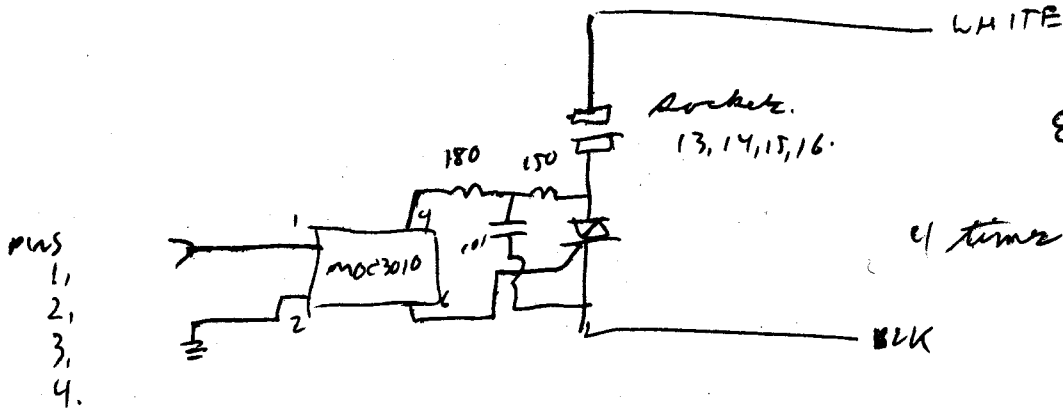
PIN #	Socket.
	+ -
9	4, 8
10	3, 7
11	2, 6
12	1, 5

Aug 1/78
 J. From

Power Box

9/9

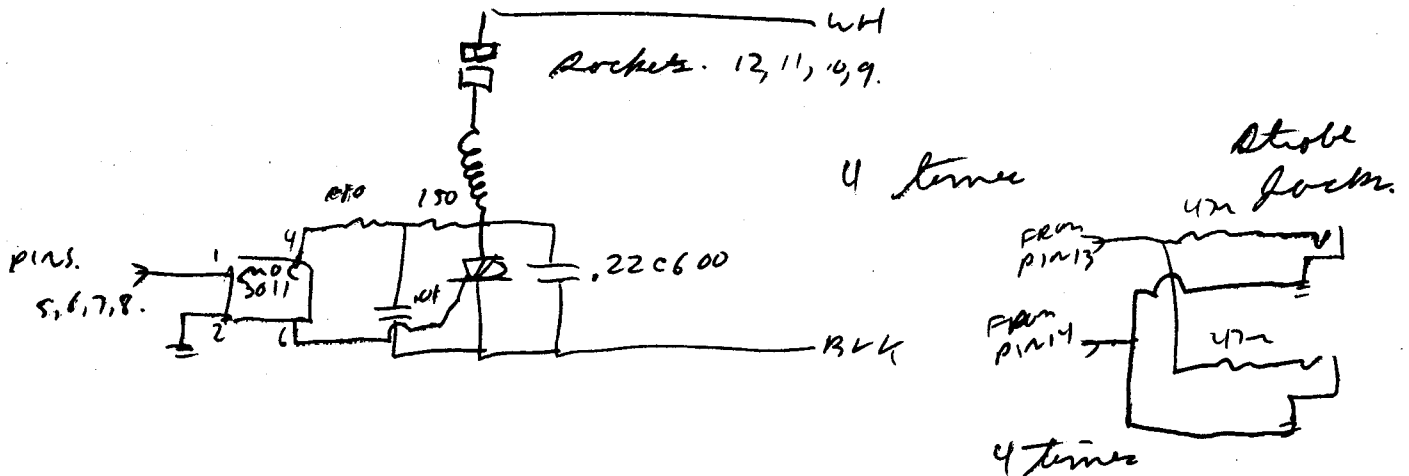
Effects CIRCUITS.



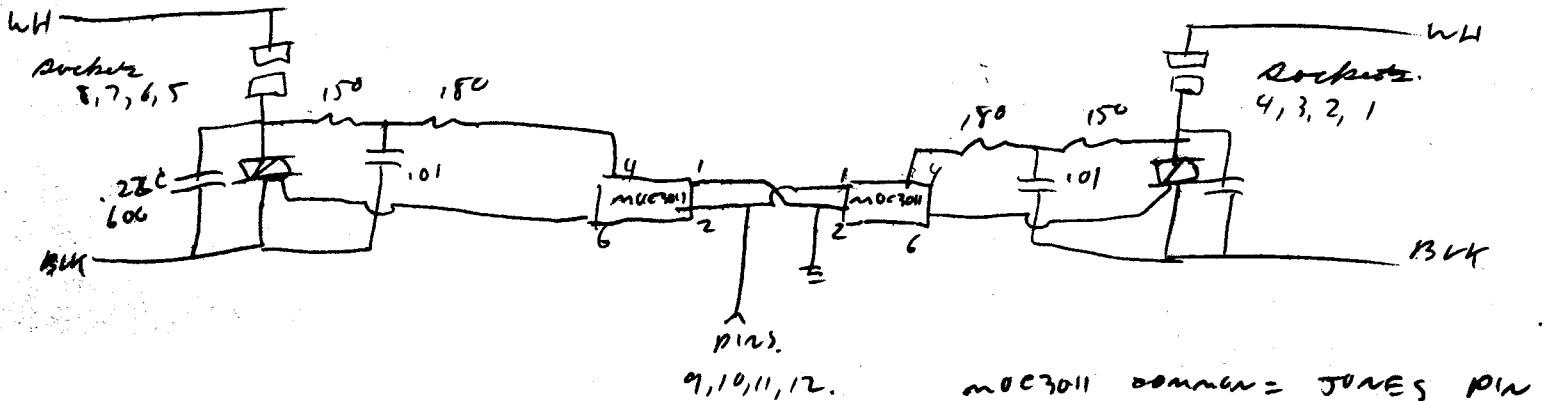
Dimmers

ALL TRIACS
20A

TIC 263B



Switches



Aug 198
D. Aron.