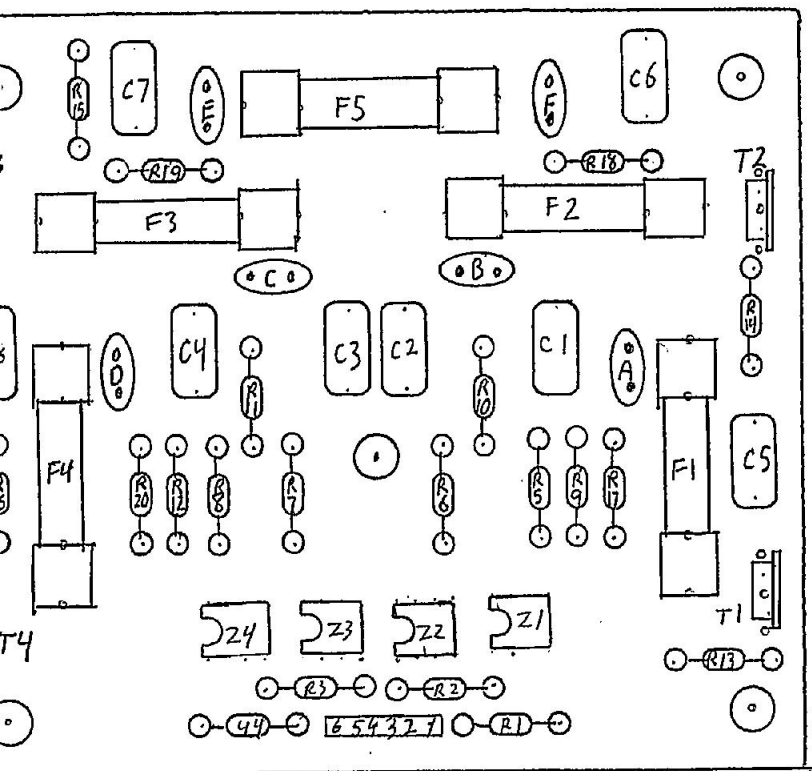


PM-1 TRIAC BOARD

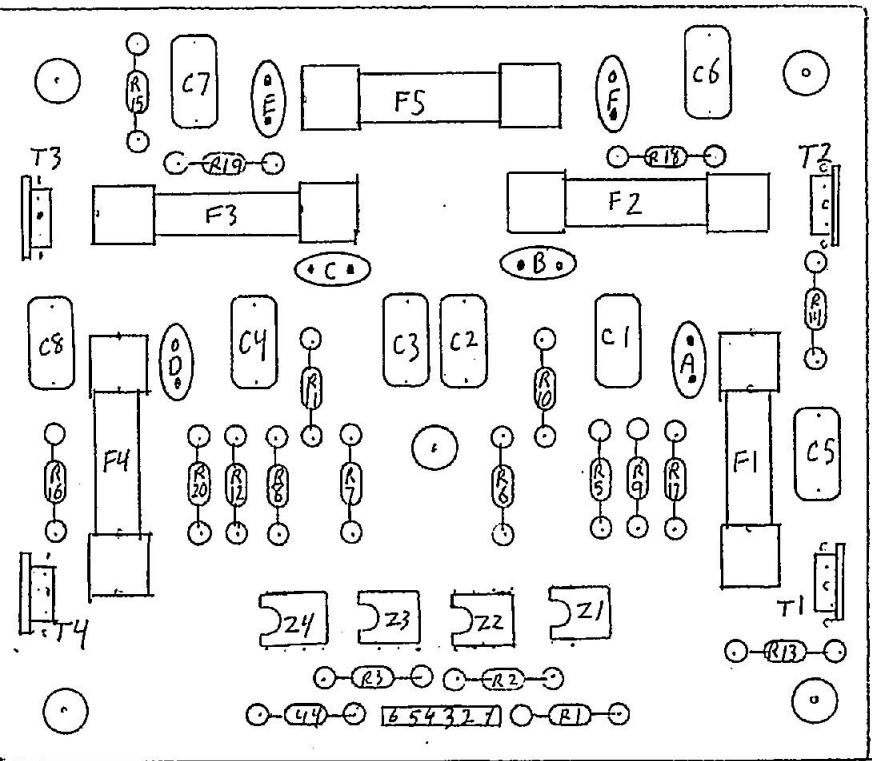


FRASER ELECTRONICS
 MAY 18, 1986
 © Dan Fraser
 VANCOUVER, B.C.

OPTOS - LEFT = COM + (PULL DOWN)
 - RIGHT = COM - (PULL UP)

COMPONENT SIDE VIEW

PM-1 TRIAC BOARD



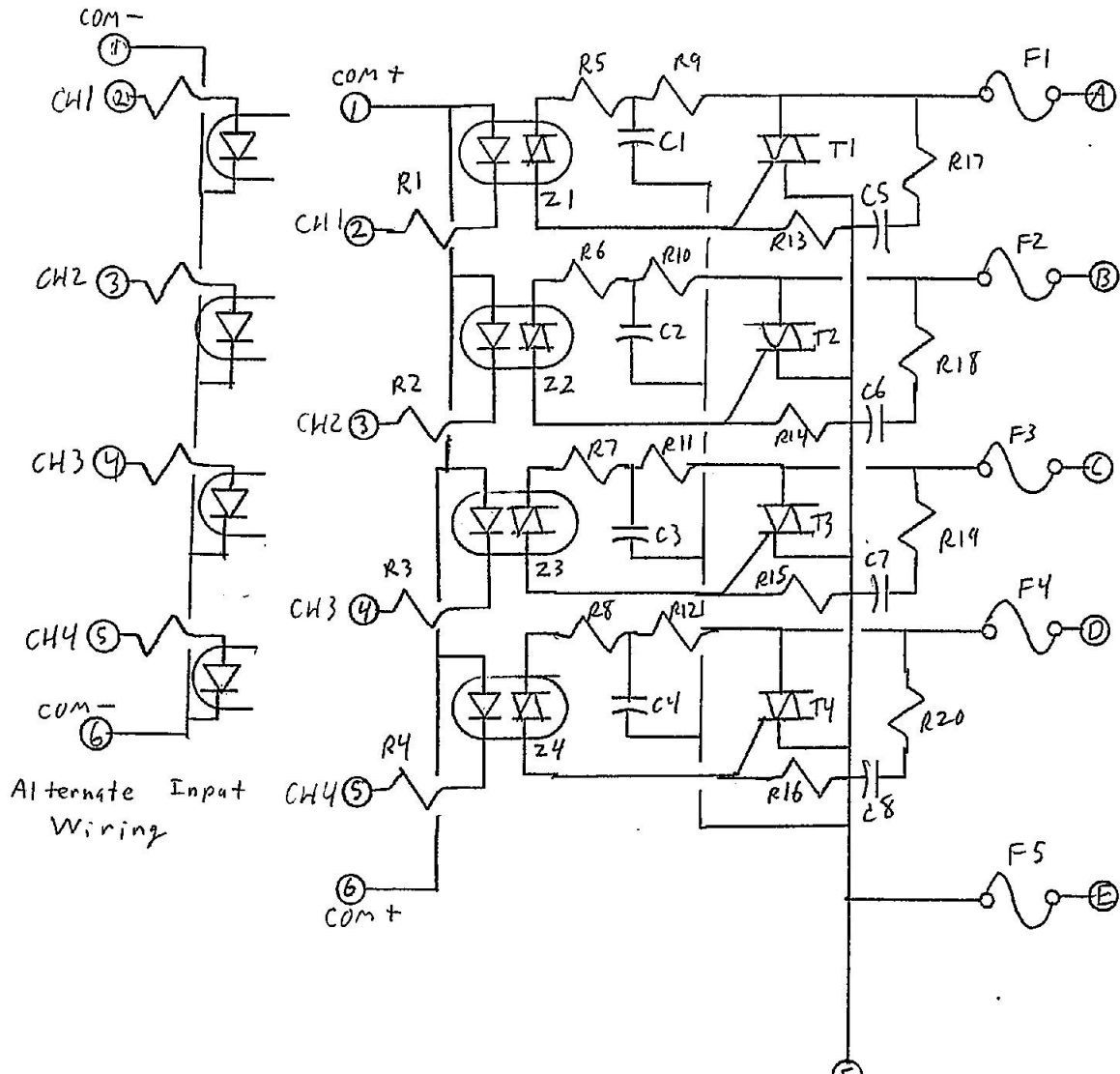
FRASER ELECTRONICS
MAY 18, 1986

© Dan Fraser
VANCOUVER, B.C.

OPTOS - LEFT= COM + (PULL DOWN)
- RIGHT= COM - (PULL UP)

COMPONENT SIDE VIEW

PM-1 TRAC BOARD.



	MOC3010	MOC3030
	5V 10V	5V 10V

R1-4	220 Ω 560 Ω	220 Ω 560 Ω
R5-8	330 Ω	180 Ω
R9-12	330 Ω	0 Ω
R13-16	NOT USED	1K
R17-20	39 Ω (OPT)	39 Ω
C1-4	.01/400V	NOT USED
C5-8	.01/400V (OPT)	.01/400V

FRASER ELECTRONICS

MAY 18, 1986

© Dan Fraser
VANCOUVER, B.C.