

SHERATON-CARAVAN COLOR ORGAN

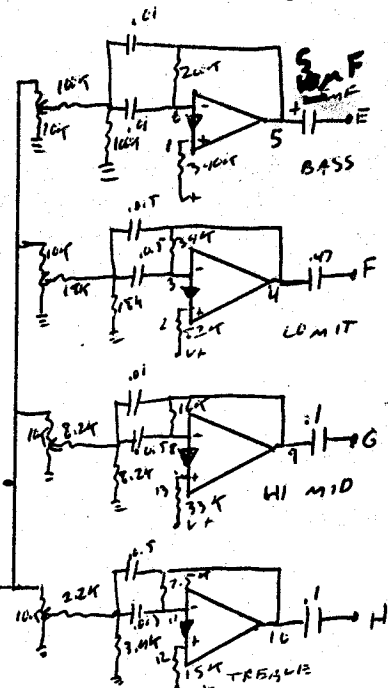
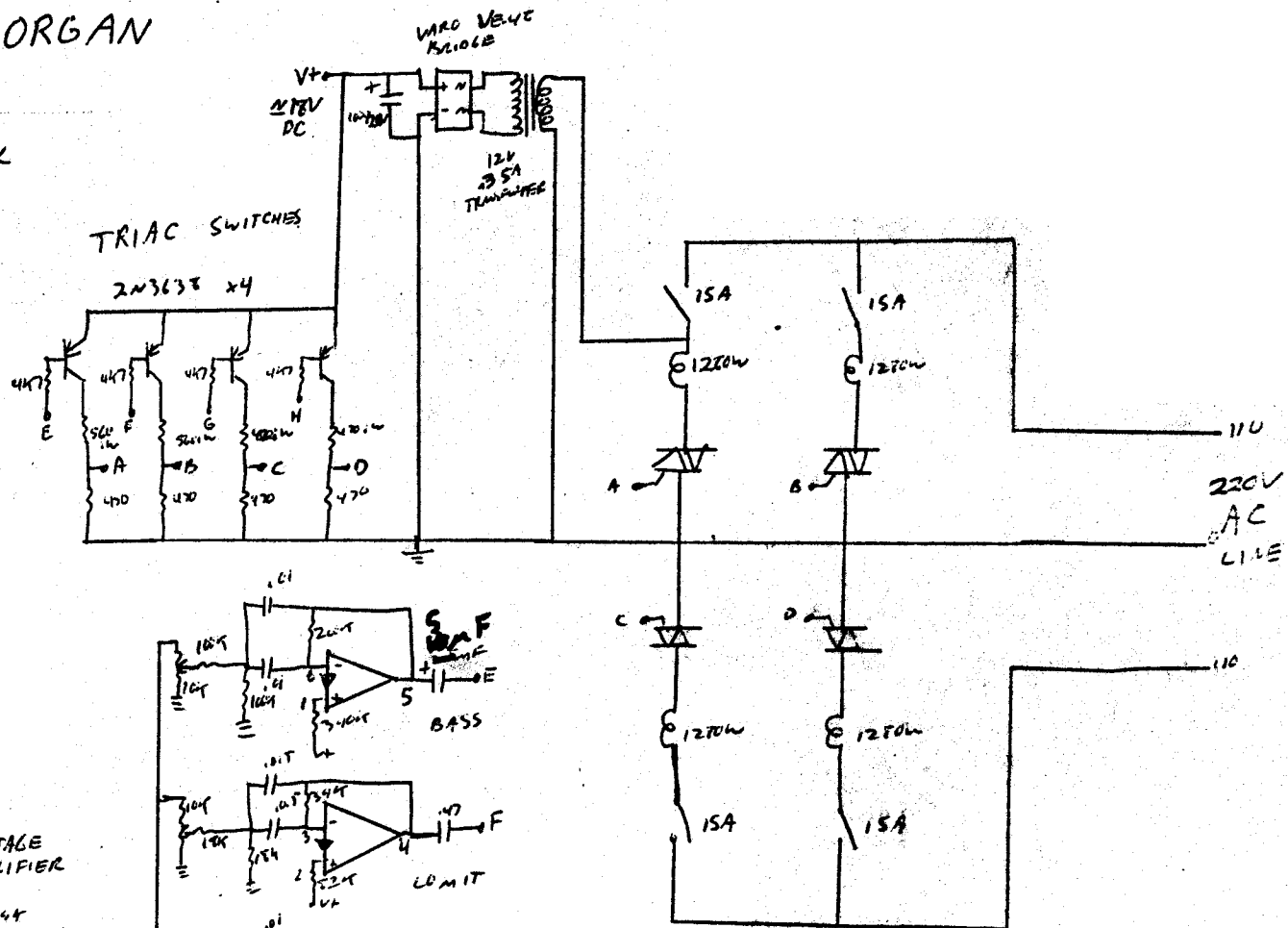
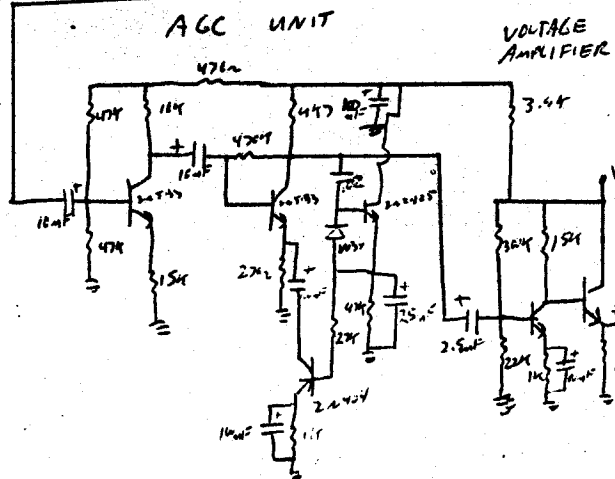
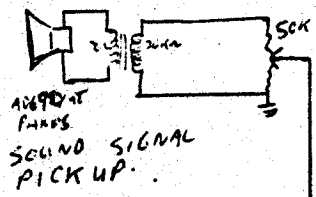
DEC 4, 1975 DAME FRASER

1280 WATTS LOAD PER CHANNEL

(2560 WATT PER CHANNEL IN THEORY)

2E75

11500W ON ALL 4 CHANNELS



4 WAY ACTIVE FILTER

TRIACS: SC60B2 x2
GENERAL ELECTRIC

IC = LM3900
VCC = 14
CIN = 7

- Original drawing
- D. Fraser

SHERATON-CARAVAN COLOR ORGAN

DEC 4, 1975 DANIEL FRASER

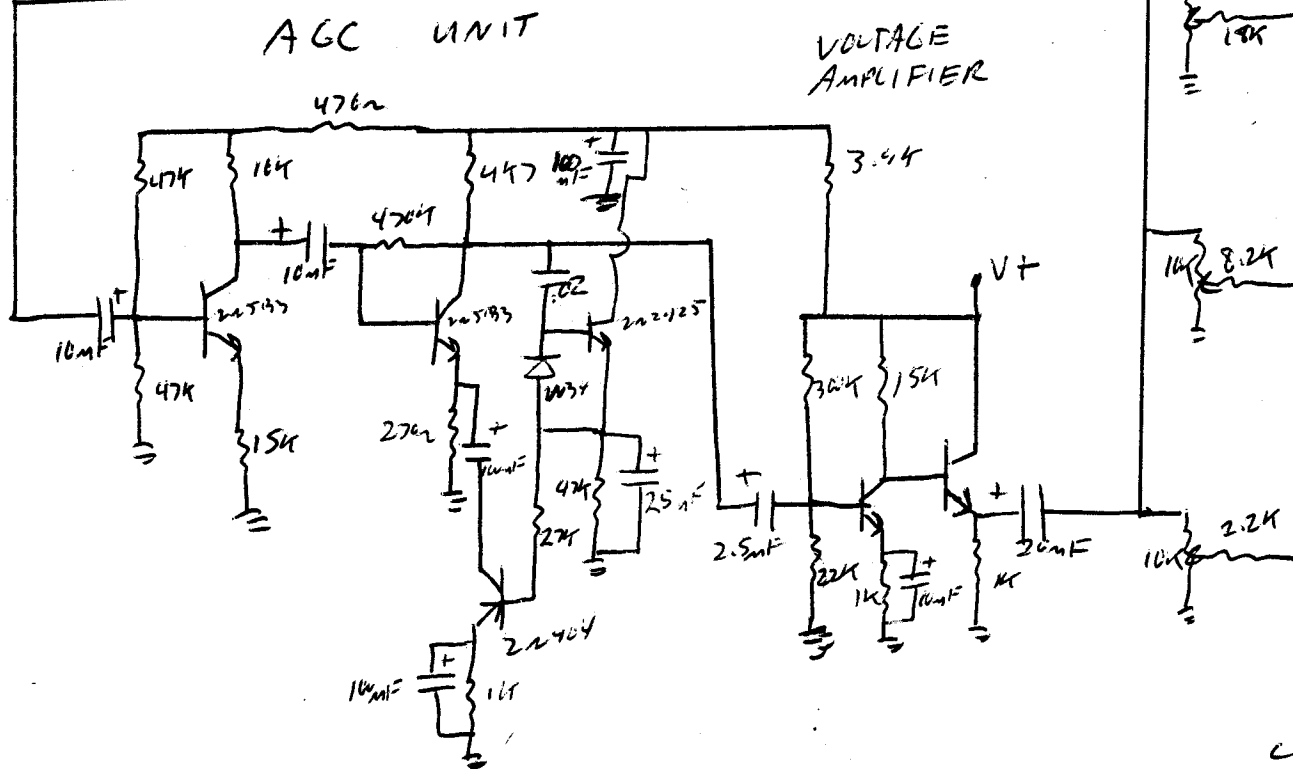
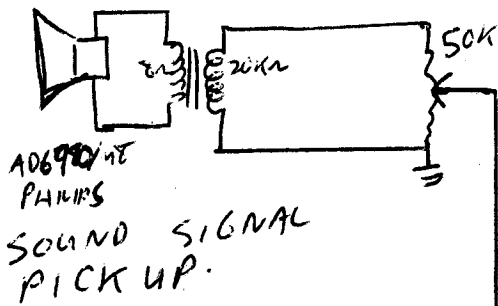
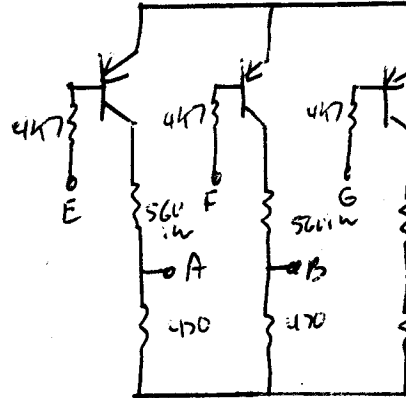
1280 WATTS LOAD PER CHANNEL

(~~2500~~ WATT PER CHANNEL IN THEORY)
2875

11500W ON ALL 4 CHANNELS

TRIAC SW

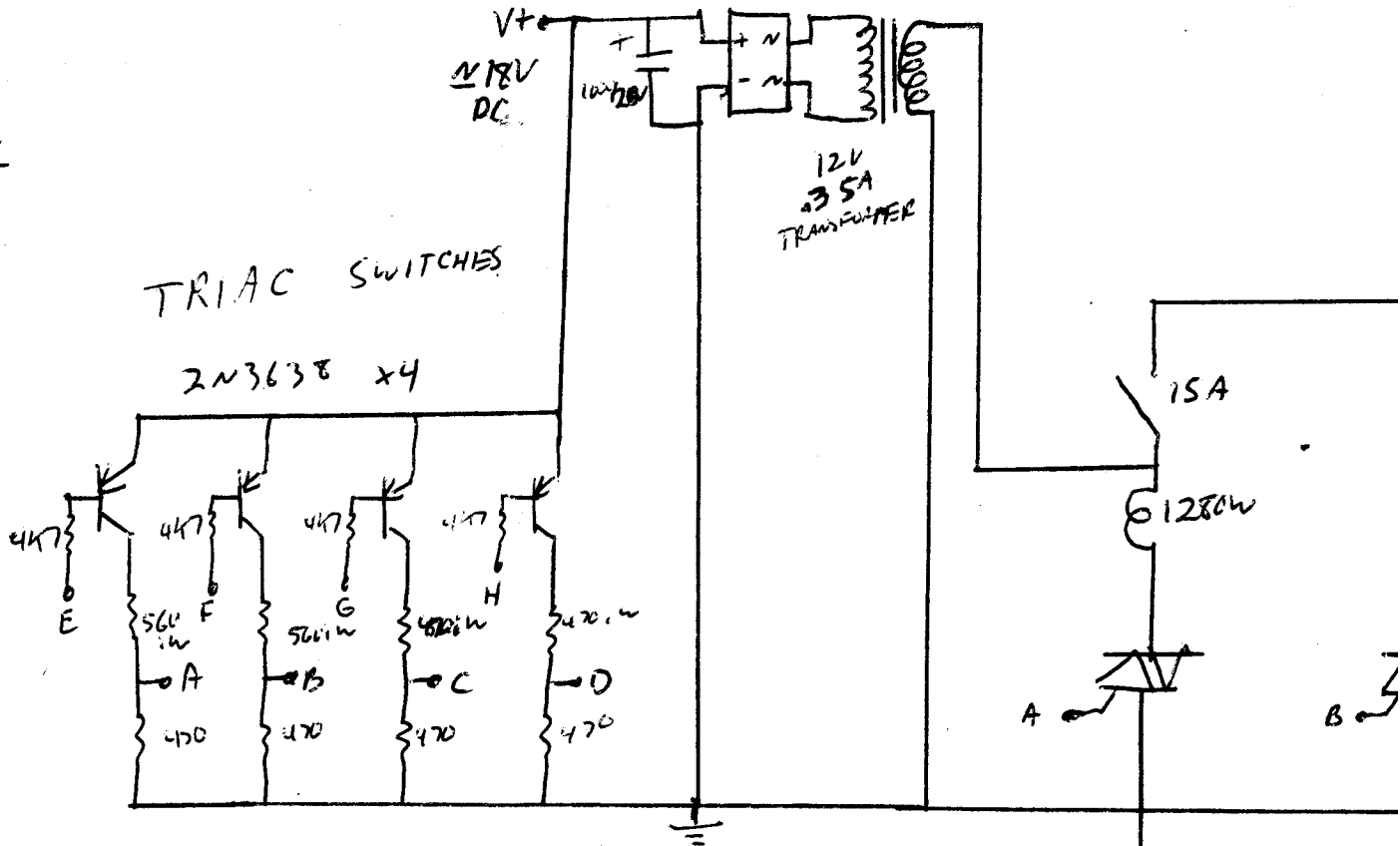
2N3638 x 4



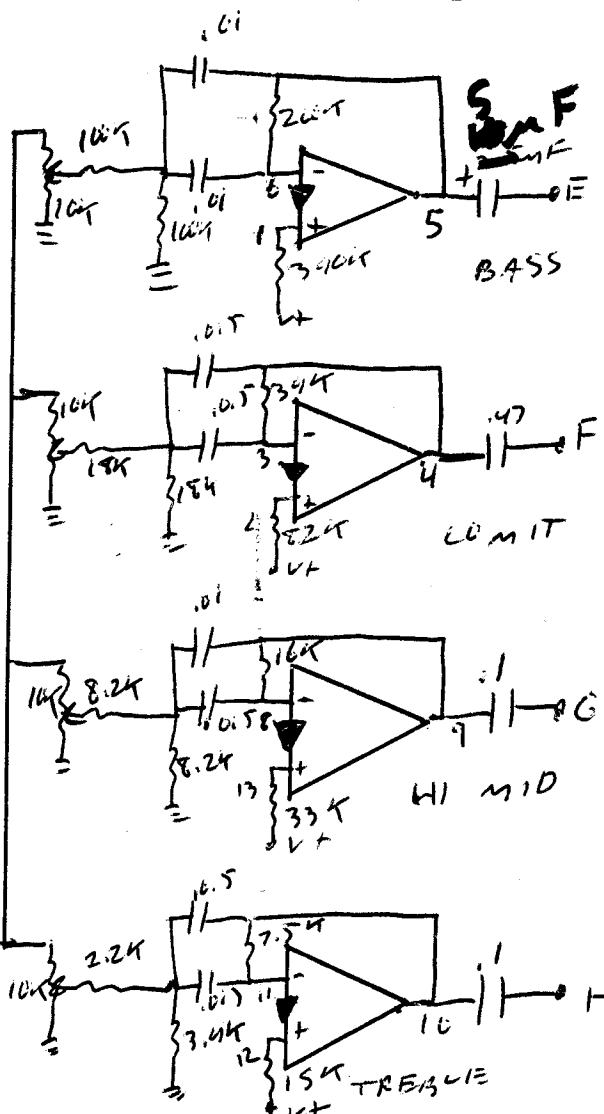
COLOR ORGAN

R
CHANNEL
V THEORY).
VELS

VARO VELYE
K21012



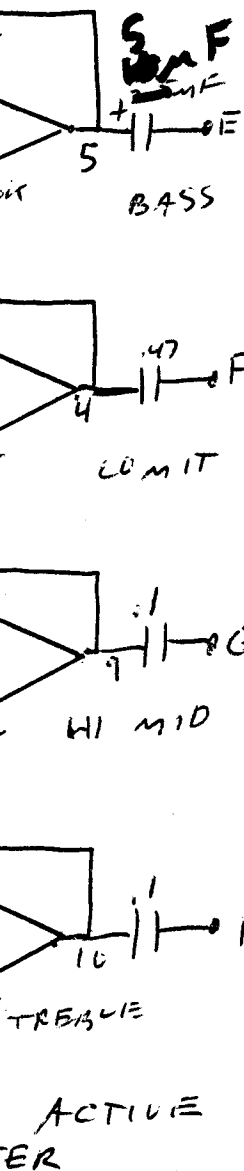
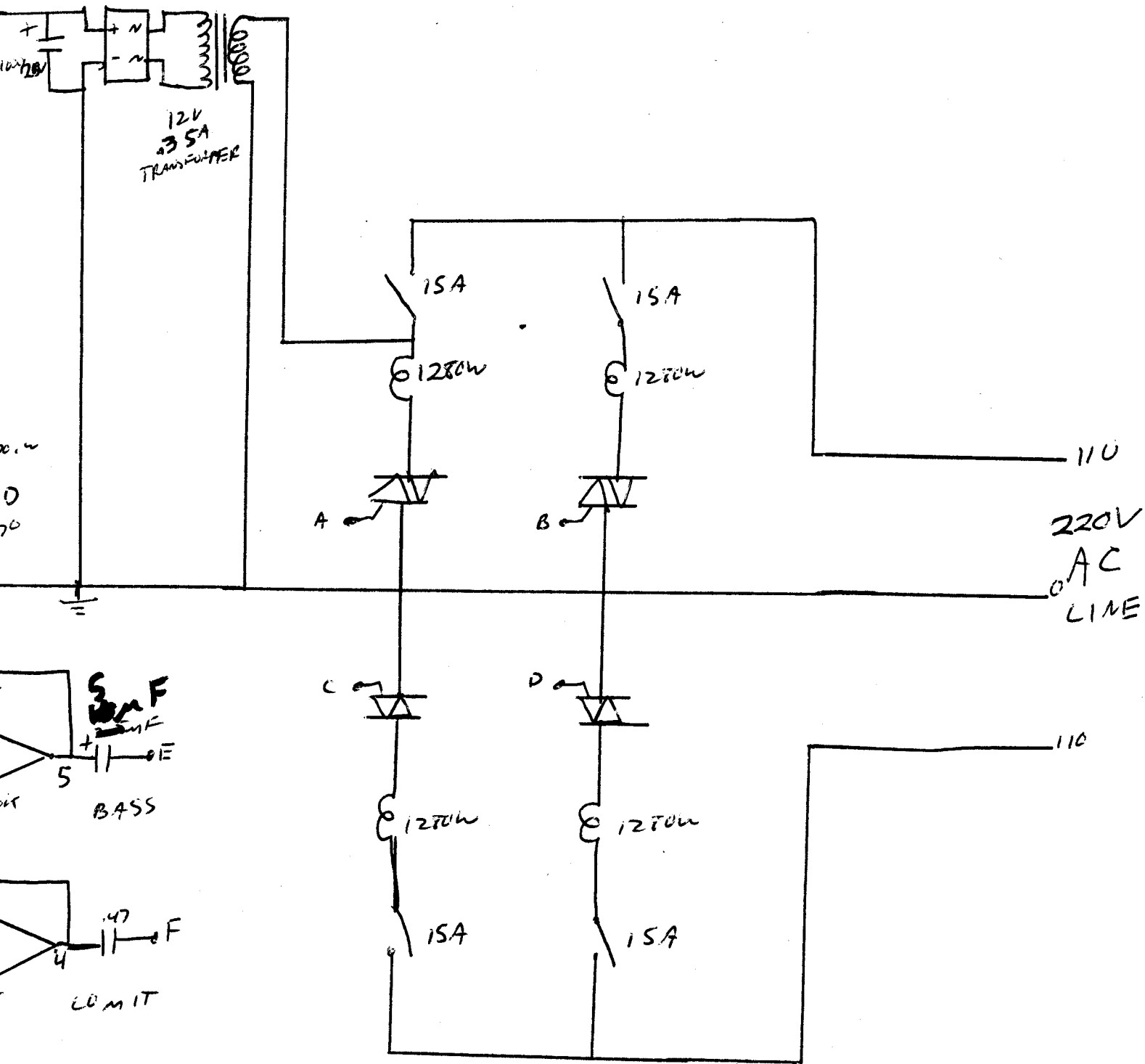
VOLTAGE
AMPLIFIER



I.C. = LM3900
VCC = 14
CMM = 7

4 WAY ACTIVE
FILTER

VARD VE-4C
K2101E



TRIACS = SC60B2x2
GENERAL ELECTRIC

I.C. = LM3900
VCC = 14
GND = 7

- Original Drawing
- D. F. F.