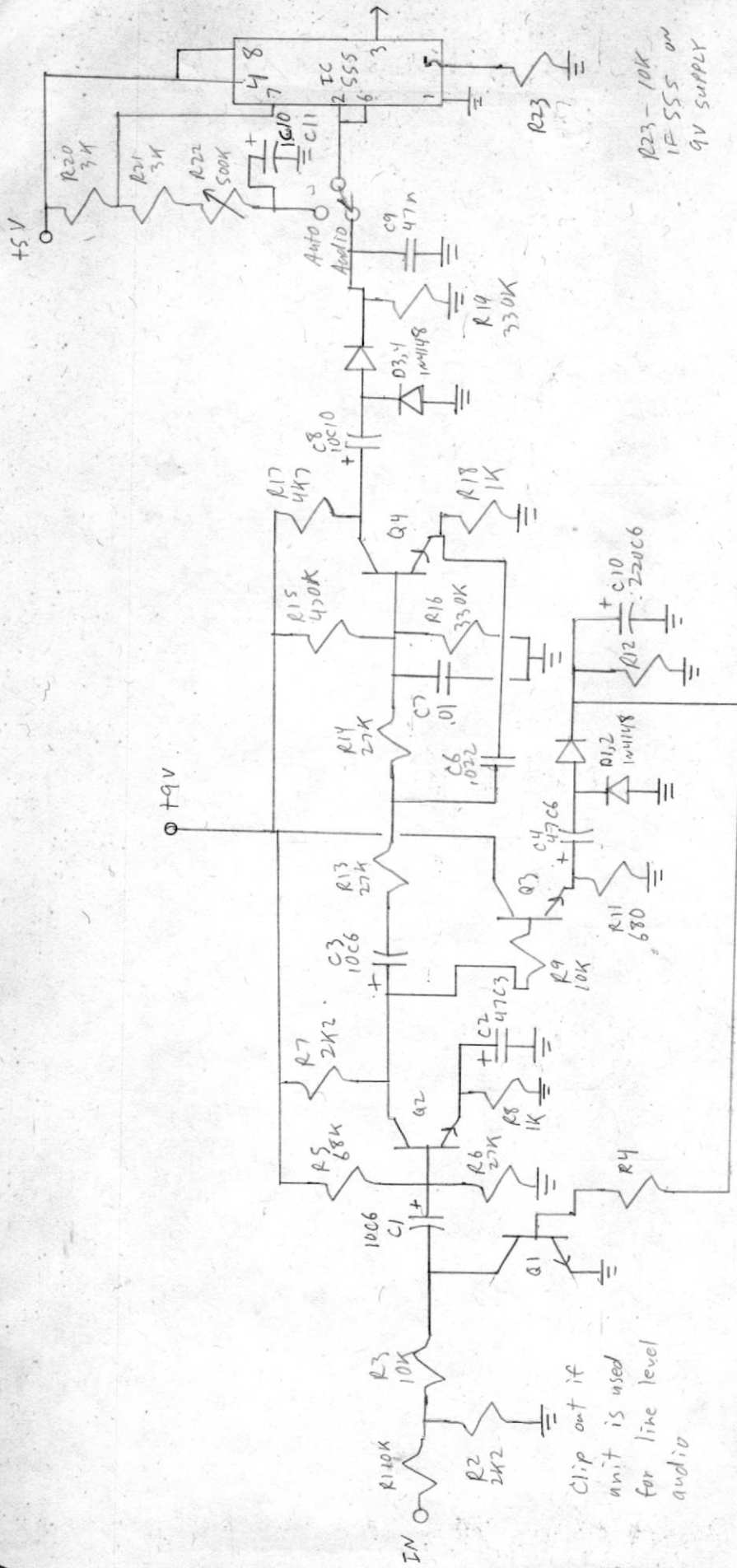


SCAN



Clip out if unit is used for line level audio

All Q's = 2SC1815
2N3904
etc.

R23 - 10K
IC 2555 on
9V SUPPLY

Audio Trigger & Circuit

© Dan Fraser
Vancouver, B.C.
Jan. 3, 1986