

# PLL-based converter controls light source

MASSIMO GOTTARDI, ITC-IRST, TRENTO, ITALY

Using the circuit in **Figure 1**, you can digitally control the light intensity of a lamp. The control loop is based on a PLL, in which the VCO comprises a light-to-frequency converter (TSL220) coupled to a light source that derives its drive from a switching regulator (L4970A). The output of the phase/frequency comparator (4046) serves as the control voltage for the switching regulator. The control voltage is proportional to the frequency error between the reference frequency ( $f_{REF}$ ) and the signal frequency ( $f_{IN}$ ) coming from the light-to-frequency converter.

Changing the reference frequency regulates the voltage supplied to the lamp to force the output of the TSL220 to lock to  $f_{REF}$ . The two resistors at the output of the 4046 provide an attenuation of 1000 to guarantee the loop stability. As an example, we used the L4970A to drive a 12V, 50W halogen lamp. The control loop operates over a frequency of dc to 500 kHz. To prevent the system from entering a positive-feedback condition, the maximum allowable value of  $f_{REF}$  should not exceed the saturation frequency of the TSL220. This maximum value depends on the integrating capacitor used for the light-to-frequency converter and must not exceed 750 kHz. To prevent lamp damage, the 10-k $\Omega$  trim-

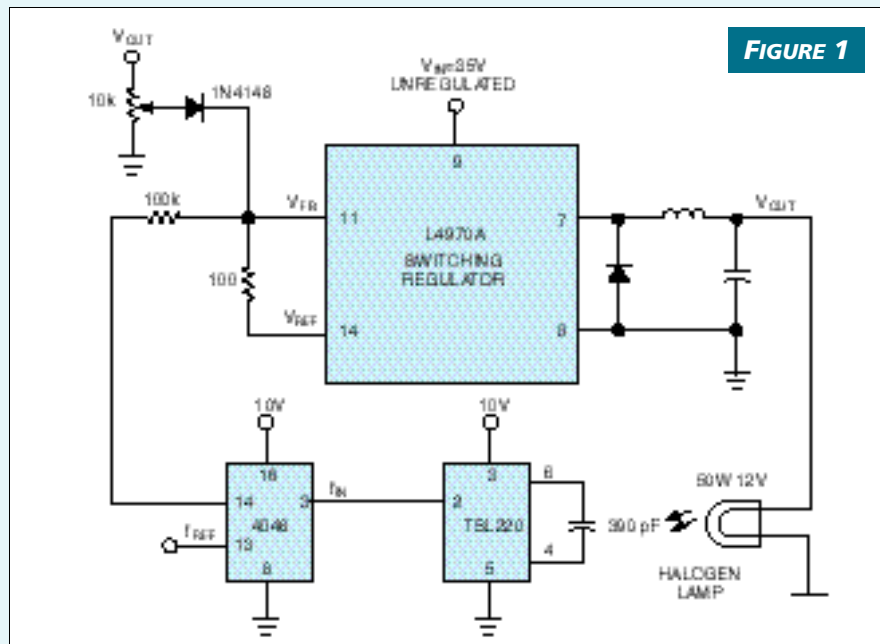


FIGURE 1

**A PLL and a light-to-frequency converter allow you to digitally control the intensity of a lamp.**

mer limits the voltage  $V_{OUT}$  applied to the light source. (DI #2219) EDN

To Vote For This Design, Circle No. 519