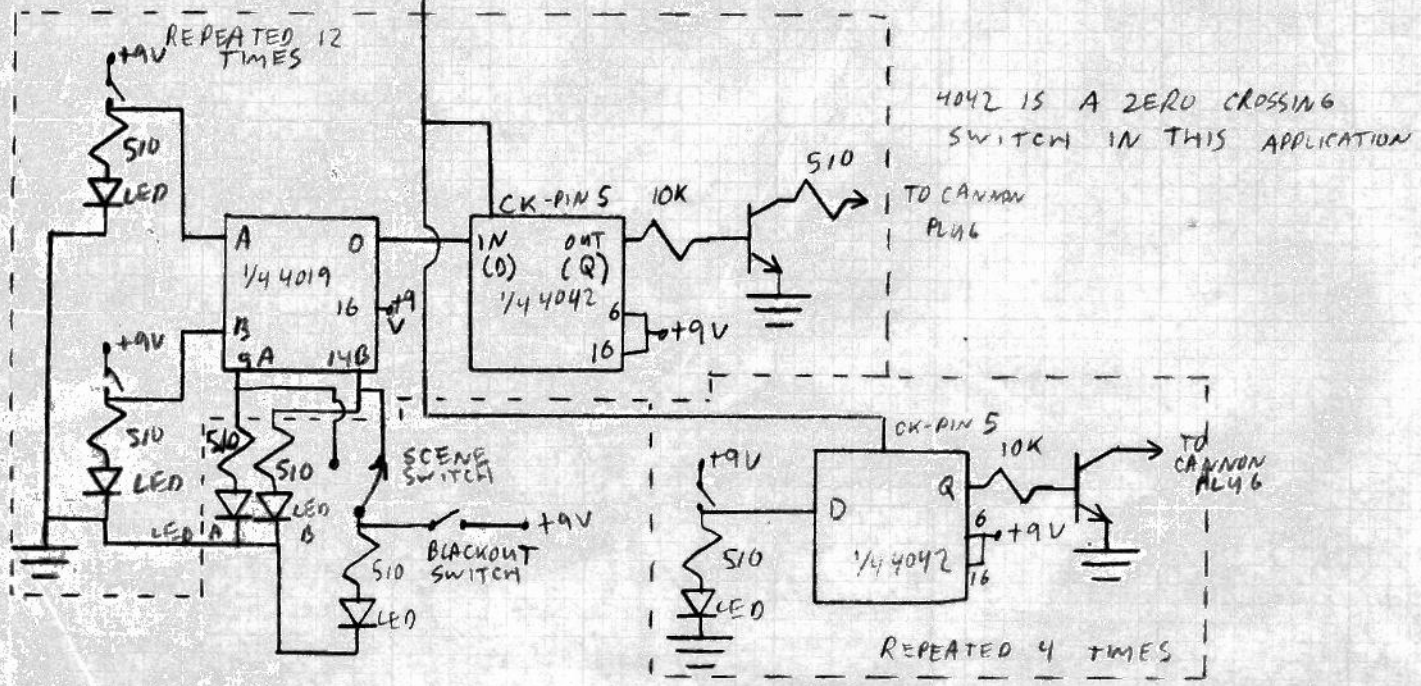
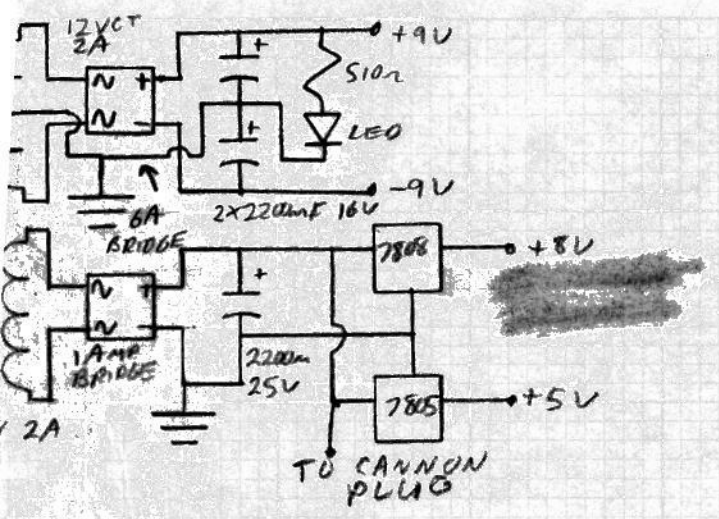


10K AND 3K RESISTORS  
ACROSS SLIDE POTS CONVERT  
THE LOG POT TO A  
PSEUDO LINEAR TYPE -  
IF REPLACING WITH A  
LINEAR TYPE THESE RESIST  
MUST BE REMOVED



4042 IS A ZERO CROSSING  
SWITCH IN THIS APPLICATION



DIMMER CONSOLE CONTROL HEAD  
 12 2 SCENE DIMMERS  
 12 2 SCENE SWITCHES  
 4 1 SCENE SWITCHES

DIMMER	INPUT CONNECTOR	3302 IN	3302 OUT	CONNECTOR OUT	CANNON PC46
1	A 6-5	B 8-6	A 8-6 B 8-4	8-1,2	16-1
2	6-3	6-4	8-11 8-9	8-13,14	16-2
3	6-1	6-2	9-6 9-4	9-1,2	16-3
4	7-5	7-6	9-11 9-9	9-13,14	16-4
5	7-3	7-4	10-6 10-4	10-1,2	16-5
6	7-1	7-2	10-11 10-9	10-13,14	16-6
7	8-5	8-6	11-6 11-4	11-1,2	17-1
8	8-3	8-4	11-11 11-9	11-13,14	17-2
9	8-1	8-2	12-6 12-4	12-1,2	17-3
10	9-6	9-5	12-11 12-9	12-13,14	17-4
11	9-4	9-3	13-6 13-4	13-1,2	17-5
12	9-2	9-1	13-11 13-9	13-13,14	17-6

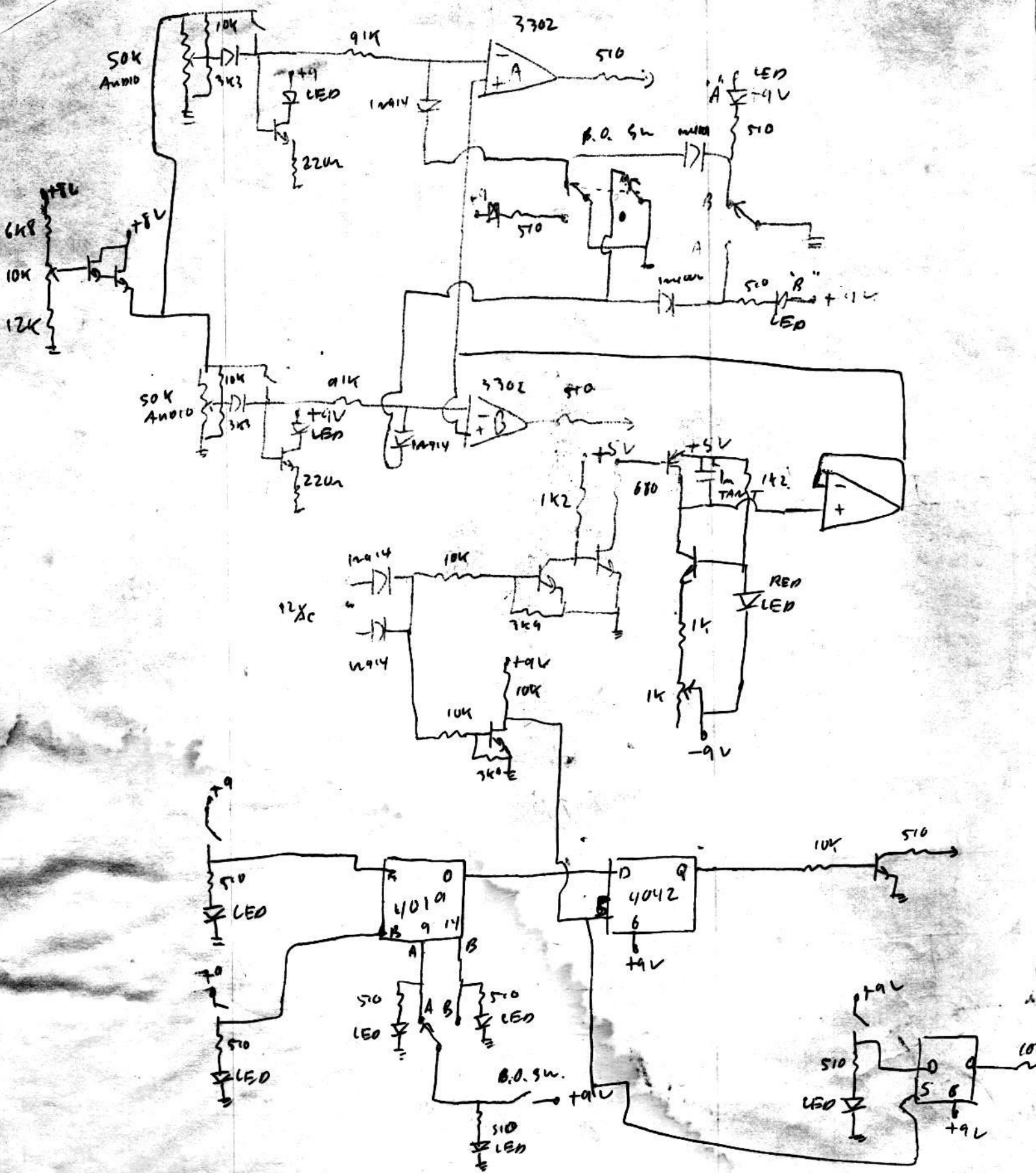
FIRST DIGIT IS A  
 EITHER CHIP OR B  
 CONNECTOR # - C  
 SECOND IS THE D  
 PIN # E  
 F  
 G  
 H  
 J  
 L  
 P  
 R

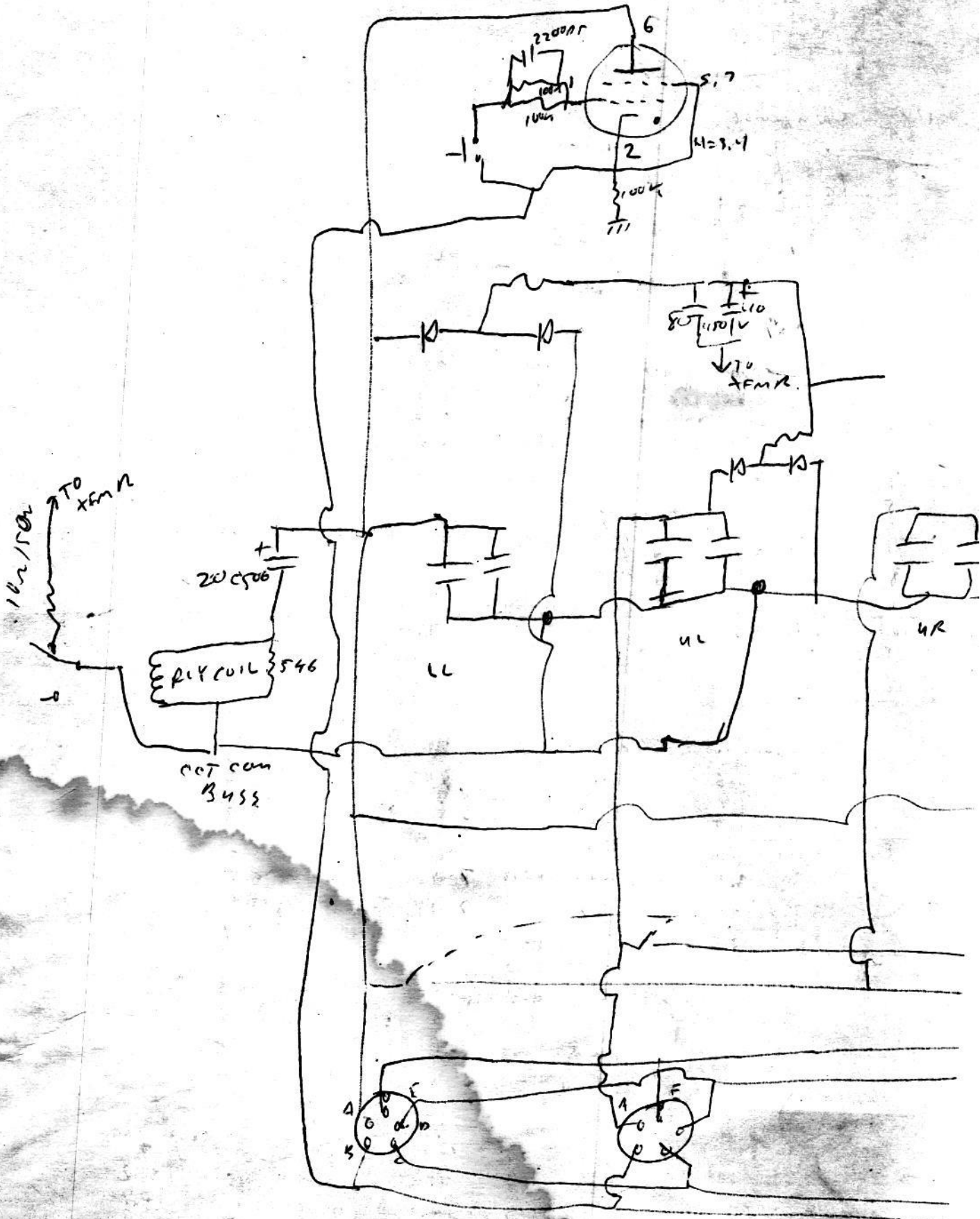
SCENE SWITCH	CONN	IN	4019 IN	4019 OUT	4042	4042	CONN	
1	A 2-3	B 1-6	A 1-15 B 1-4	1-13	1-4	6-2	18-1	S
2	1-5	1-4	1-2 1-3	1-12	6-7	6-10	18-2	T
3	1-3	1-2	1-4 1-5	1-11	6-13	6-11	18-3	X
4	1-1	2-6	1-6 1-7	1-10	6-4	6-1	18-4	Z
5	2-2	3-6	3-15 3-1	3-13	7-4	7-2	18-5	a
6	3-5	3-4	3-2 3-3	3-12	7-7	7-10	18-6	b
7	3-3	3-2	3-4 3-5	3-11	7-13	7-11	19-1	e
8	3-1	2-5	3-6 3-7	3-10	7-14	7-1	19-2	f
9	2-1	4-6	4-15 4-1	4-13	8-4	8-2	19-3	g
10	4-5	4-4	4-2 4-3	4-12	8-7	8-10	19-4	h
11	4-3	4-2	4-4 4-5	4-11	8-13	8-11	19-5	j
12	4-1	2-4	4-6 4-7	3-10	8-14	8-1	19-6	k

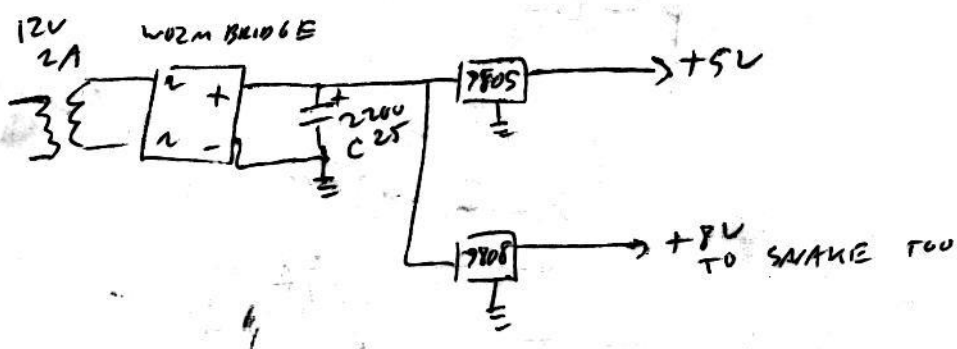
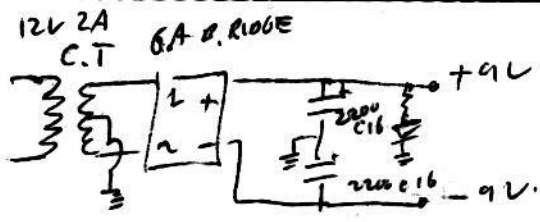
1 SCENE SWITCH					
1	14-1		5-4	5-2	14-3
2	14-2		5-7	5-10	13-2
3	13-3		5-13	5-11	13-1
4	13-4		5-14	5-1	14-4

NOV. 16, 1980.  
 D. Fraser

S = GND  
 K = +Vcc







**DIMMER**

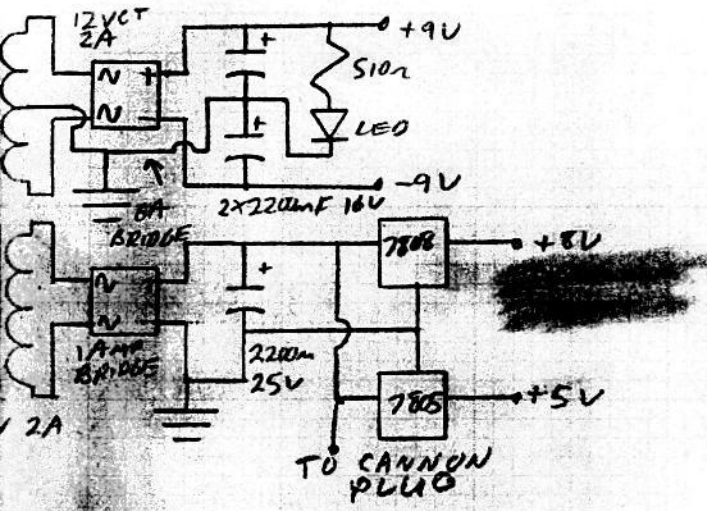
	CONN IN		CHIP IN		CHIP OUT	CONN OUT
1	6-5	6-6	8-6	8-4	8-1,2	16-1
2	6-3	6-4	8-11	8-9	8-13,14	16-2
3	8-1	8-2	9-6	9-4	9-1,2	16-3
4	7-5	7-6	9-11	9-9	9-13,14	16-4
5	7-3	7-4	10-6	10-4	10-1,2	16-5
6	7-1	7-2	10-11	10-9	10-13,14	16-6
7	8-5	8-6	11-6	11-4	11-1,2	17-1
8	8-3	8-4	11-11	11-9	11-13,14	17-2
9	8-1	8-2	12-6	12-4	12-1,2	17-3
10	9-6	9-5	12-11	12-9	12-13,14	17-4
11	9-4	9-3	13-6	13-4	13-1,2	17-5
12	9-2	9-1	13-11	13-9	13-13,14	17-6

**SC. SWITCH**

	CONN IN		4019 CHIP IN		4019 OUT	4012 IN	4012 OUT	CONN OUT
1	2-3	1-6	1-15	1-1	1-13	6-4	6-2	18-4
2	1-5	1-4	1-2	1-3	1-12	6-7	6-10	18-2
3	1-3	1-2	1-4	1-5	1-11	6-13	6-11	18-3
4	1-1	2-6	1-6	1-7	1-10	6-14	6-1	18-4
5	6-2	3-6	3-15	3-1	3-13	7-4	7-2	18-5
6	3-5	3-4	3-2	3-3	3-12	7-7	7-10	18-6
7	3-3	3-2	3-9	3-5	3-11	7-13	7-11	19-8
8	3-1	2-5	3-6	2-4	3-10	7-14	7-1	19-2
9	2-1	4-6	4-15	4-1	4-13	8-4	8-2	19-3
10	4-9	4-4	4-2	4-3	4-12	8-7	8-10	19-4
11	4-3	4-2	4-4	4-5	4-11	8-13	8-11	19-5
12	4-1	2-4	4-6	4-7	4-10	8-14	8-1	19-6

**OUT**

	CONN IN	4012 IN	4012 OUT	CONN OUT
1	11-1	7-4	7-2	14-3
2	14-2	7-7	7-10	13-2
3	17-3	7-13	7-11	13-1
4	17-4	17-14	7-1	11-4



DIMMER CONSOLE CONTROL HEAD  
 12 2 SCENE DIMMERS  
 12 2 SCENE SWITCHES  
 4 1 SCENE SWITCHES

DIMMER	IN PNT CONNECTOR	3302 IN	3302 OUT	CONNECTOR OUT	CANNON PIN:
1	A-5 B-6	A-6 B-8-4	8-1,2	16-1	FIRST DIGIT IS A
2	6-3 6-4	8-11 8-9	8-13,14	16-2	EITHER CHIP OR B
3	6-1 6-2	9-6 9-4	9-1,2	16-3	CONNECTOR # - C
4	7-5 7-6	9-11 9-9	9-13,14	16-4	SECOND IS THE D
5	7-3 7-4	10-6 10-4	10-1,2	16-5	PIN # E
6	7-1 7-2	10-11 10-9	10-13,14	16-6	F
7	8-5 8-6	11-6 11-4	11-1,2	17-1	G
8	8-3 8-4	11-11 11-9	11-13,14	17-2	H
9	8-1 8-2	12-6 12-4	12-1,2	17-3	J
10	9-6 9-5	12-11 12-9	12-13,14	17-4	L
11	9-4 9-3	13-6 13-4	13-1,2	17-5	P
12	9-2 9-1	13-11 13-9	13-13,14	17-6	R

SCENE SWITCH	CONN	IN	4019 IN	4019 OUT	4042	4042 OUT	CONN	CANNON
1	A-2	1-6	A-15 B-4	1-13	6-4	6-2	18-1	S
2	1-5	1-4	1-2 1-3	1-12	6-7	6-10	18-2	T
3	1-3	1-2	1-4 1-5	1-11	6-13	6-11	18-3	X
4	1-1	2-6	1-6 1-7	1-10	6-4	6-1	18-4	Z
5	2-2	3-6	3-15 3-1	3-15	7-4	7-2	18-5	a
6	3-5	3-4	3-2 3-3	3-12	7-7	7-10	18-6	b
7	3-3	3-2	3-4 3-5	3-11	7-13	7-11	19-1	e
8	3-1	2-5	3-6 3-7	3-10	7-14	7-1	19-2	f
9	2-1	4-6	4-15 4-1	4-13	8-4	8-2	19-3	g
10	4-5	4-4	4-2 4-3	4-12	8-7	8-10	19-4	h
11	4-3	4-2	4-4 4-5	4-11	8-13	8-11	19-5	j
12	4-1	2-4	4-6 4-7	3-10	8-14	8-1	19-6	K

1 SCENE SWITCH	CONN	CANNON
1	14-1	m
2	14-2	n
3	13-3	p
4	13-4	r

NOV. 16, 1980  
 D. Fraser

S = GND  
 K = +Vcc

