

To: Dan Fraber

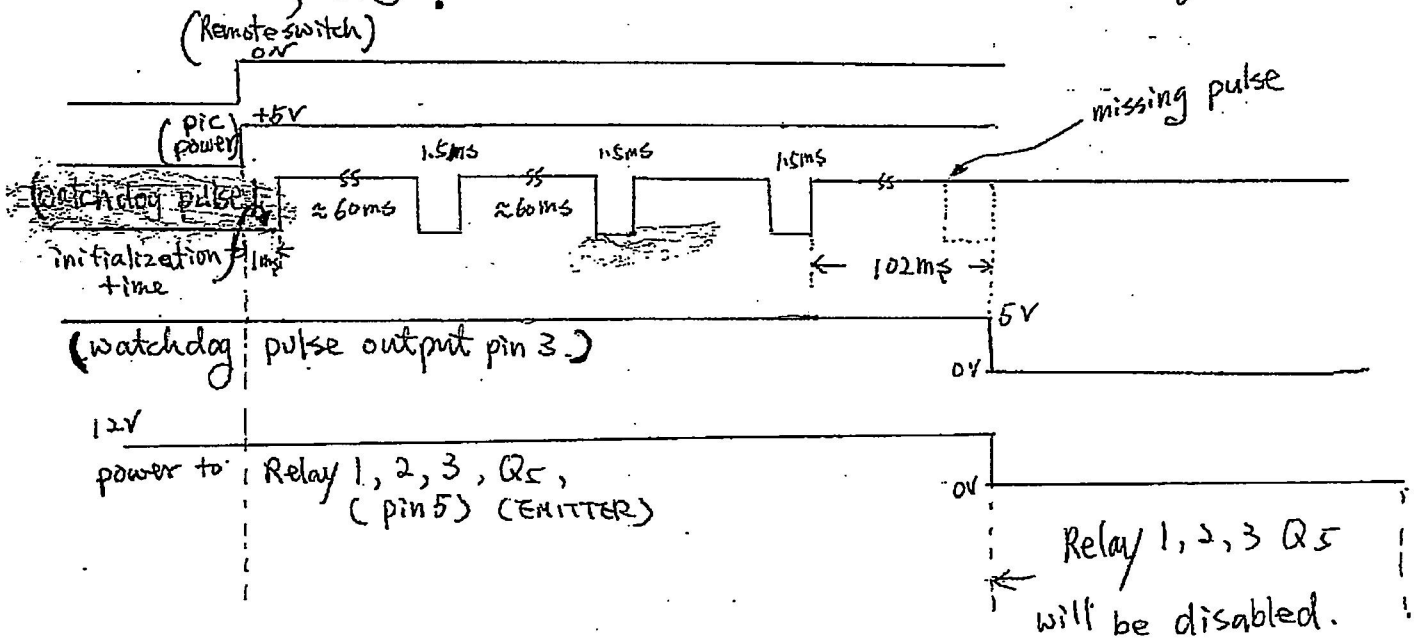
From: ERIC & Jamie, BCIT, ISP.

SUBJECT: The watchdog detector design.

RECEIVED
MICE GENERAL OFFICE

97 MAY - 7 AM 8:17

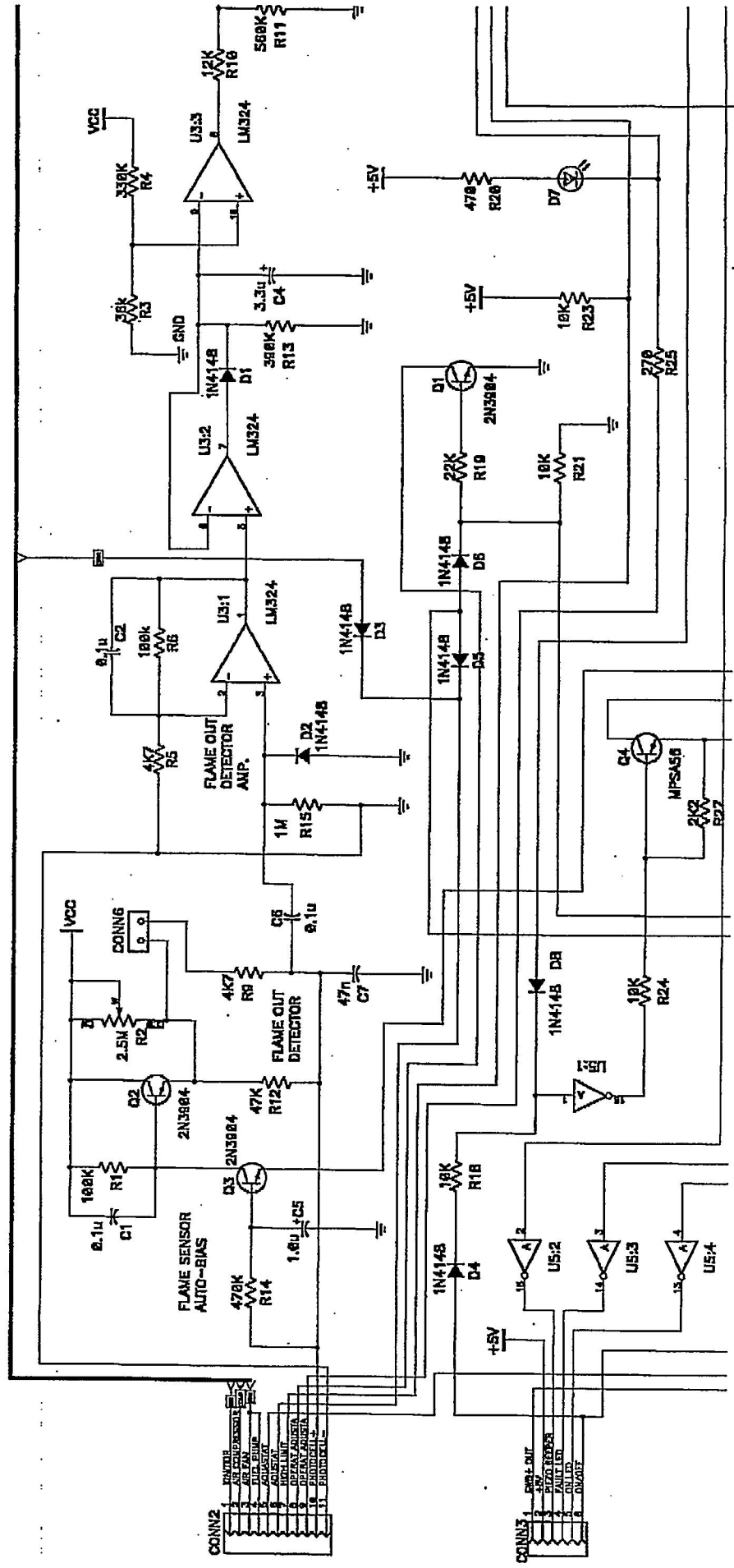
Hi! Dan, I think you have received Jamie's E-mail message about watchdog problem. We have build the watchdog circuitry as the schematic diagram. If the pic ~~over~~ lost the track, and the watchdog pulse output will be High all the time. There is no pulse to trigger the watchdog pulse Detector, the Relay 5 will not be energized, therefore, No power to Relay 1, Relay 2, Relay 3, ~~Relay 4~~ pin 5, and circulating pump transistor, Q5.

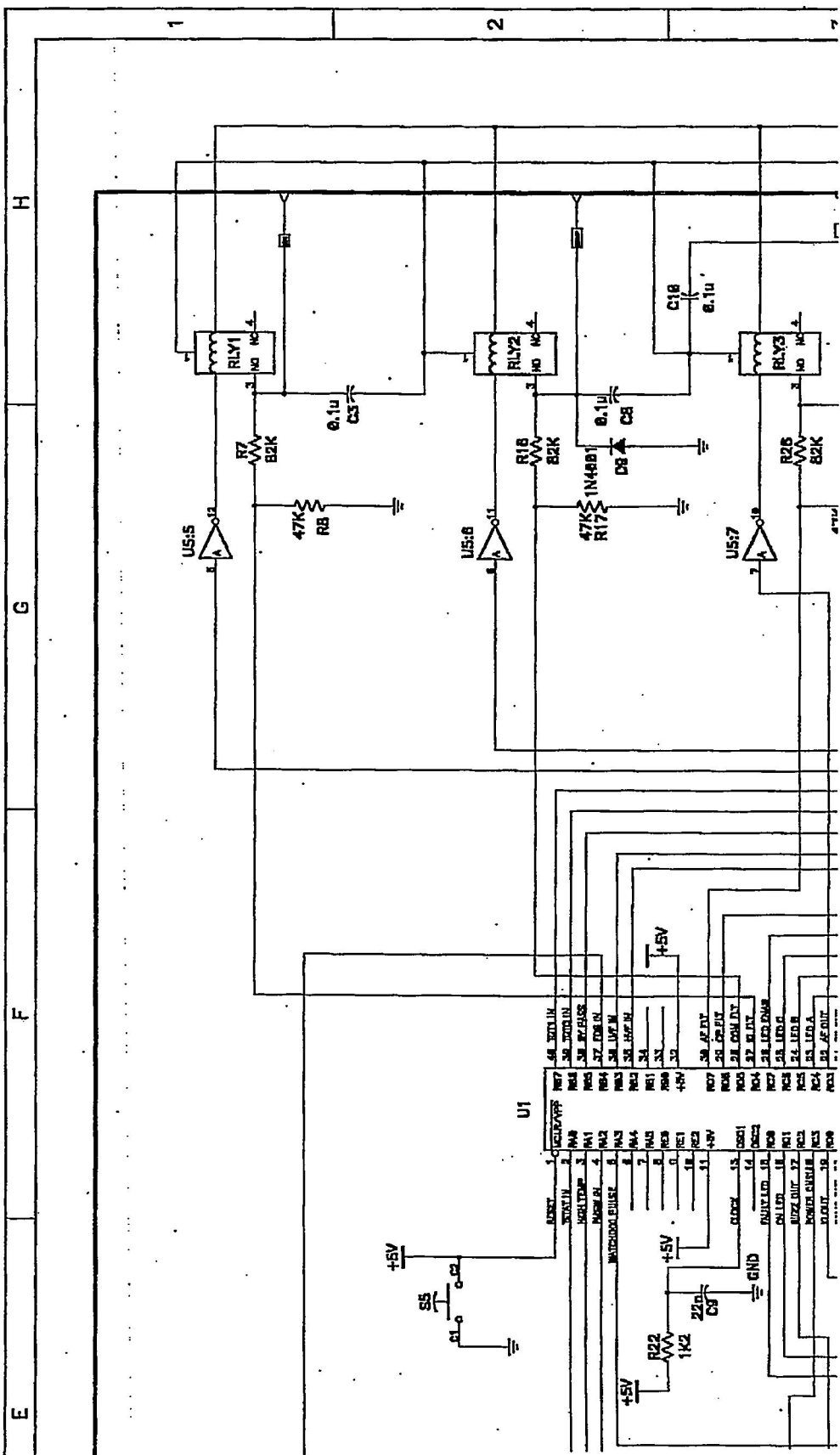


ERIC

9:30 P.M.
MAY 6, 97

A B C D



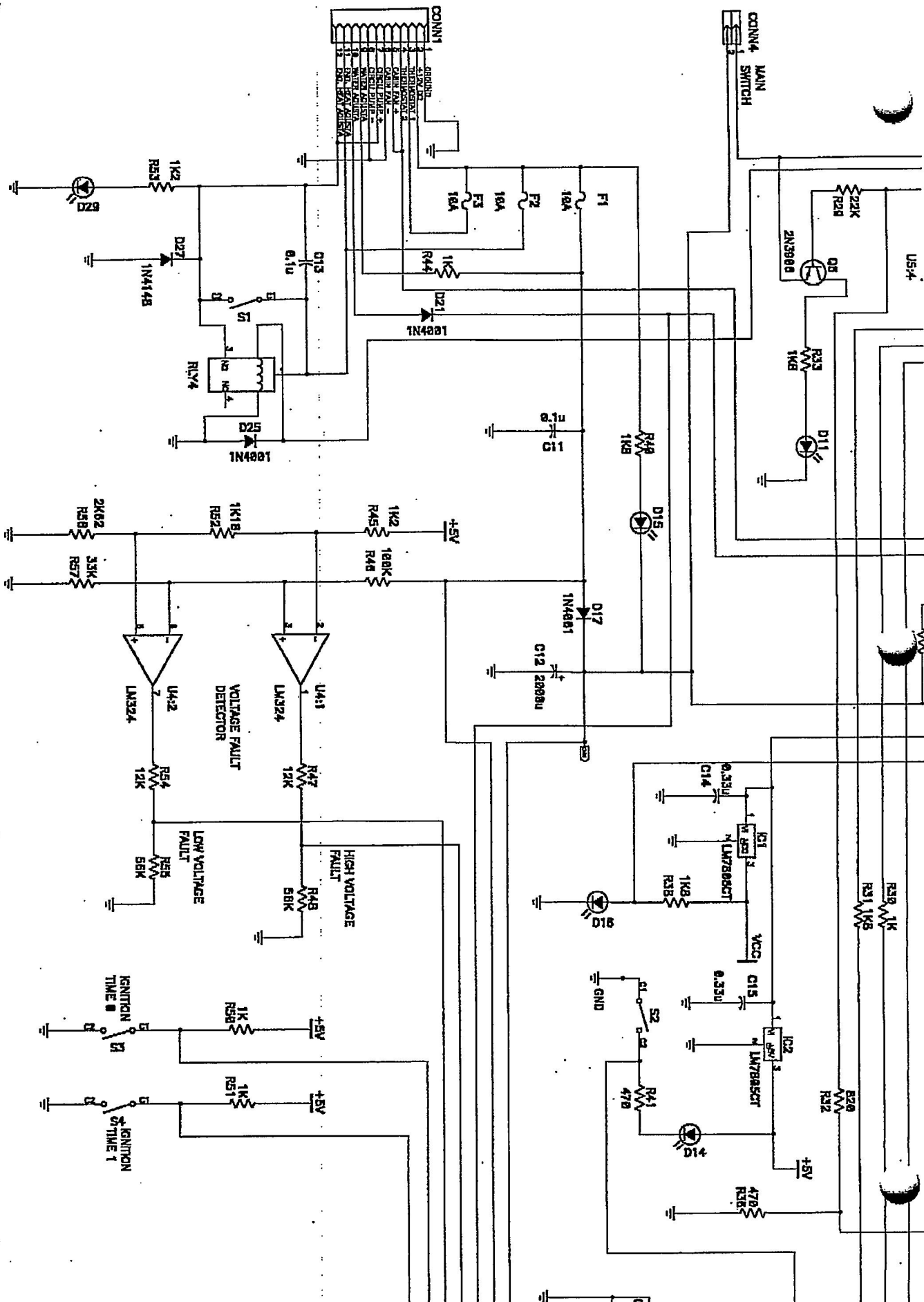


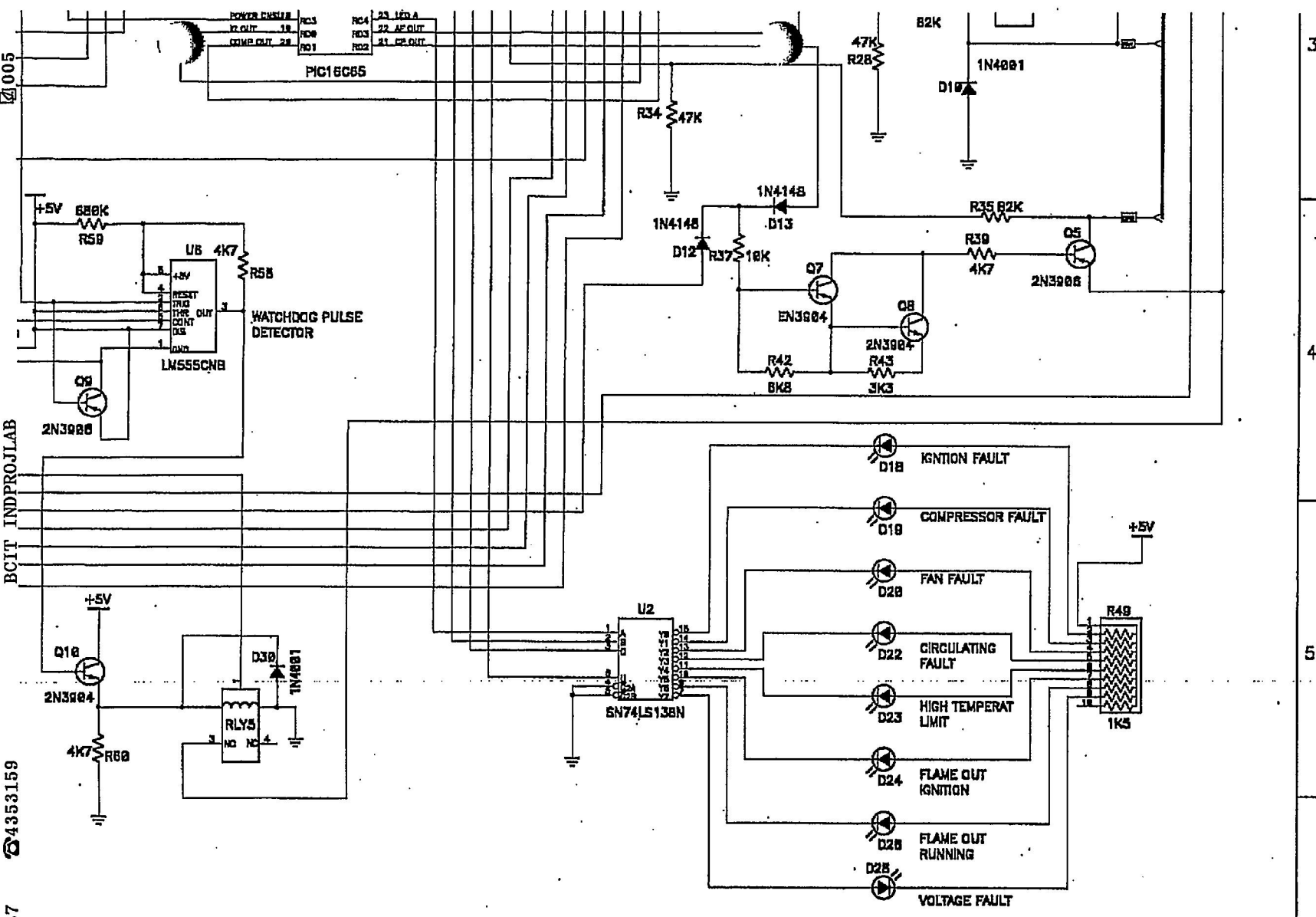
A

B

C

D





3
4
5
6

Title		
Size	Number	Rev
D		
Date	Drawn by	
Filename	Sheet	of

05/06/97 21:37 4353159 BCIT INDPROJLAB 005