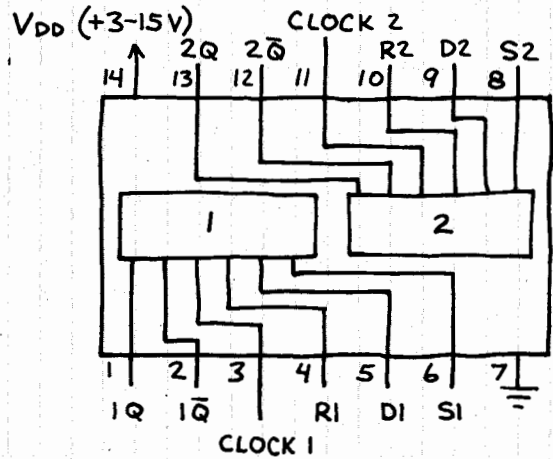
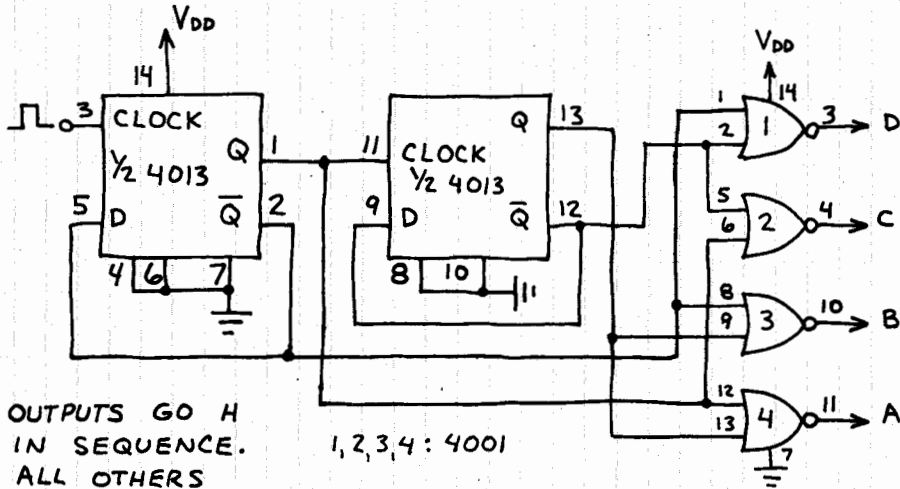


DUAL D FLIP-FLOP 4013

VERY VERSATILE PAIR OF D-TYPE
FLIP-FLOPS. GROUND UNUSED INPUTS.



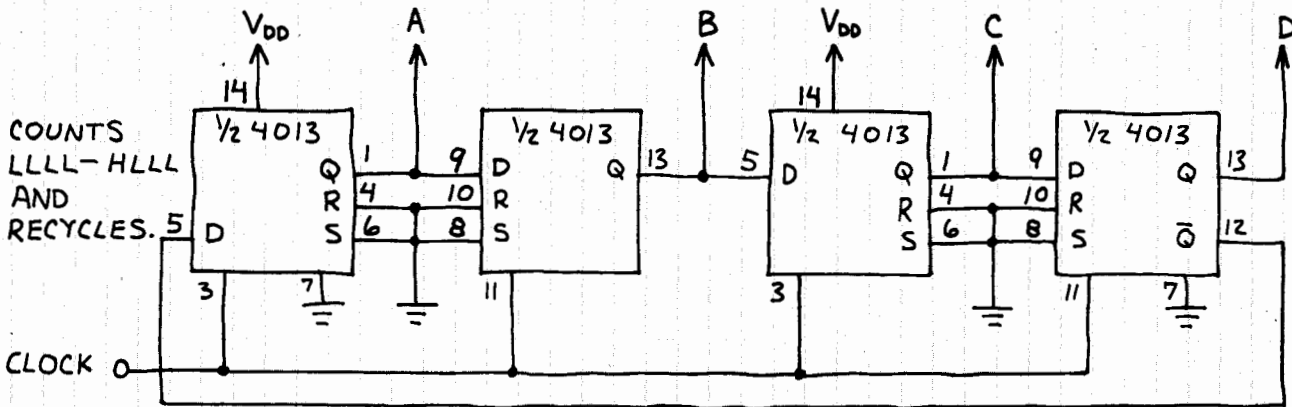
1-OF-4 SEQUENCER



OUTPUTS GO H
IN SEQUENCE.
ALL OTHERS
STAY L.

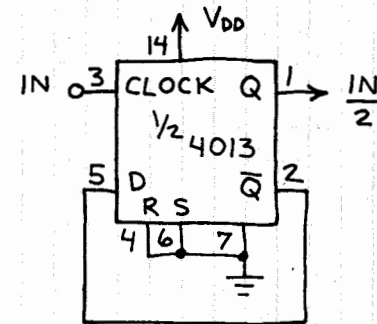
1,2,3,4: 4001

MODULO-8 COUNTER



COUNTS
LLLL-HLLL
AND
RECYCLES.

DIVIDE-BY-2



SERIAL IN/OUT, PARALLEL OUT SHIFT REGISTER

