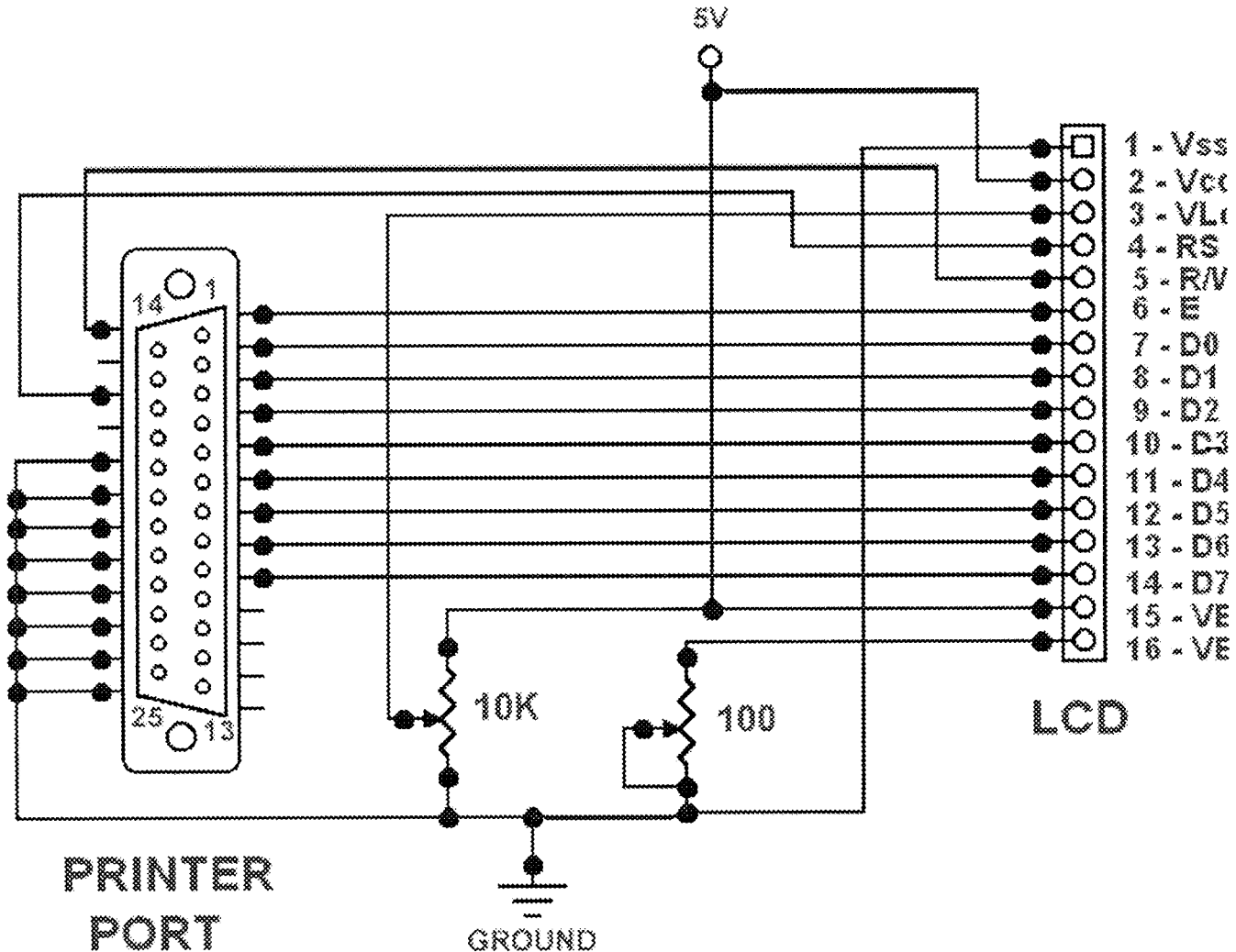


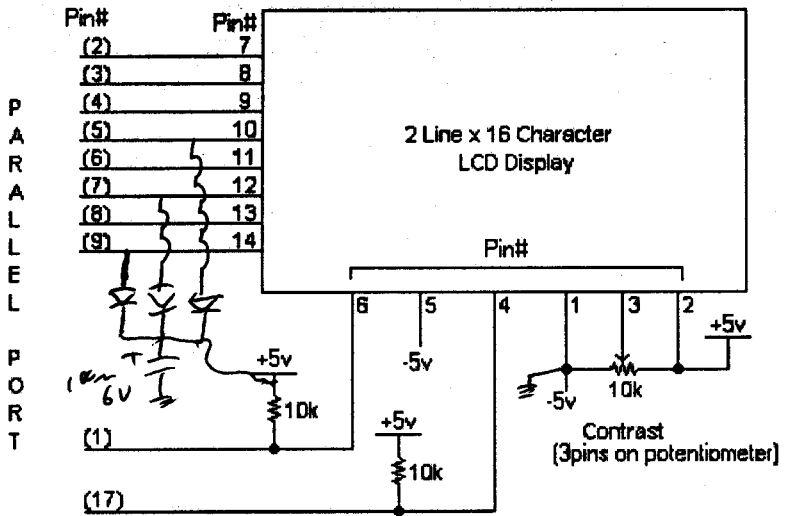
# LCD hardware and software informations for Mpxplay

LCD module: HD44780

Connection between LPT port and the LCD module:

LCDtype 1:





PAR	DAMD	MAP	TRIPUD
1	6	-	6
2	7	7	7
3	8	8	8
4	9	9	9
5	10	10	10
6	11	11	11
7	12	12	12
8	13	13	13
9	14	14	14
14	-	-	5
16	-	4	4
17	4	6	-
18-25	6	6	6

5-000 (5 GND)

DISP = 2.4mA