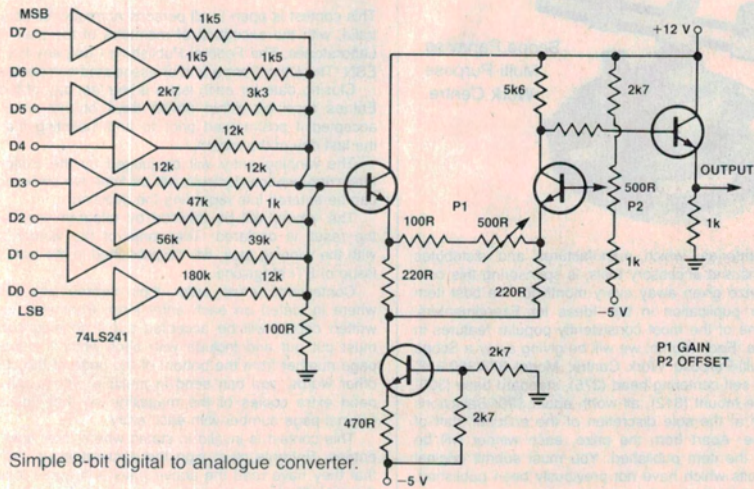


DC motor driver circuit.

Input A	Input B	M <sub>A</sub>	M <sub>B</sub>	Result
0	0	+5V	+5 V	no operation
0	1	+5 V	GND	motor turns
1	0	GND	+5 V	motor turns opposite
1	1	GND	GND	no operation



Simple 8-bit digital to analogue converter.

## Two circuits for the 74LS241

Brian O'Conner of Box Hill Victoria, has come up with two circuits for use with microprocessor parts. Both of them use the 74LS241 and in each case pin 1 is tied to ground and pin 19 to Vcc.

The first circuit is for a dc motor driver suitable for use with 400 mA/6 V motors like Fisher Technic. Little or no heatsink is required as all transistors are either saturated or off.

The second circuit is for a very simple 8-bit digital to analogue converter which can be built from scrap box components. It will give a linear output of 8 V p-p and the ramp produced by an 8-bit increment is quite smooth.