



ISO 9001 國際品質認證
ISO 9001 CERTIFICATE
NO.: 143817

松暉電機工業股份有限公司
SONG HUEI ELECTRIC CO., LTD.
佛山市松暉電機科技有限公司

規格承認書

Specification Acceptance Document

客戶名稱 Customer's Name : Radial Engineering

客戶機種型號 Customer's Model NO.: _____

客戶零件編號 Customer's Parts NO.: _____

本公司產品名稱 Our Model NO.: RBP39-1-1-12-25R/NP

圖面編號 Drawing NO.: RS39-001 數量 Q.'TY.: 2 pcs 日期 DATE.: 2009.12.08

客戶確認回覆 Customer Approval Status:

簽核 Signature:

WE OFFER SPECIFICATION SHEET 1 COPIES, PLEASE SIGN AND RETURN 1 COPIES.

本規格書共提出 1 份，請確認後惠返 1 份

■總公司:高雄市前鎮區新衙路 288-7 號 4 樓之 1

4F-1, No. 288-7, Shin Ya Road, Chien Chen District, Kaohsiung, Taiwan R.O.C.

電話 TEL: -886-7-8150038-41

傳真 FAX: -886-7-8150384-5

<http://www.song-huei.com.tw>

Email: sales@song-huei.com.tw

□大陸工廠:廣東省佛山市順德區陳村鎮赤花工業區,工業二路

Chi Hua Industrial Area, Chen Tsuen Village, Shunde District, Fo San City, Guangdong, China.

電話 TEL: (0757)23352700, 23359074, 23350968

傳真 FAX: (0757)23354472

Email: sfsales@song-huei.com.tw

sdshco@21cn.com



松暉電機工業股份有限公司
SONG HUEI ELECTRIC CO., TLD.
佛山市松暉電機科技有限公司

客戶名稱 : Radial Engineering
Customer

規格型號 : RBP39-1-1-25R/NP
Model

1. 測試條件 Test Condition :

Standard test conditions shall be 5~35°C in temperature and 45~85%RH in humidity.
Should any doubt arise in judgment test shall be conducted at 20±2°C and 65±5%RH.

2. 電氣性能 Electrical Performance :



項目 ITEM	測試條件 Test condition	規格 Specifications
2.1 定格電力 Rating	N/A	DC 30V / 0.5A
2.2 接觸電阻 Contact resistance	Shall be measured at 1KHz±200Hz (Max 20mV, Max 50mA) or 5V DC, 1A by a voltage drop method.	Less than 25mΩ
2.3 絕緣阻抗 Insulation resistance	Shall be measured by applying 500V DC, between all terminals and between the terminal and the frame for 1 minute ±5sec.	More than 100MΩ
2.4 耐電壓 Withstand voltage	500V AC(50~60Hz, 2mA) shall be applied between all terminals and the frame for 1 minute ±5sec.	

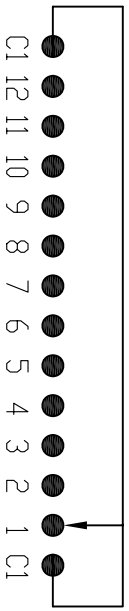
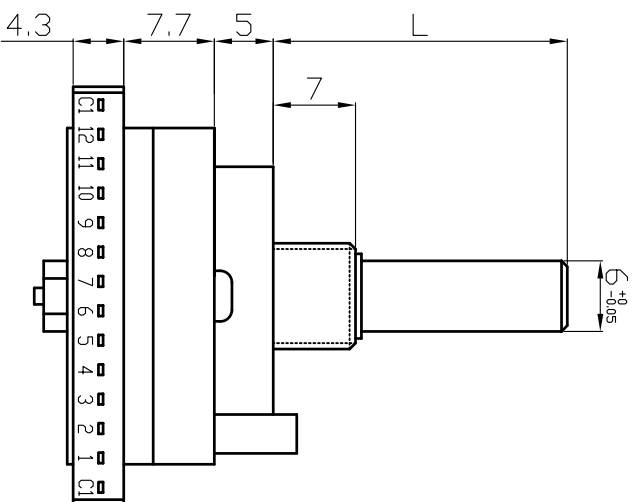
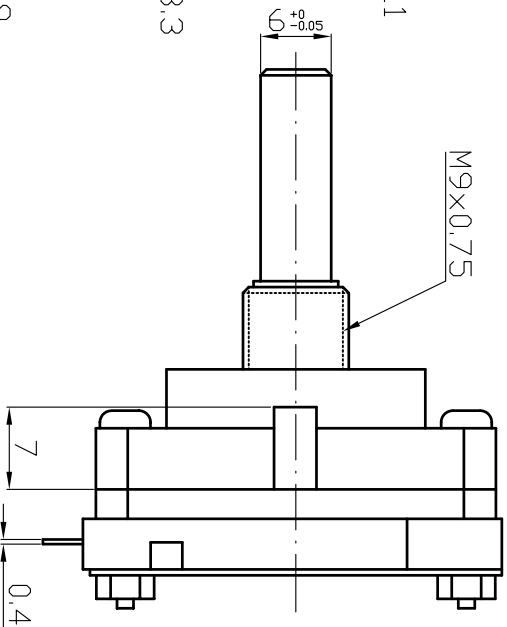
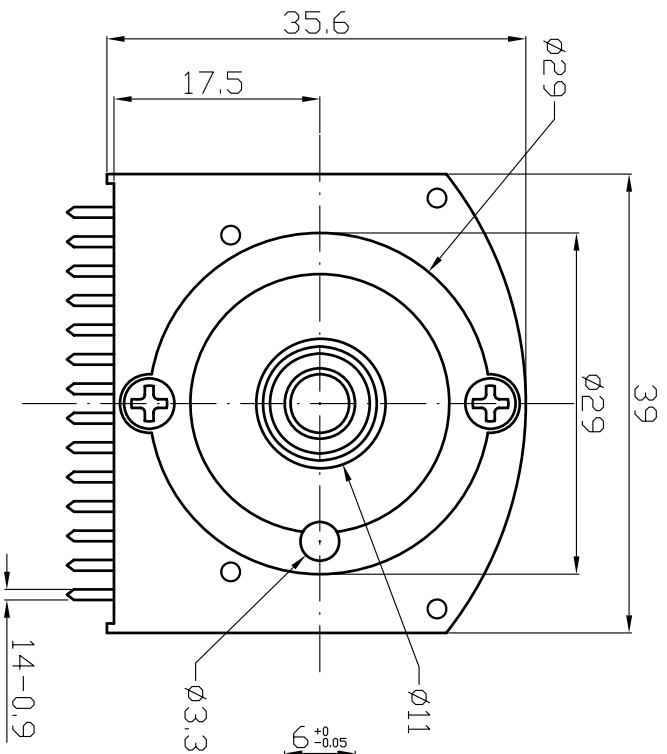
3. 機械性能 Mechanical Performance :

項目 ITEM	測試條件 Test condition	規格 Specifications
3.1 作動力 Operating force	Operating temperature : -10°C~+70°C Storage temperature : -40°C~+85°C	400±50 gf.cm
3.2 軸搖晃度 Control wobble	Shall be measured by applying a static load of 100 gf.cm to the tip of control unit.	Less than 1mm
3.3 止擋強度 Shaft stopper strength	N/A	More than 5 kgf.cm
3.4 軸套固定強度 Bushing mount strength	N/A	9 kgf.cm MIN

4. 耐久特性 Durability Characteristics :

項目 ITEM	測試條件 Test condition	規格 Specifications
4.1 操作壽命 Operating life	10,000 cycles of operating shall be performed continuously at a rate of 15~20 cycles per minute without load. After operating life test, shall be in accordance with the following specifications.	
4.2 焊錫條件 Soldering	Regarding preheating, the entire flow duration should not exceed 2 minutes, and soldering surface temperature (undersurface PCB) shall be settled with 100°C. Temperature of solder 260±5°C. Duration of dipping 4±0.5 seconds.	More than 90% of the dipped part shall be covered by solder.
4.3 焊錫耐熱性 Soldering heat resistance	Flow soldering condition : to be performed in 4±0.5 seconds Max within 260±5°C. Manual soldering in 3±0.5 seconds. Max within 350±5°C.	No abnormalities shall be observed in appearance and operation shall be assured.

核准 Approval	審核 Auditing	校對 Checked	製作 Projected
			



未標註公差	
10 以下	± 0.3
10~100	± 0.5
100 以上	± 0.8


 松暉電機工業股份有限公司
 松暉電機科技股份有限公司

規格型號: RBP39-1-1-12(R)

核准:

R&D
 2009.12.08
 黃珈琳

審核:

品管
 2009.12.08
 蘇淑英

製圖:

R&D
 2009.12.08
 蔡貝君

單位	mm	比例	1.6:1
版本	1.0	製圖日期	2009.12.08
編號	RS39-001	第三角法	

項目	修正內容	修正人	日期
△			
△			
△			
△			

修正記事