

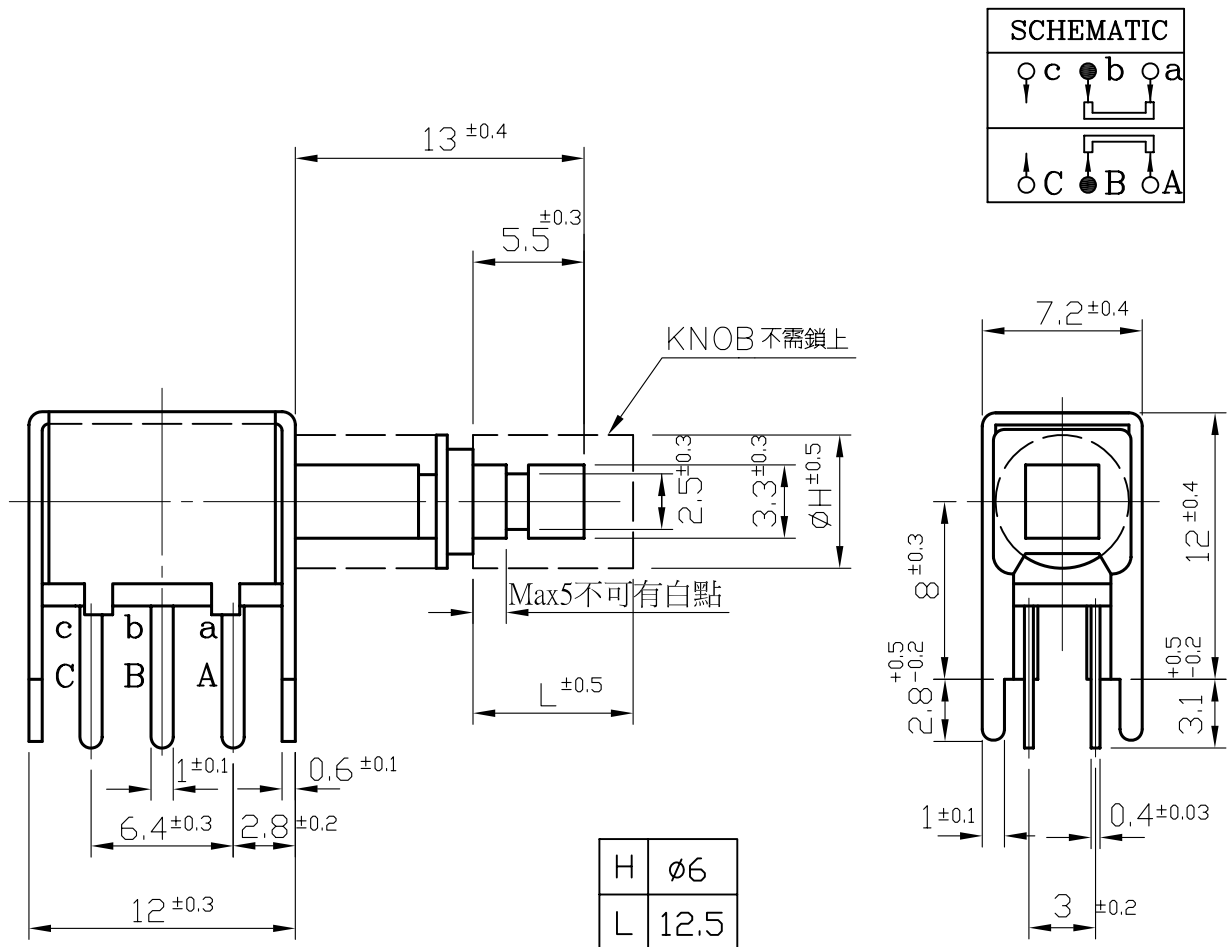
PUSH SWITCH

MODEL

SP70060F-0202-13R7-011-SN-010

SPECIFICATIONS

Rating	AC125V 0.3A
Contact Resistance	25 mΩ Max.
Insulation Resistance	DC500V-100 MΩ Min.
Withstand Voltage	AC500V-1 Minute
Operating	300±100gf
Life cycle	10000 cycles (15-20 cycles/minute)
Sizes (m.m.)	As Following Drawings



- NOTE:**
1. LOCK STROKE-2.5mm . FULL STROKE-3.5mm
  2. KNOB夾持力500g以上,但拔出時不能有結構破壞
  3. TIMING : SHORTING

Date	2006.07.25	DWN	張月琴	CHKD	何建志	APP'D	楊 2006.7.25 孟鑫
------	------------	-----	-----	------	-----	-------	----------------------