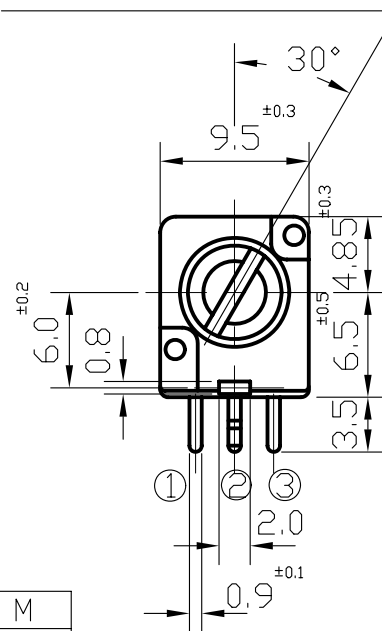
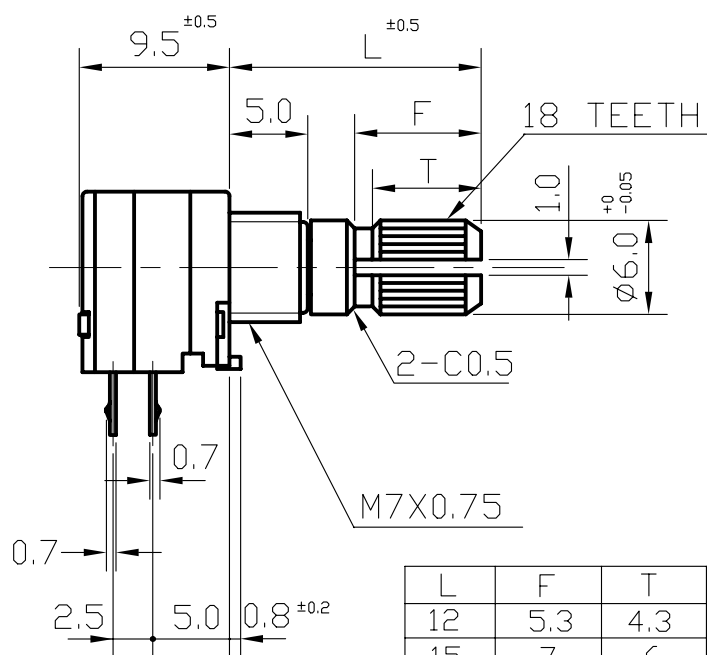
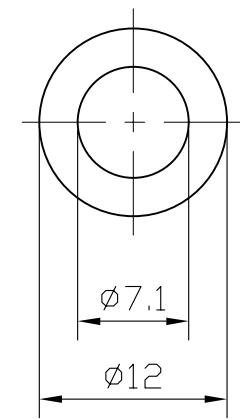
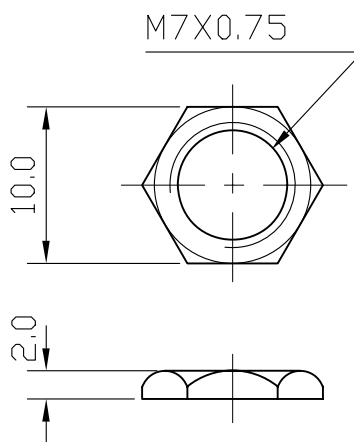
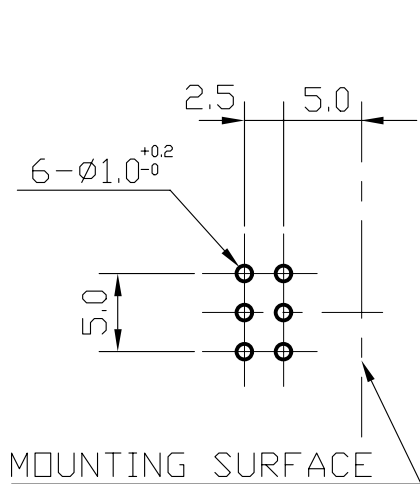


参考用

SHAFT SHOWN IN FULL C.C.W. POSITION



L	F	T	M
12	5.3	4.3	1
15	7	6	1



NUT 1PC

WASHER 1PC

P.C.B. MOUNTING HOLE DETAIL

				RD902F-20-(L)KH-XXX-0C			
No.	DATE	DESCRIPTION	PART No.	NAME			
TOL.UNLESS OTHERWISE STATED		DIMENSION	SCALE	DRAWN BY	CHECKED BY	APPROVED BY	DRAWING No.
less than	10	±0.3	2:1				
above	10~30	±0.5					
above	30~100	±1.0					
above		±5*					